



US00D368371S

# United States Patent [19] Calmeise

[11] Patent Number: **Des. 368,371**  
[45] Date of Patent: **\*\*Apr. 2, 1996**

[54] **CARRY CASE**  
[75] Inventor: **Randall W. Calmeise**, Oakwood Village, Ohio  
[73] Assignee: **Rubbermaid Incorporated**, Wooster, Ohio  
[\*\*] Term: **14 Years**  
[21] Appl. No.: **27,045**  
[22] Filed: **Aug. 11, 1994**  
[52] U.S. Cl. .... **D3/282**; D3/276; D3/292  
[58] Field of Search ..... D3/273, 274, 275, D3/276, 277, 278, 279, 280, 281, 282, 283, 292; 190/100, 107, 109, 111, 112, 115, 118, 902; 206/372, 373

5,074,413 12/1991 Ikuta et al. .... 206/320  
5,163,560 11/1992 Parrish et al. .... 206/576  
5,174,452 12/1992 Wang ..... 206/542

### OTHER PUBLICATIONS

Sell sheet, Tackle stacker; Plano Molding Company, 431 East South Street, Plano, Illinois 60545-1601. Publication date 1991.  
Catalog page, Strike force tackle box; Flambeau Products Corporation, 15981 Valplast Road, Middlefield, Ohio 44062. Publication date Aug., 1991.  
Catalog page, Star force tackle box; Flambeau Products Corporation, 15981 Valplast Road, Middlefield, Ohio 44062. Publication date Aug., 1991.  
Catalog page, Tri-level tackle box; Flambeau Products Corporation, 15981 Valplast Road, Middlefield, Ohio 44062. Publication date Aug., 1991.  
Catalog page, Fly box; Flambeau Products Corporation, 15981 Valplast Road, Middlefield, Ohio 44062. Publication date Aug., 1991.  
P. 21, Tackle accessory box; Rubbermaid Specialty Products Inc., 1147 Akron Road, Wooster, Ohio 44691. Publication date 1993.

### [56] References Cited

#### U.S. PATENT DOCUMENTS

D. 218,266 8/1970 Belokin .  
D. 242,083 10/1976 Jean .  
D. 279,728 7/1985 Kurihara ..... D3/282  
D. 281,200 11/1985 Thrush ..... D3/282  
D. 296,497 4/1988 Kime ..... D3/73  
D. 299,586 1/1989 Lanius ..... D3/38  
D. 306,936 4/1990 McMillan et al. .... D3/38  
D. 308,915 7/1990 Lanius ..... D3/38  
D. 314,667 2/1991 Hussain ..... D3/73  
D. 322,164 12/1991 Hanna et al. .... D3/30.1  
D. 324,608 3/1992 Forbes ..... D3/282  
D. 329,331 9/1992 Hobson ..... D3/78  
D. 340,803 11/1993 Bradford et al. .... D3/74  
D. 341,487 11/1993 Glos, II ..... D3/74  
D. 343,062 1/1994 Delage et al. .... D3/282  
D. 345,305 3/1994 Host ..... D9/423  
D. 345,650 4/1994 Boyd ..... D12/423  
D. 347,114 5/1994 Tengvall ..... D3/281  
D. 347,731 6/1994 Hayakawa et al. .... D3/282  
3,305,076 2/1967 Fleenor ..... 206/16  
3,583,556 6/1971 Wagner ..... 206/16  
3,967,869 7/1976 Jackson ..... 312/270  
4,118,086 10/1978 Kneier ..... 312/270  
4,344,646 8/1982 Michel ..... 292/87  
5,010,988 4/1991 Brown ..... 190/104

*Primary Examiner*—Ted Shooman  
*Assistant Examiner*—Philip Hyder  
*Attorney, Agent, or Firm*—Richard B. O'Planick; Lisa B. Riedesel

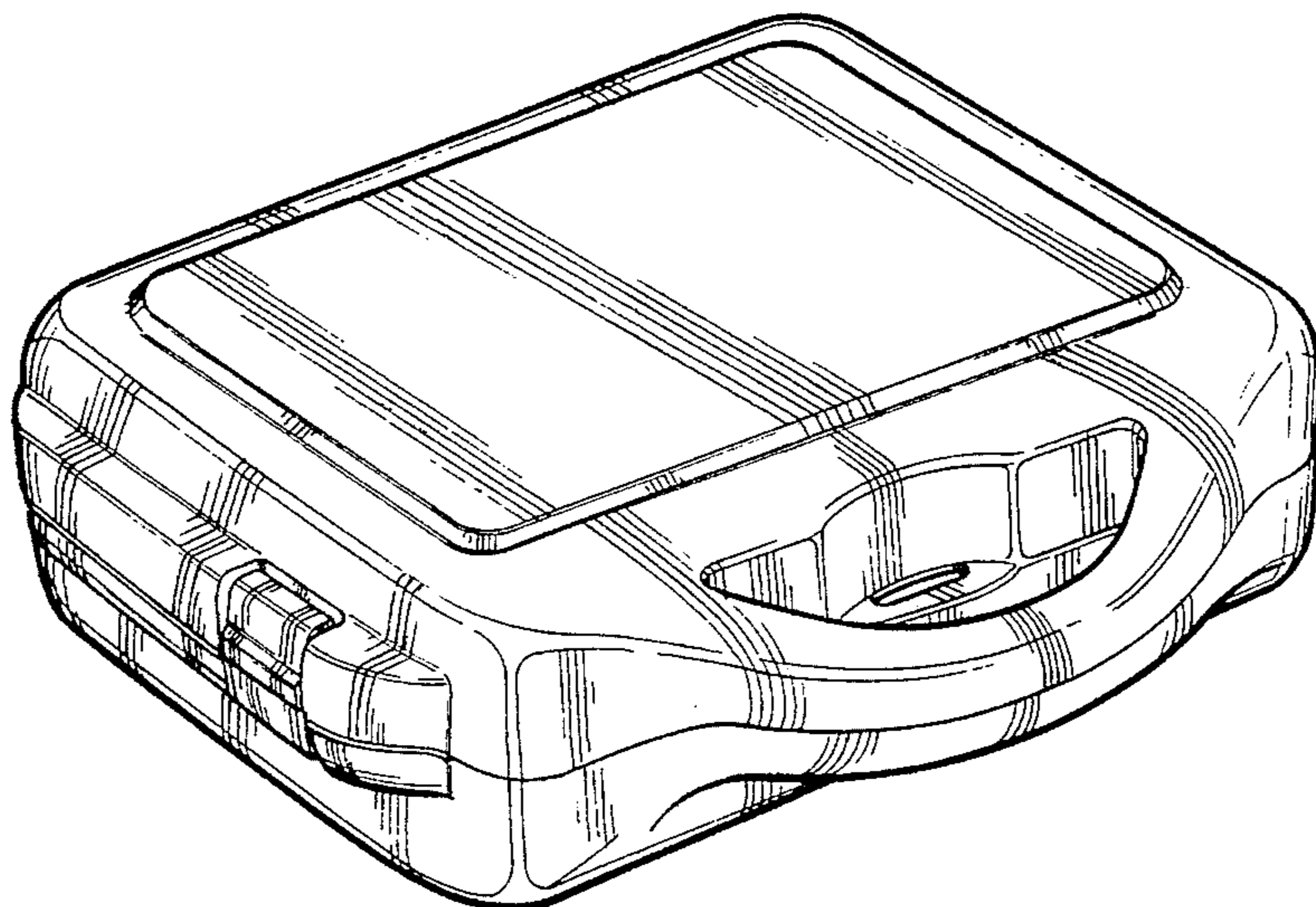
### [57] CLAIM

The ornamental design for a carry case, as shown and described.

### DESCRIPTION

FIG. 1 is a top left front perspective view of a carry case showing my new design;  
FIG. 2 is a top plan view thereof;  
FIG. 3 is a left side elevational view thereof; the right side elevational view being a mirror image;  
FIG. 4 is a front elevational view thereof;  
FIG. 5 is a rear elevational view thereof; and,  
FIG. 6 is a bottom plan view thereof.

1 Claim, 3 Drawing Sheets



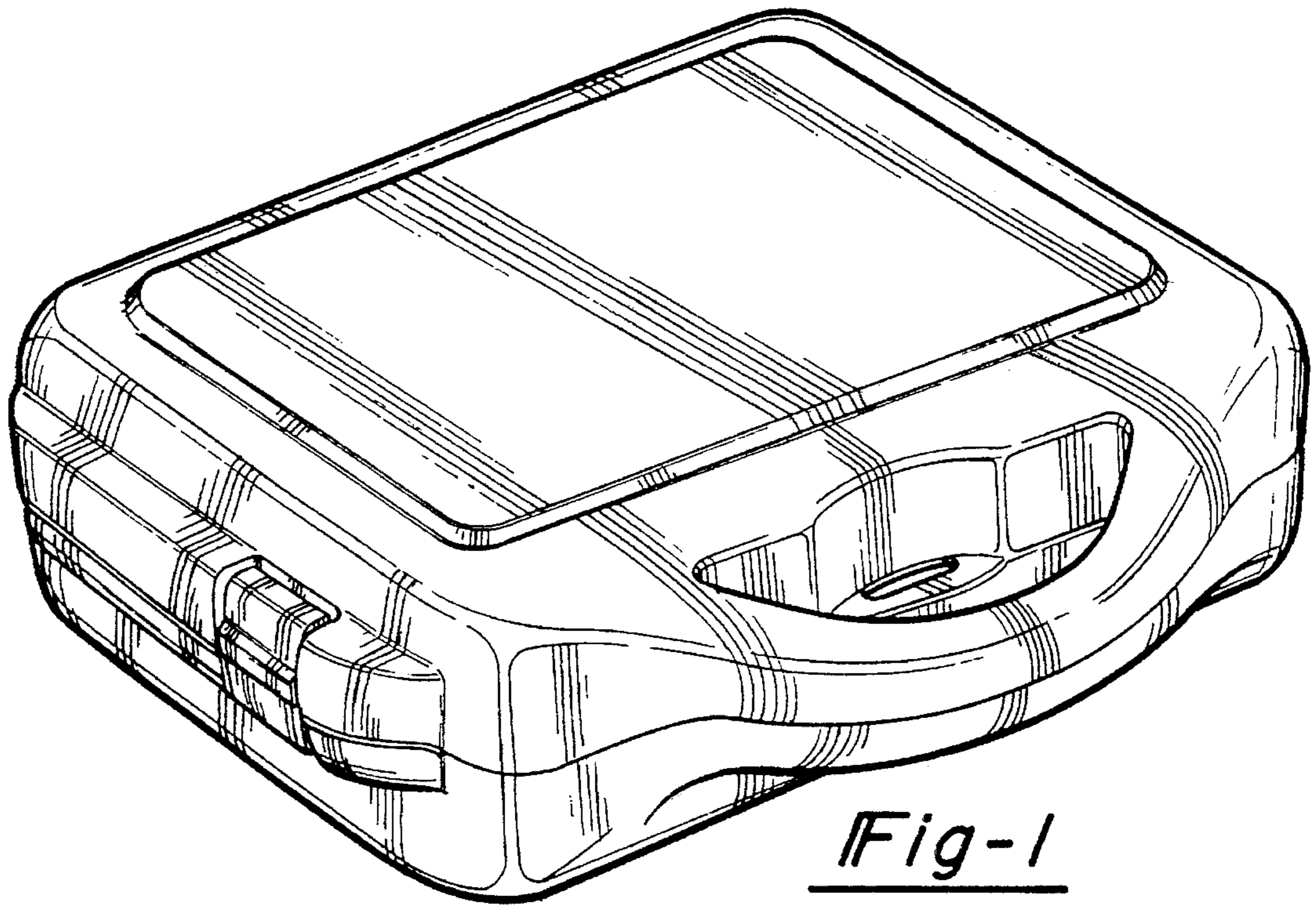


Fig-1

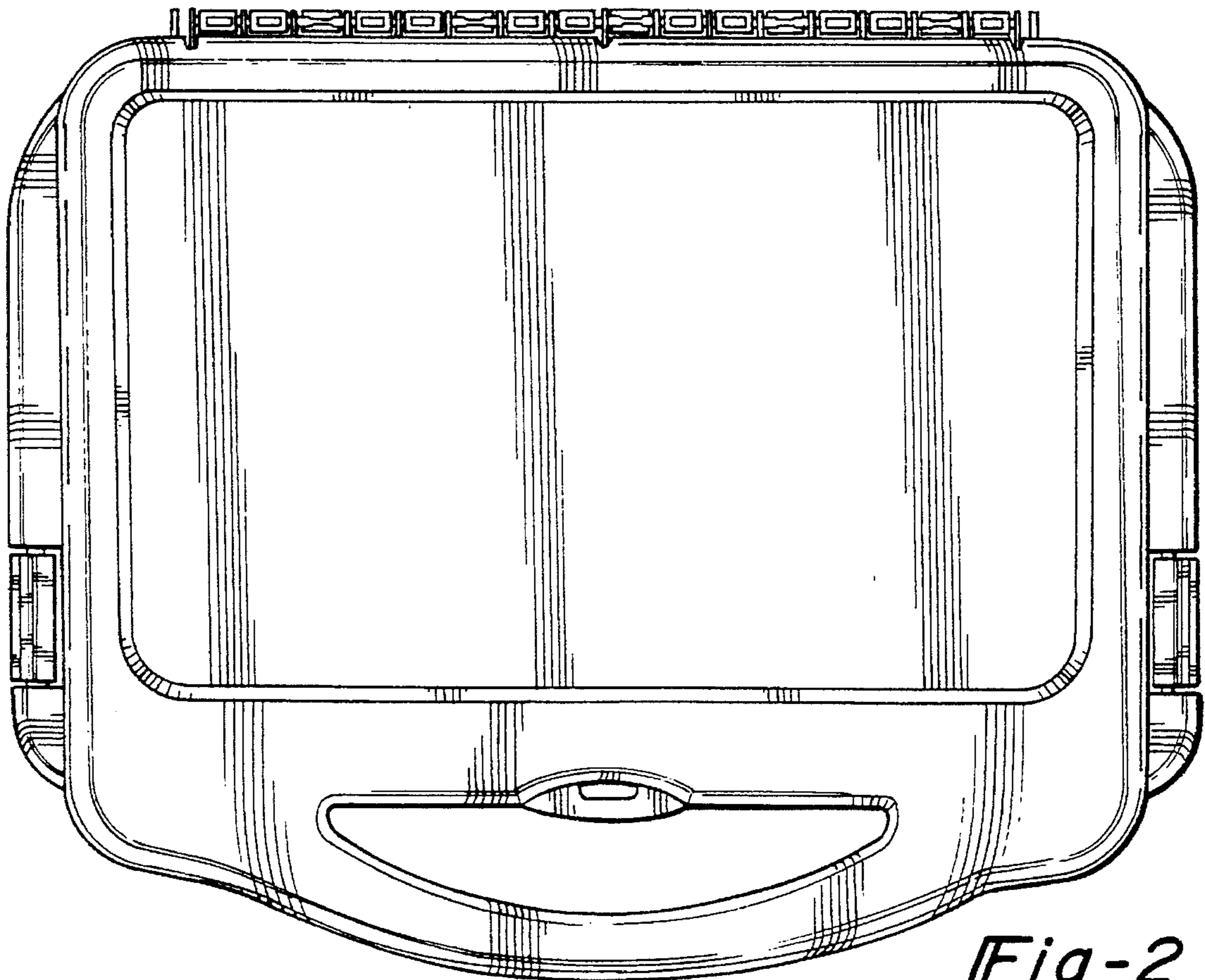


Fig-2

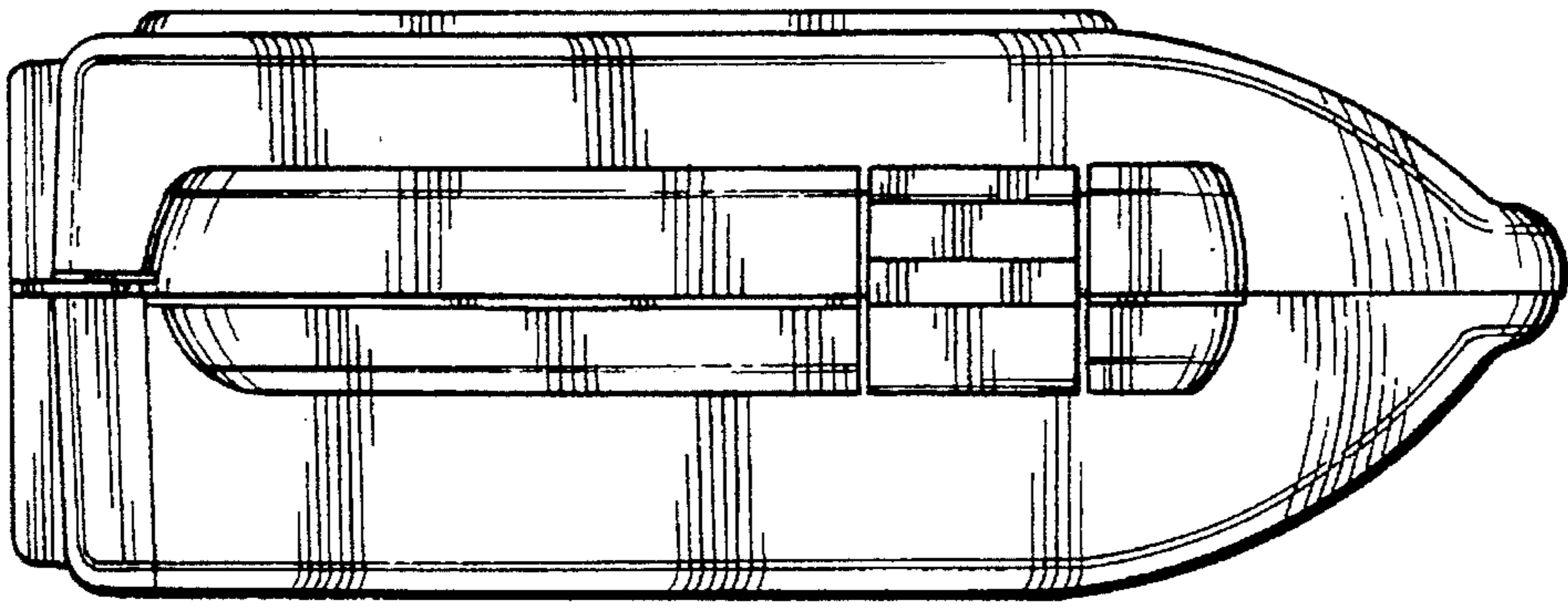


Fig-3

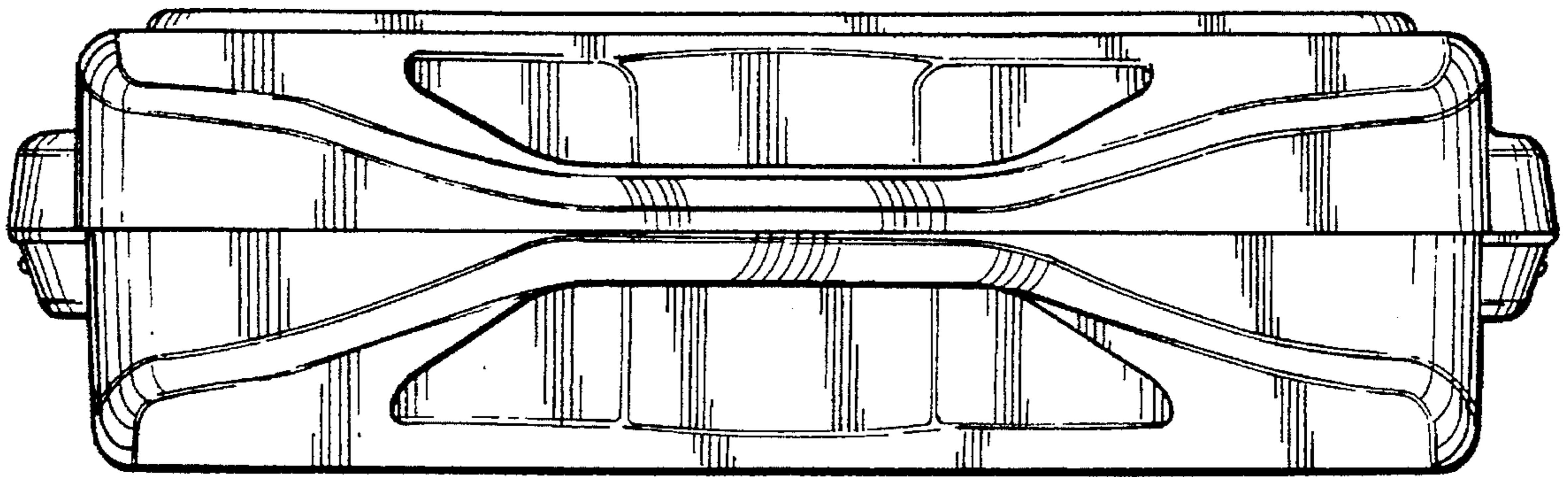


Fig-4

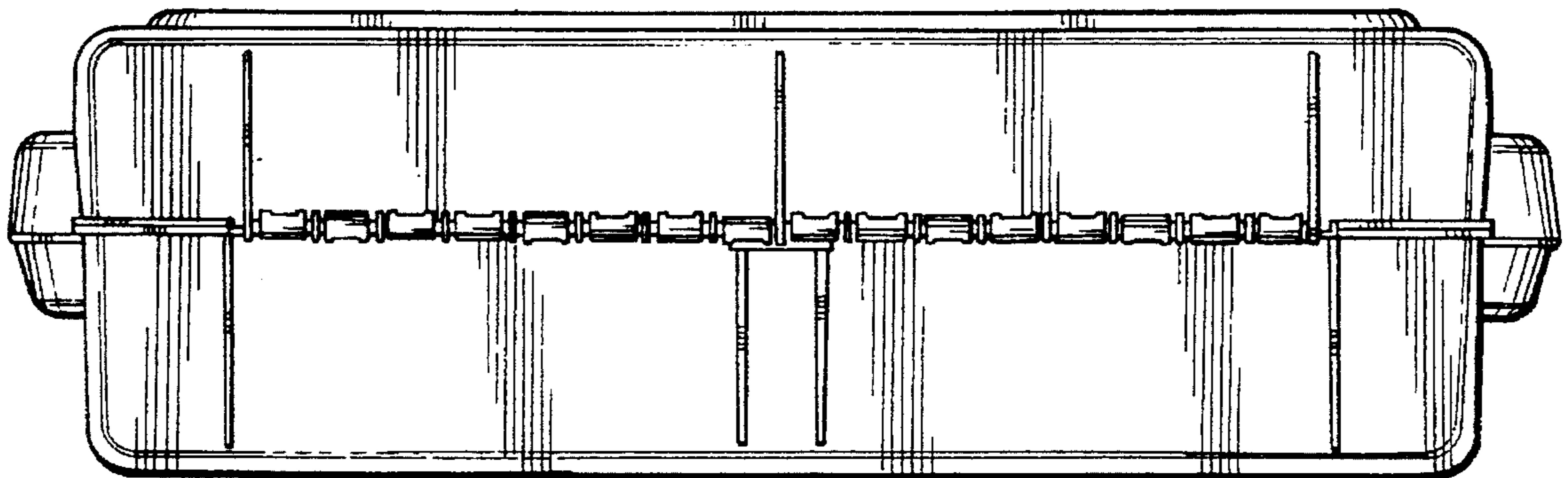


Fig-5

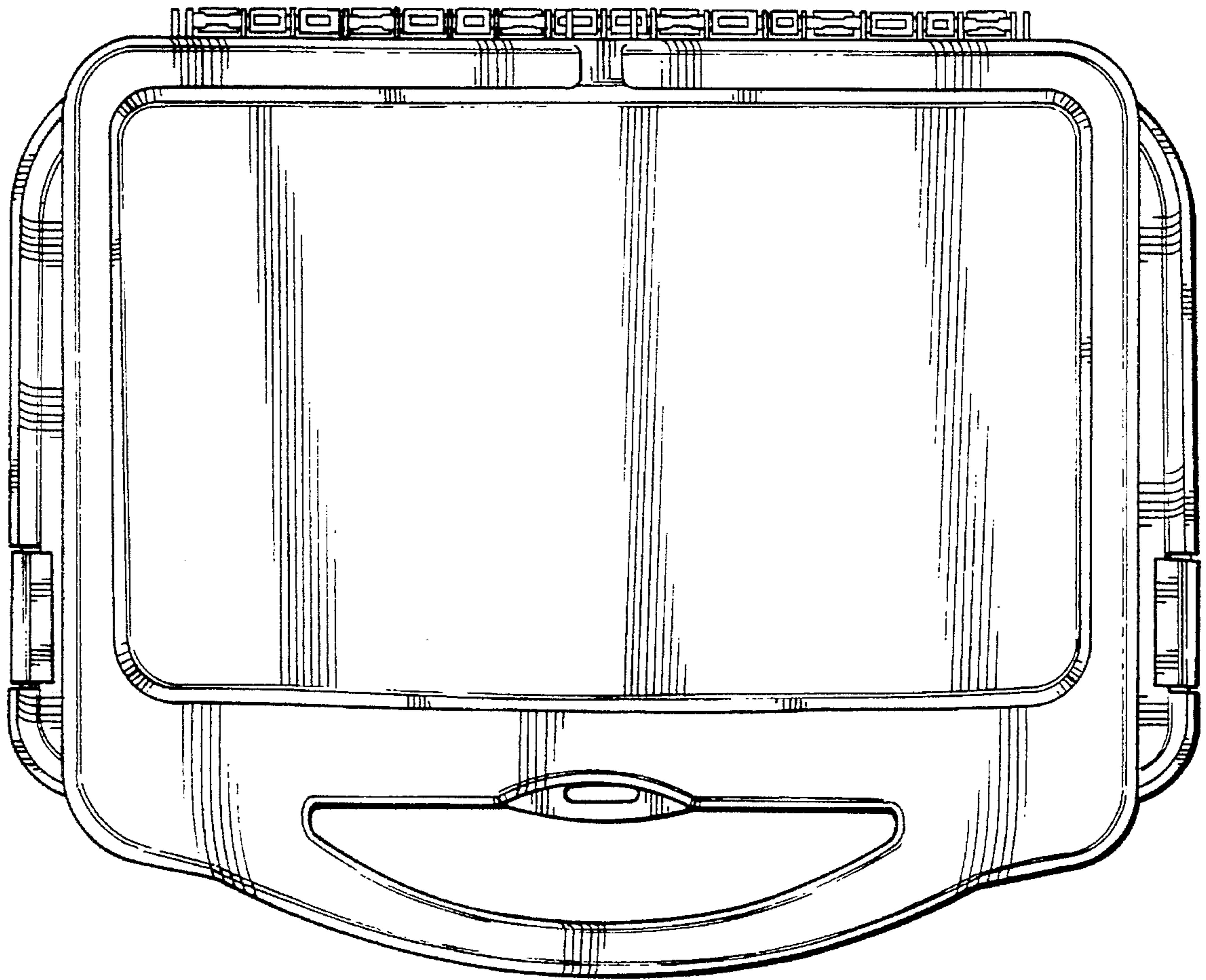


Fig-6