



US00D368370S

United States Patent [19]

[11] Patent Number: **Des. 368,370**

Tawil

[45] Date of Patent: ****Apr. 2, 1996**

[54] BRIEFCASE

2,515,605 7/1950 Lifton 190/127
5,127,500 7/1992 Mitchell 190/902

[76] Inventor: **Abraham I. Tawil**, 2334 Ocean Pkwy.,
Brooklyn, N.Y. 11223

Primary Examiner—Ted Shooman
Assistant Examiner—Philip Hyder
Attorney, Agent, or Firm—Ezra Sutton

[**] Term: **14 Years**

[57] CLAIM

[21] Appl. No.: **36,756**

The ornamental design for a briefcase, as shown and described.

[22] Filed: **Mar. 27, 1995**

Related U.S. Application Data

DESCRIPTION

[62] Division of Ser. No. 3,598, Jan. 11, 1993, Pat. No. Des. 356,678.

FIG. 1 is a perspective view of a briefcase showing my new design;

[52] U.S. Cl. **D3/276**; D3/290; D3/900

FIG. 2 is a front elevational view thereof;

[58] Field of Search D3/276, 274, 278,
D3/283, 284, 285, 286, 290, 315; 190/109,
110, 112, 115, 119, 127, 900, 902, 103

FIG. 3 is a rear elevational view thereof;

FIG. 4 is a left side elevational view thereof;

FIG. 5 is a right side elevational view thereof;

FIG. 6 is a top plan view thereof;

FIG. 7 is a bottom plan view thereof;

FIG. 8 is a perspective view of the briefcase showing the interior pocket; and,

FIG. 9 is a front elevational view thereof with the front flap opened.

The straps are shown fragmentarily in FIGs. 4, 5, and 6, for ease of illustration.

[56] References Cited

U.S. PATENT DOCUMENTS

D. 132,618	6/1942	Russell	D3/284
D. 135,359	3/1943	Boyar	D3/290
D. 254,819	4/1980	Harrison	D3/286
D. 315,985	4/1991	Gerch et al.	D3/283
D. 329,330	9/1992	Pardo	D3/290
1,096,553	3/1914	Mashek	190/902

1 Claim, 4 Drawing Sheets

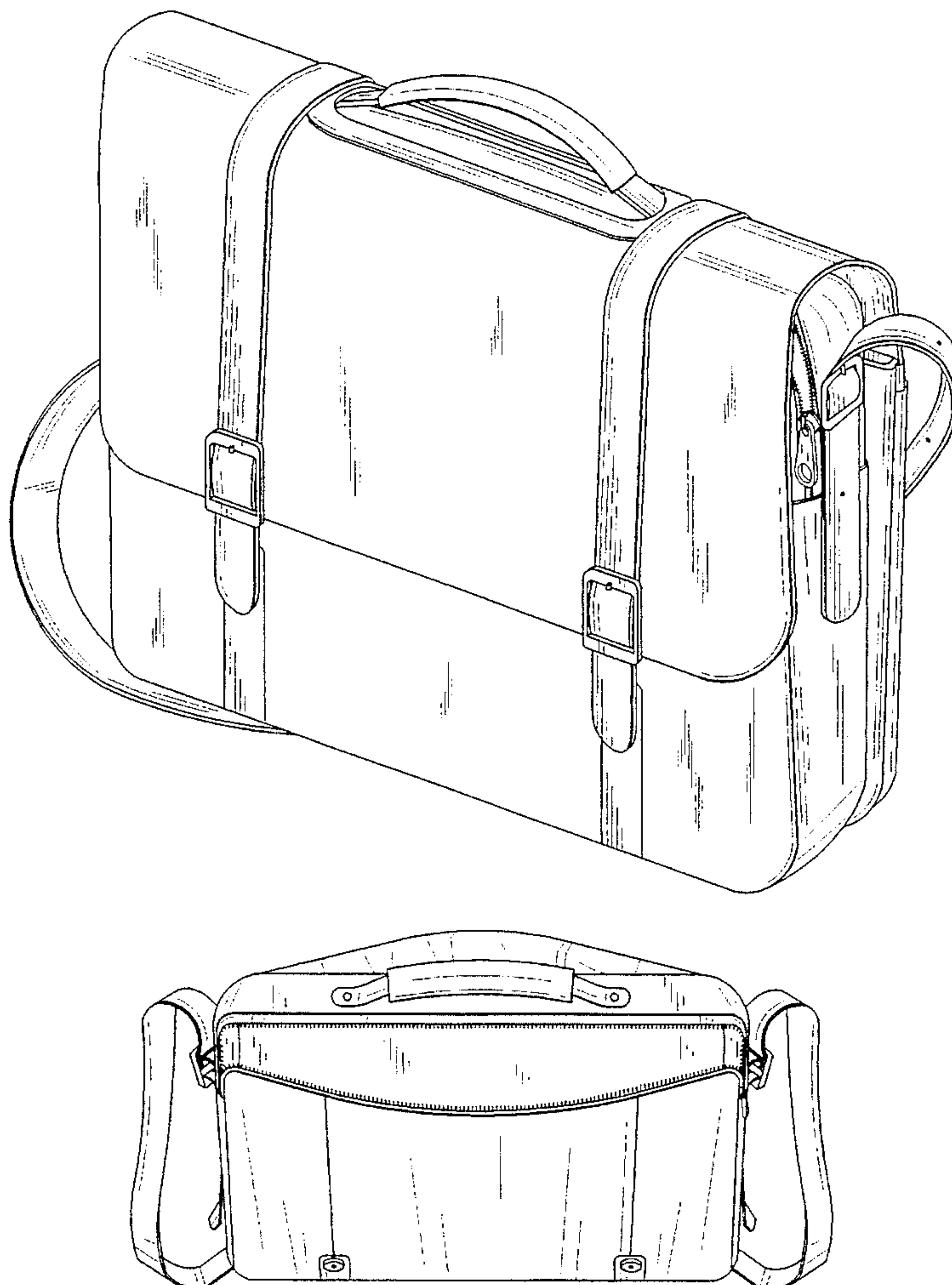




FIG. 1

FIG. 2

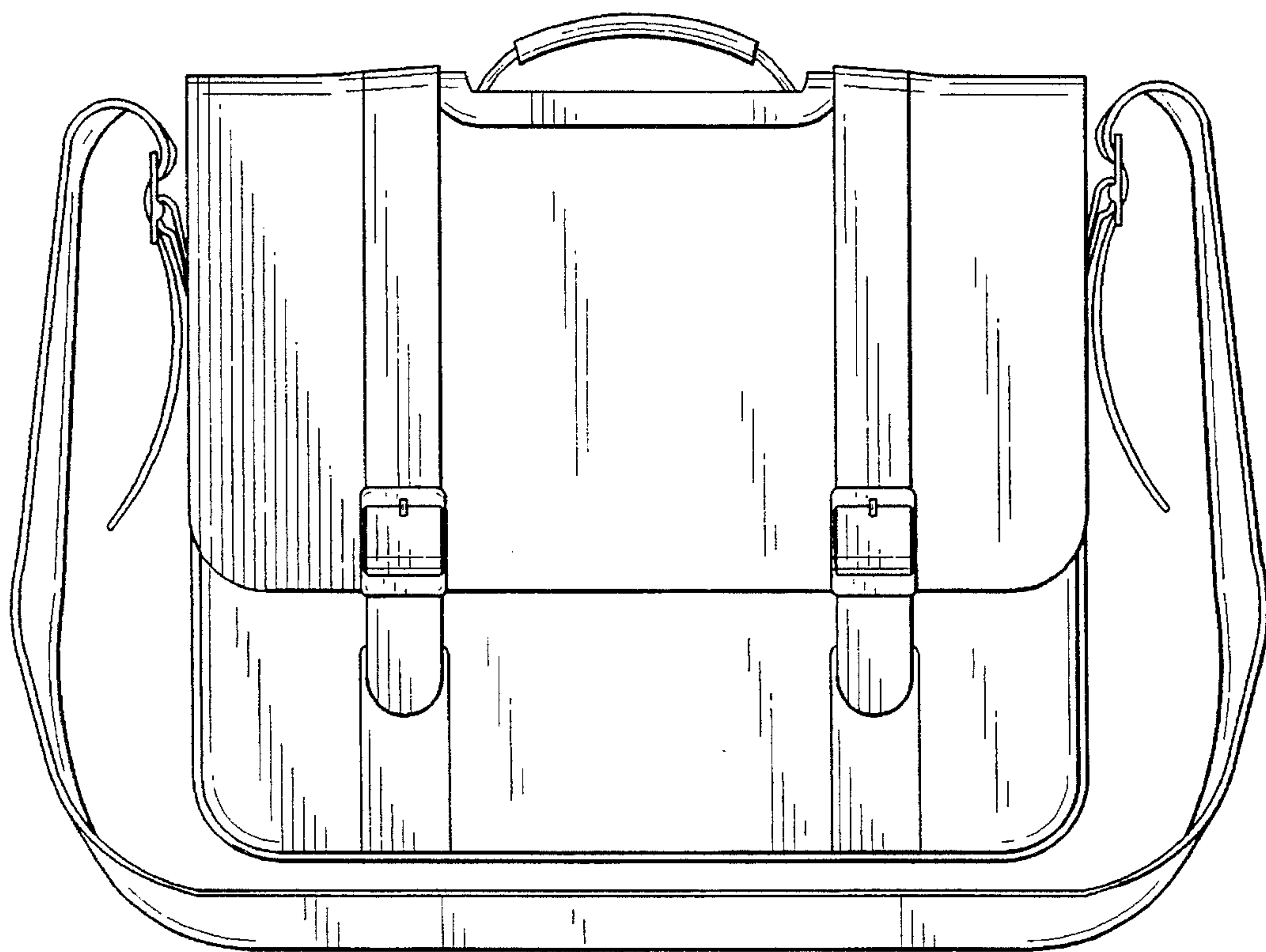


FIG. 3

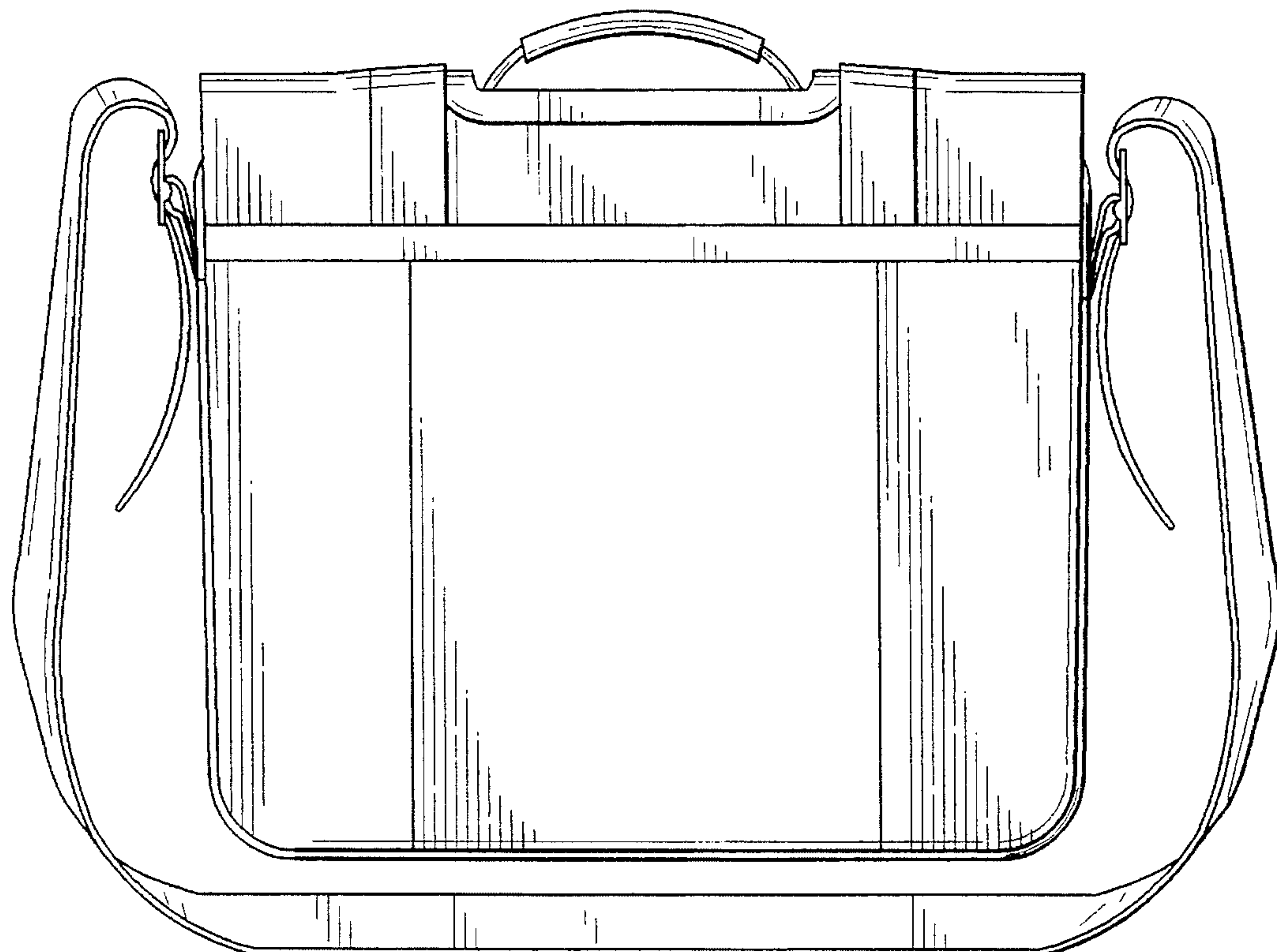


FIG. 4

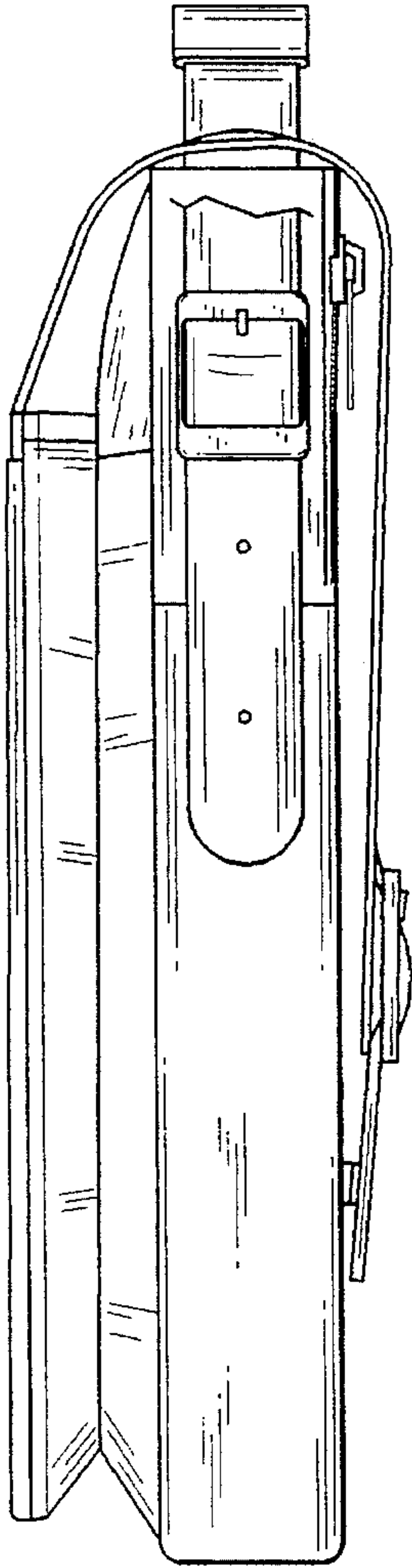


FIG. 5

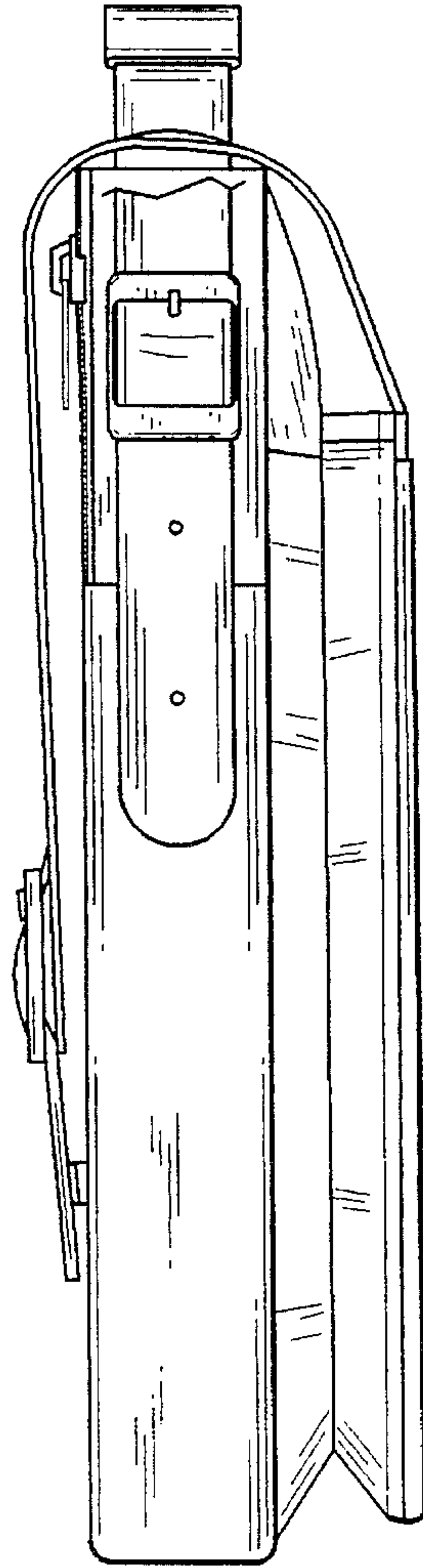


FIG. 6

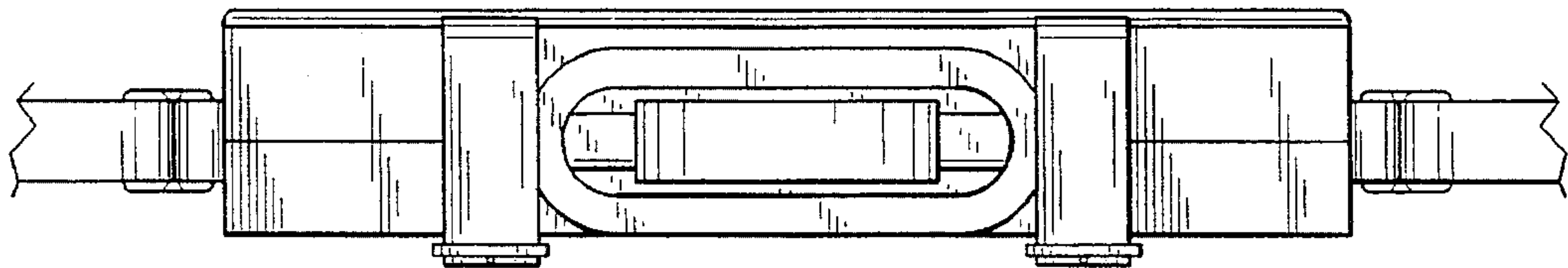


FIG. 7

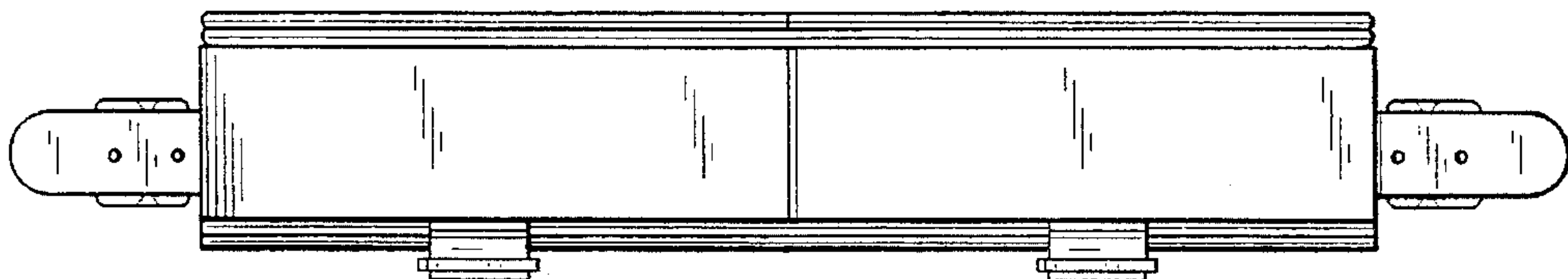


FIG. 8

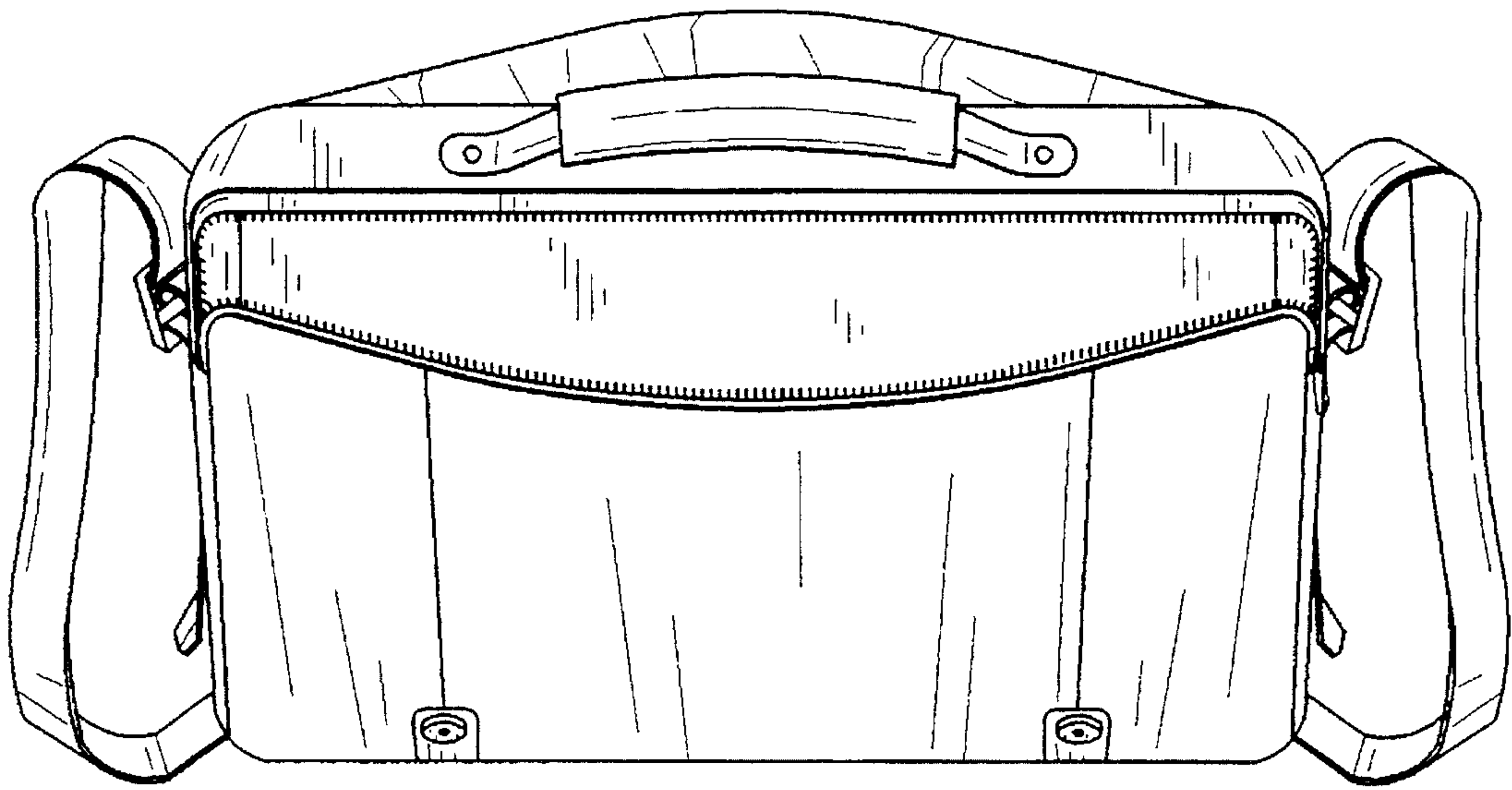


FIG. 9

