



US00D368365S

# United States Patent [19]

Castilla et al.

[11] Patent Number: **Des. 368,365**

[45] Date of Patent: **\*\*Apr. 2, 1996**

[54] **HOLSTER FOR A RADIO PAGER**

[75] Inventors: **Jorge N. Castilla**, Lake Worth; **Jeffrey S. King**, Boynton Beach, both of Fla.; **Mehmet T. Ergelen**, Rochester, N.Y.; **Mark B. Malon**, Palm Beach Gardens, Fla.

[73] Assignee: **Motorola, Inc.**, Schaumburg, Ill.

[\*\*] Term: **14 Years**

[21] Appl. No.: **33,147**

[22] Filed: **Jan. 5, 1995**

[52] U.S. Cl. .... **D3/218**

[58] Field of Search ..... D3/218, 215, 219,  
D3/224, 226; 224/236, 240, 252, 253, 267,  
904, 913

[56] **References Cited**

**U.S. PATENT DOCUMENTS**

D. 329,749 9/1992 Scheid ..... D3/218

D. 345,646 4/1994 Knapp ..... D3/218  
4,479,596 10/1984 Swanson ..... D3/218 X  
4,775,083 10/1988 Burger et al. .... 224/240 X

*Primary Examiner*—Doris V. Coles  
*Assistant Examiner*—Catherine R. Oliver  
*Attorney, Agent, or Firm*—Philip P. Macnak

[57] **CLAIM**

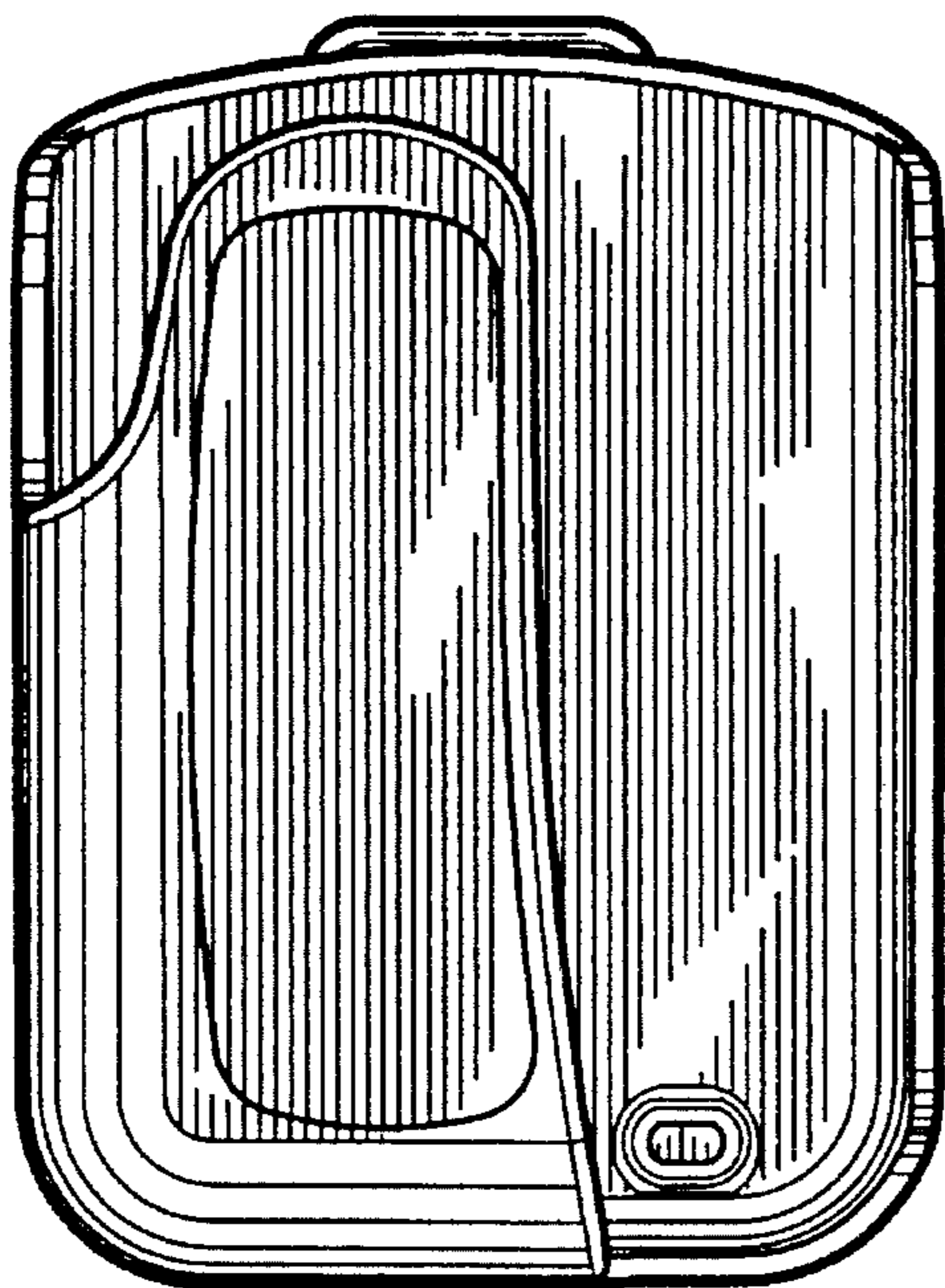
The ornamental design for a holster for a radio pager, as shown and described.

**DESCRIPTION**

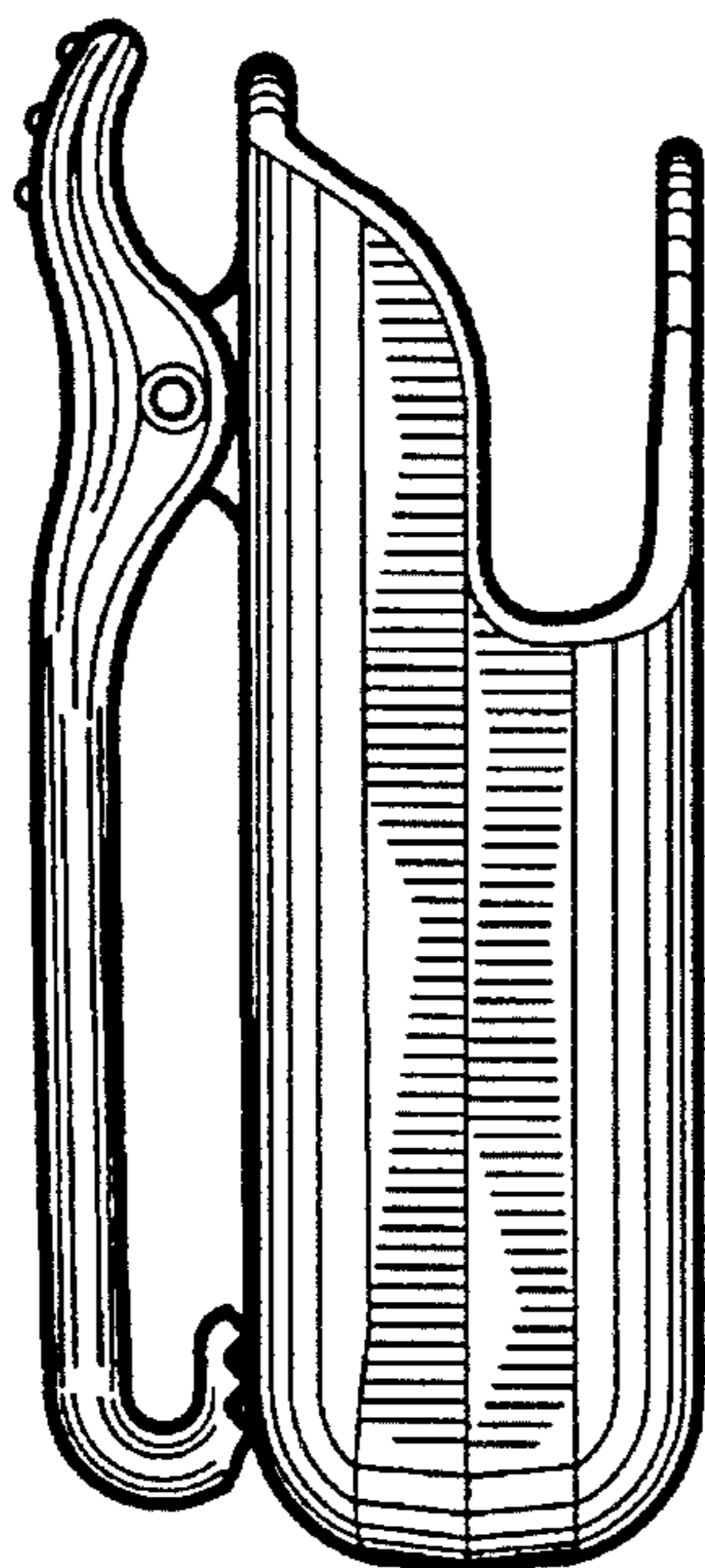
FIG. 1 is a front elevational view of a holster for a radio pager showing my new design;  
FIG. 2 is a left side elevational view thereof;  
FIG. 3 is a top elevational view thereof;  
FIG. 4 is a rear elevational view thereof;  
FIG. 5 is a bottom elevational view thereof;  
FIG. 6 is a right side elevational view thereof; and,  
FIG. 7 is a top, right and front perspective view thereof.

**1 Claim, 3 Drawing Sheets**

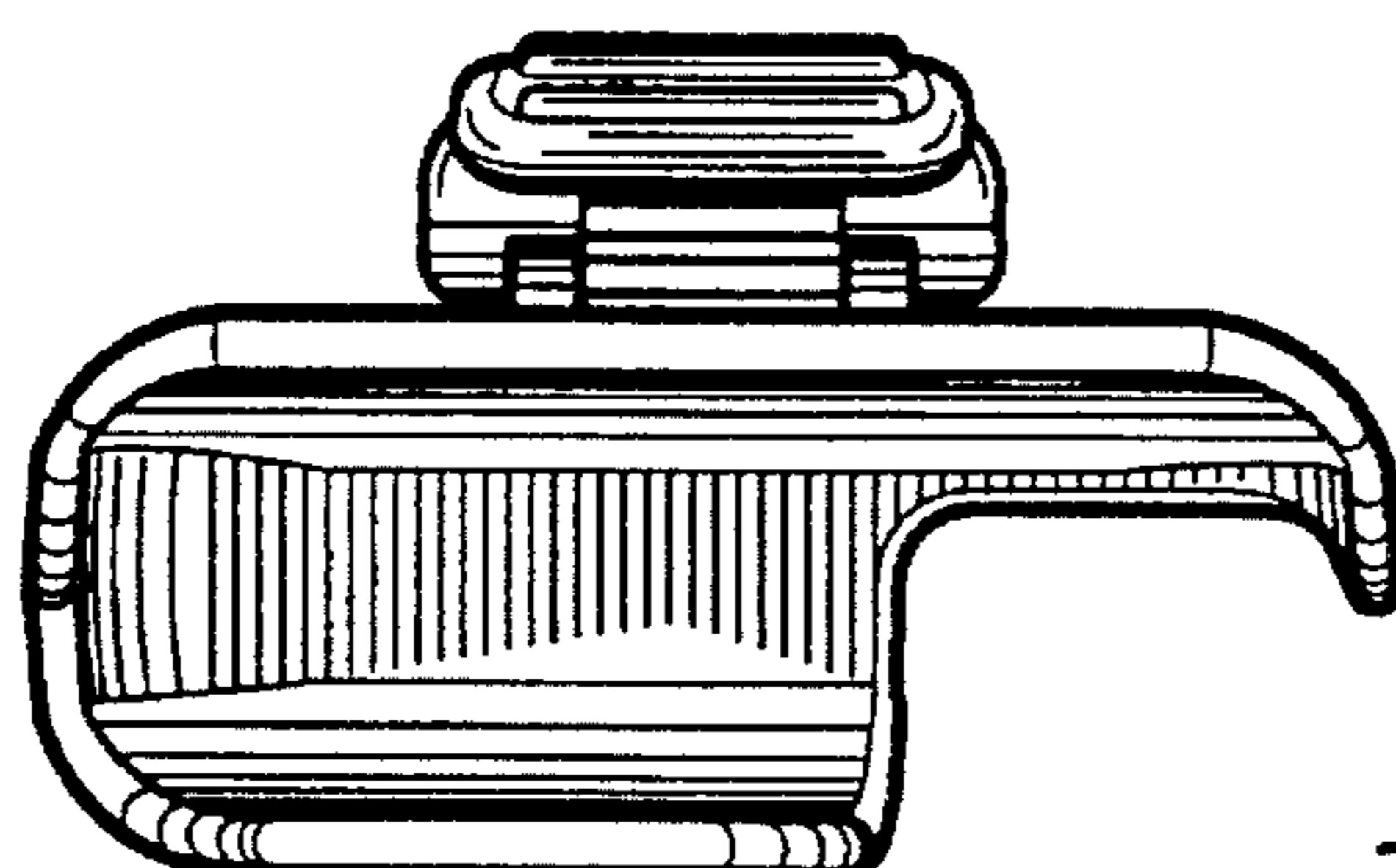




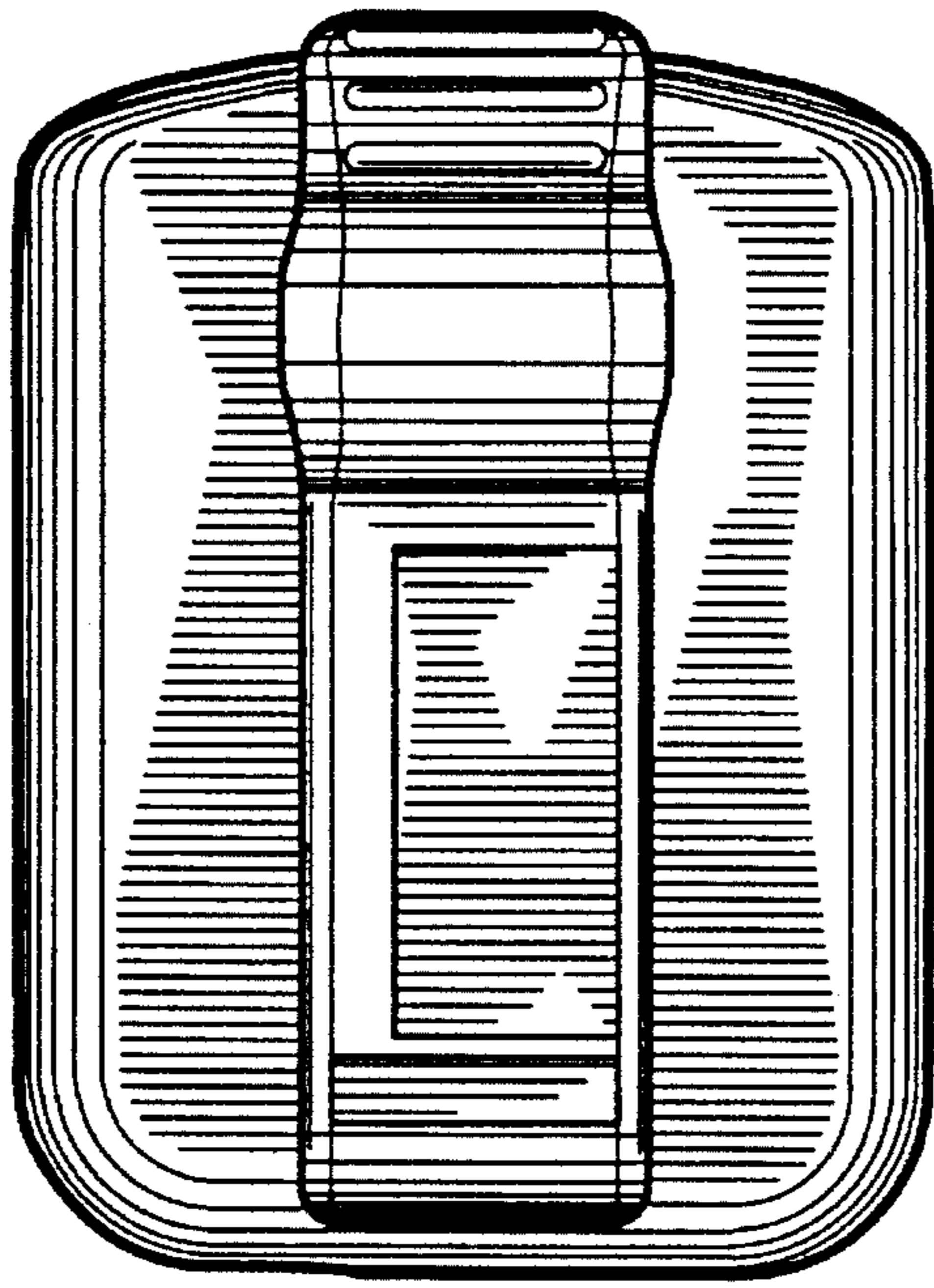
*FIG. 1*



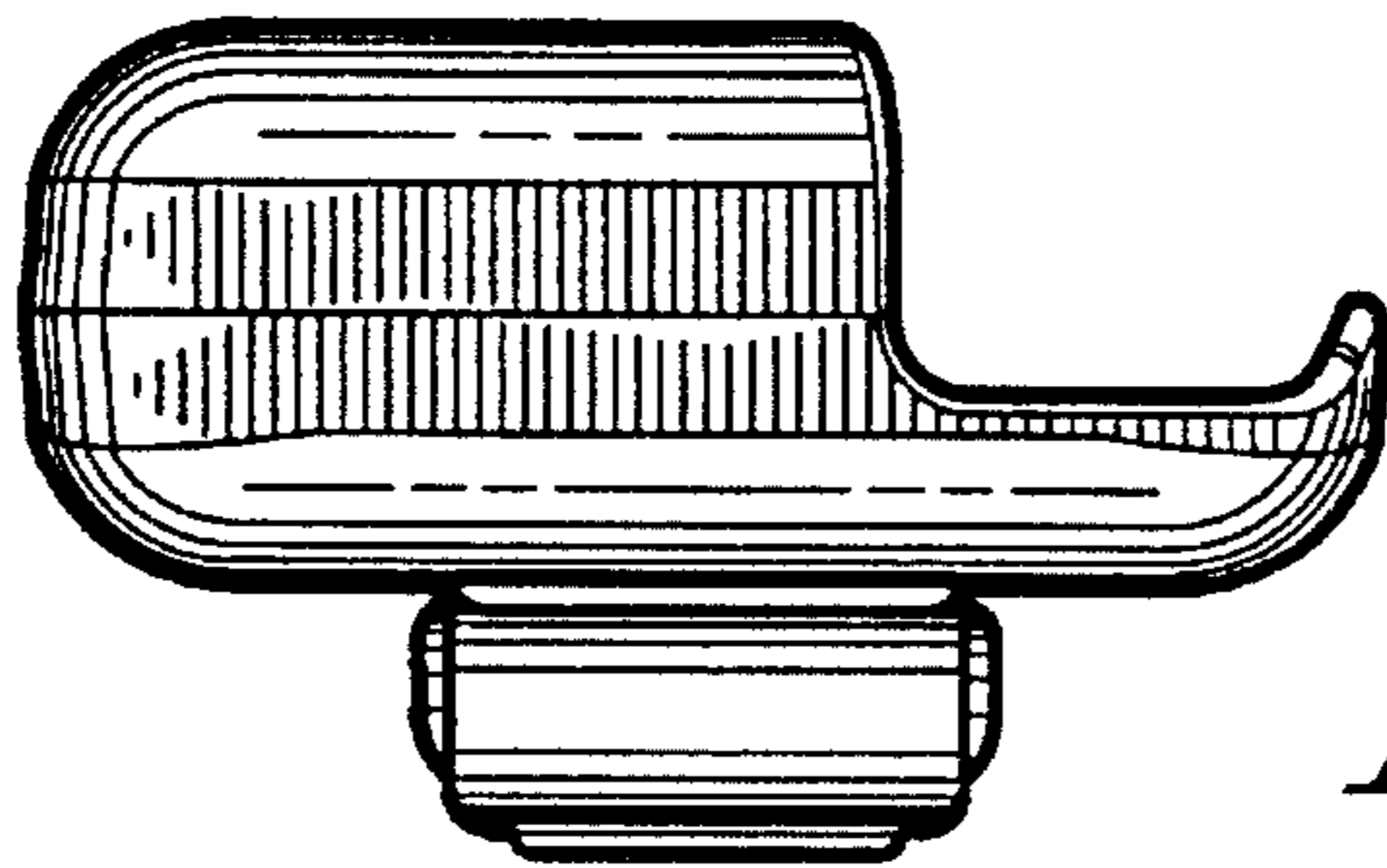
*FIG. 2*



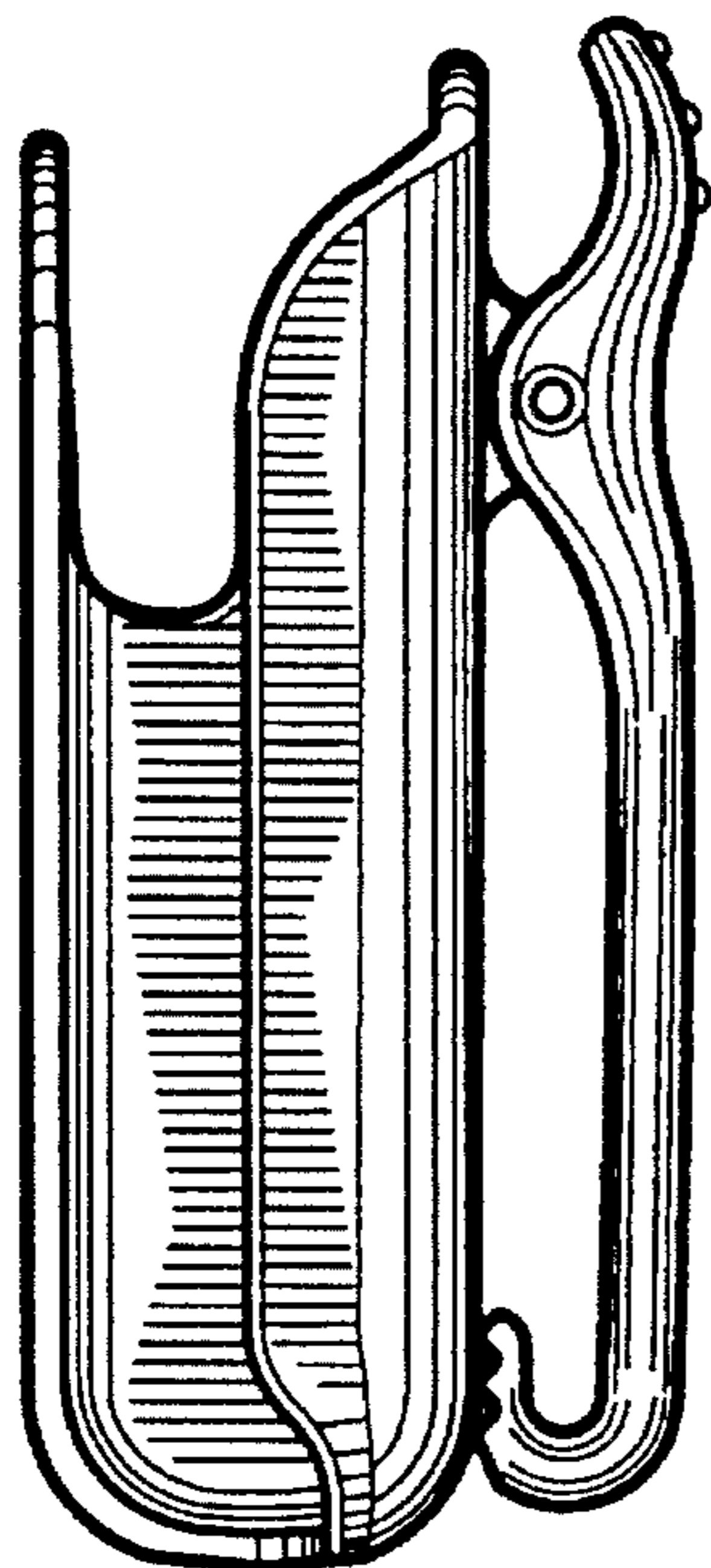
*FIG. 3*



*FIG. 4*



*FIG. 5*



*FIG. 6*



***FIG. 7***