



US00D368360S

United States Patent [19] Wolfe

[11] Patent Number: **Des. 368,360**

[45] Date of Patent: ****Apr. 2, 1996**

[54] **CLEATED SOLE PLATE**
[75] Inventor: **Randall Wolfe**, Beaverton, Oreg.
[73] Assignee: **Nike, Inc.**, Beaverton, Oreg.
[**] Term: **14 Years**
[21] Appl. No.: **42,032**
[22] Filed: **Aug. 16, 1995**

4,914,838 4/1990 Ihlenburg 36/128 X
5,351,421 10/1994 Miers 36/134 X
5,437,112 8/1995 Johnston 36/128

OTHER PUBLICATIONS

Washington Post—Health Sec.—Mar. 22, 1994—p. 16—Soccer Shoe at bottom.
“The Instapump RS”, Reebok Advertisement, *Sidekicks International*, Mar./Apr. 1995.
“A Soccer Shoe Designed for Turns and Pivots”, Lawrence Prouix, *The Washington Post—Health Section*, Mar. 22, 1995, p. 16 (col. 1, bottom).

Related U.S. Application Data

[63] Continuation-in-part of Ser. No. 35,741, Mar. 6, 1995.
[52] **U.S. Cl.** **D2/962; D2/906**
[58] **Field of Search** **D2/906, 962; 36/126, 36/128, 134, 113–115**

Primary Examiner—Nelson C. Holtje
Attorney, Agent, or Firm—Banner & Allegretti, Ltd.

[57] CLAIM

The ornamental design for a cleated sole plate, as shown and described.

[56] References Cited

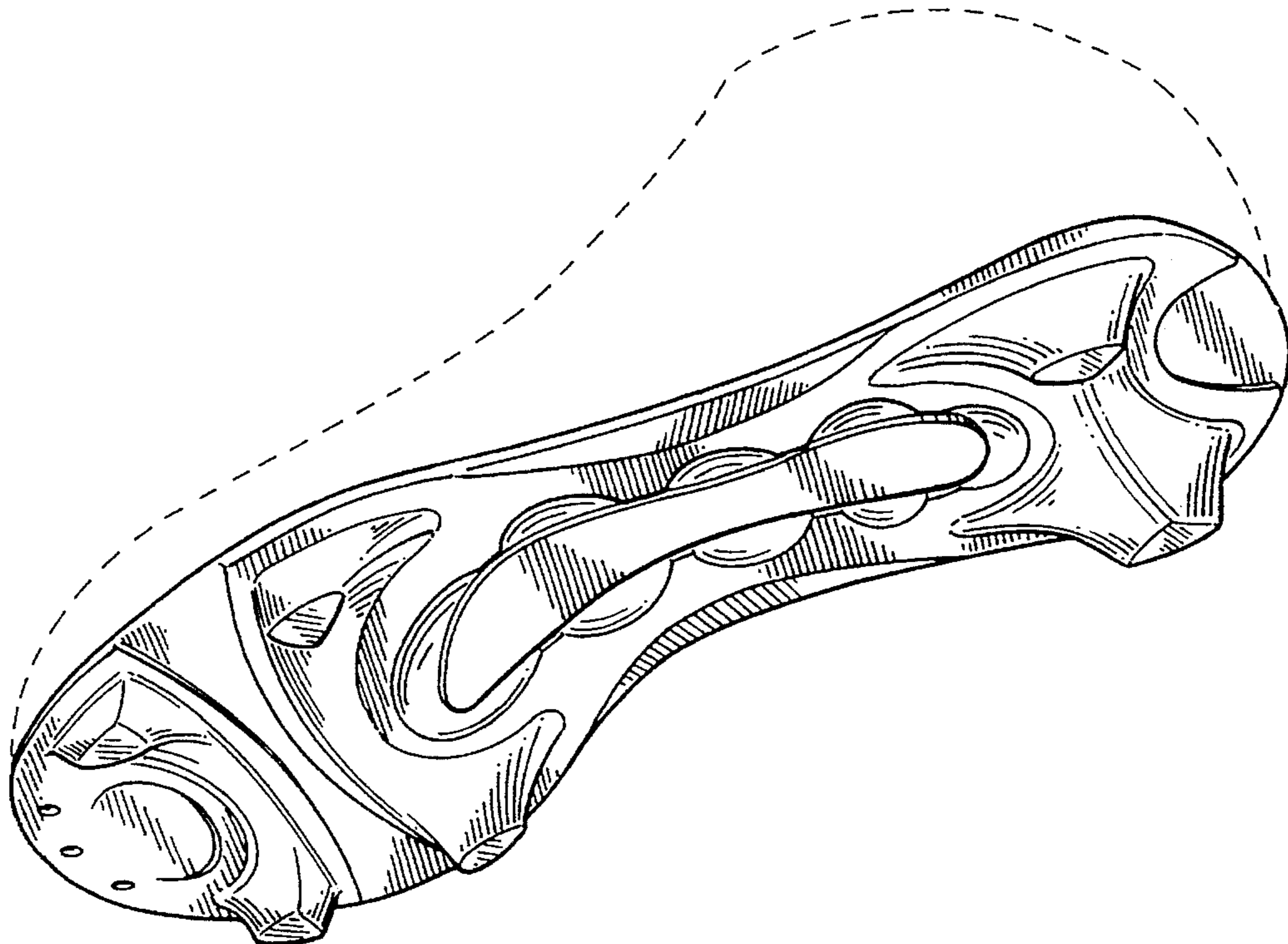
U.S. PATENT DOCUMENTS

D. 271,159 11/1983 Muller-Feigelstock .
D. 272,390 1/1984 Muller-Feigelstock .
D. 272,771 2/1984 Feigelstock D6/906
D. 272,772 2/1984 Kohno .
D. 290,903 7/1987 Inohara et al. .
D. 307,211 4/1990 Arai .
D. 312,528 12/1990 Ihlenburg .
D. 313,112 12/1990 Eisenbach .
D. 322,510 12/1991 Miller .
1,867,219 7/1932 Harper .
3,063,171 11/1962 Hollander .
3,127,687 4/1964 Hollister et al. .
3,341,952 9/1967 Dassler .
4,315,374 2/1982 Sneeringer .

DESCRIPTION

FIG. 1 is a bottom perspective view of a cleated sole plate showing my new design;
FIG. 2 is a bottom plan view thereof;
FIG. 3 is a front elevational view thereof;
FIG. 4 is a rear elevational view thereof;
FIG. 5 is a right side elevational view thereof; and,
FIG. 6 is a left side elevational view thereof.
The broken line showing of a shoe upper in the figures is merely for illustrational purposes and forms no part of the claimed design.

1 Claim, 3 Drawing Sheets



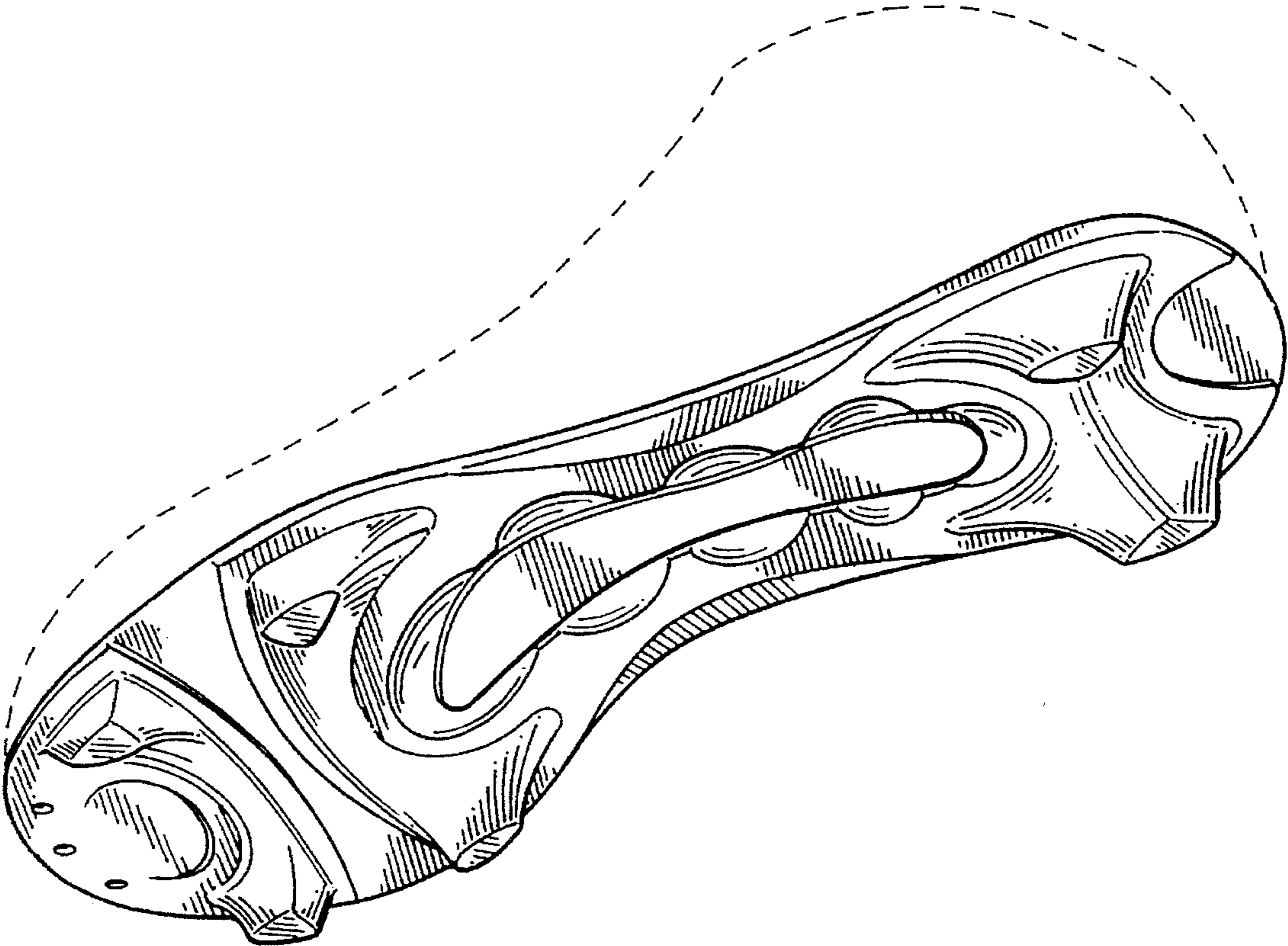


FIG. 1

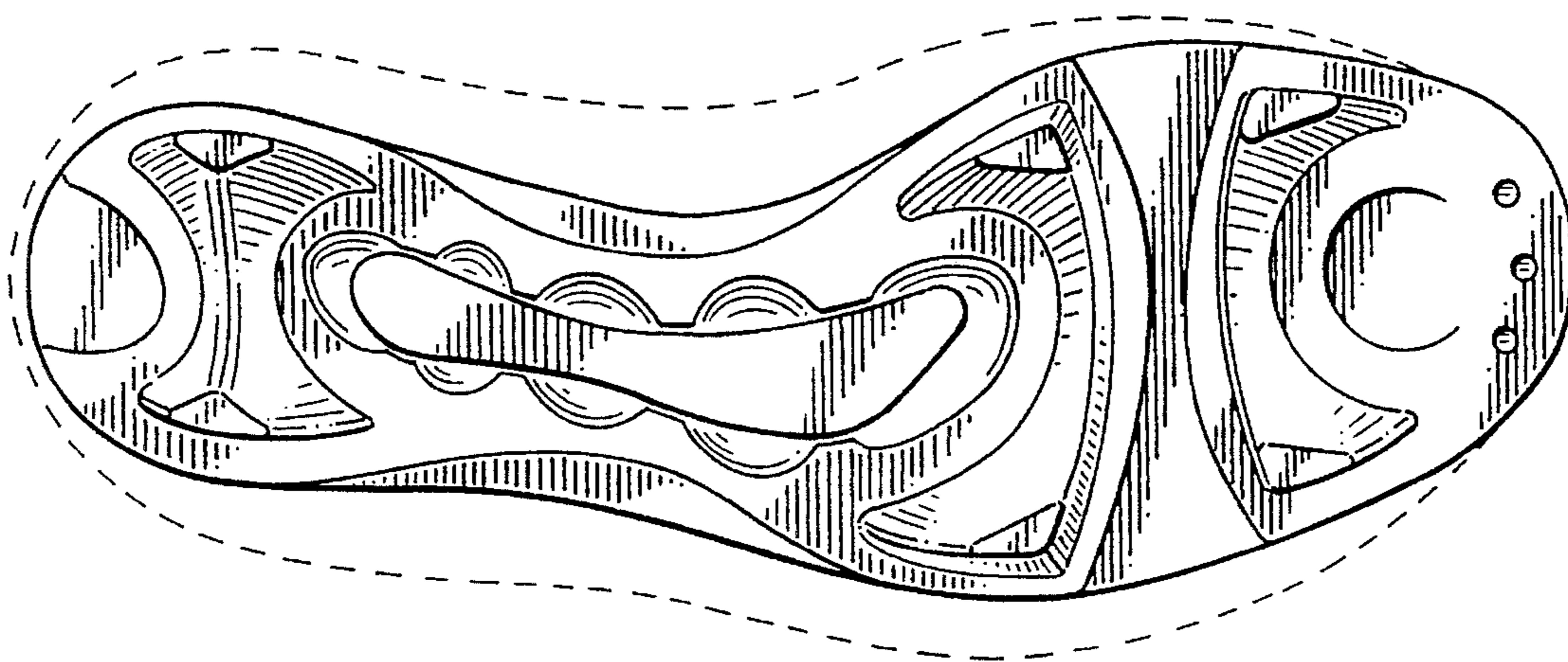


FIG. 2

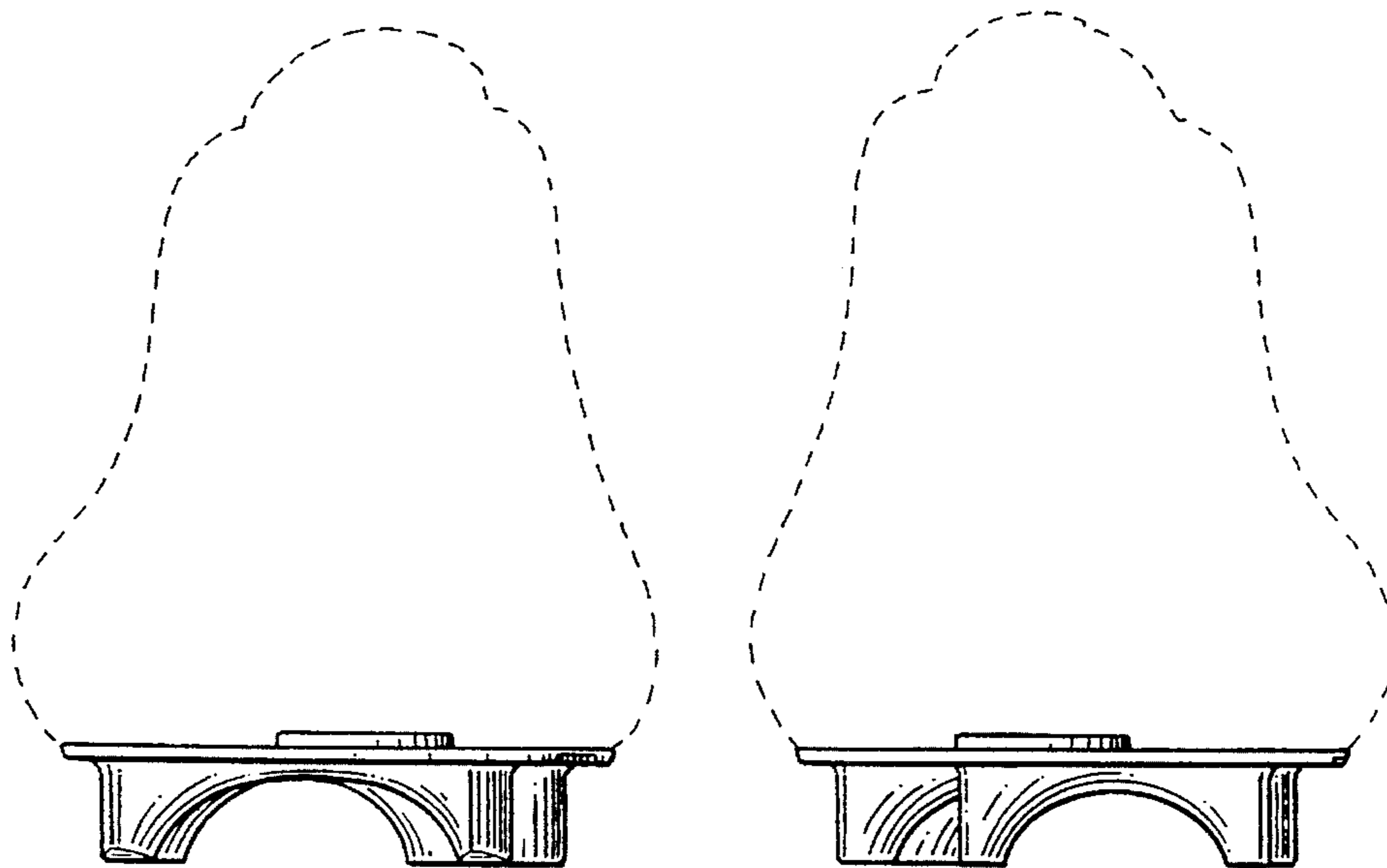


FIG. 3

FIG. 4

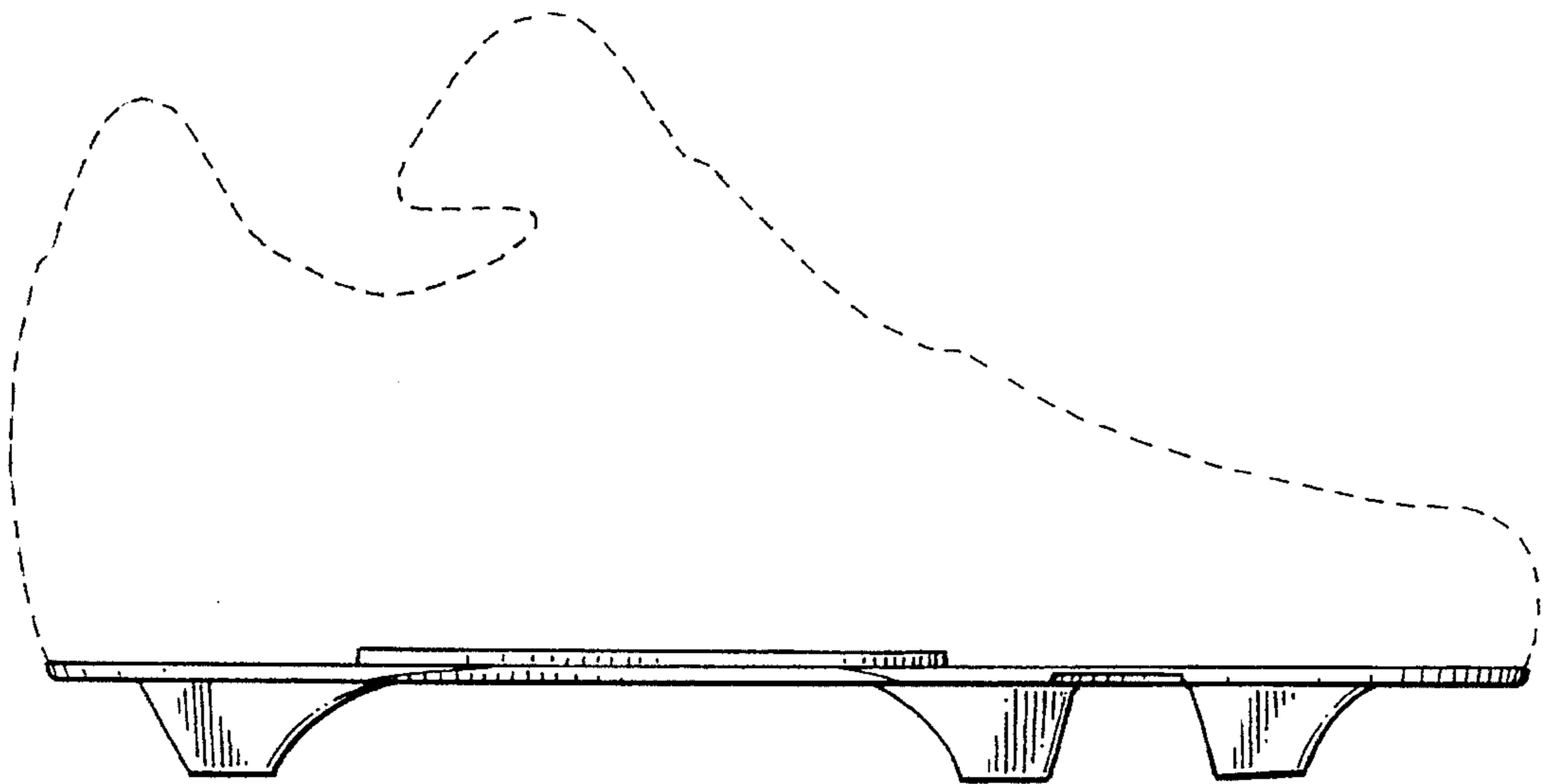


FIG. 5

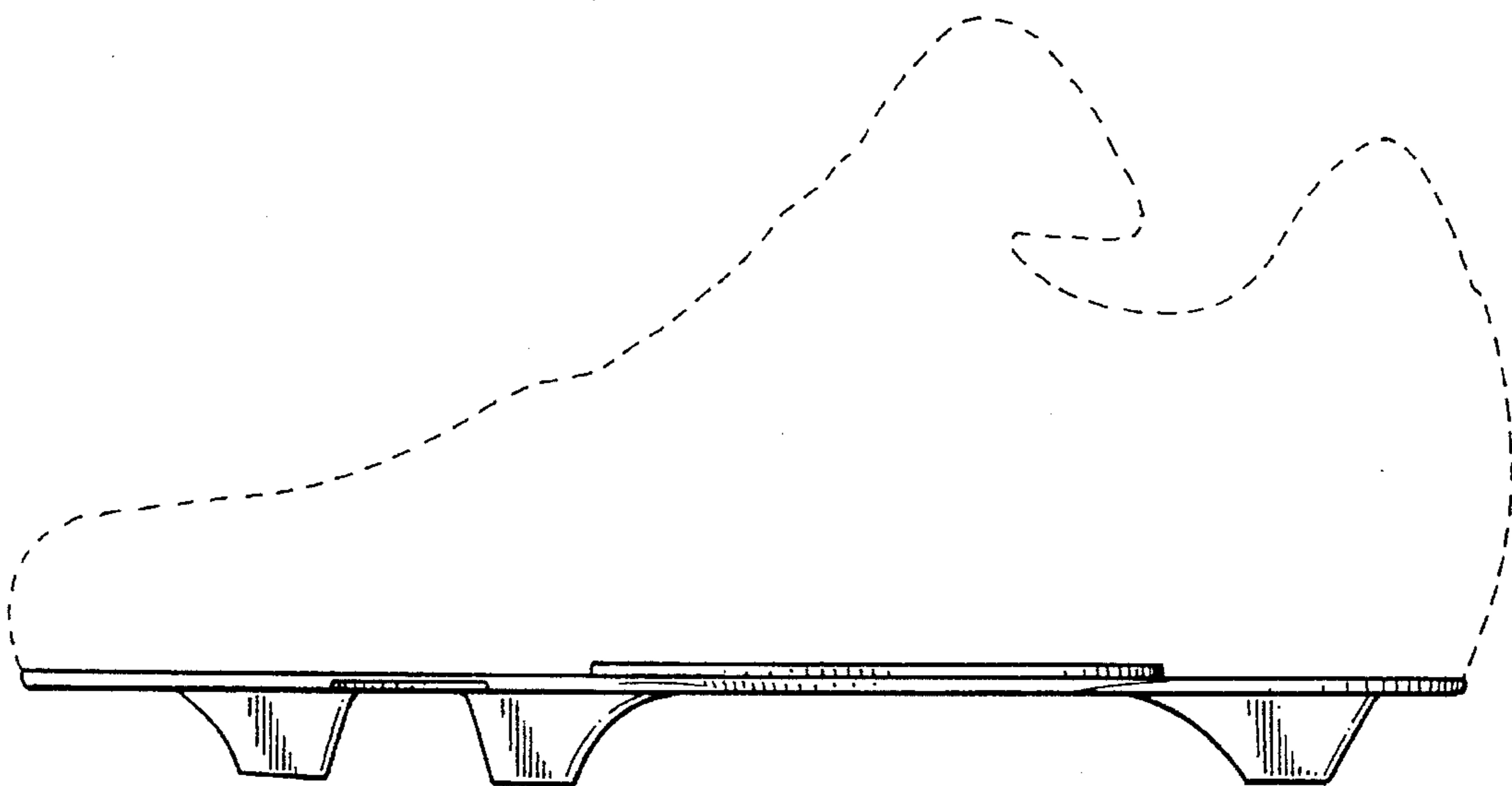


FIG. 6