



US00D368345S

United States Patent [19]

Fisher

[11] Patent Number: Des. 368,345

[45] Date of Patent: **Mar. 26, 1996

[54] EXTENDABLE SCRAPER

4,620,369 11/1986 Gercken 30/169 X
4,817,229 4/1989 Sedillo 15/245.1

[76] Inventor: David C. Fisher, 1208 Huntingdon Dr.,
Knoxville, Tenn. 37919-8420

[**] Term: 14 Years

Primary Examiner—A. Hugo Word
Assistant Examiner—Cynthia E. Ramirez
Attorney, Agent, or Firm—Harpman & Harpman

[21] Appl. No.: 38,178

[57] CLAIM

[22] Filed: Apr. 28, 1995

The ornamental design for extendable scraper, as shown and described.

[52] U.S. Cl. D32/49; D8/45

[58] Field of Search D32/40, 42, 43,
D32/46, 49, 48; D8/14, 45, 105, 11; 15/236.01-236.09;
30/109; 34/116, 118

DESCRIPTION

[56] References Cited

U.S. PATENT DOCUMENTS

D. 56,574	11/1920	Waters	D32/49	X
D. 298,300	11/1988	Levay	D32/49	X
D. 303,027	8/1989	Gray	D32/40	X
D. 313,682	1/1991	Marin et al.	D32/40	X
D. 341,454	11/1993	Canencia et al.	D8/45	X
D. 360,507	7/1995	Savato	D32/42	
824,473	6/1906	Foskett	15/245	
3,853,495	12/1974	Shire	30/169	X

FIG. 1 is an exploded view of the two components of extendable scraper showing my new design in its most extended form;

FIG. 2 is a front elevational view thereof in the extended form with components connected;

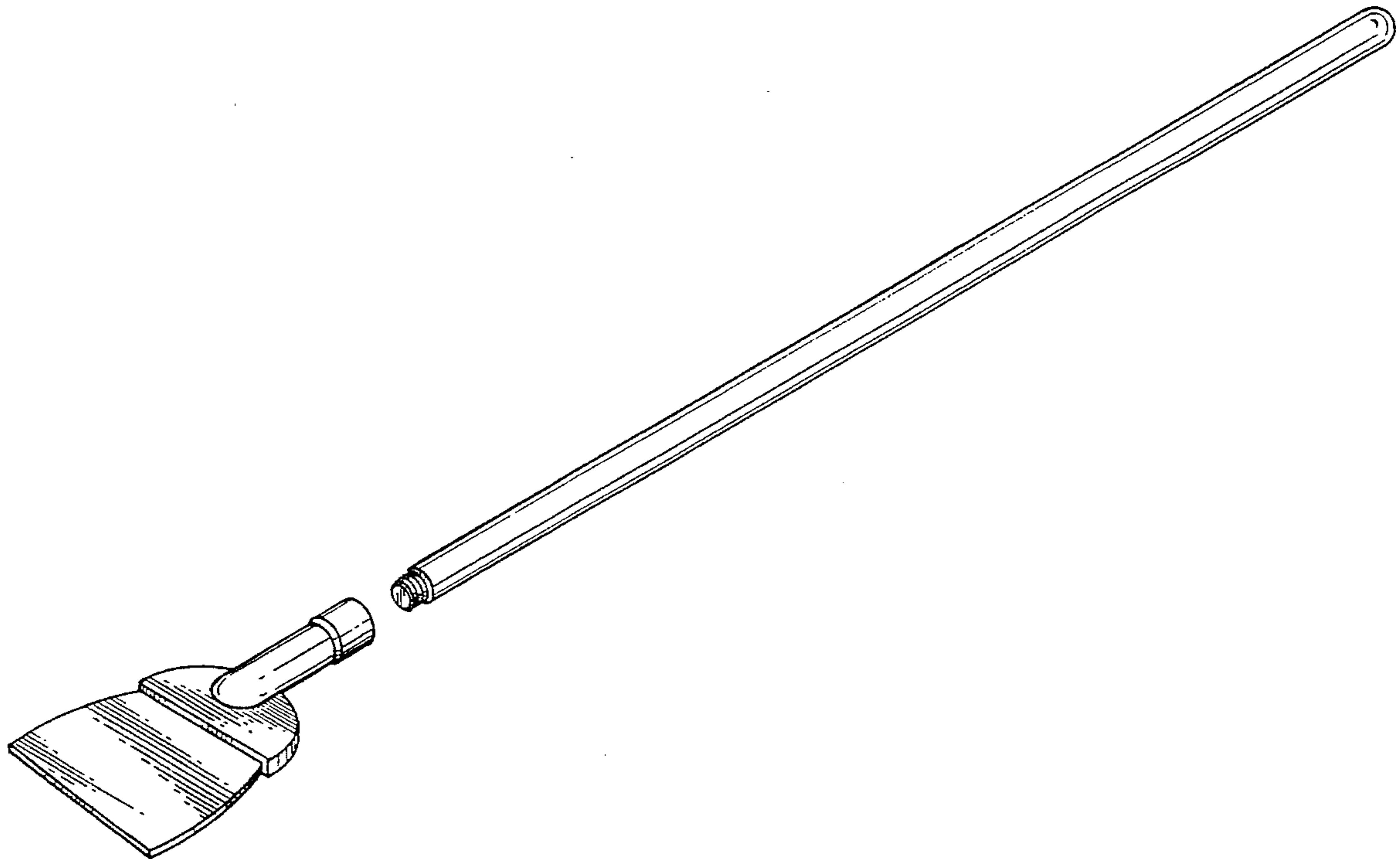
FIG. 3 is a rear elevational view thereof;

FIG. 4 is a side elevational view thereof;

FIG. 5 is a side elevational view thereof; and,

FIG. 6 is a top plan view thereof, the side opposite being a mirror image of the side shown in FIG. 6.

1 Claim, 2 Drawing Sheets



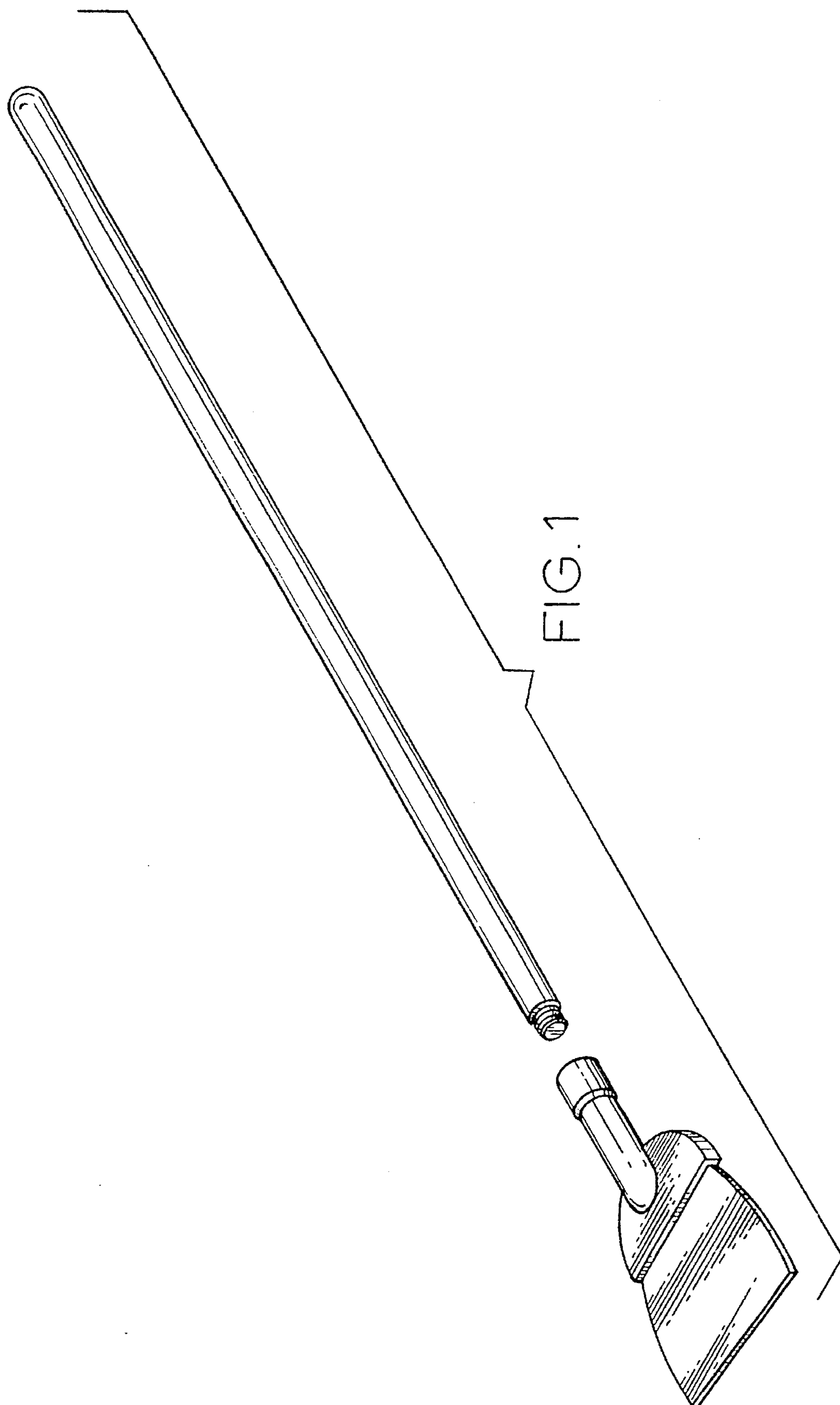




FIG. 2



FIG. 3

FIG. 4

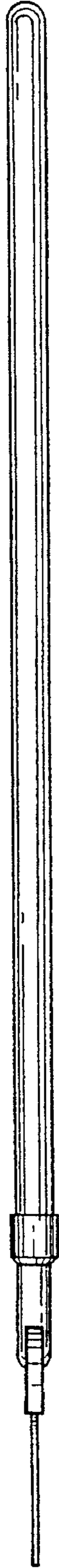


FIG. 5

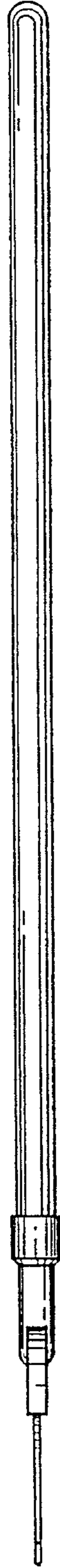


FIG. 6

