



US00D368344S

United States Patent [19]

Hansen

[11] Patent Number: **Des. 368,344**

[45] Date of Patent: ****Mar. 26, 1996**

[54] **SCRAPER**

[76] Inventor: **Alan M. Hansen**, 18304 SW. Westview Dr., Lake Oswego, Oreg. 97034

[**] Term: **14 Years**

[21] Appl. No.: **37,826**

[22] Filed: **Apr. 21, 1995**

[52] U.S. Cl. **D32/46; D32/41**

[58] Field of Search D32/40, 41, 42, D32/48, 43, 46, 52, 49, 47; 15/245, 245.1, 236.01-236.09; D7/696, 693

[56] **References Cited**

U.S. PATENT DOCUMENTS

D. 117,388	10/1939	Worinasonicz	D32/46 X
D. 173,462	11/1954	Schmoller	D32/41
D. 175,450	8/1955	Weiss	D32/49
D. 199,962	1/1965	Peterson	D32/46
D. 214,085	5/1969	Fremdling	D32/41
D. 233,586	11/1974	Kopp	D32/46
D. 280,247	8/1985	Jones	D32/41
D. 285,736	9/1986	Seely	D32/41

D. 332,331	5/1993	Hansen et al.	D32/41
D. 345,638	3/1994	Shames et al.	D32/41
D. 352,432	11/1994	Monroe	D32/41 X
D. 357,563	4/1995	Vosbikian	D32/41
4,097,951	7/1978	Hurt	15/245

Primary Examiner—A. Hugo Word
Assistant Examiner—Cynthia E. Ramirez
Attorney, Agent, or Firm—Edward B. Watters

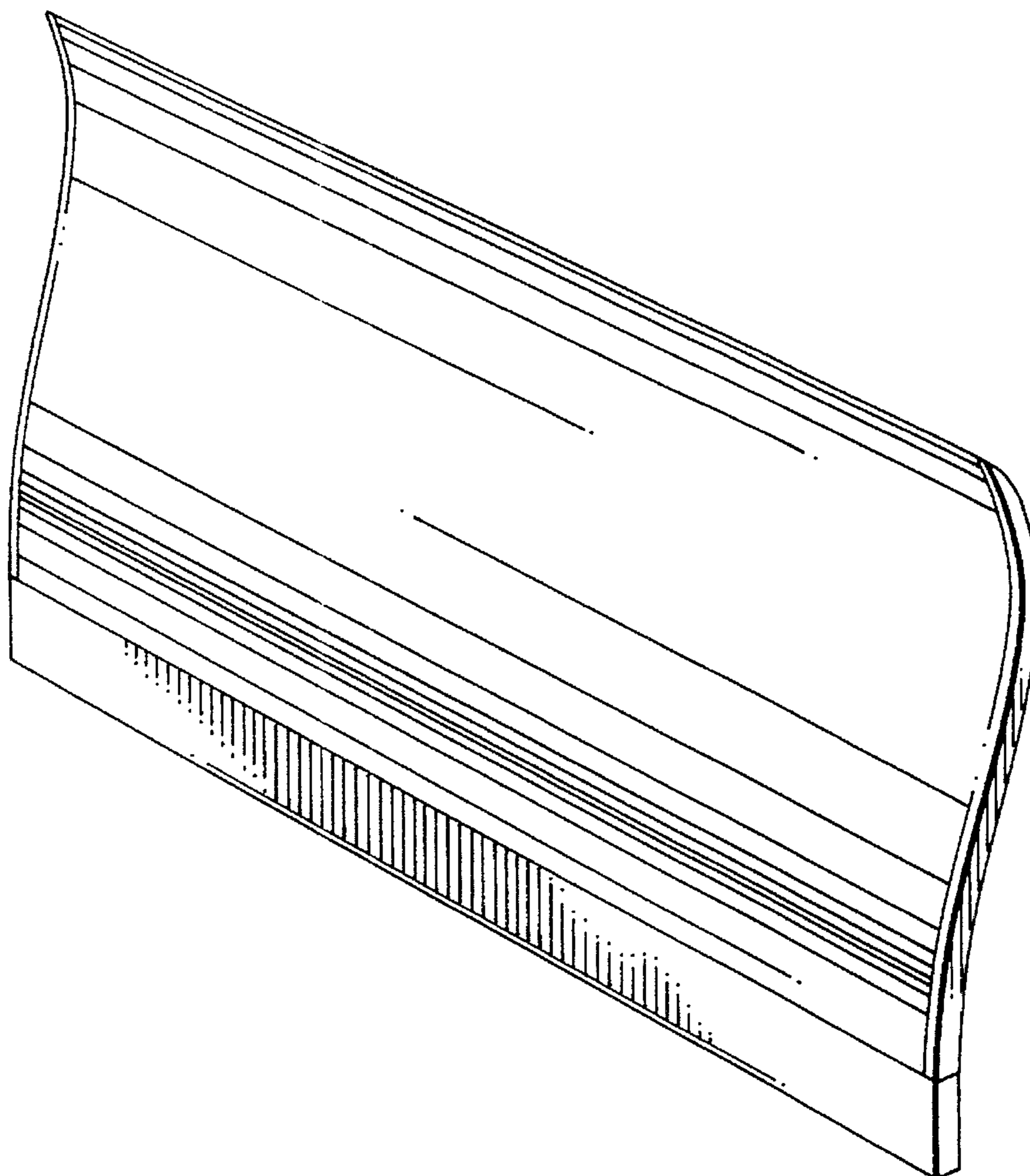
[57] **CLAIM**

The ornamental design for a scraper, as shown and described.

DESCRIPTION

FIG. 1 is a front, right-side, and top perspective view of a scraper showing my new design;
FIG. 2 is a left-side elevational view thereof, the right-side elevational view being a mirror image of that shown;
FIG. 3 is a front elevational view thereof;
FIG. 4 is a rear elevational view thereof;
FIG. 5 is a top plan view thereof; and,
FIG. 6 is a bottom plan view thereof;

1 Claim, 1 Drawing Sheet



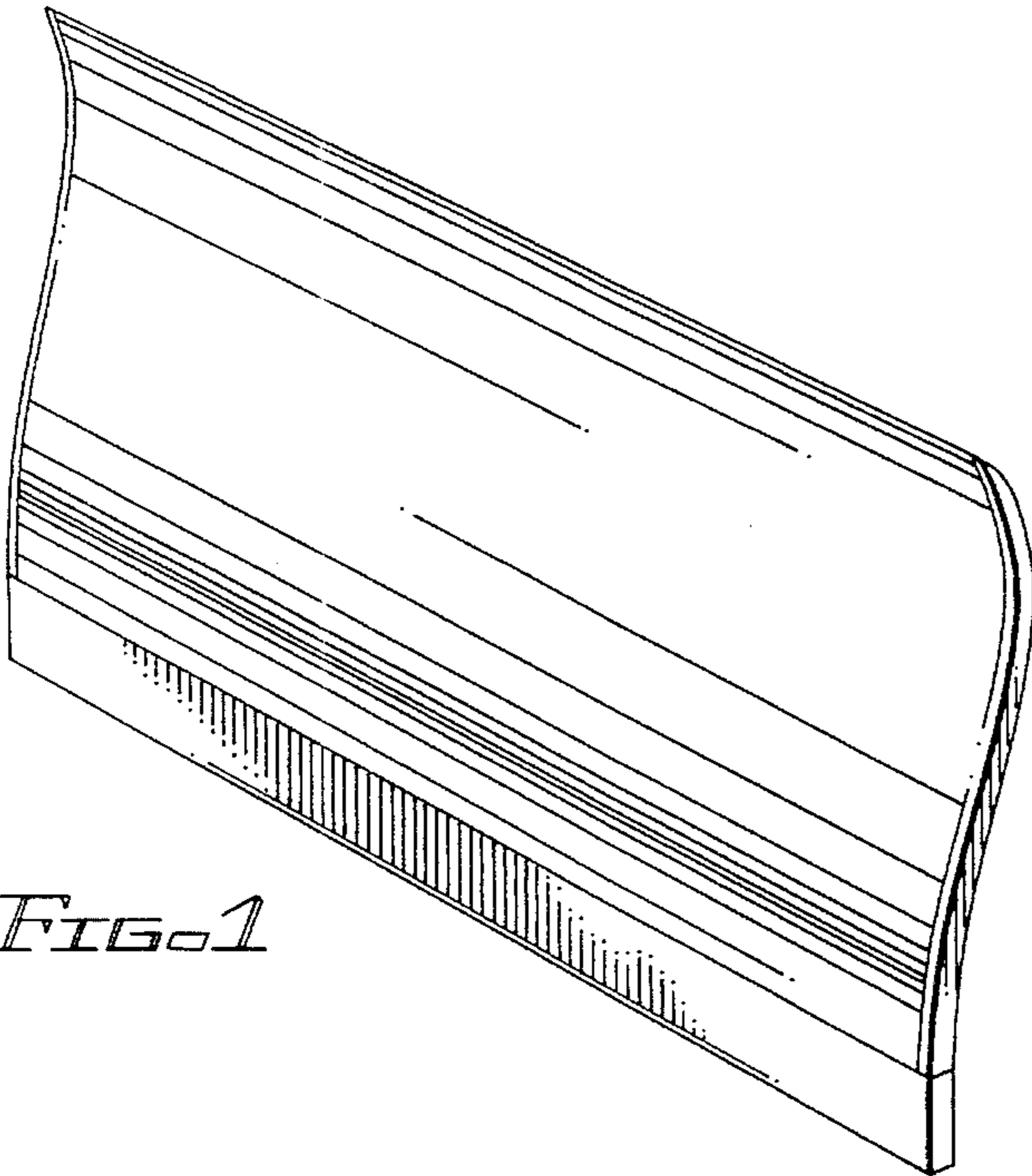


FIG. 1



FIG. 2

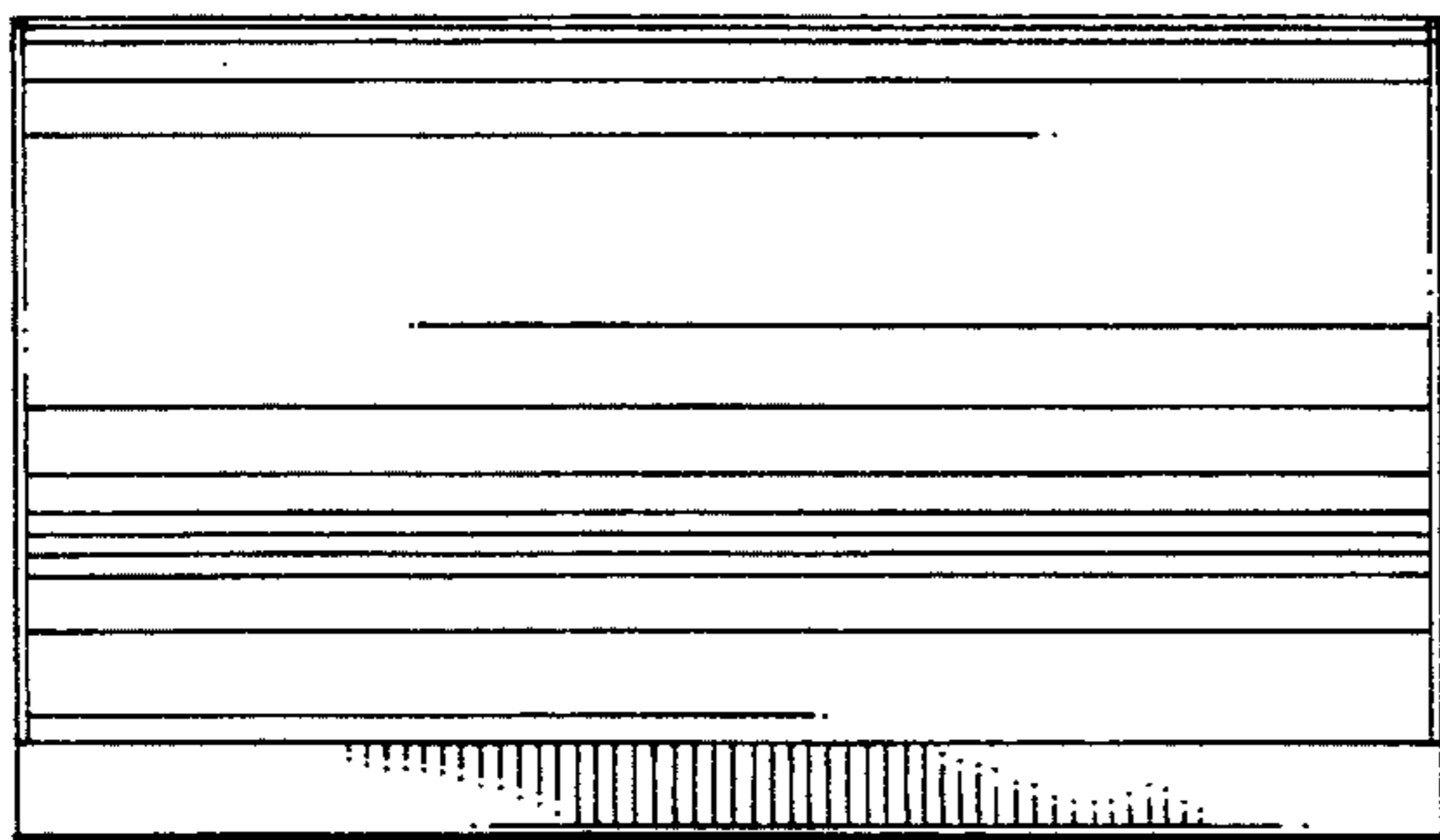


FIG. 3

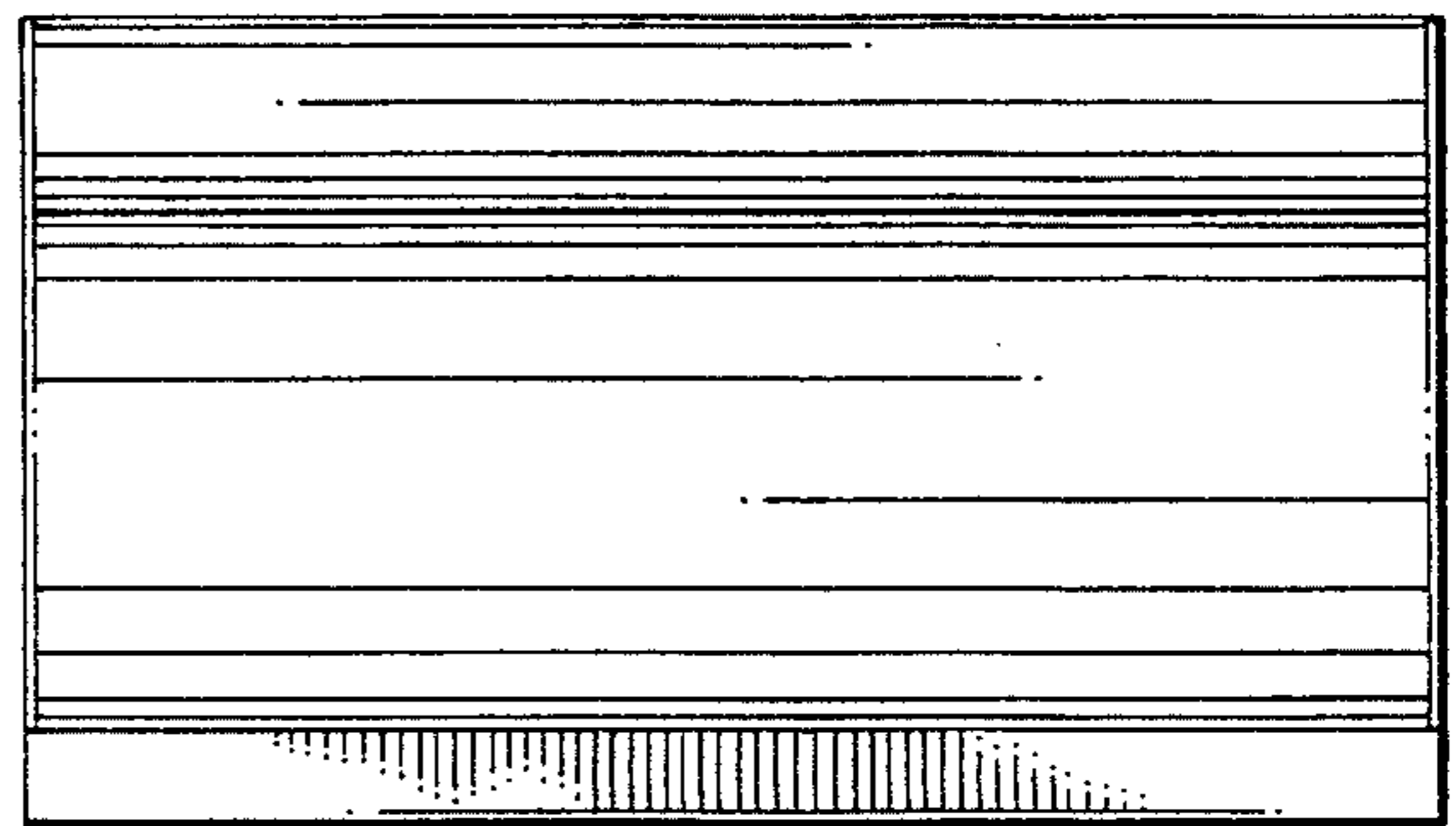


FIG. 4

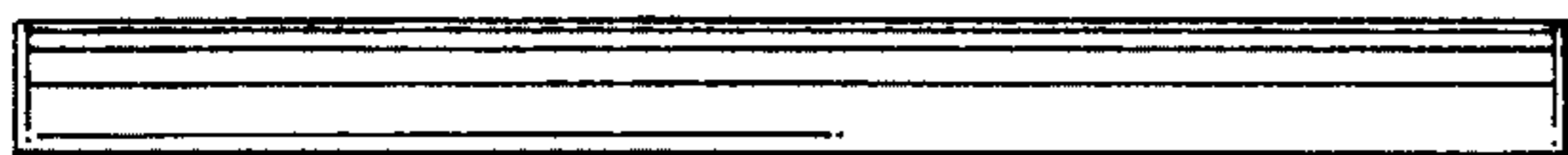


FIG. 5

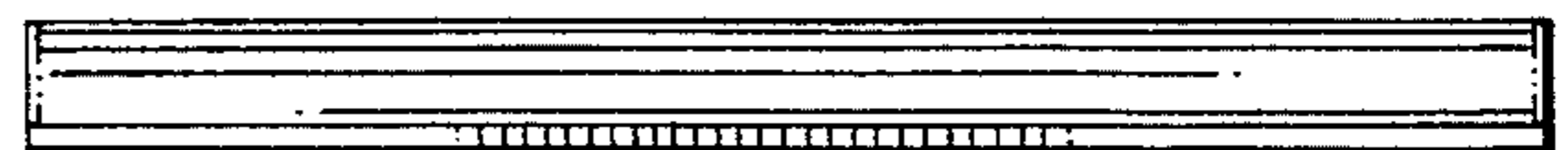


FIG. 6