



US00D368343S

United States Patent [19]

Gebhard et al.

[11] Patent Number: Des. 368,343

[45] Date of Patent: **Mar. 26, 1996

[54] MULTI-PURPOSE HAND-HELD ROTARY DRIVE CLEANING TOOL

[76] Inventors: **Albert W. Gebhard; Patricia A. Gebhard**, both of 2101 E. Alameda, Denver, Colo. 80209

[**] Term: **14 Years**

[21] Appl. No.: **24,306**

[22] Filed: **Jun. 13, 1994**

[52] U.S. Cl. **D32/35; D24/215; D4/102; D4/138**

[58] Field of Search **D4/100, 102, 138, D4/127; D24/215, 44; D32/14.1, 17; 15/21.1, 22.1, 22.2, 23, 25, 26, 27, 28**

[56] References Cited

U.S. PATENT DOCUMENTS

D. 199,301	10/1964	Brickman	D4/102
D. 200,092	1/1965	Polatchek	D4/100 X
D. 226,043	1/1973	Wolff	D24/214
D. 290,551	6/1987	Huen	D4/102
D. 300,185	3/1989	Suzuki	D4/102
D. 301,398	6/1989	Cheung	D4/102
D. 315,408	3/1991	Duk	D24/214 X
D. 321,596	11/1991	Zierhut	D4/127 X
D. 334,095	3/1993	Beets et al.	D32/40 X
2,778,043	1/1957	Arf	D4/102 X

FOREIGN PATENT DOCUMENTS

2400787 7/1975 Germany 15/22.1

OTHER PUBLICATIONS

Lifestyle Fascination, Early Spring 1994, p. 8 (Catalog).

Primary Examiner—A. Hugo Word
Assistant Examiner—Cynthia E. Ramirez
Attorney, Agent, or Firm—John E. Reilly

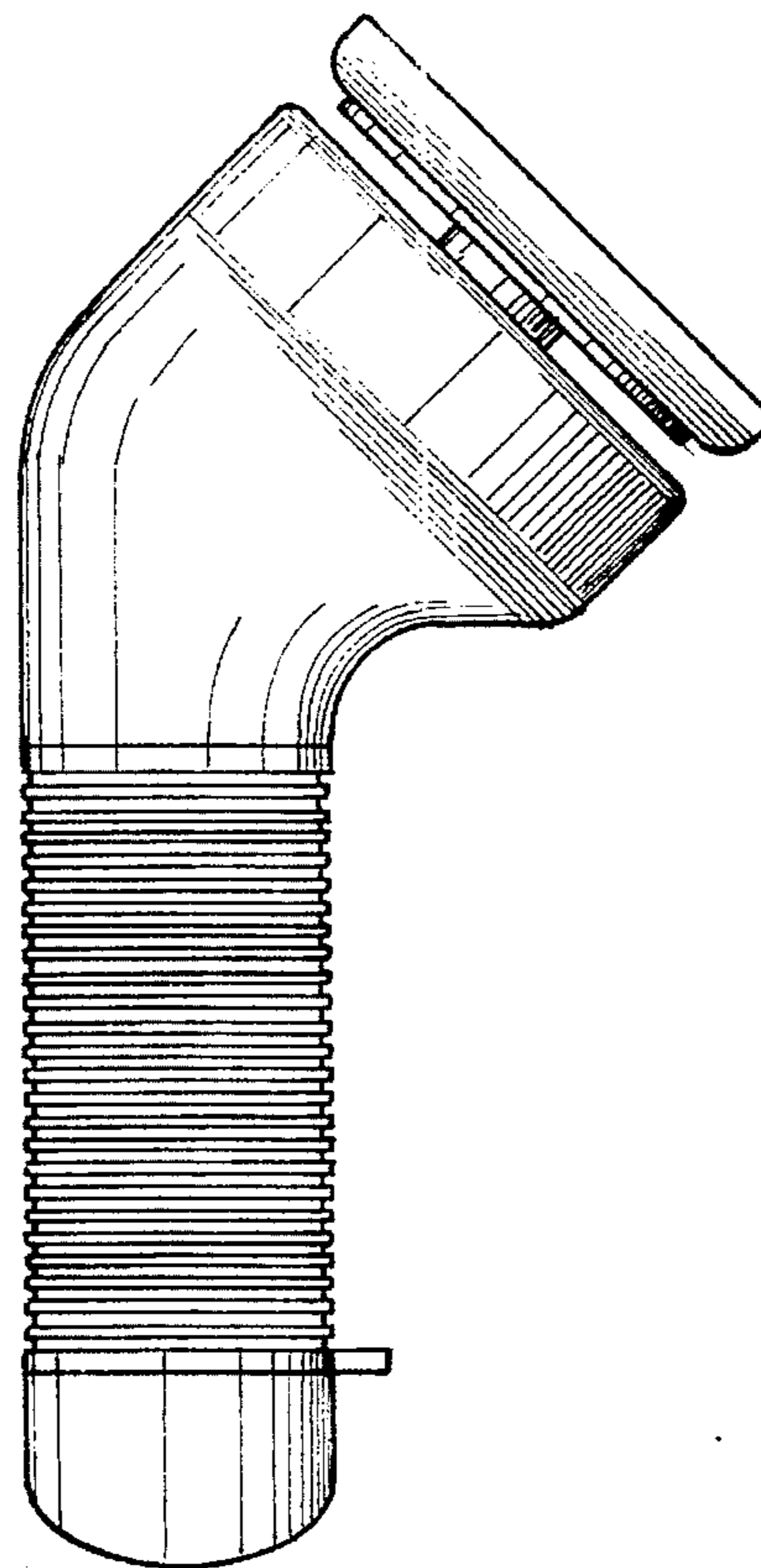
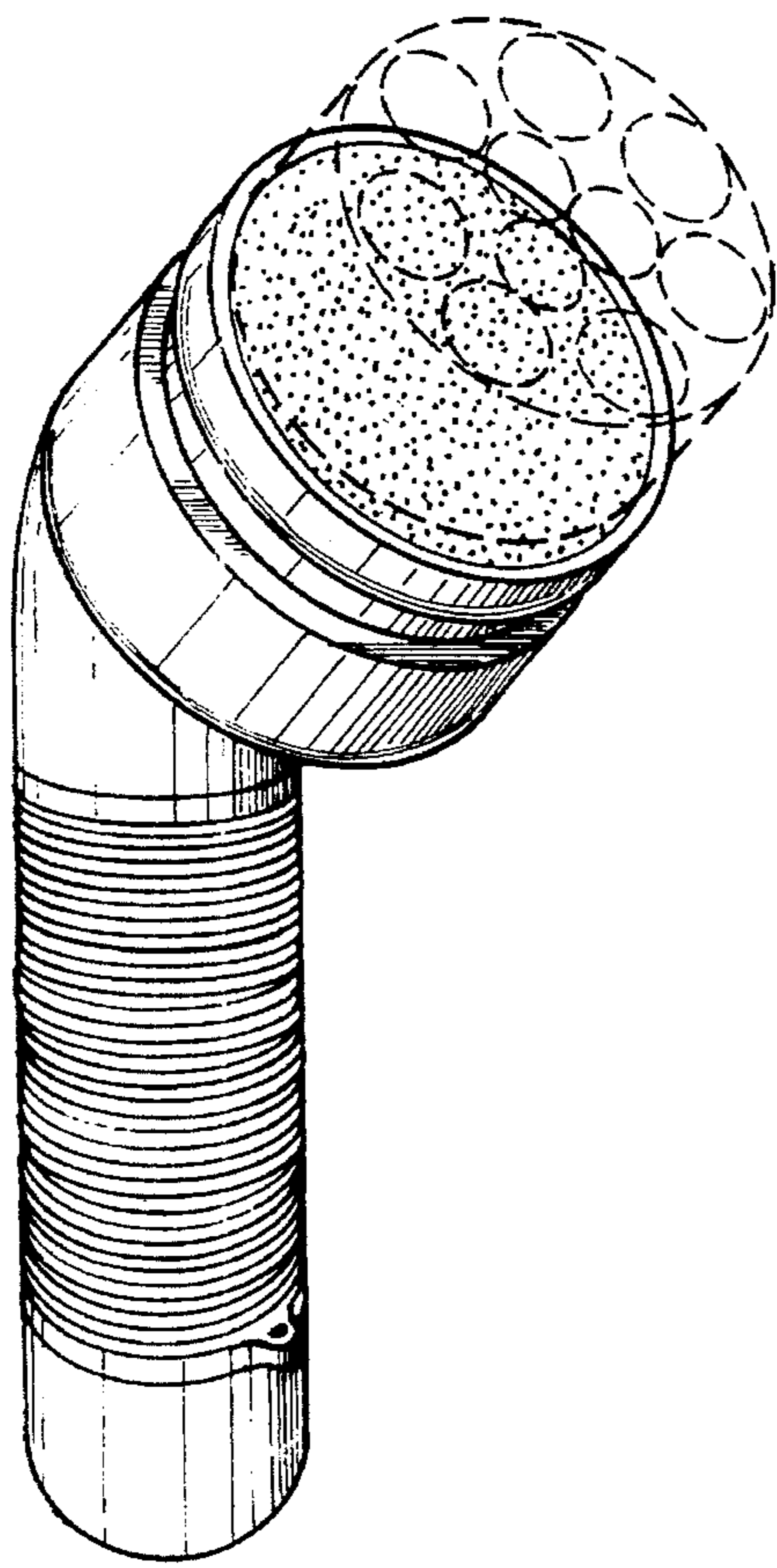
[57] CLAIM

The ornamental design for a multi-purpose hand-held rotary drive cleaning tool, as shown and described.

DESCRIPTION

FIG. 1 is a perspective view showing our new design; FIG. 2 is a front view in elevation thereof; FIG. 3 is a rear view in elevation thereof; FIG. 4 is a left side view in elevation thereof; FIG. 5 is a right side view in elevation thereof; FIG. 6 is a perspective view when viewed from the upper end portion of our new design; and, FIG. 7 is a bottom view.
The broken line showing of the attachment of FIG. 1 is for illustrative purposes only and forms no part of the claimed design.

1 Claim, 1 Drawing Sheet



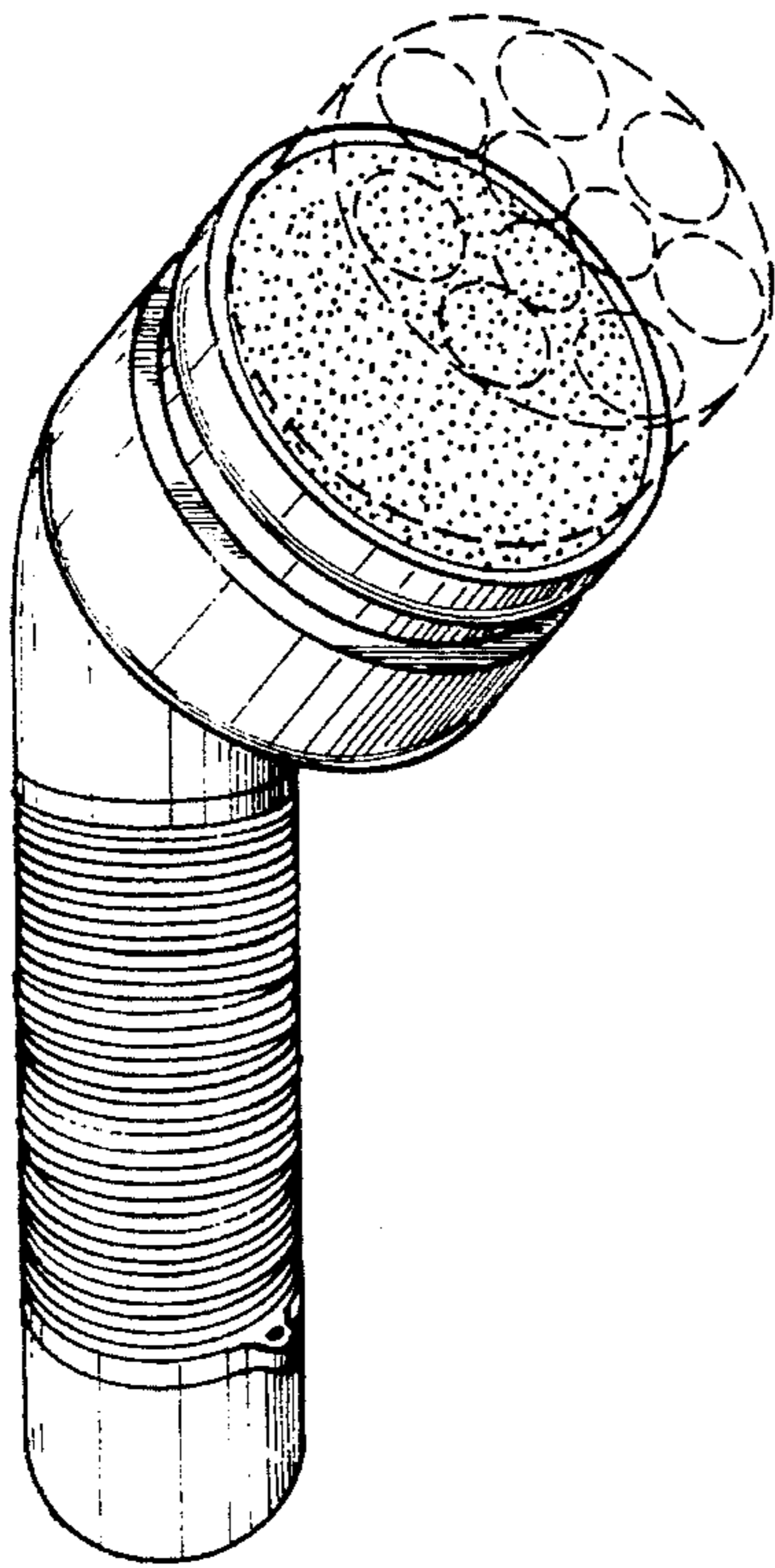


FIG-1 1

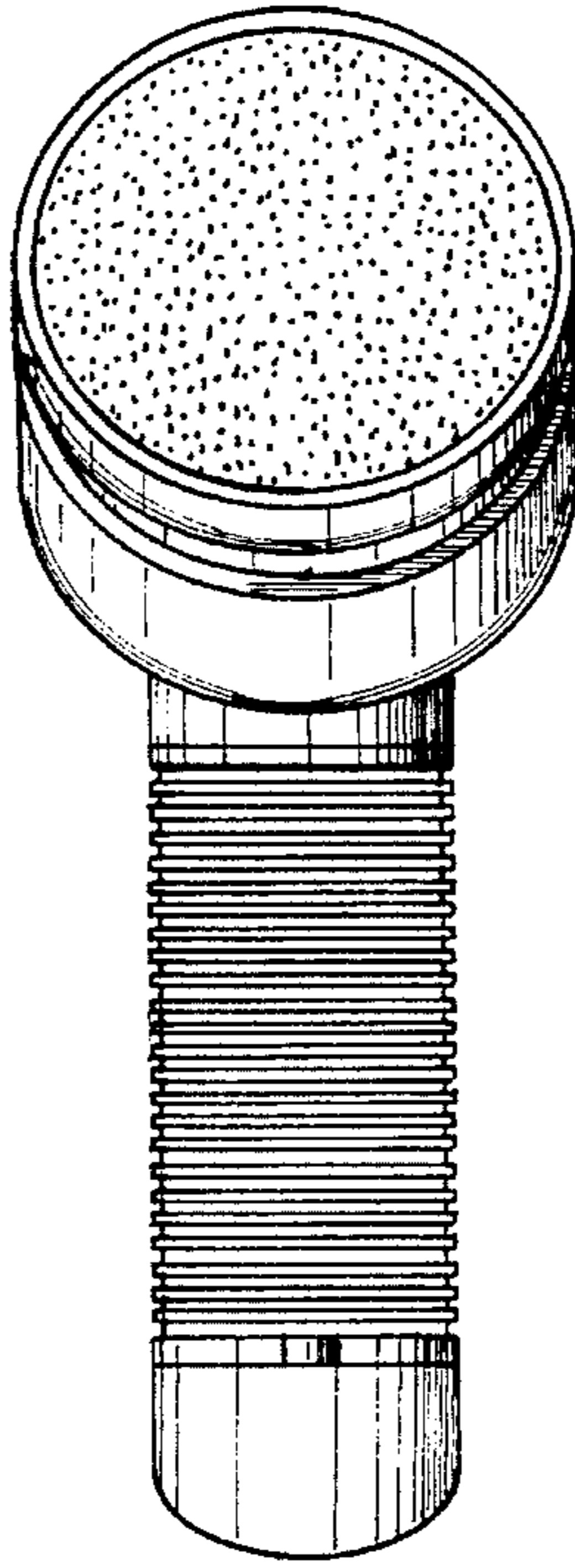


FIG-2 2

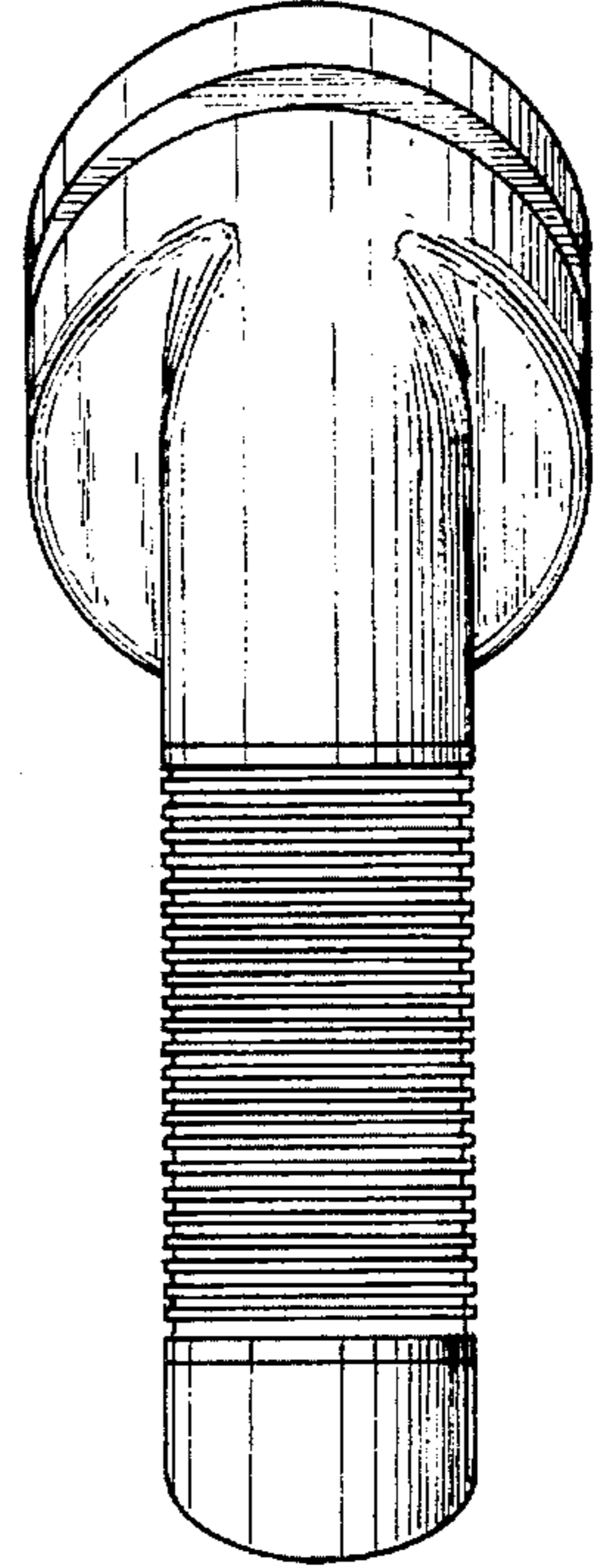


FIG-3 3

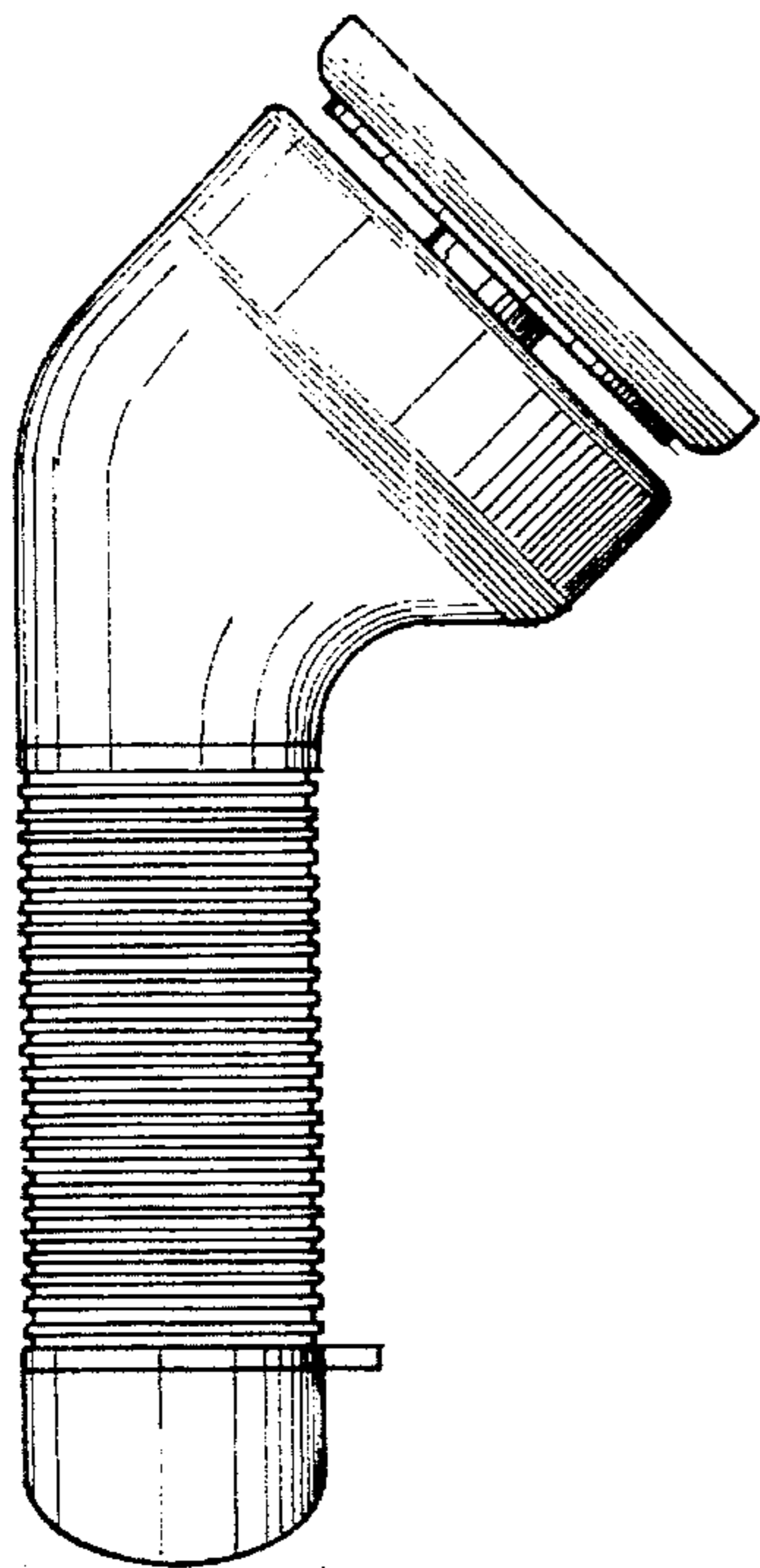


FIG-4 4

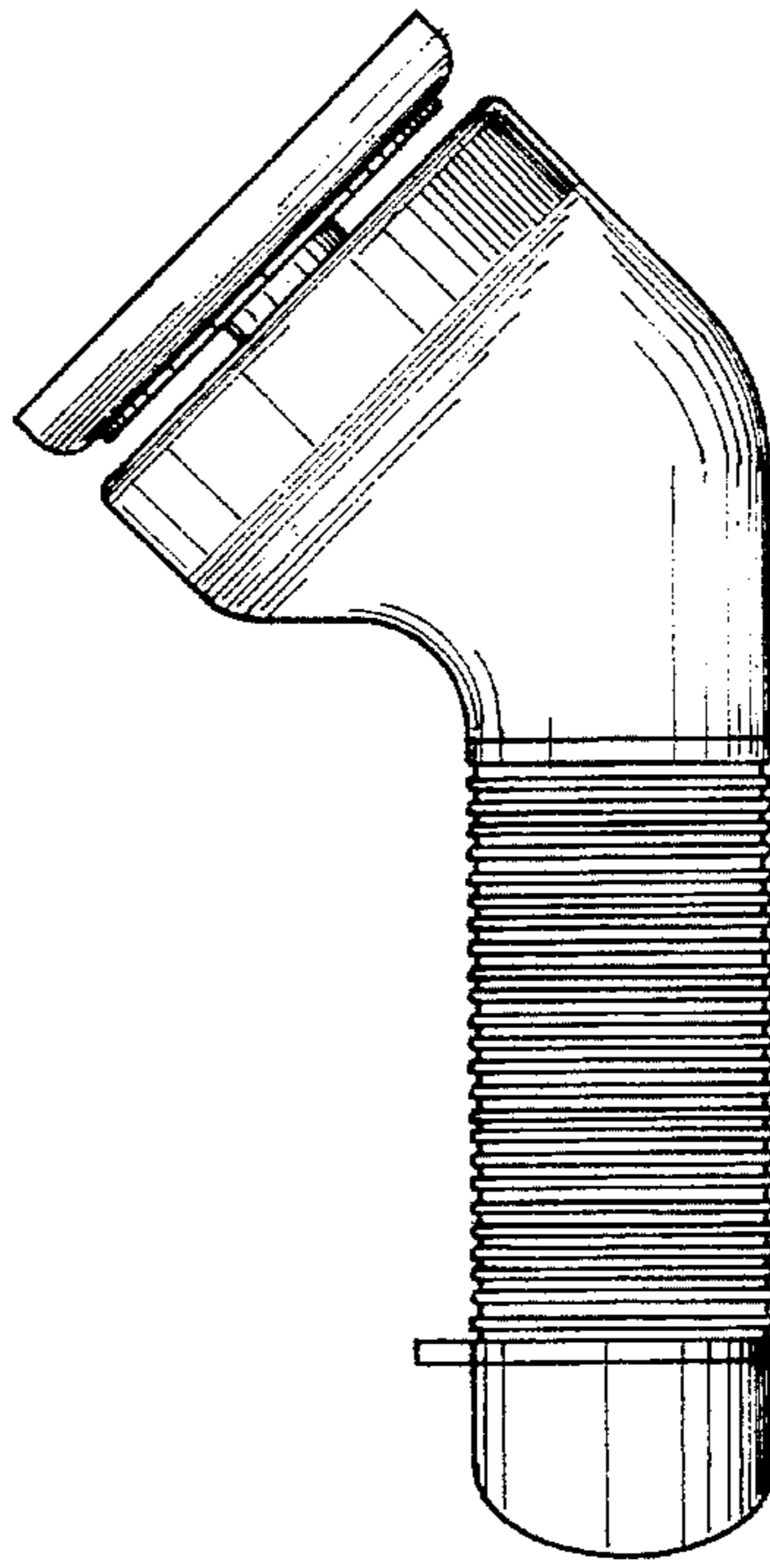


FIG-5 5

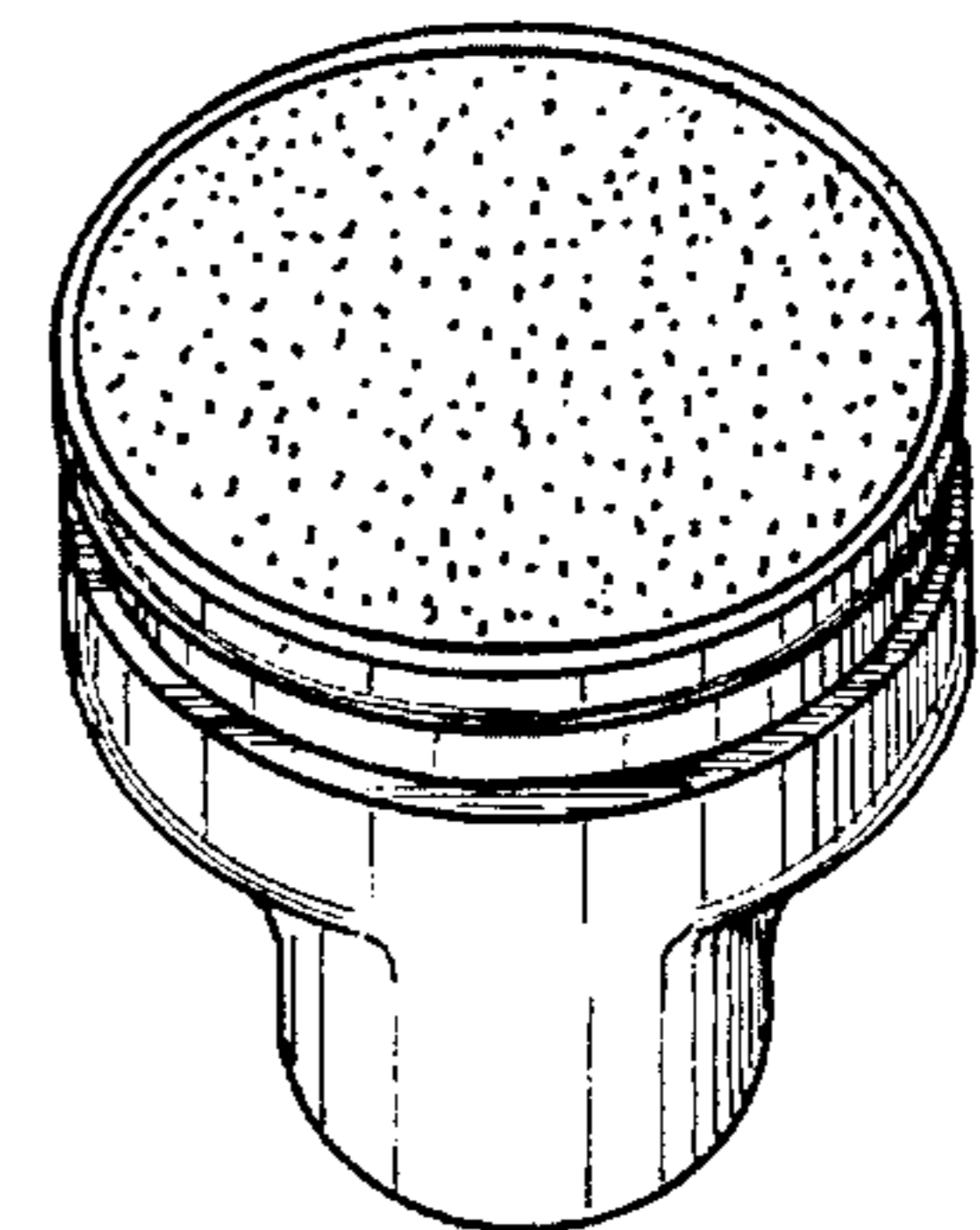


FIG-6 6

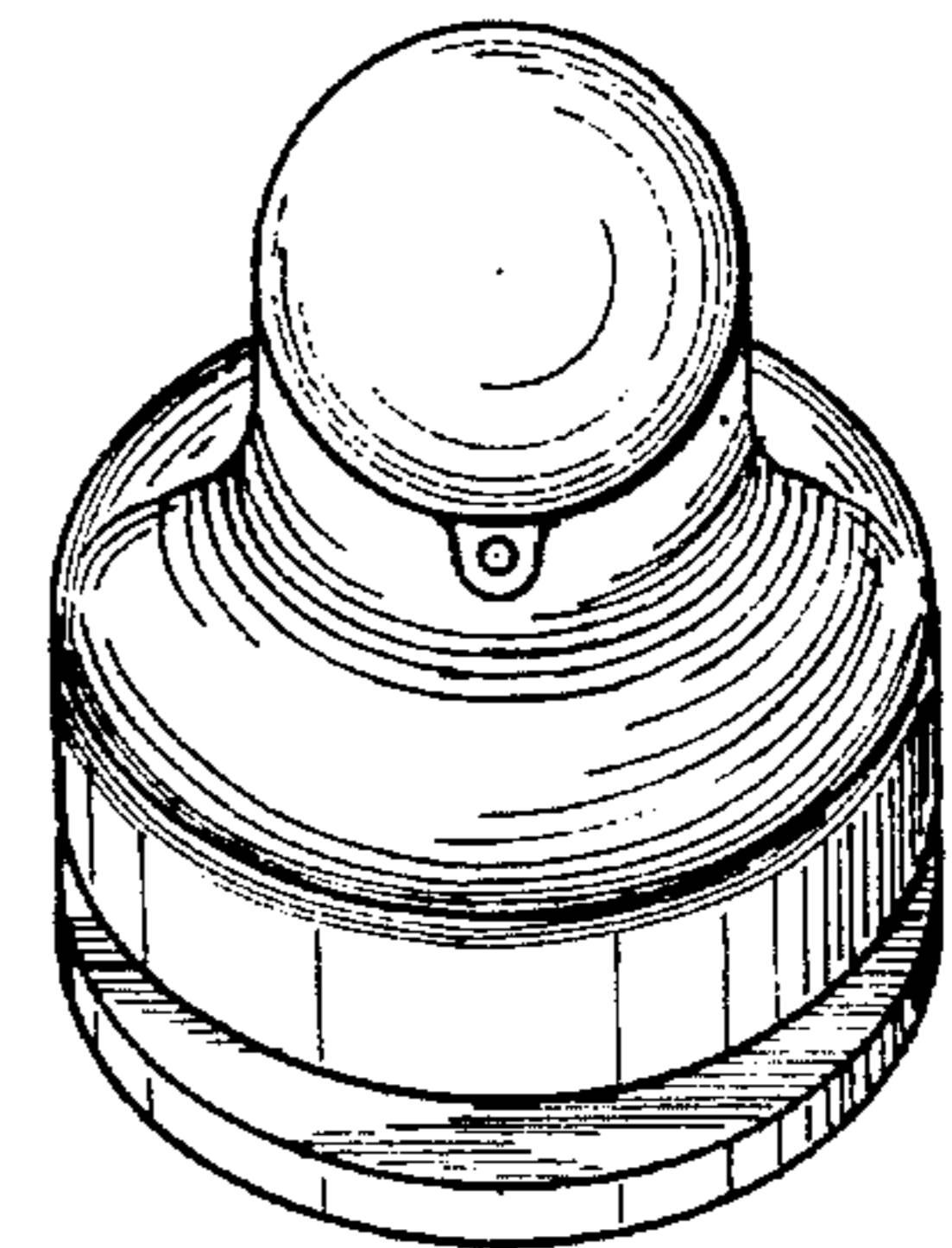


FIG-7 7