



US00D368342S

# United States Patent [19]

[11] Patent Number: **Des. 368,342**

## Founds

[45] Date of Patent: **\*\*Mar. 26, 1996**

[54] **VACUUM CLEANER FOR SMALL ANIMALS**

5,211,131 5/1993 Plyler ..... 119/87  
5,261,427 11/1993 Dolev ..... 132/200

[76] Inventor: **Christine Founds**, 828 1/2 4th Ave.,  
Pinole, Calif. 94564

### OTHER PUBLICATIONS

Hong Kong Enterprise, Nov. 1984, p. 166 "Auto Accessories  
from Anex" Vacuum Cleaner—bottom of page.

[\*\*] Term: **14 Years**

*Primary Examiner*—Ruth McInroy  
*Attorney, Agent, or Firm*—James A. Hudak

[21] Appl. No.: **27,424**

[22] Filed: **Aug. 22, 1994**

[52] U.S. Cl. .... **D32/18; D30/158**

### [57] CLAIM

[58] Field of Search ..... D32/17-18; D30/158;  
15/329, 344, 347; 119/87; 43/139

The ornamental design for a vacuum cleaner for small  
animals, as shown and described.

### [56] References Cited

### DESCRIPTION

#### U.S. PATENT DOCUMENTS

D. 255,864	7/1980	Bennett	.....	D32/17
D. 272,568	2/1984	Kuhl	.....	D32/18
D. 277,516	2/1985	Hayden et al.	.....	D32/18
D. 303,856	10/1989	Yuen	.....	D32/18
D. 312,153	11/1990	Kwong	.....	D32/18
4,485,583	12/1984	Planty	.....	43/139
4,488,331	12/1984	Ward	.....	15/339
4,630,329	12/1986	Shores	.....	15/368
5,207,183	5/1993	Prashnik et al.	.....	119/87

FIG. 1 is a perspective view of a vacuum cleaner for small  
animals showing my new design;  
FIG. 2 is a front elevational view thereof, the rear elevational  
view being a mirror image thereof;  
FIG. 3 is a left side elevational view thereof;  
FIG. 4 is a right side elevational view thereof;  
FIG. 5 is a top plan view thereof; and,  
FIG. 6 is a bottom plan view thereof.

**1 Claim, 2 Drawing Sheets**

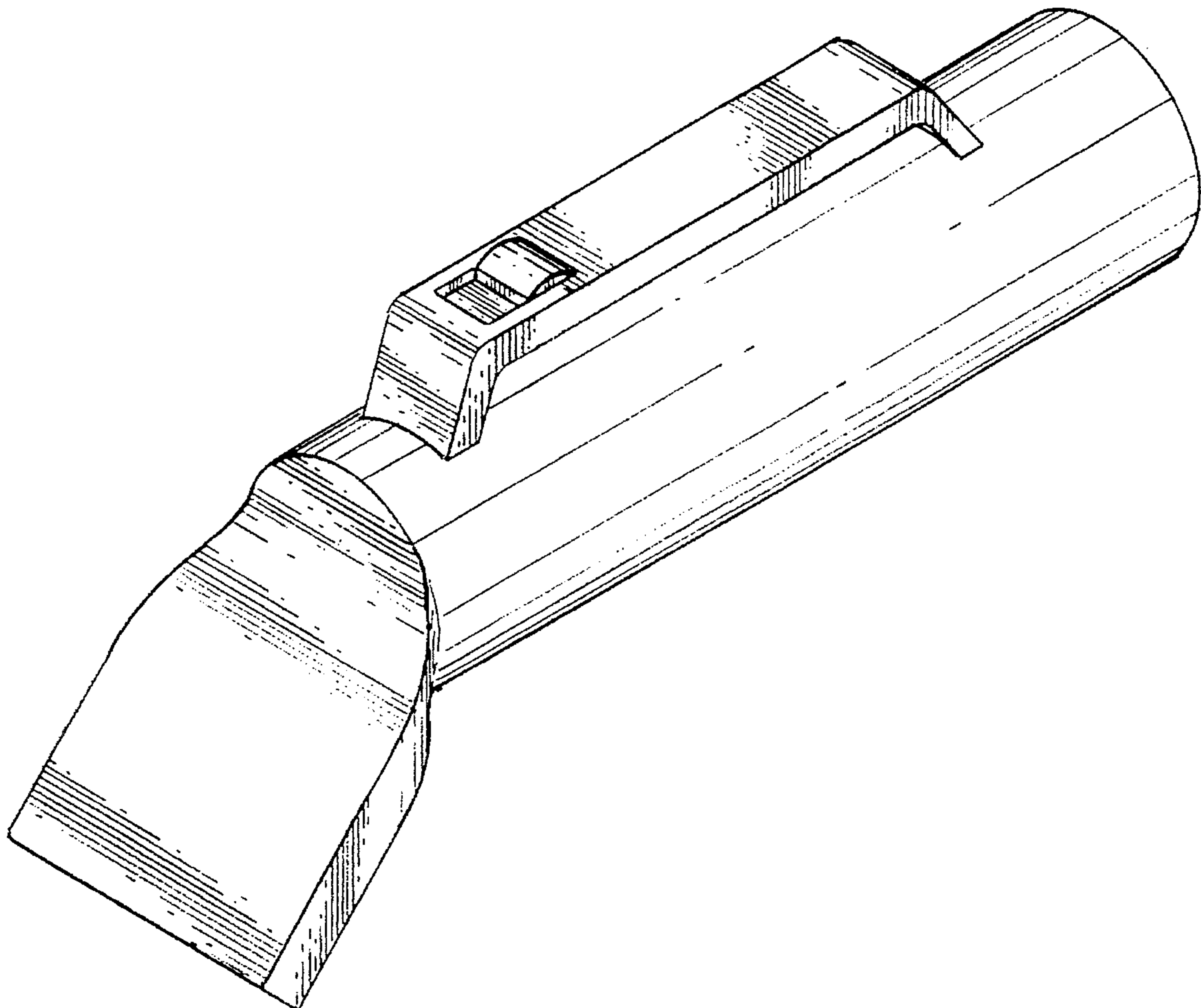


FIG. 1

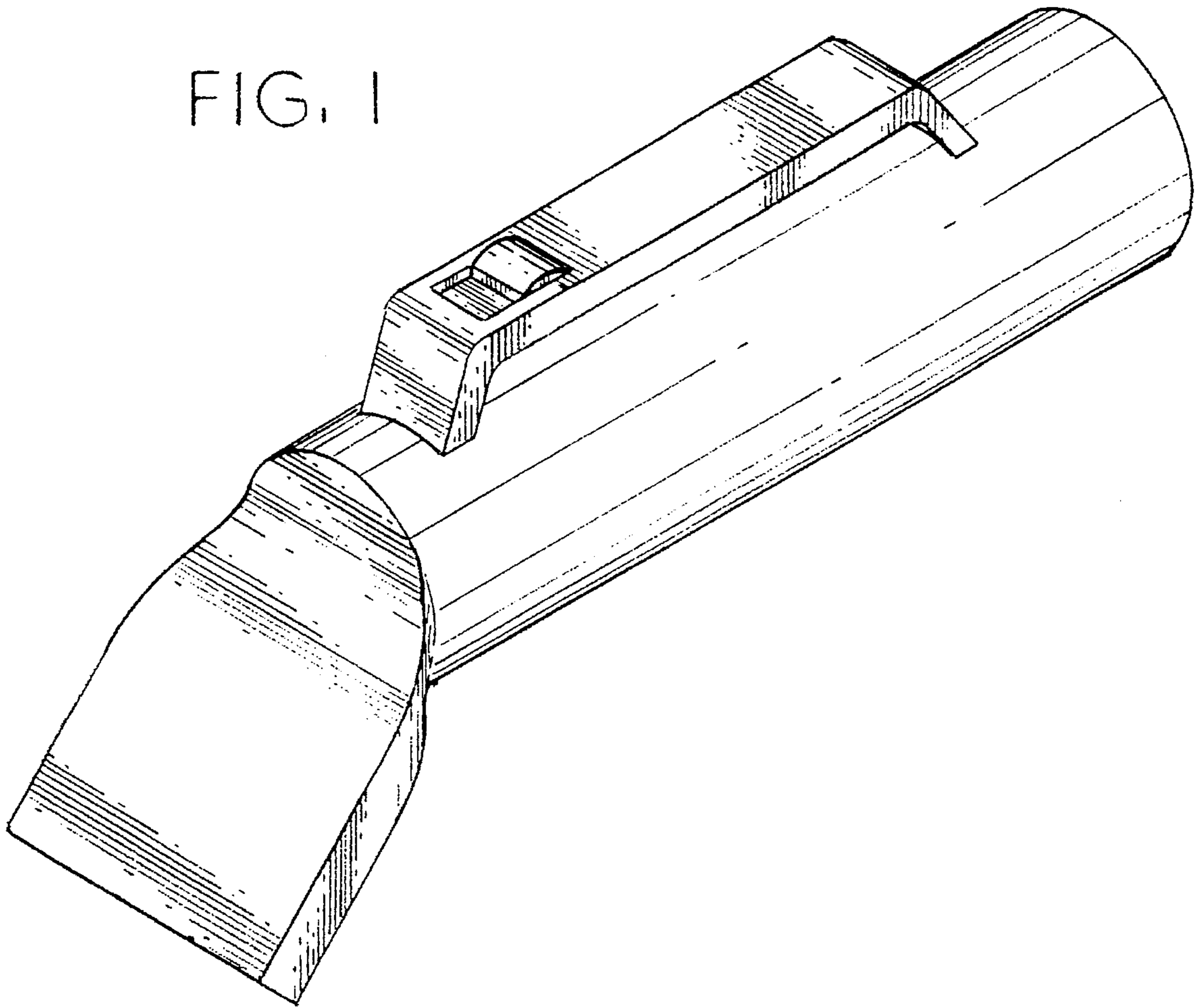


FIG. 2

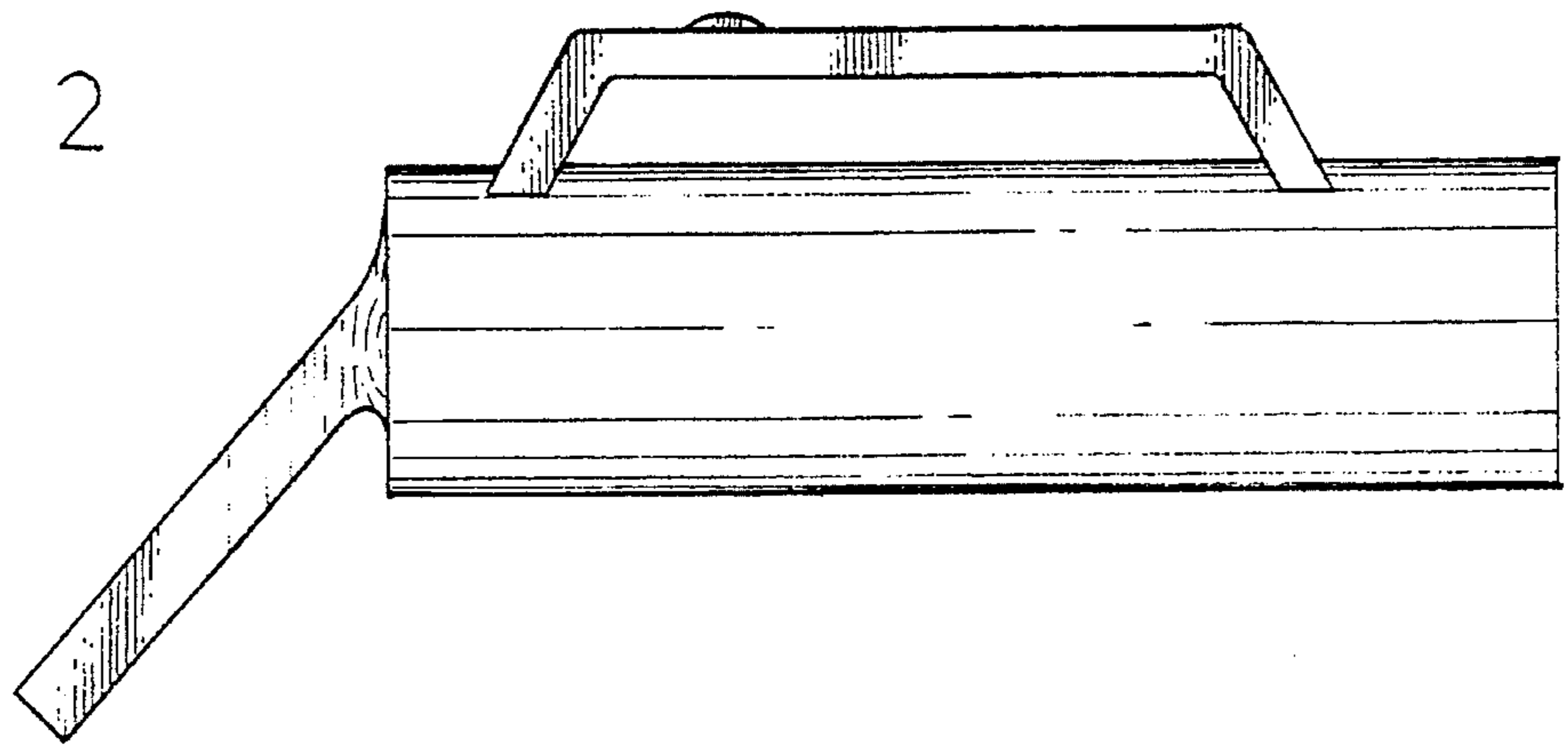


FIG. 3

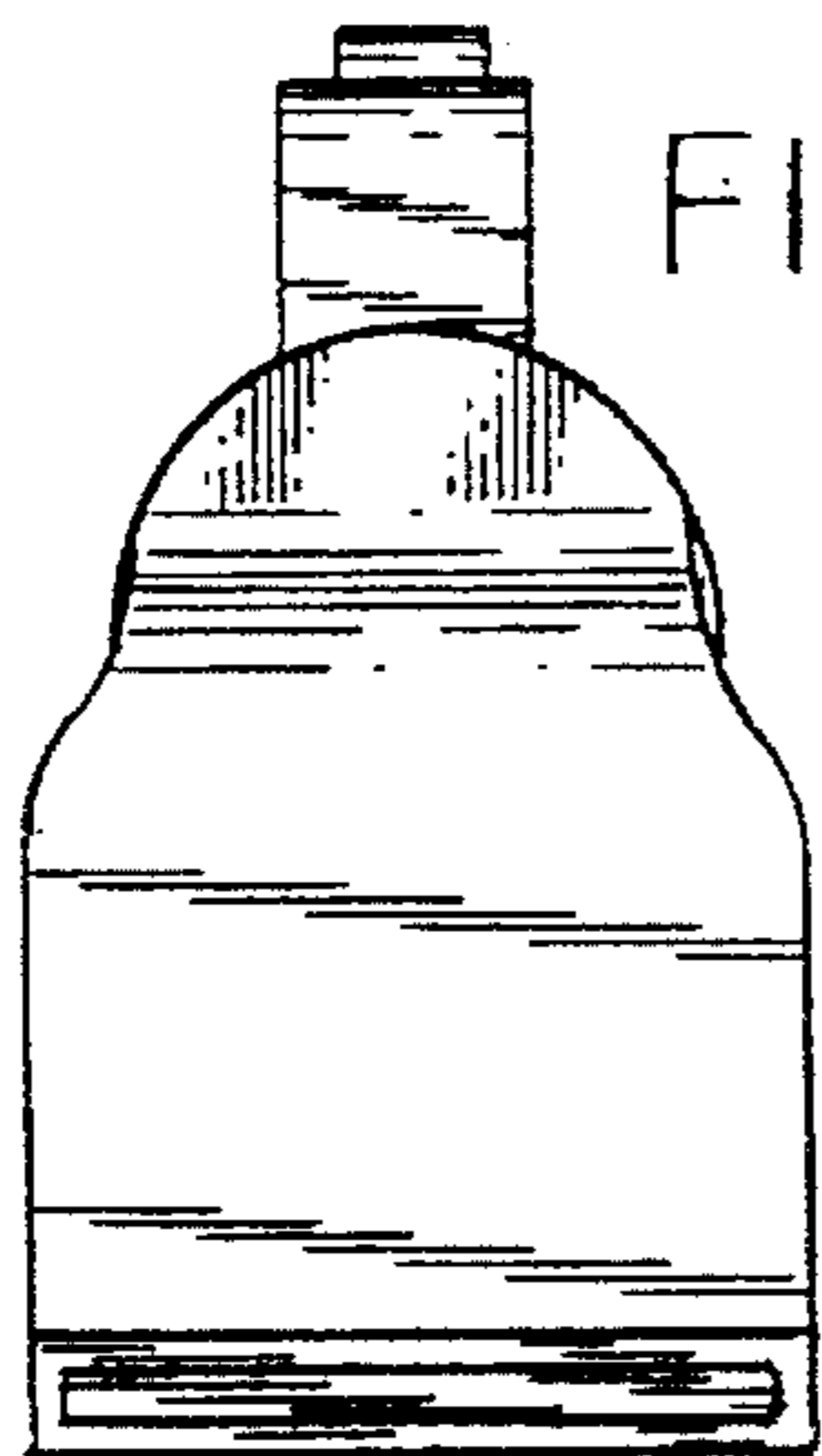


FIG. 4

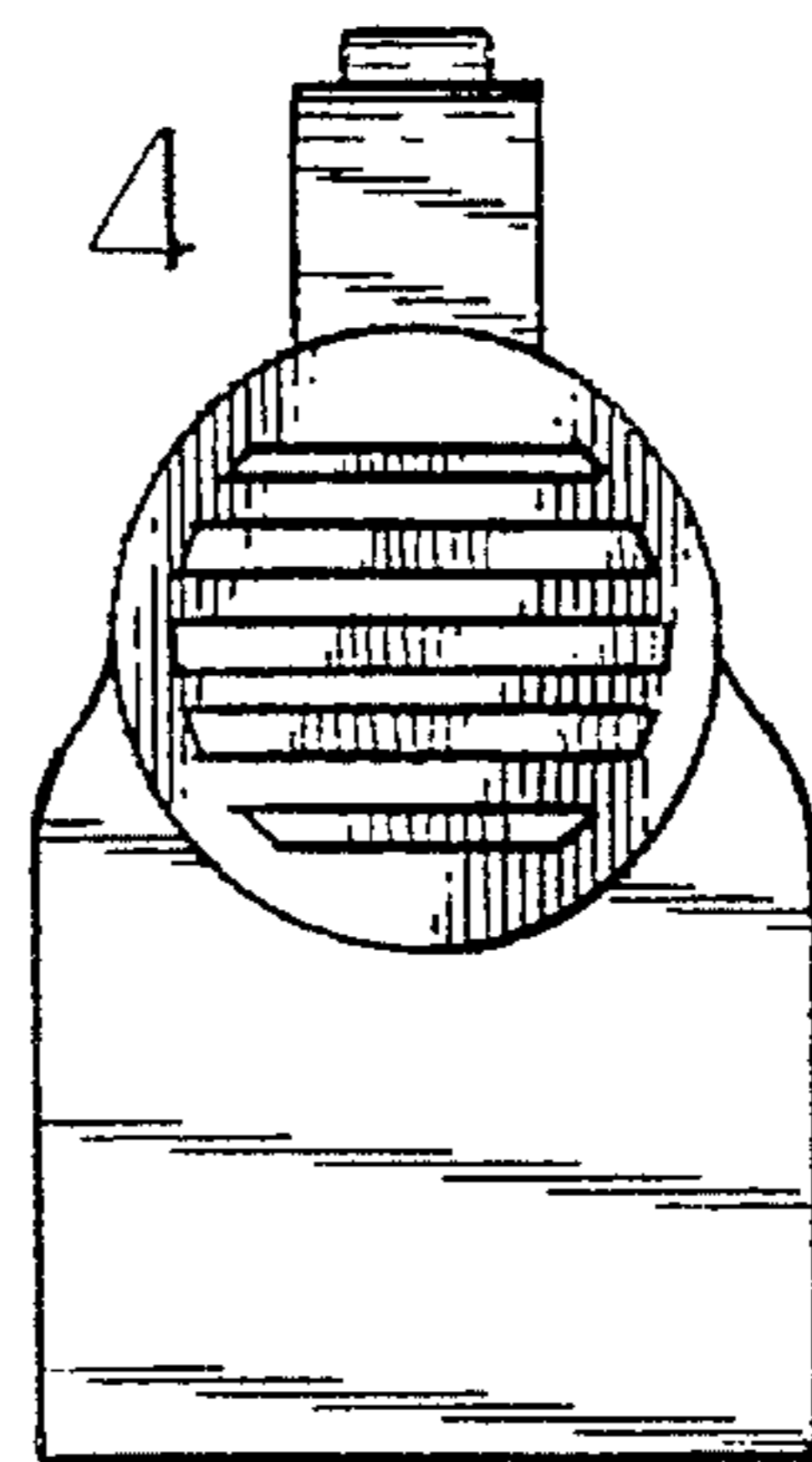


FIG. 5

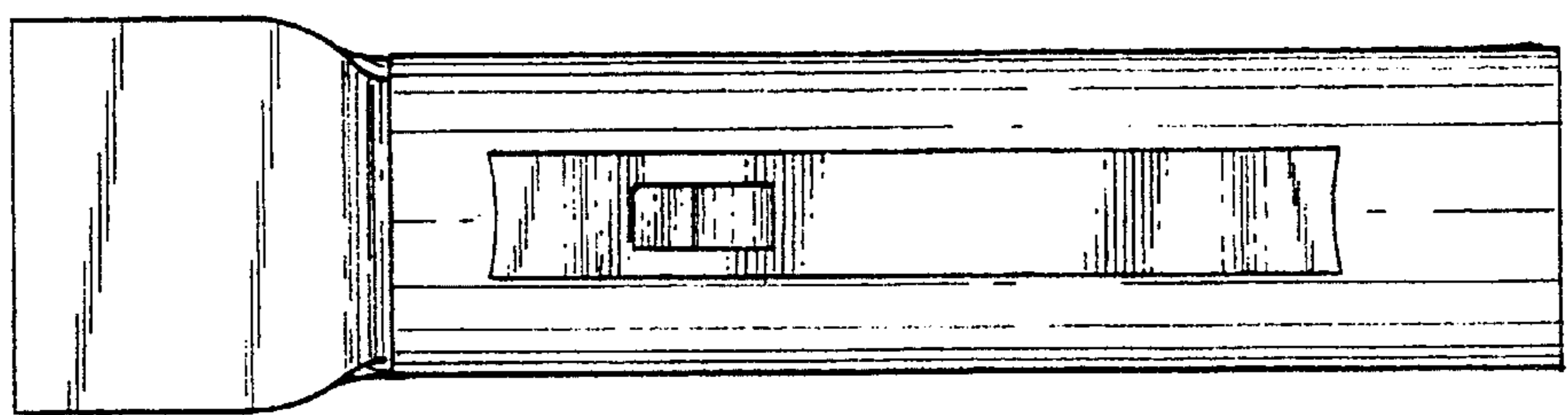


FIG. 6

