



US00D368341S

# United States Patent [19] Pink

[11] Patent Number: **Des. 368,341**  
[45] Date of Patent: **\*\*Mar. 26, 1996**

[54] **CONVERTIBLE ELECTRIC BLOWER  
VACUUM**

[75] Inventor: **Anthony N. Pink**, Shorewood, Minn.

[73] Assignee: **The Toro Company**, Bloomington,  
Minn.

[\*\*] Term: **14 Years**

[21] Appl. No.: **31,005**

[22] Filed: **Nov. 14, 1994**

[52] U.S. Cl. .... **D32/15**

[58] Field of Search ..... **D32/15, 17-18,  
D32/21; 15/405, 344, 345; 239/DIG. 13,  
DIG. 21**

[56] **References Cited**

**U.S. PATENT DOCUMENTS**

D. 279,319	6/1985	McCloskey et al. ....	D32/15
D. 297,870	9/1988	Kiyooka et al. ....	D32/15
D. 299,074	12/1988	Tuggle et al. ....	D32/15
D. 299,570	1/1989	Kiyooka et al. ....	D32/15
D. 299,571	1/1989	Kiyooka et al. ....	D32/15
D. 304,510	11/1989	Baker et al. ....	D32/15
D. 310,437	9/1990	Gierke et al. ....	D32/15
D. 344,615	2/1994	Berfield et al. ....	D32/15
D. 346,049	4/1994	Iida ....	D32/15
D. 349,983	8/1994	Tuggle et al. ....	D32/15
D. 352,579	11/1994	Baker et al. ....	D32/15
D. 358,912	5/1995	Baker et al. ....	D32/15
4,223,419	9/1980	Sato et al. ....	15/327 C

4,288,886	9/1981	Siegler .....	15/330
4,325,163	4/1982	Mattson et al. ....	15/330
4,413,371	11/1983	Tuggle et al. ....	15/405
4,452,316	6/1984	Edwards .....	172/41
4,461,055	7/1984	Zerrer et al. ....	15/344
4,615,069	10/1986	Henning .....	15/326
4,644,606	2/1987	Luerken et al. ....	15/330
4,674,146	6/1987	Tuggle et al. ....	15/330
4,694,528	9/1987	Comer et al. ....	15/330
4,746,274	5/1988	Kiyooka et al. ....	417/234
4,756,668	7/1988	Gassen et al. ....	416/247 R
4,870,714	10/1989	Miner .....	15/327 C
5,035,586	7/1991	Sadler et al. ....	417/363
5,222,275	6/1993	Baker et al. ....	15/329

*Primary Examiner*—Ruth McInroy  
*Attorney, Agent, or Firm*—Donald S. Trevarthen

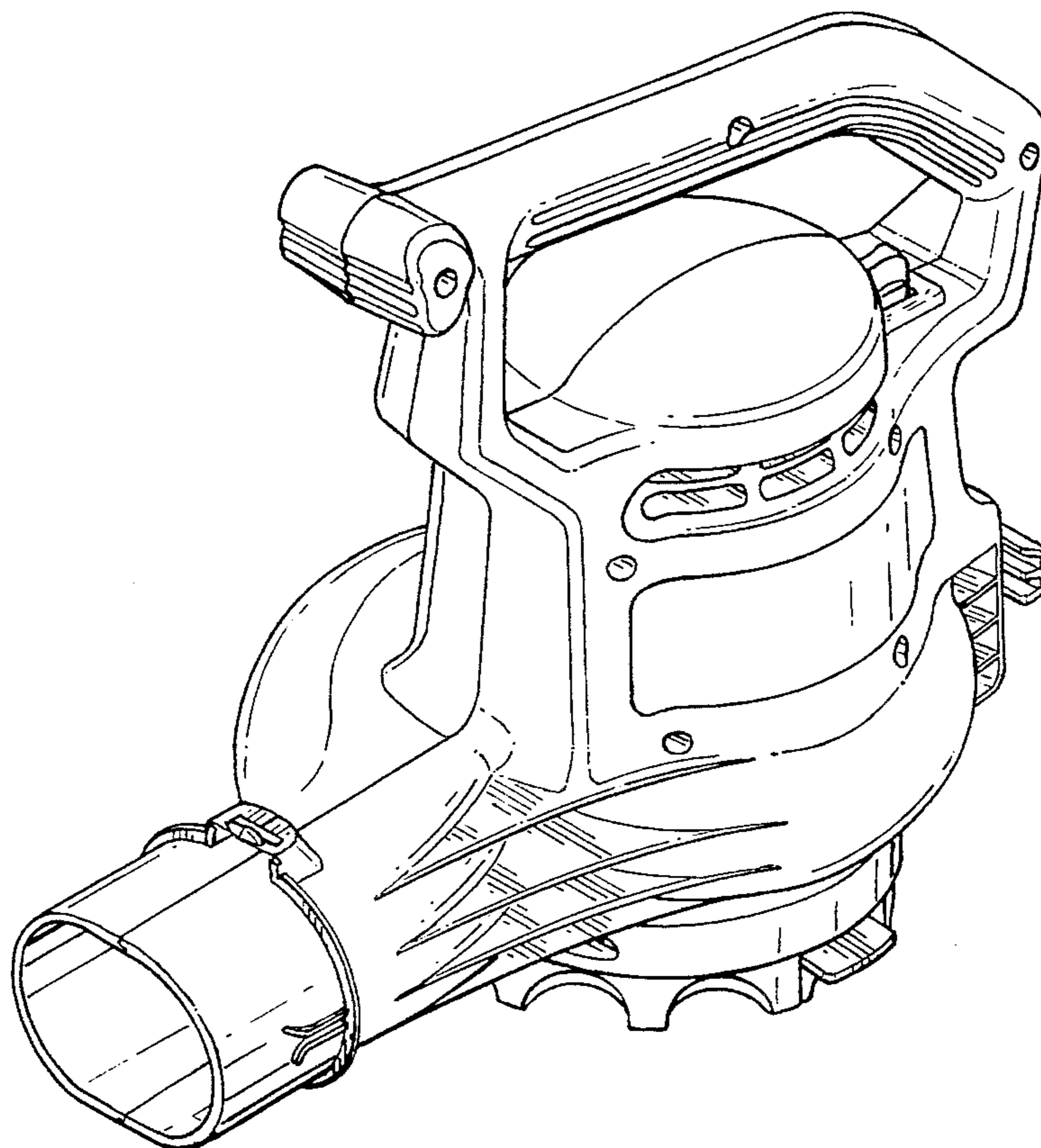
[57] **CLAIM**

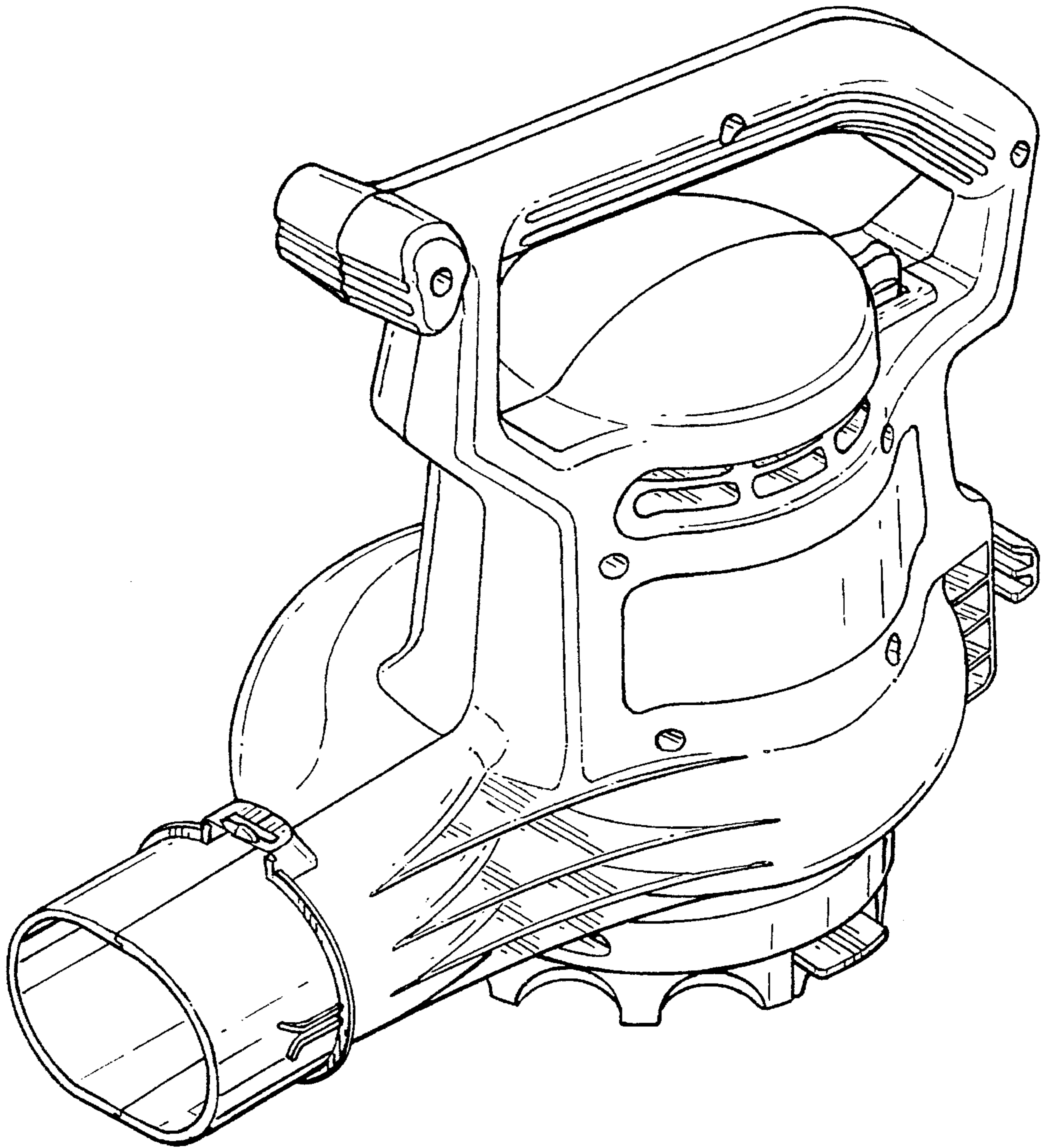
The ornamental design for a convertible electric blower vacuum, substantially as shown.

**DESCRIPTION**

FIG. 1 is a perspective view of a convertible electric blower vacuum showing primarily the top, front and left side of my new design;  
FIG. 2 is a left side elevational view thereof;  
FIG. 3 is a rear elevational view thereof;  
FIG. 4 is a front elevational view thereof;  
FIG. 5 is a right side elevational view thereof;  
FIG. 6 is a top plan view thereof; and,  
FIG. 7 is a bottom plan view thereof.

**1 Claim, 4 Drawing Sheets**





**FIG. 1**

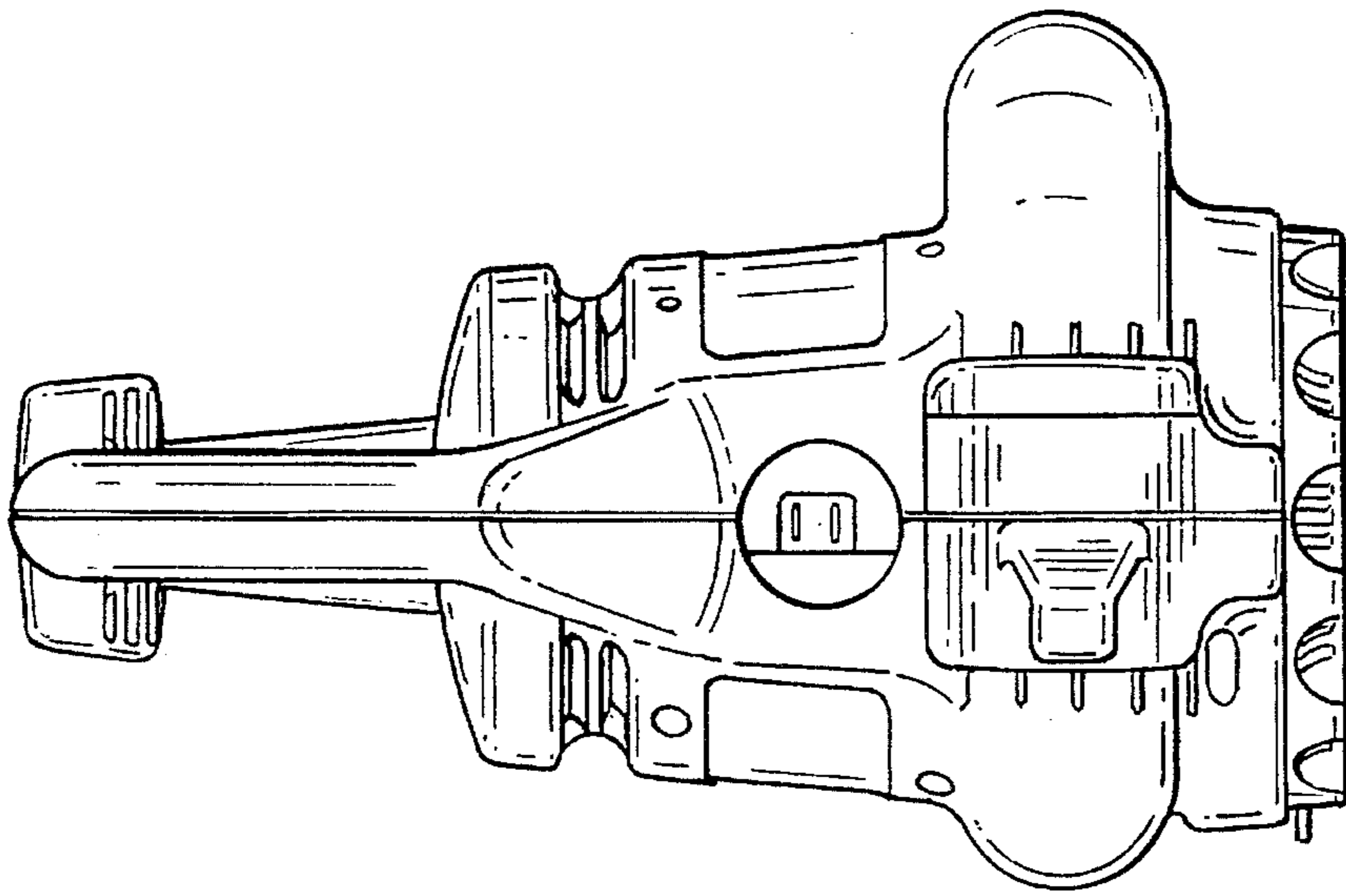


FIG. 3

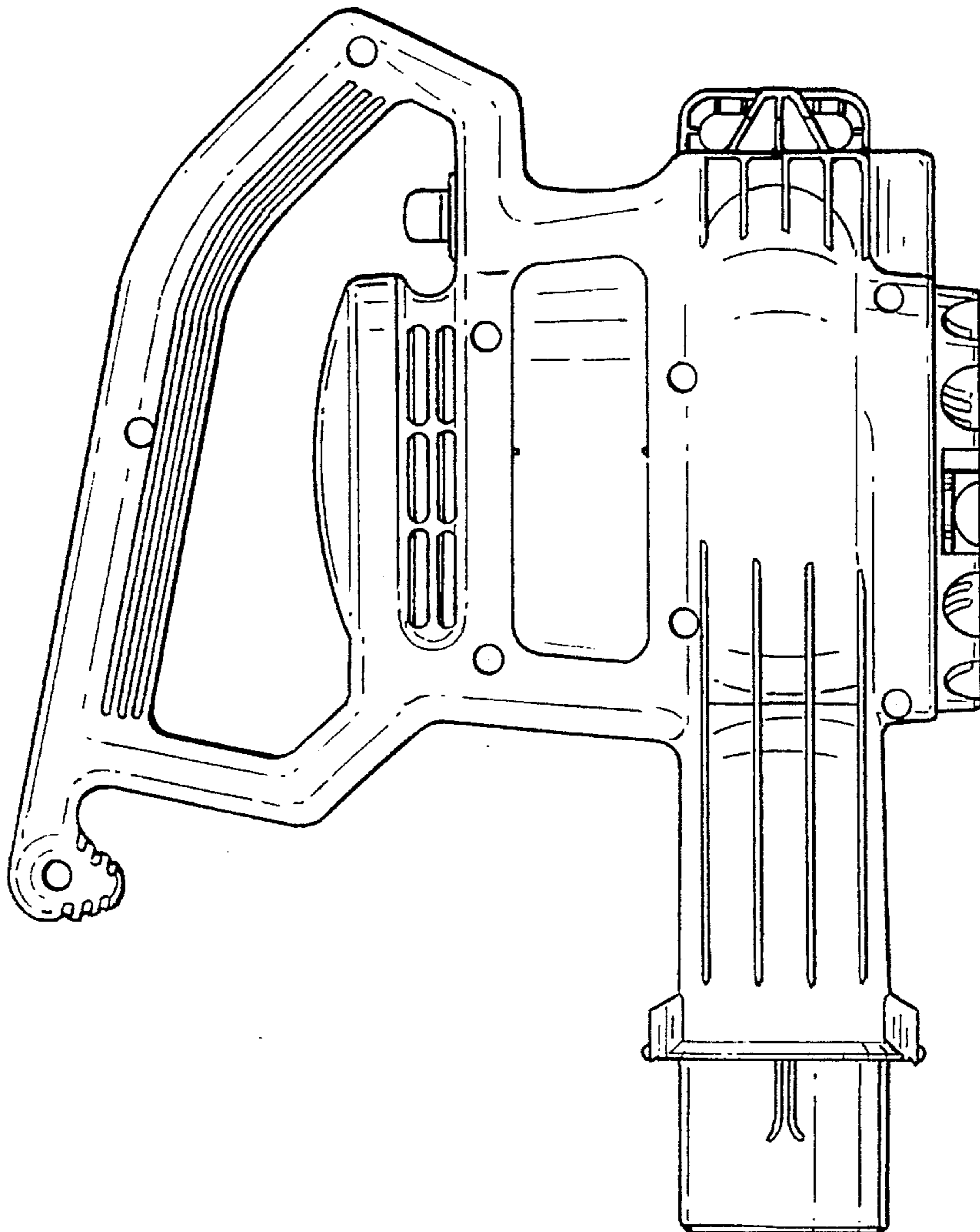


FIG. 2

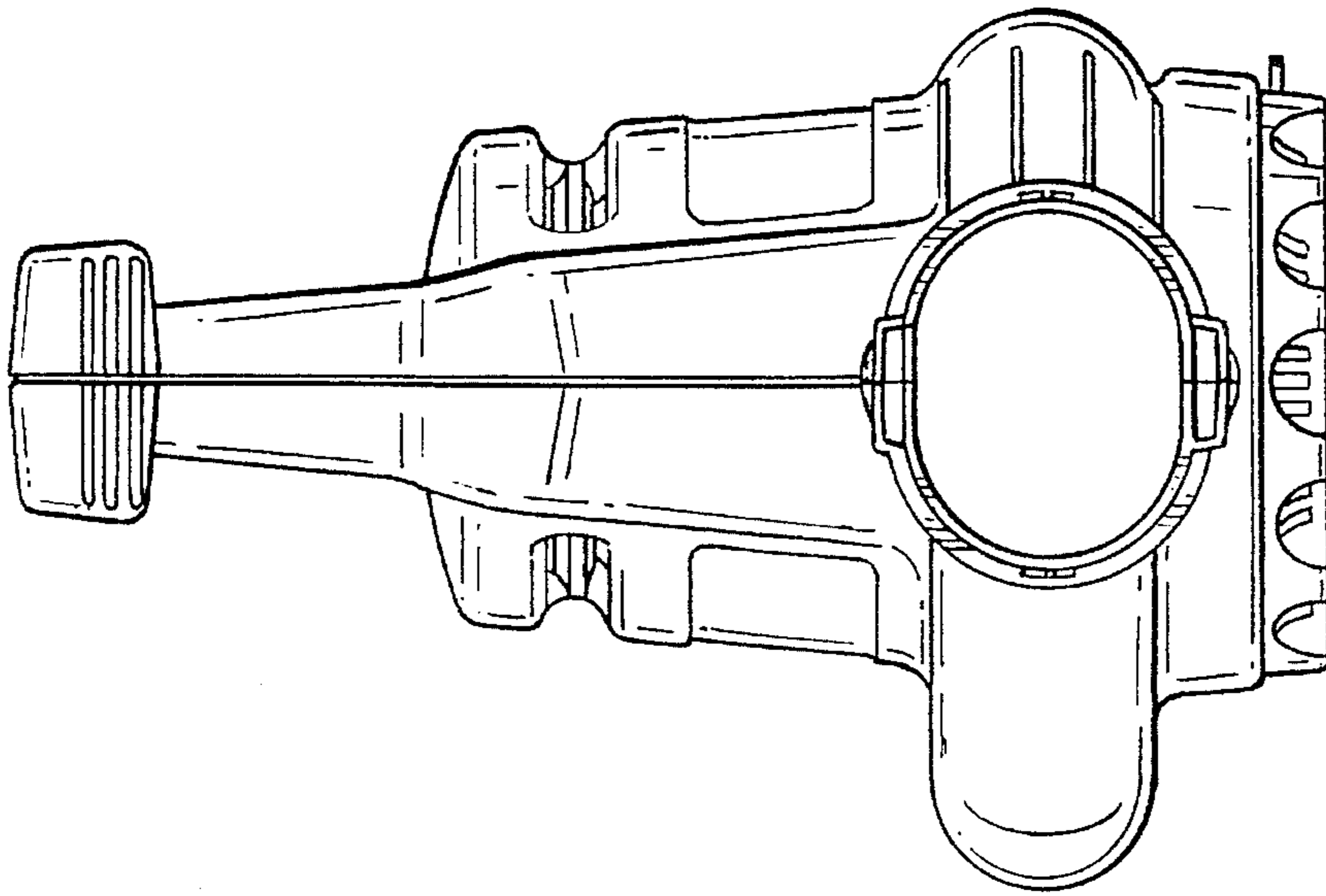


FIG. 4

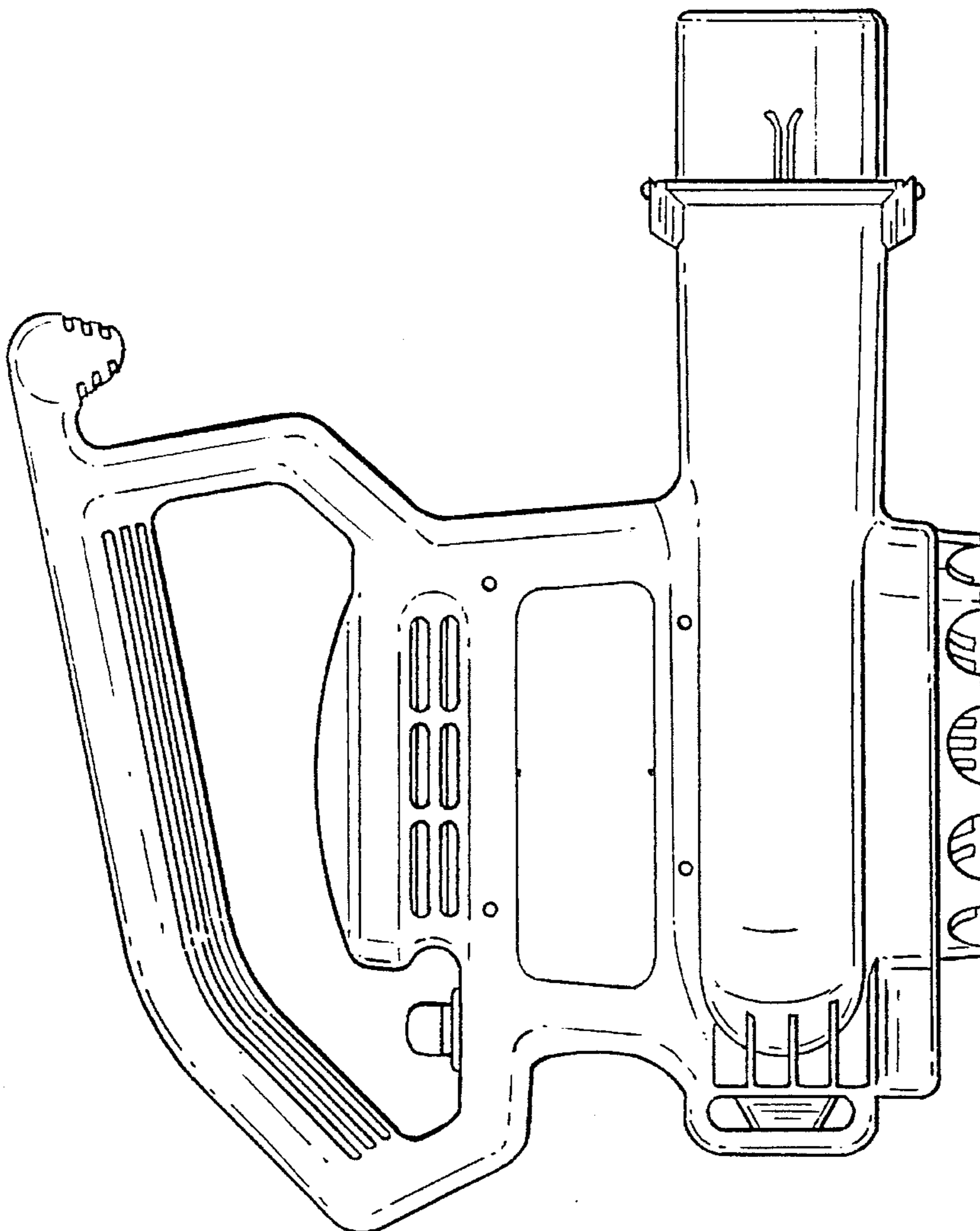
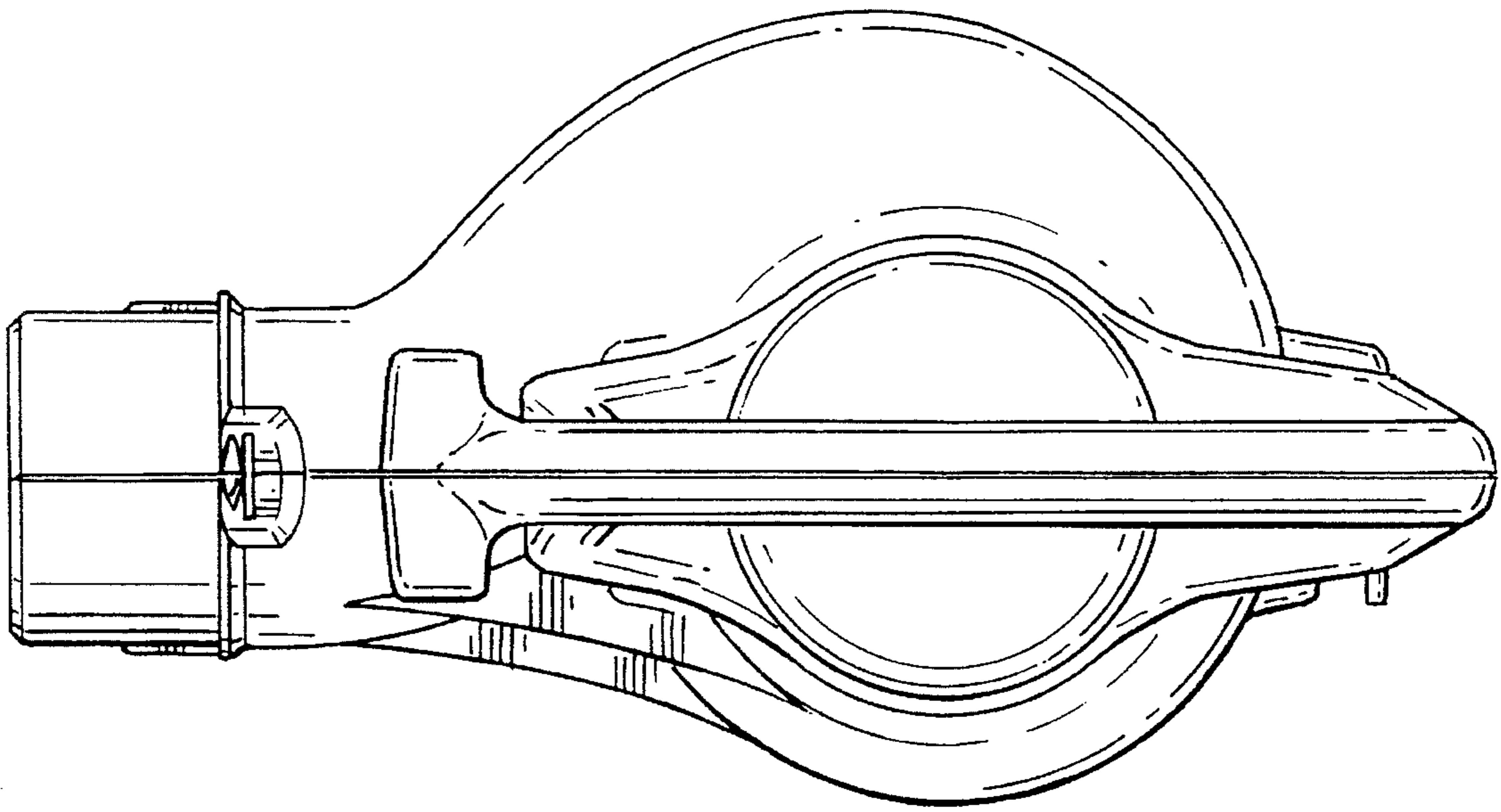
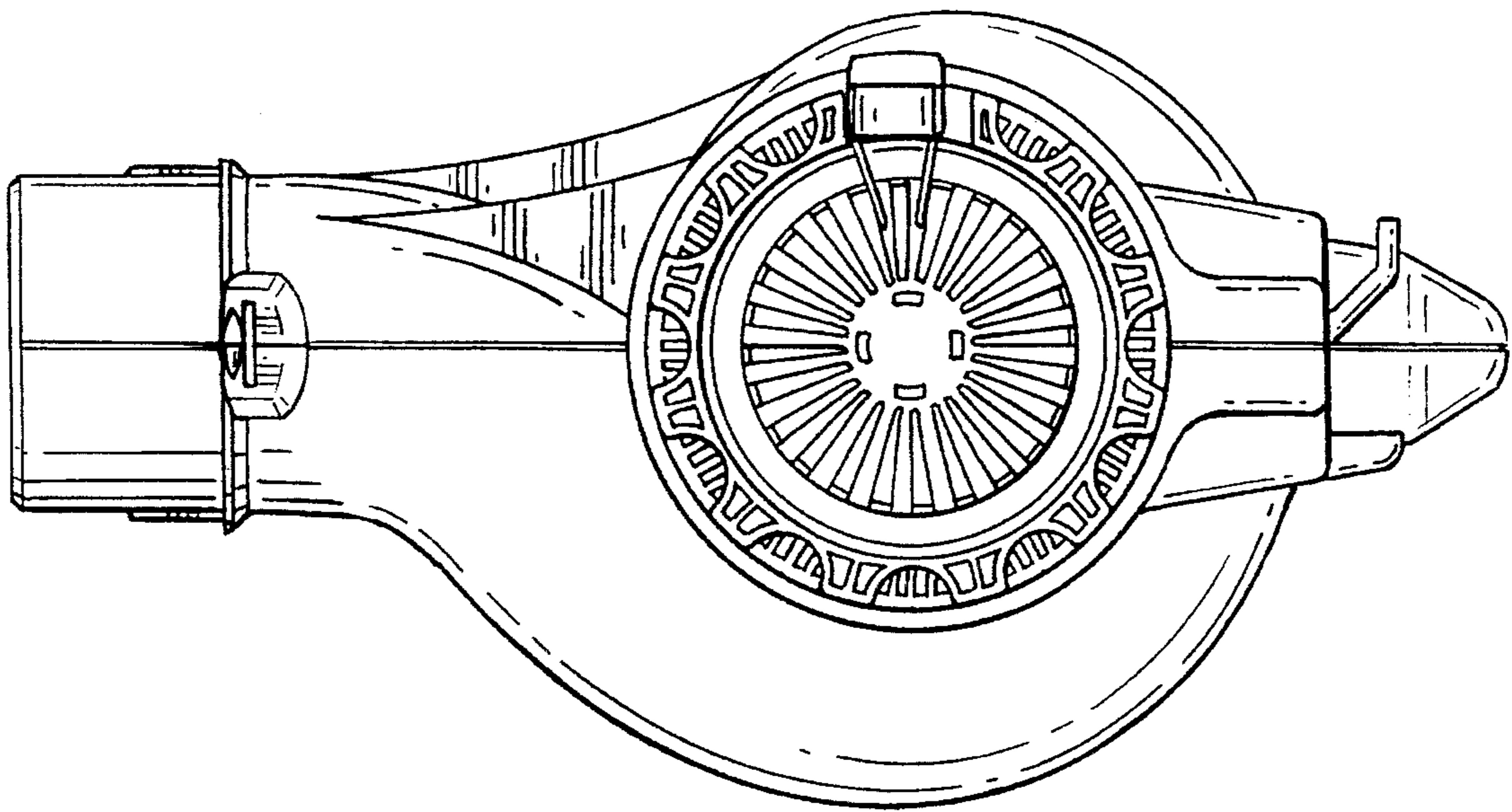


FIG. 5



*FIG. 6*



*FIG. 7*