



US00D368340S

United States Patent [19]

Mussmacher et al.

[11] Patent Number: **Des. 368,340**

[45] Date of Patent: ****Mar. 26, 1996**

[54] **FLEXIBLE NET FOR A DISHWASHER RACK**

5,121,843	6/1992	Elder	211/41
5,201,826	4/1993	Zimmerman	211/41
5,294,008	3/1994	Dunaway	211/41

[76] Inventors: **Christine Mussmacher; Arthur J. Dean, Jr.**, both of 217 Joslen Blvd., Hudson, N.Y. 12534

Primary Examiner—Alan P. Douglas
Assistant Examiner—Stacia Sinuik
Attorney, Agent, or Firm—Kevin A. Sembrat

[**] Term: **14 Years**

[57] **CLAIM**

[21] Appl. No.: **30,767**

The ornamental design for a flexible net for a dishwasher rack, as shown and described.

[22] Filed: **Nov. 7, 1994**

[52] U.S. Cl. **32/3**

DESCRIPTION

[58] Field of Search D32/3, 25; 211/41, 211/89, 181, 74; 248/499; D7/409

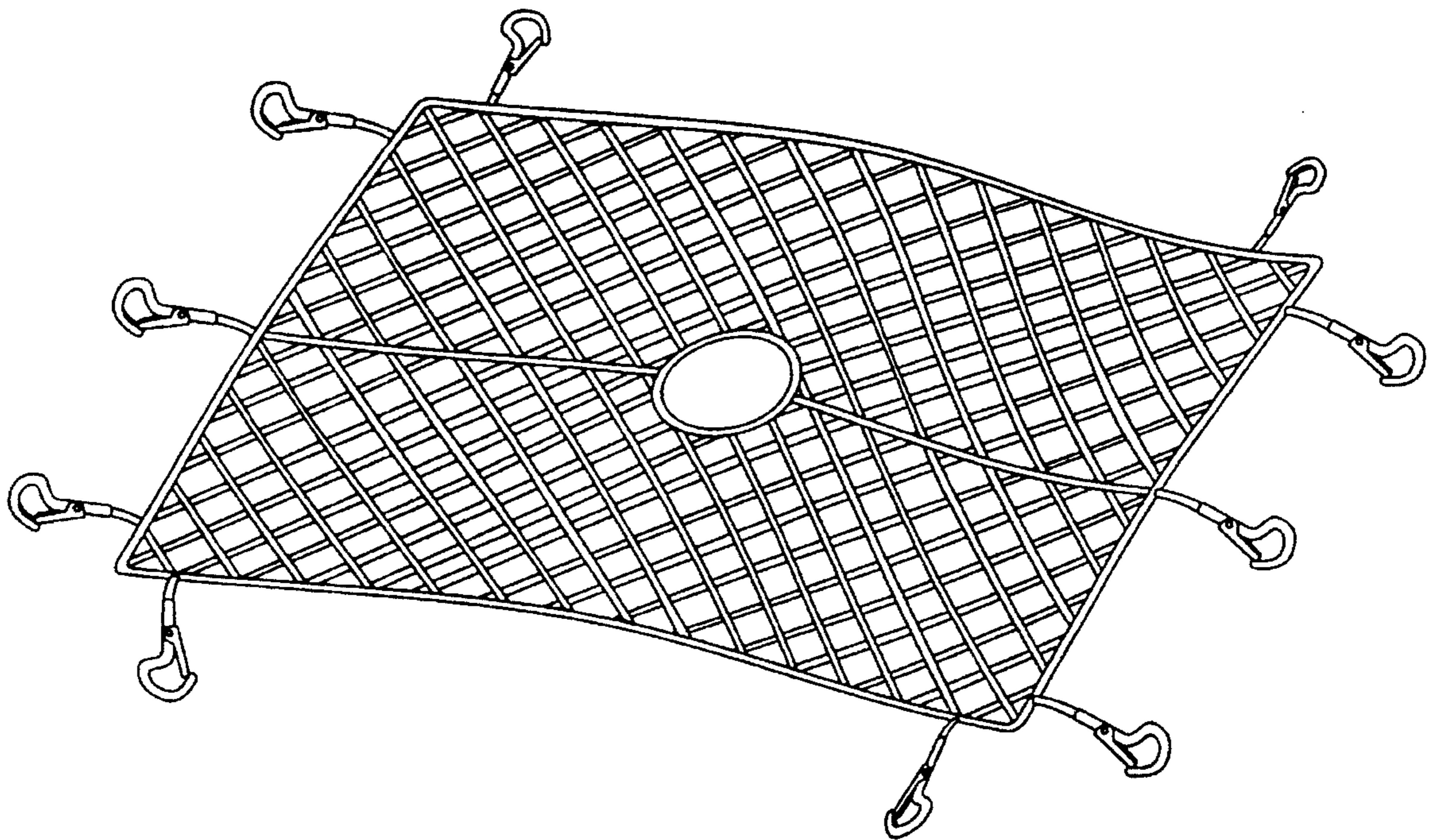
FIG. 1 is a top, front and right side perspective view of a flexible net for a dishwasher rack showing my new design; FIG. 2 is a top plan view thereof; FIG. 3 is a bottom plan view thereof; FIG. 4 is a front elevational view thereof, with the rear constituting a mirror-image of the front; and, FIG. 5 is a right side elevational view thereof, with the left side constituting a mirror-image of the right side.

[56] **References Cited**

U.S. PATENT DOCUMENTS

D. 314,256	1/1991	Patera et al.	D32/3
D. 338,750	8/1993	Chandler	D32/3
D. 362,520	9/1995	Lunsford	32/3
4,832,206	5/1989	Cunningham	211/41
4,974,806	12/1990	Matern	248/499
5,114,019	5/1992	Sandbank	211/41

1 Claim, 2 Drawing Sheets



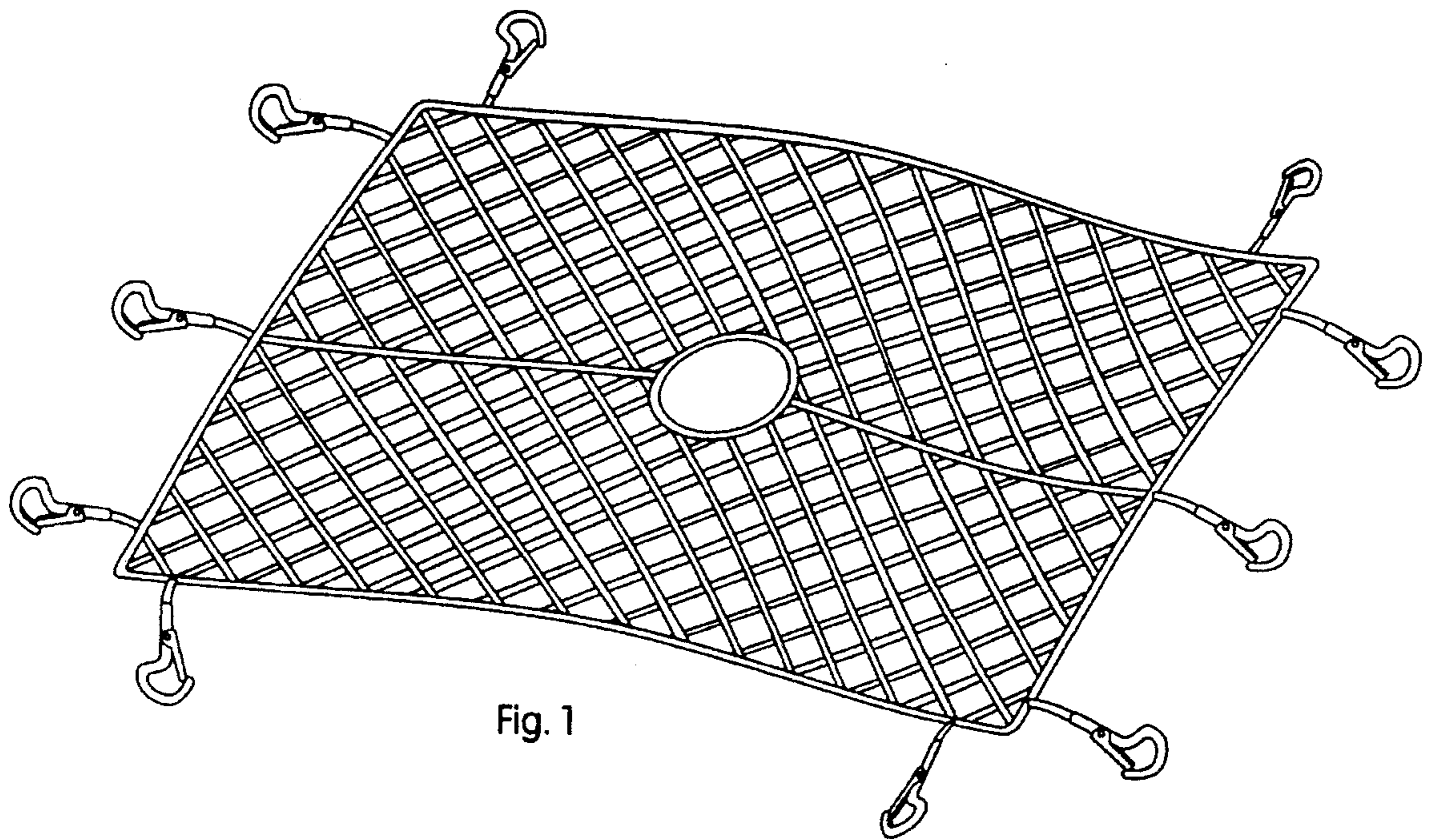


Fig. 1

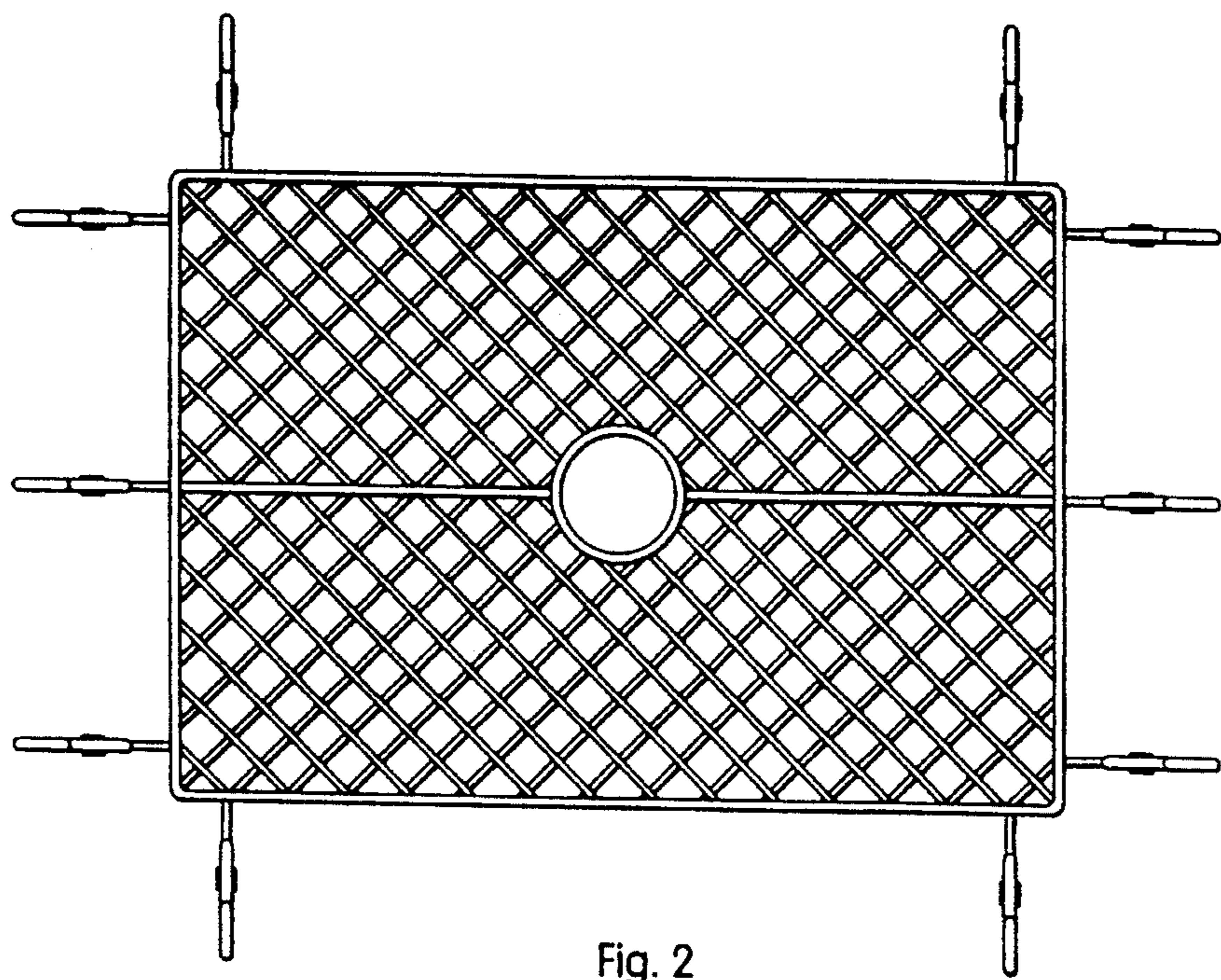


Fig. 2

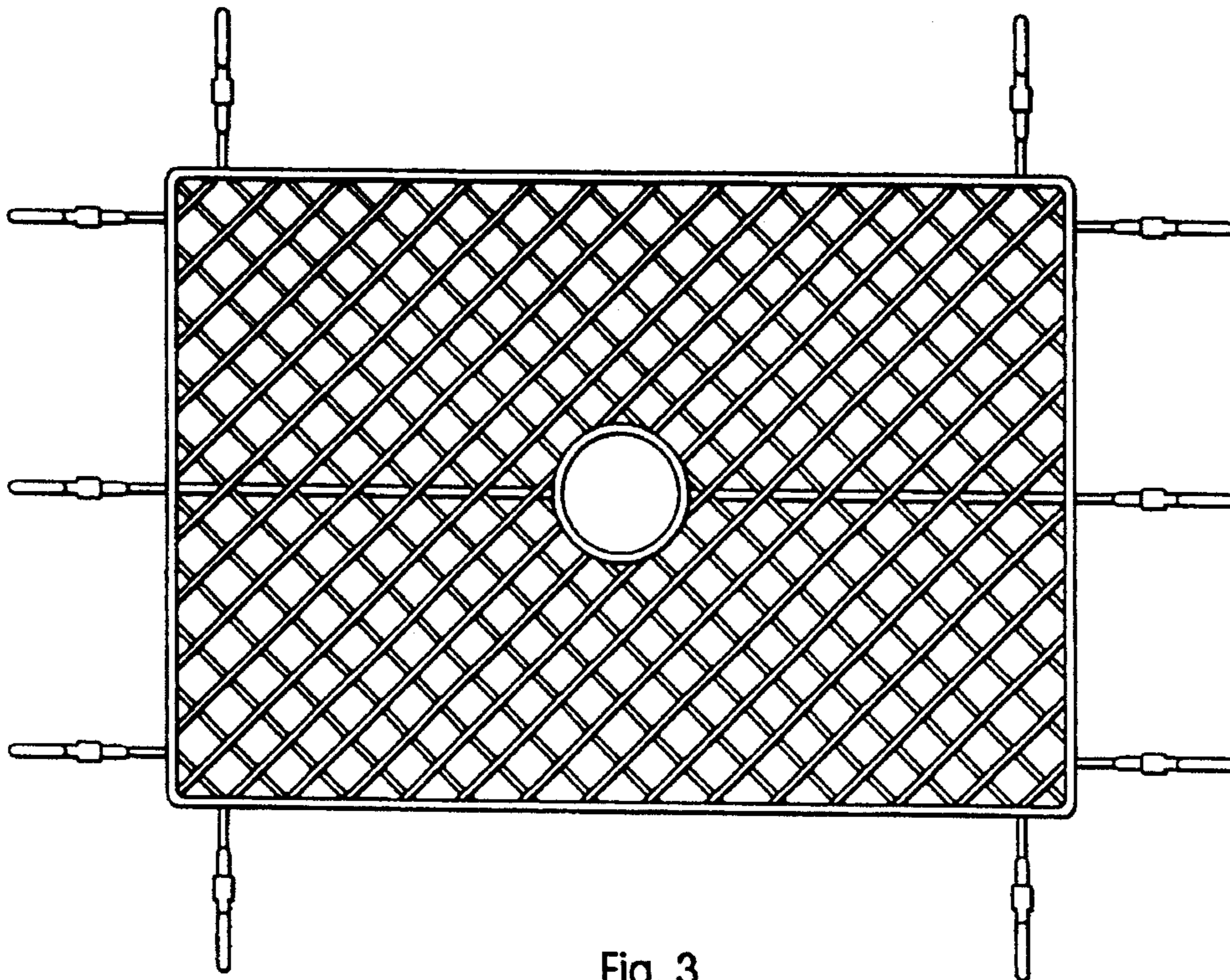


Fig. 3



Fig. 4



Fig. 5