



US00D368337S

United States Patent [19] Dickinson

[11] Patent Number: **Des. 368,337**

[45] Date of Patent: ****Mar. 26, 1996**

[54] **BIRD FEEDER**

D. 360,495	7/1995	Sanderson	D30/133
2,267,883	12/1941	Wood	119/77
3,316,884	5/1967	Viggars	119/52.3

[75] Inventor: **Frank R. Dickinson**, Granite, N.H.

[73] Assignee: **Pocket Mountain Enterprises, Inc.**,
Ossipee, N.H.

[**] Term: **14 Years**

[21] Appl. No.: **28,016**

[22] Filed: **Sep. 2, 1994**

[52] U.S. Cl. **D30/127**

[58] Field of Search D30/121, 123-128,
D30/132-133, 111; 119/57.8-57.9, 52.2-52.3,
77

[56] **References Cited**

U.S. PATENT DOCUMENTS

D. 174,139	3/1955	Sadler	D30/128
D. 273,429	4/1984	Kilham	D30/128
D. 289,094	3/1987	Stephen et al.	D30/125
D. 324,436	3/1992	Embree	D30/127
D. 326,003	5/1992	Embree	D30/128
D. 352,575	11/1994	Bransky et al.	D30/127

OTHER PUBLICATIONS

The Paragon Catalog; p. 7; Lighthouse Birdhouse.

Primary Examiner—Cathy Anne MacCormac
Attorney, Agent, or Firm—Davis, Bujold & Streck

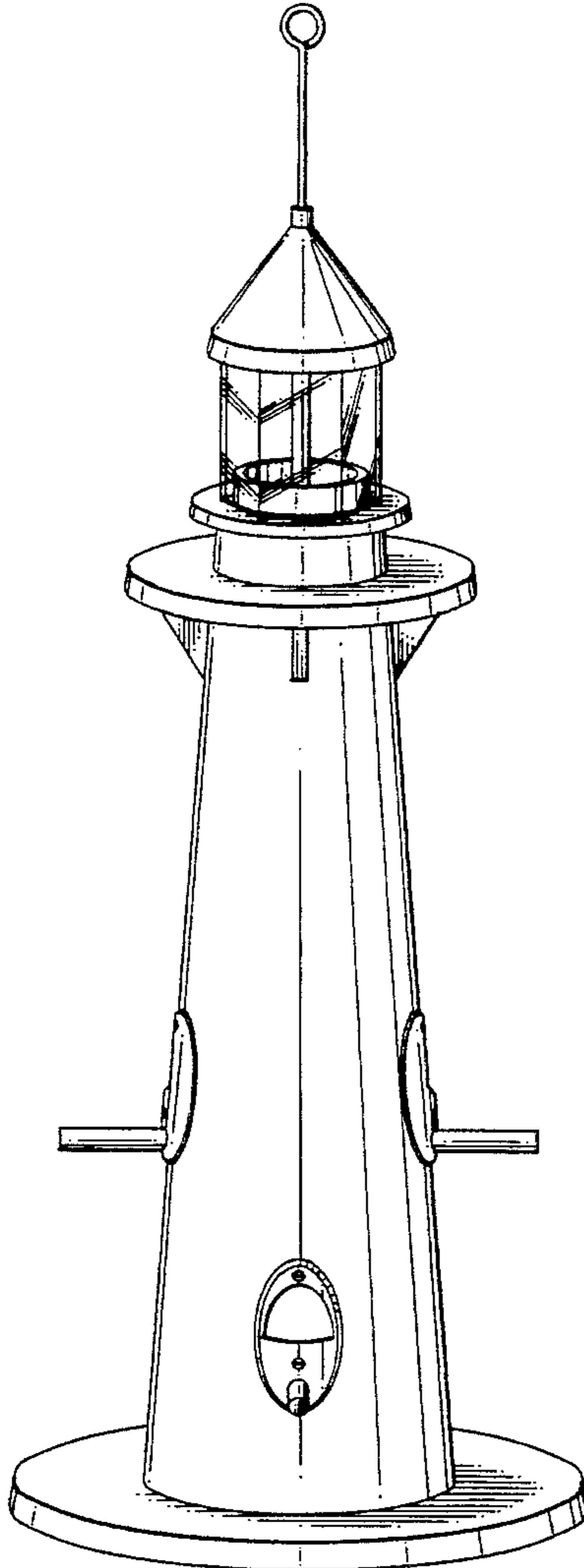
[57] **CLAIM**

The ornamental design for a bird feeder, as shown and described.

DESCRIPTION

FIG. 1 is a perspective view of a bird feeder embodying my new design;
 FIG. 2 is a front elevational view thereof, the rear view being a mirror image thereof;
 FIG. 3 is a left side view thereof, the right side view being a mirror image thereof;
 FIG. 4 is a bottom plan view thereof; and,
 FIG. 5 is a top plan view thereof.

1 Claim, 4 Drawing Sheets



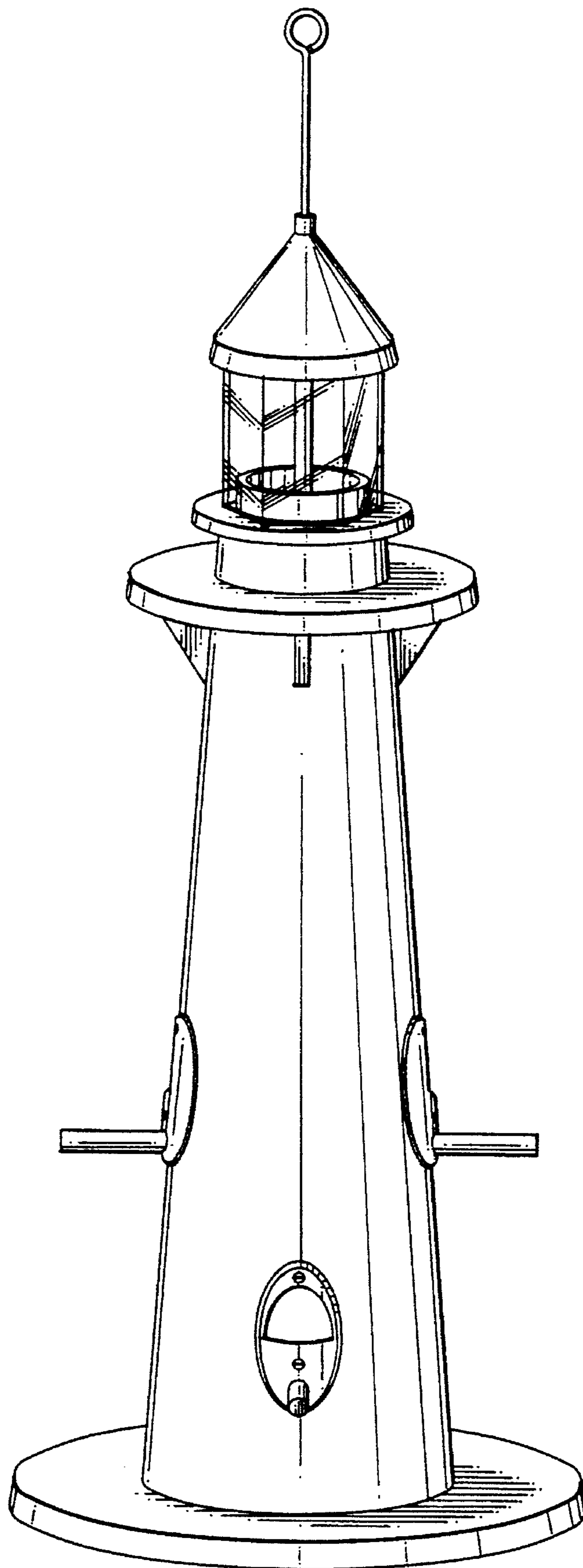
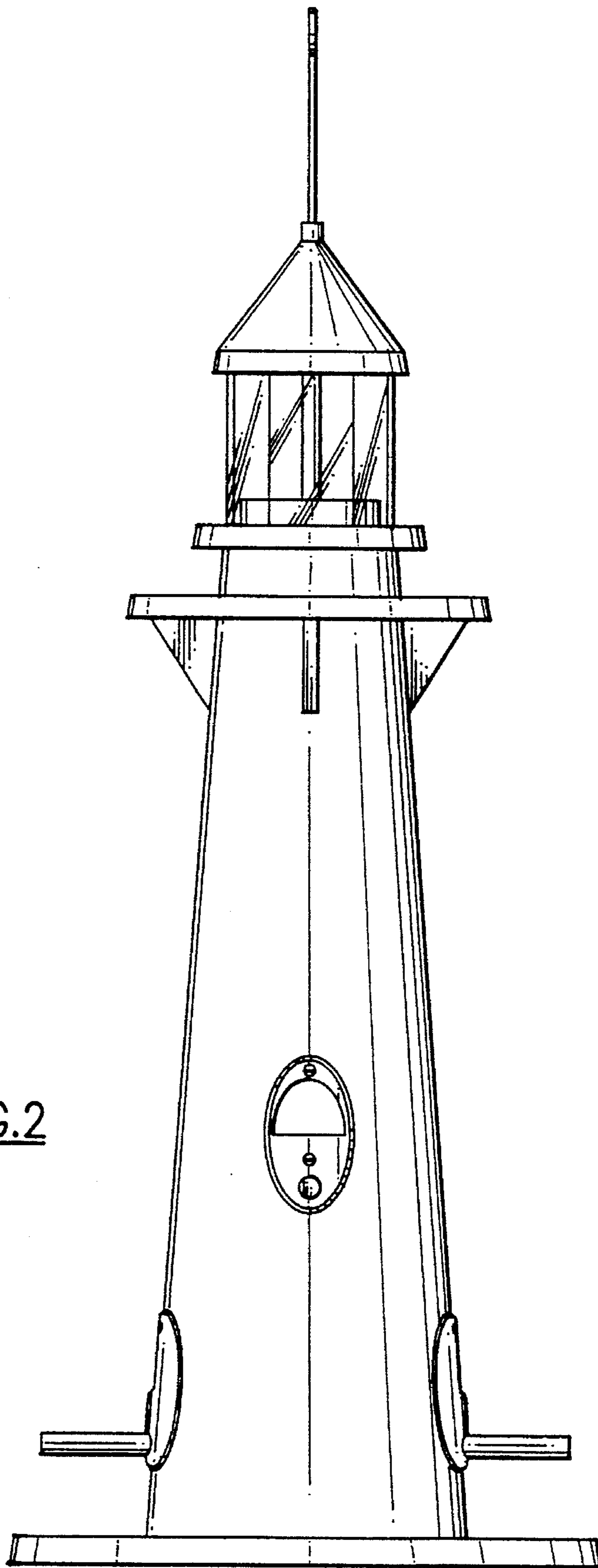


FIG. 1

FIG.2



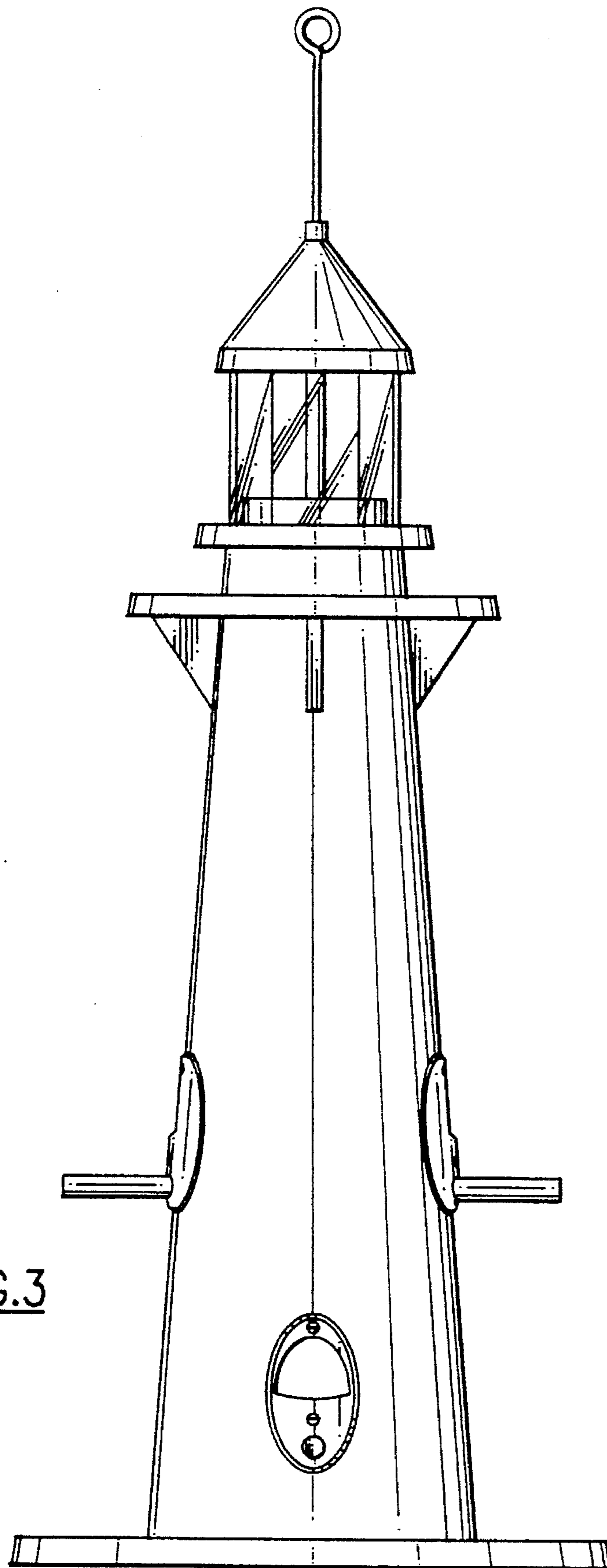


FIG. 3

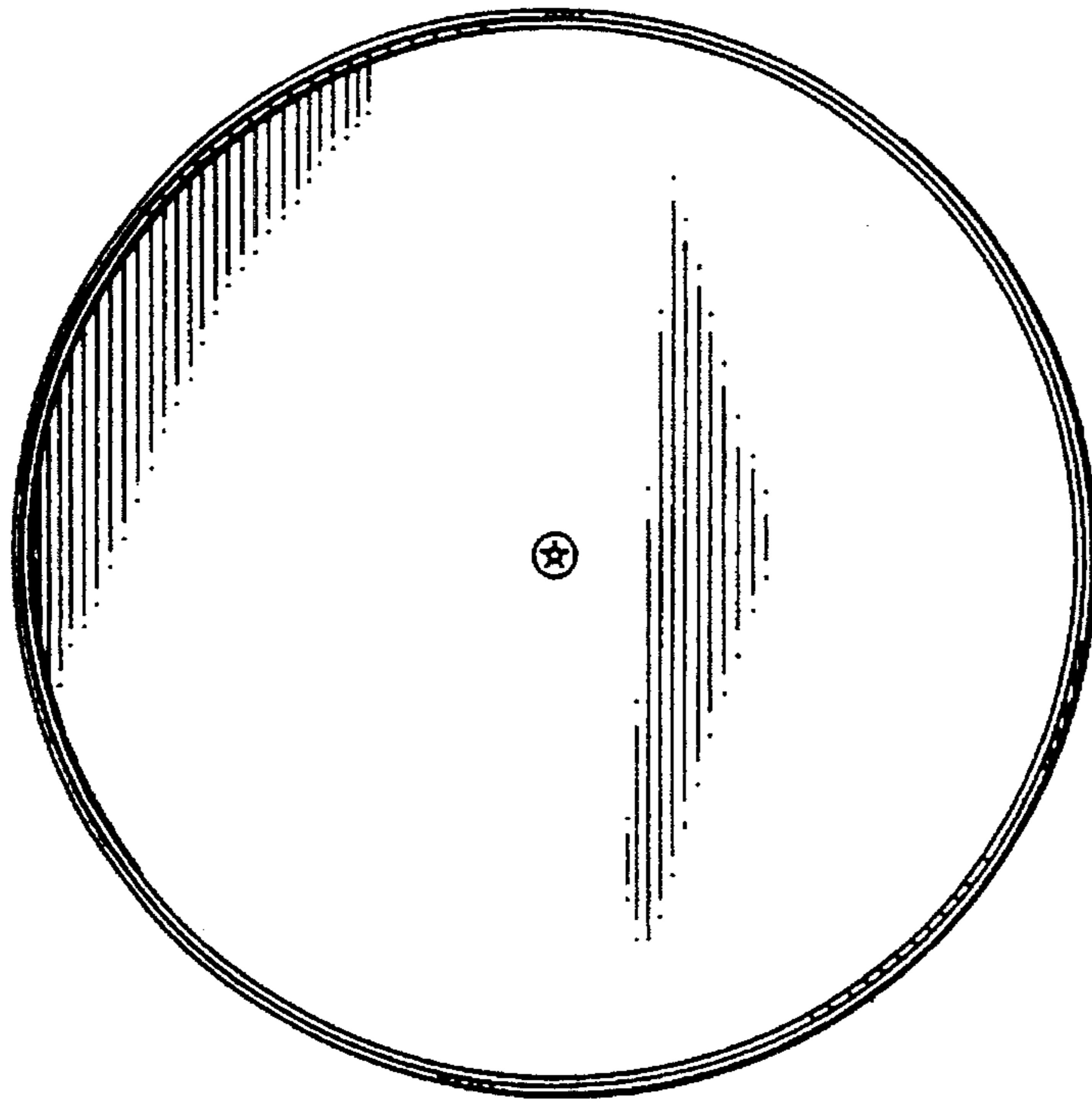


FIG. 4

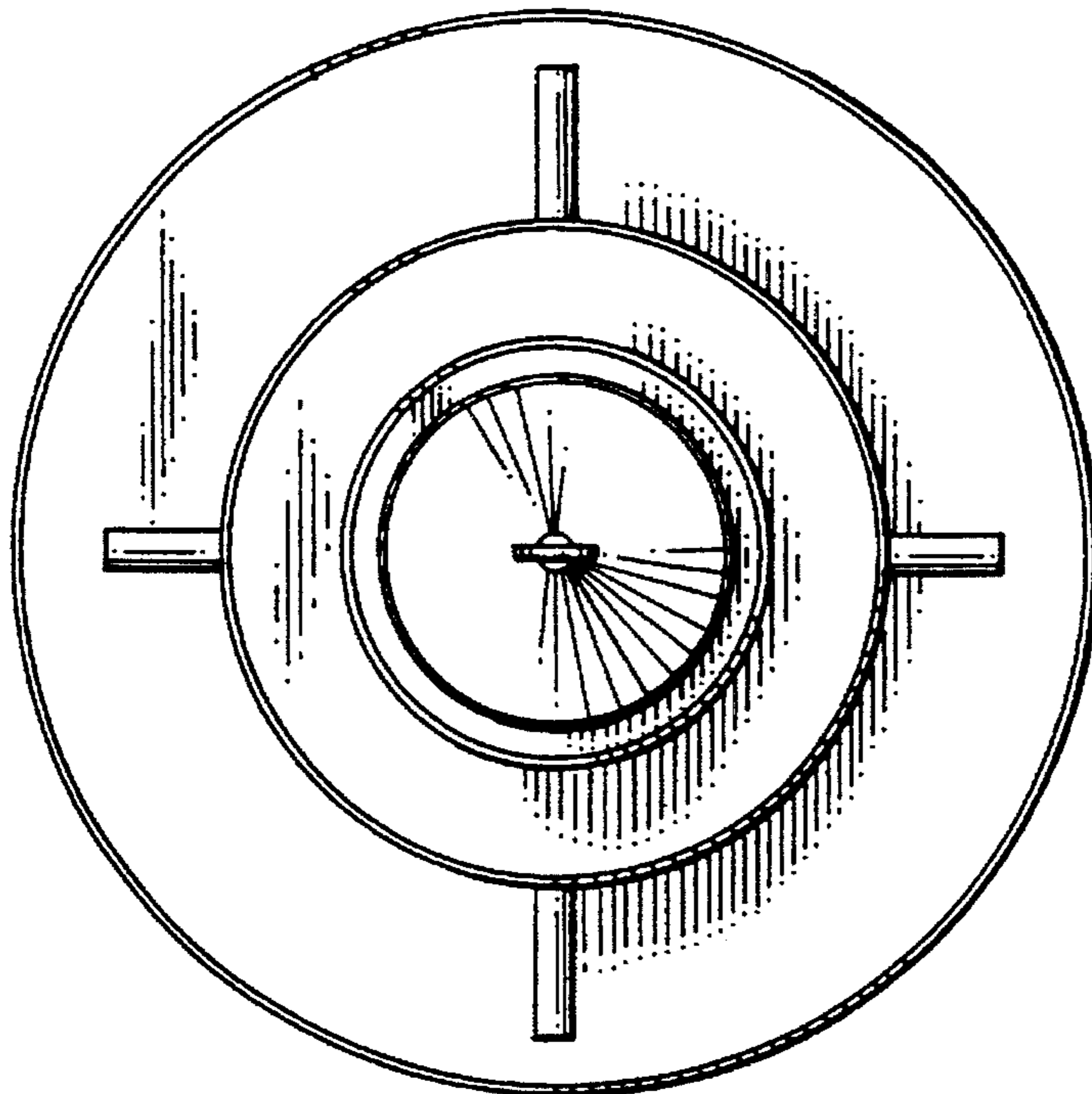


FIG. 5