



US00D368336S

# United States Patent [19] Brown

[11] Patent Number: **Des. 368,336**  
[45] Date of Patent: **\*\*Mar. 26, 1996**

## [54] BUTTERFLY FEEDER

[76] Inventor: **Arthur C. Brown**, P.O. Box 277, West Kingston, R.I. 02892

[\*\*] Term: **14 Years**

[21] Appl. No.: **29,046**

[22] Filed: **Sep. 28, 1994**

[52] U.S. Cl. .... **D30/121; D30/124**

[58] Field of Search ..... 119/6, 5, 72, 51.03,  
119/77; D30/124-128, 121, 122

## [56] References Cited

### U.S. PATENT DOCUMENTS

D. 194,846	3/1963	Parry	.....	D30/125
D. 234,615	3/1975	Kilham	.....	D30/125
D. 252,288	7/1979	Kilham	.....	D30/125
D. 278,167	3/1985	Kilham	.....	D30/121
D. 352,574	11/1994	Brown	.....	D30/121
3,913,527	10/1975	Kilham	.....	119/77
5,247,904	9/1993	Anderson	.....	119/77
5,269,258	12/1993	Brown	.....	119/72
5,303,674	4/1994	Hyde, jr.	.....	119/77
5,423,291	6/1995	Daugherty	.....	119/77

### FOREIGN PATENT DOCUMENTS

2384449	10/1978	France	.....	119/51.03
---------	---------	--------	-------	-----------

## OTHER PUBLICATIONS

Duncraft Catalog; p. 7; HummZinger Feeder.  
Duncraft Catalog; p. 7; Happy Eight Hummingbird Feeder.

*Primary Examiner*—Cathy Anne MacCormac  
*Attorney, Agent, or Firm*—Barlow & Barlow, Ltd.

## [57] CLAIM

The ornamental design for a butterfly feeder, as shown and described.

## DESCRIPTION

FIG. 1 is a perspective view of a butterfly feeder showing my new design;

FIG. 2 is a top plan view thereof;

FIG. 3 is an elevational view thereof;

FIG. 4 is a bottom plan view thereof;

FIG. 5 is a perspective view of an alternative embodiment of the butterfly feeder of FIG. 1;

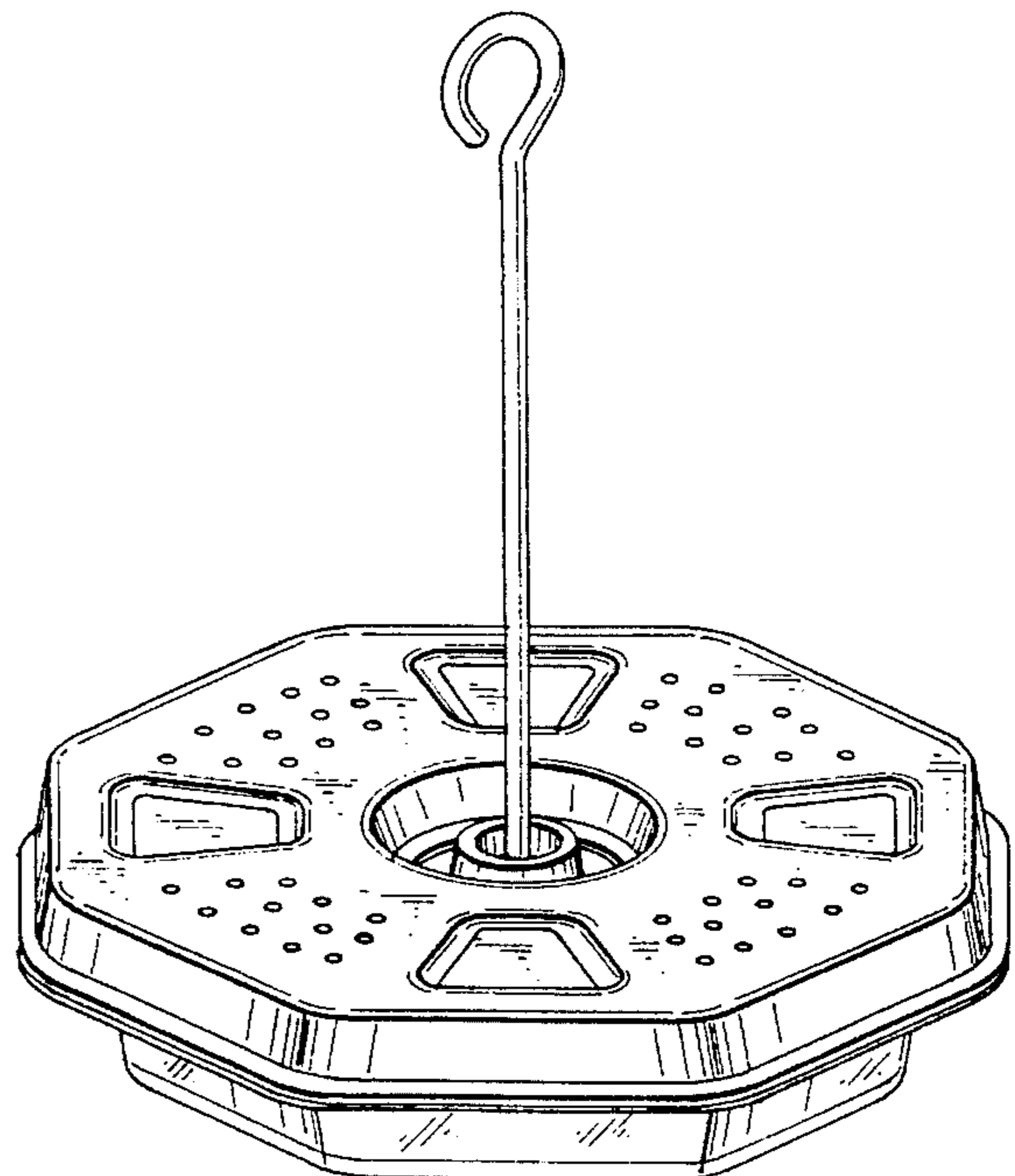
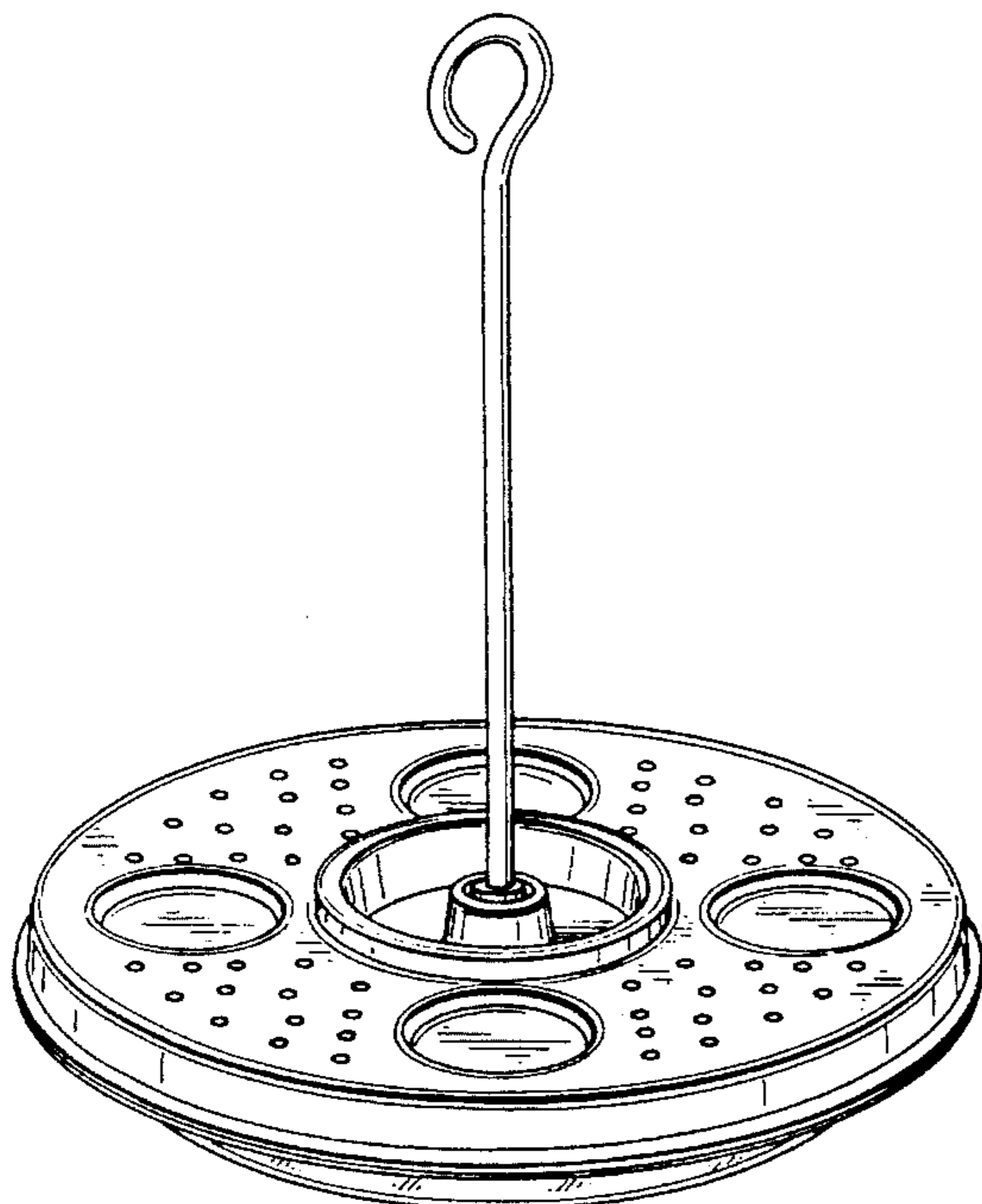
FIG. 6 is a top plan view of the butterfly feeder of FIG. 5;

FIG. 7 is an elevational view of the butterfly feeder of FIG. 5; and,

FIG. 8 is a bottom plan view of the butterfly feeder of FIG. 5.

The bottom of the feeder is plain and unornamented.

**1 Claim, 2 Drawing Sheets**



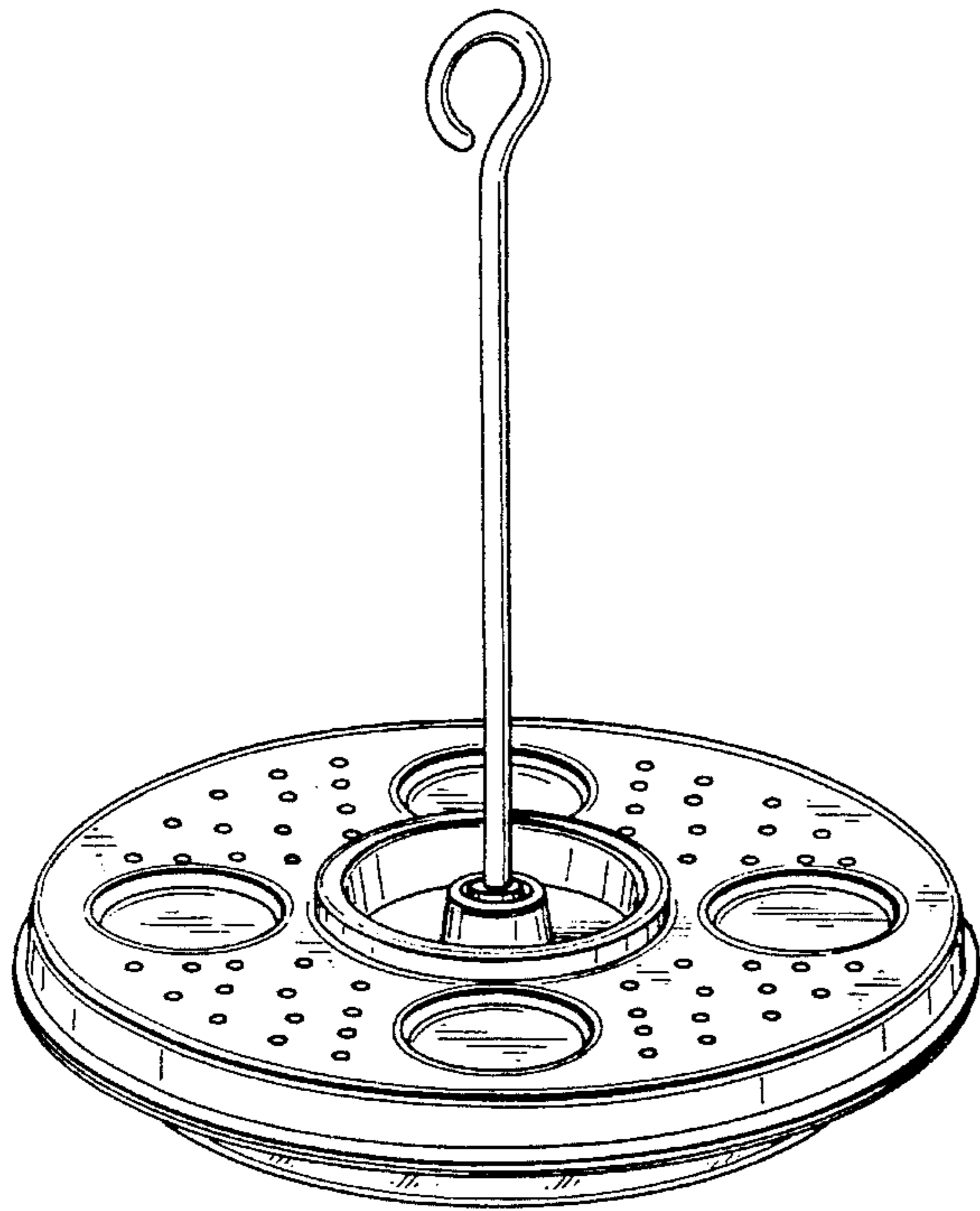


FIG. 1

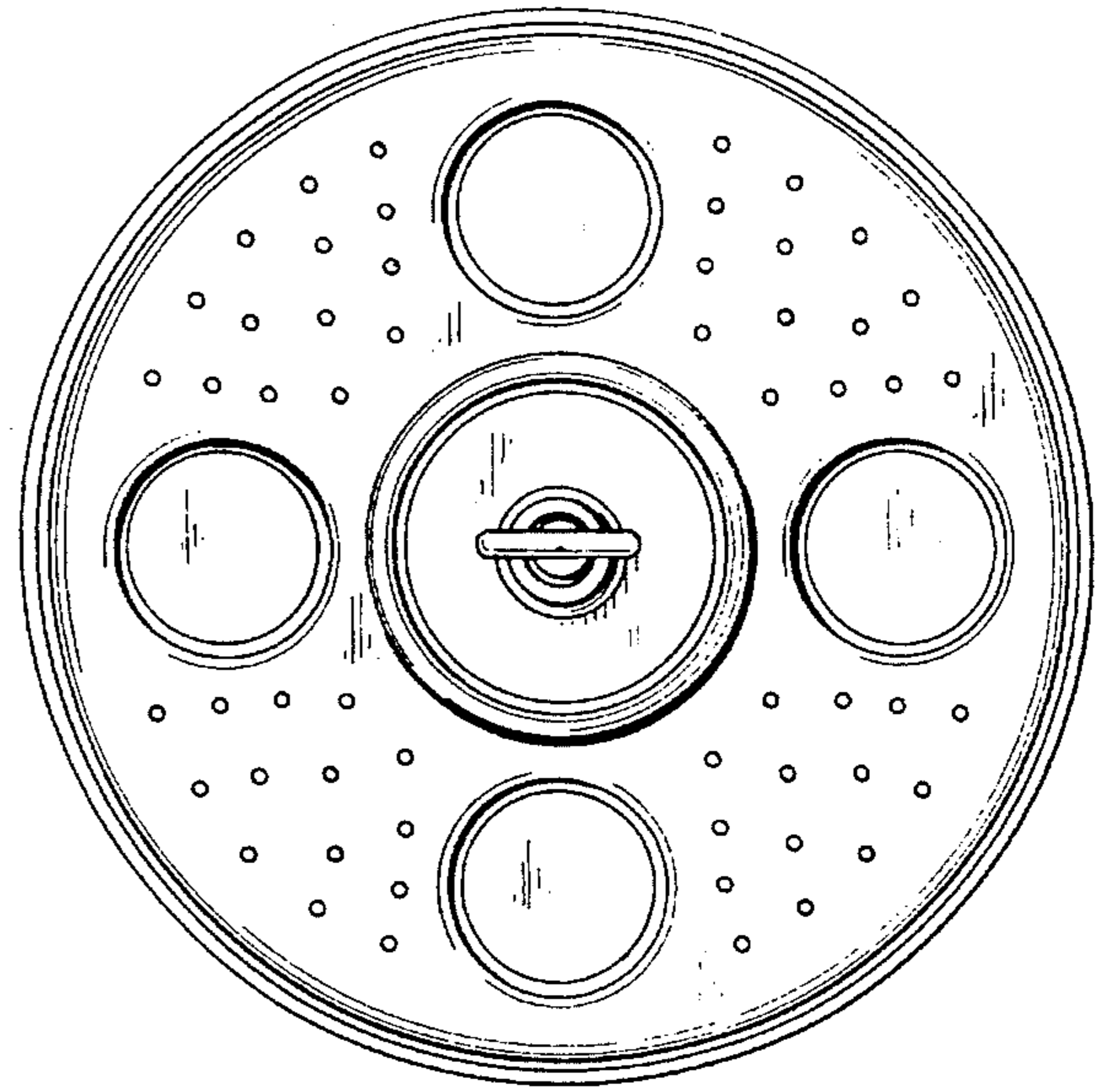


FIG. 2

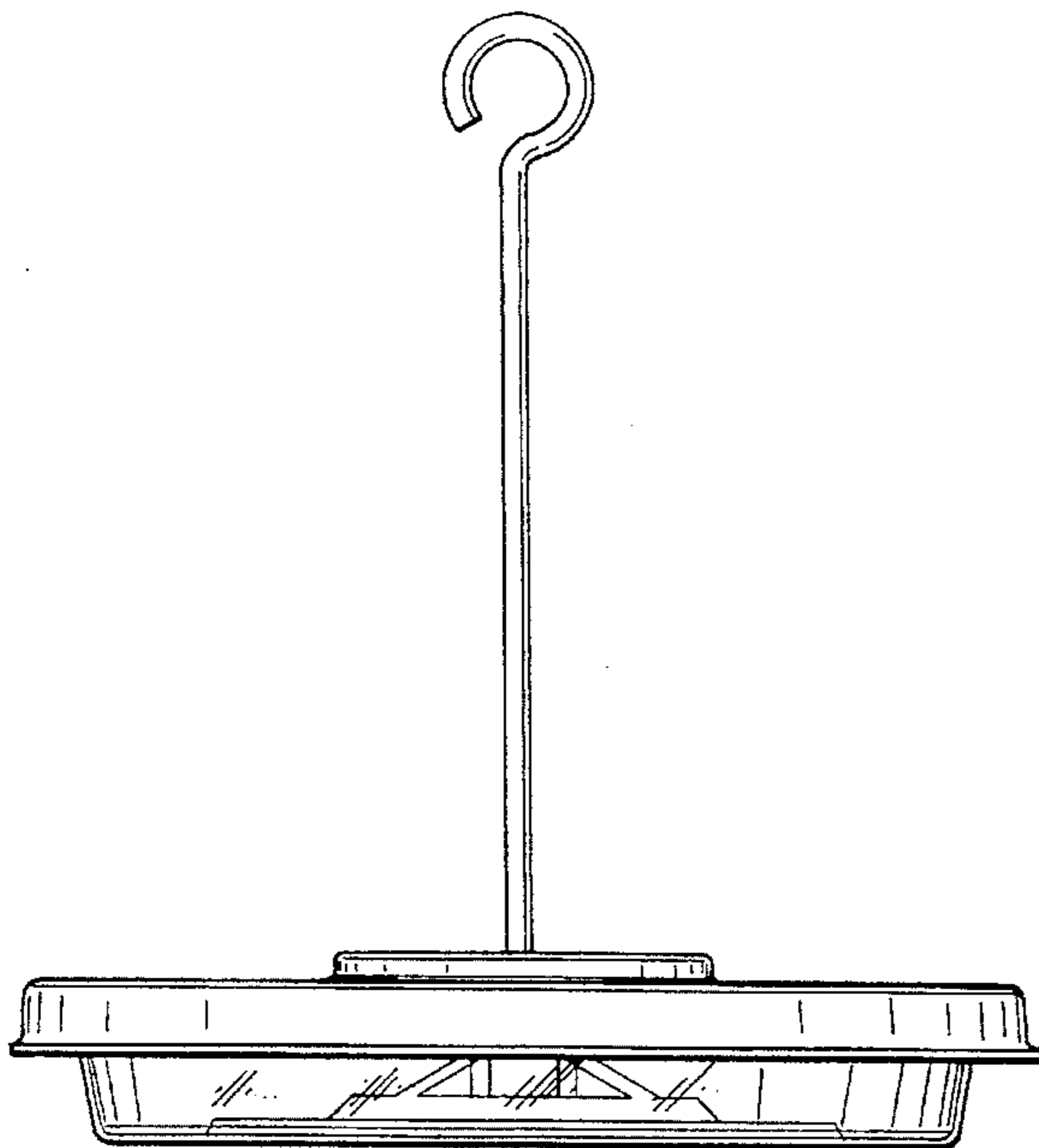


FIG. 3

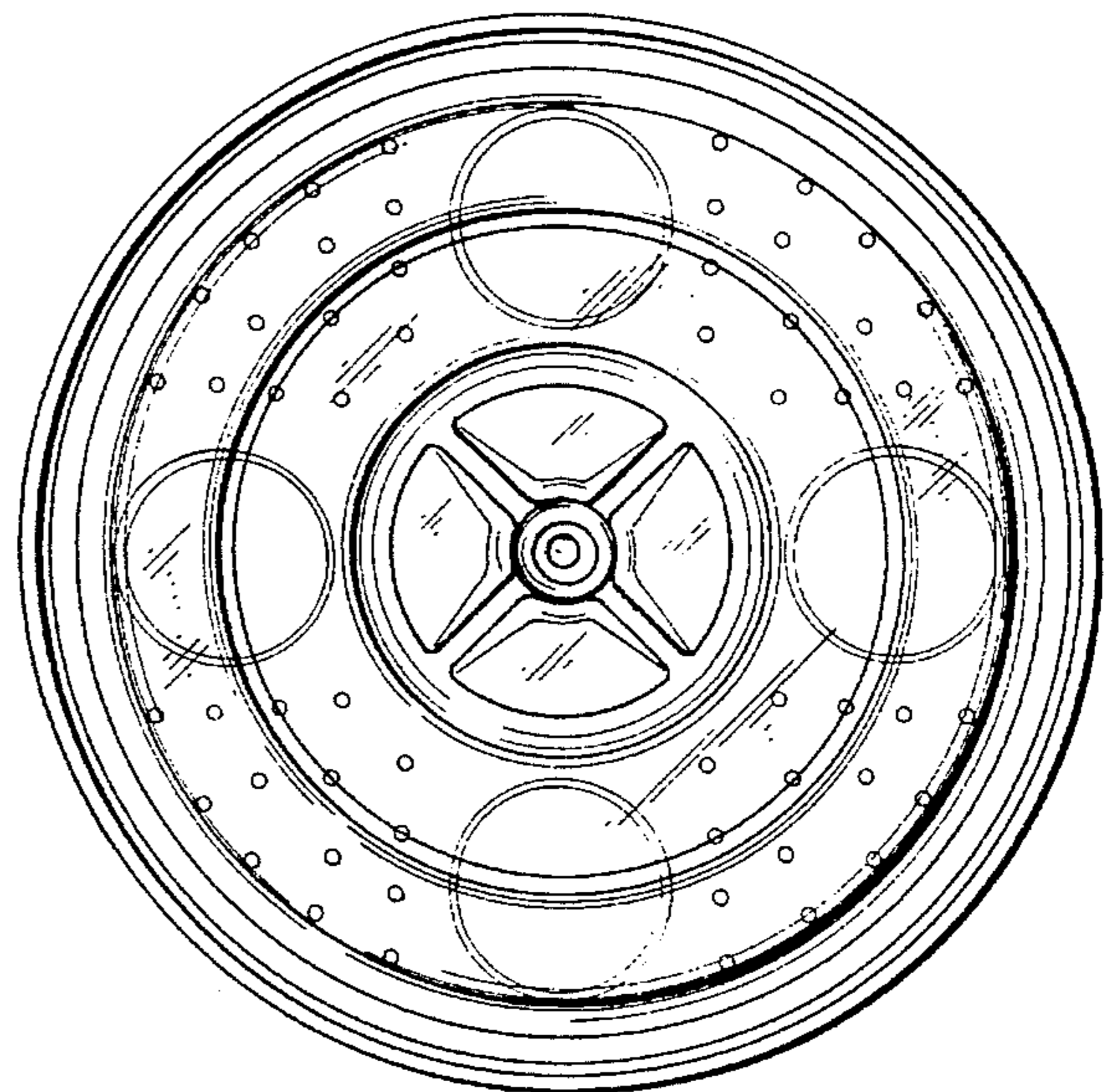


FIG. 4



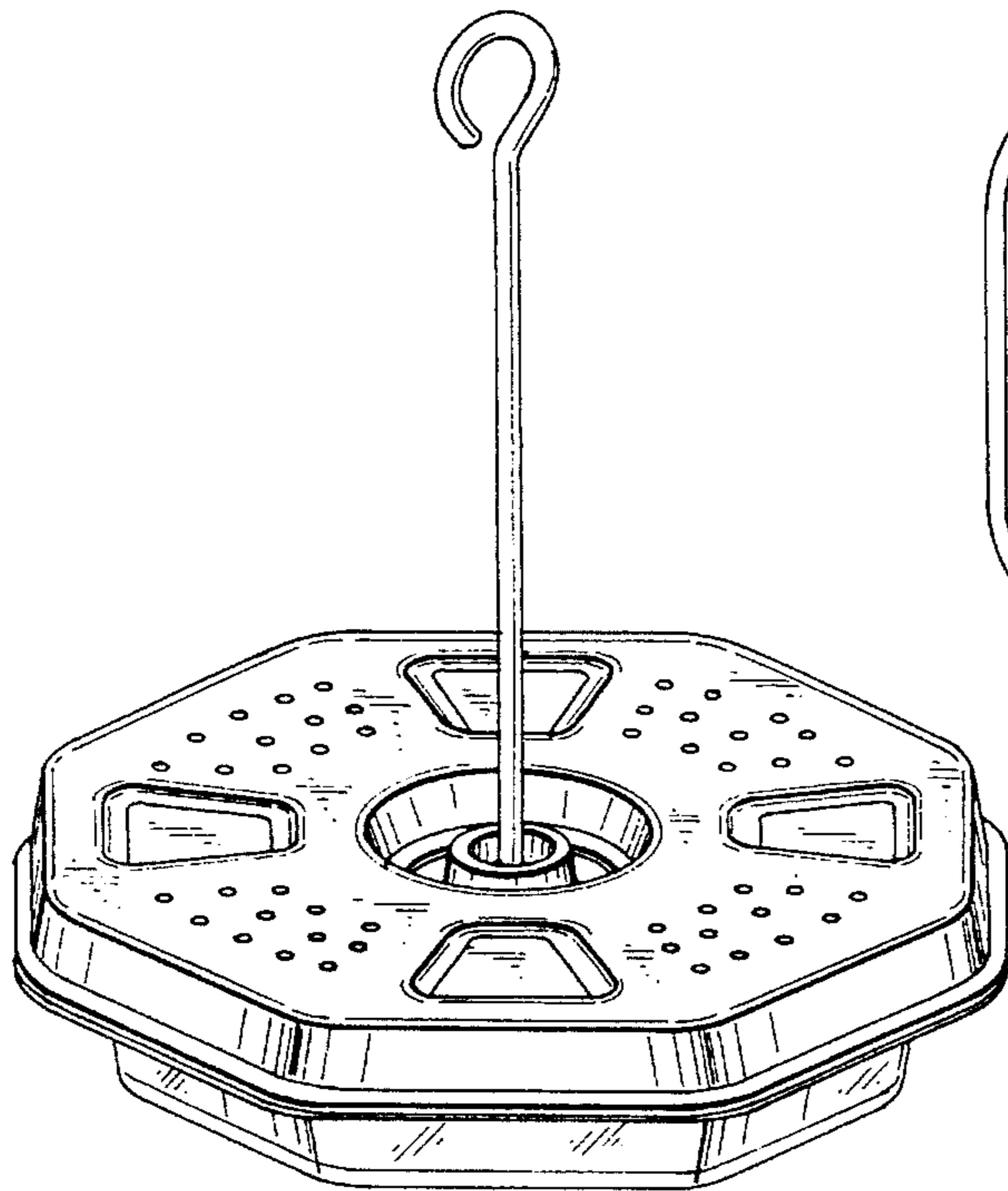


FIG. 5

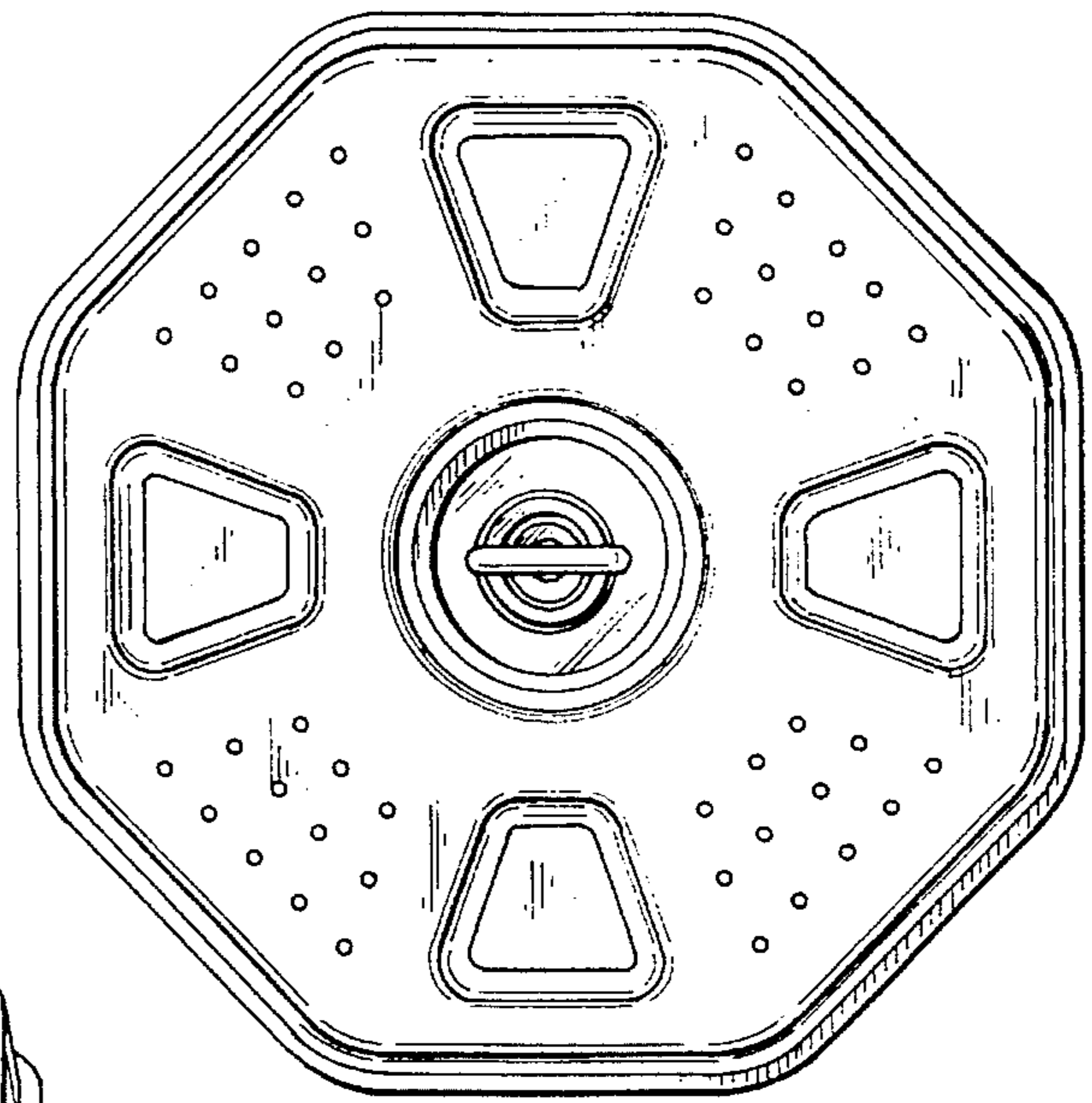


FIG. 6

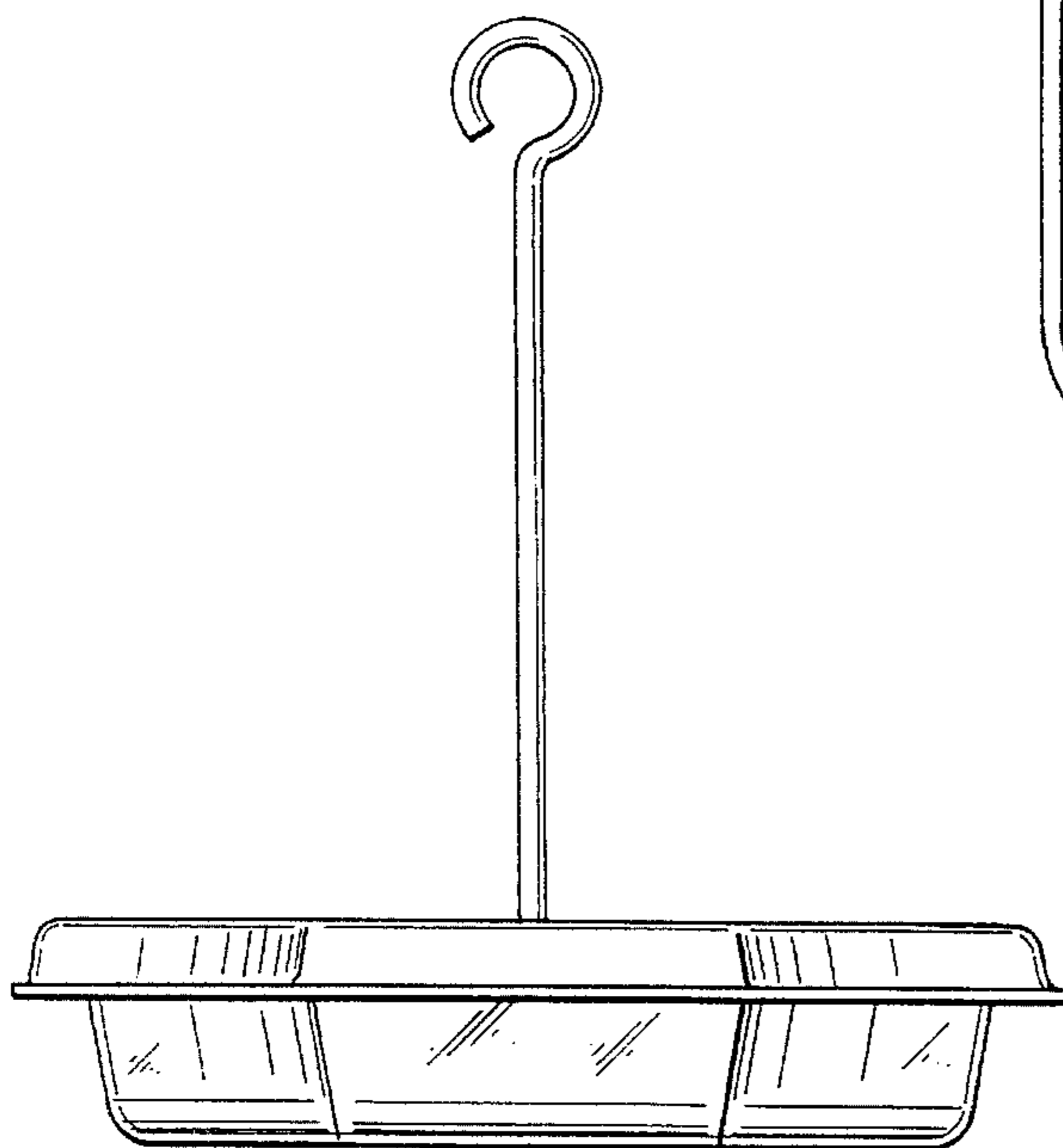


FIG. 7

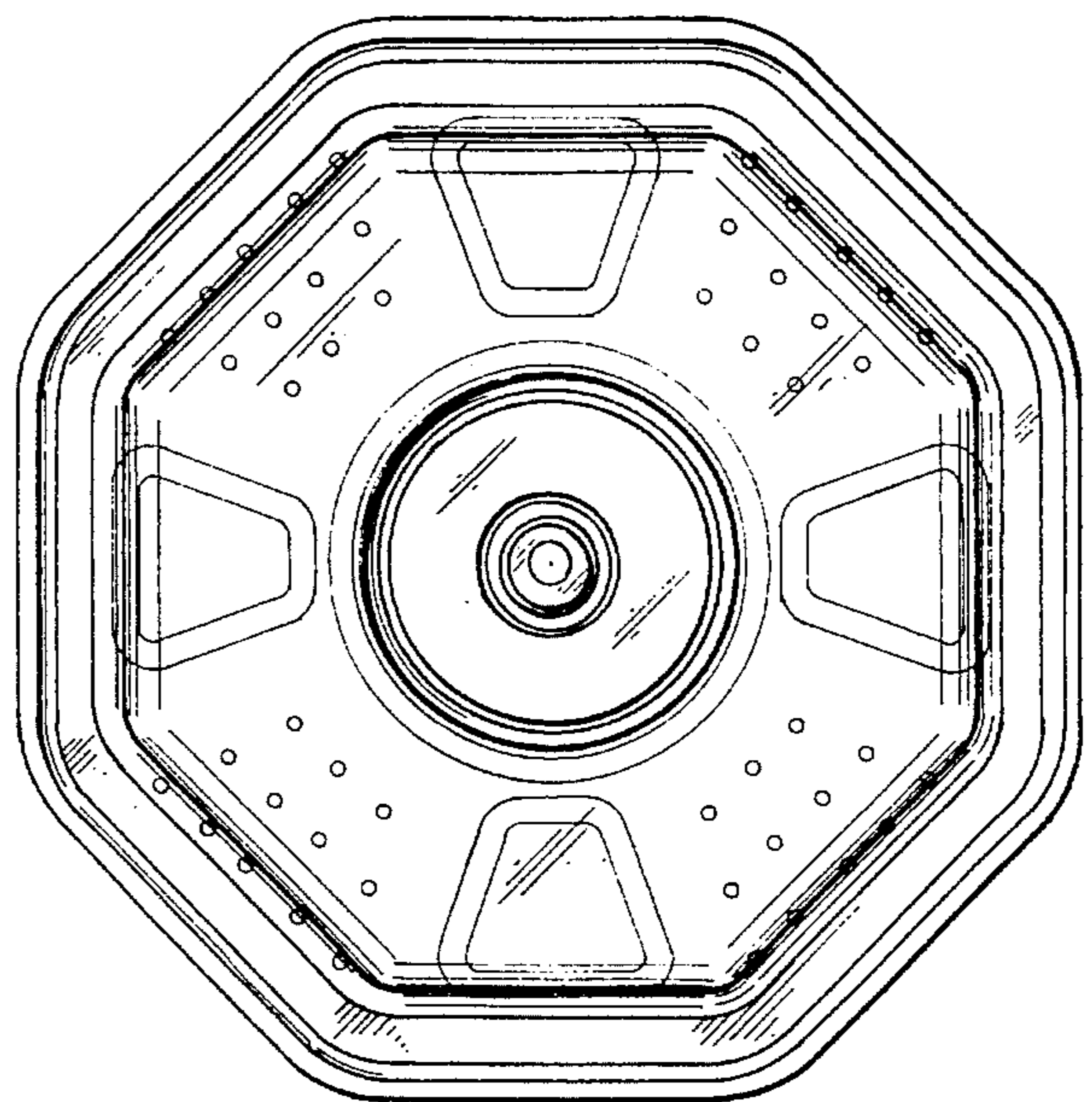


FIG. 8