



US00D368334S

United States Patent [19]
Prehart

[11] **Patent Number: Des. 368,334**
[45] **Date of Patent: **Mar. 26, 1996**

[54] **FLYING WING BIRD HOUSE**

[76] Inventor: **Kenneth Prehart**, P.O. Box 834,
Tannersville, Pa. 18372

[**] Term: **14 Years**

[21] Appl. No.: **36,963**

[22] Filed: **Mar. 31, 1995**

[52] **U.S. Cl.** **D30/111**

[58] **Field of Search** 119/23, 52.2-52.3,
119/57.8-57.9; D30/110-111, 124-128;
D9/307, 335; D99/37; D6/303, 450; D25/7,
8; D21/169

[56] **References Cited**

U.S. PATENT DOCUMENTS

D. 136,929	12/1943	Hill	D99/39
D. 152,472	1/1949	Wawkinson	D30/11
D. 320,876	10/1991	Emmons	D30/125
2,887,987	5/1959	Fitzgerald et al.	119/23
3,282,251	11/1966	Dahmus	119/23
3,496,912	2/1970	Cockrell	119/23

FOREIGN PATENT DOCUMENTS

3439188	1/1986	Germany	119/23
---------	--------	---------	-------	--------

OTHER PUBLICATIONS

Paragon Catalog; p. 2; The Bird Birdhouse #7005-A.
Charles Keath, Ltd. Catalog; Norcross, Ga.; p. 51; #3521 A
Country Estate Multi Unit Birdhouse.
Sturbridge Yankee Workshop Catalog; #65151 Tin Roof
Bird House.
Popular Mechanics; May 1944; p. 97; Bird House for
Martins.

Primary Examiner—Cathy Anne MacCormac
Attorney, Agent, or Firm—James F. Cottone

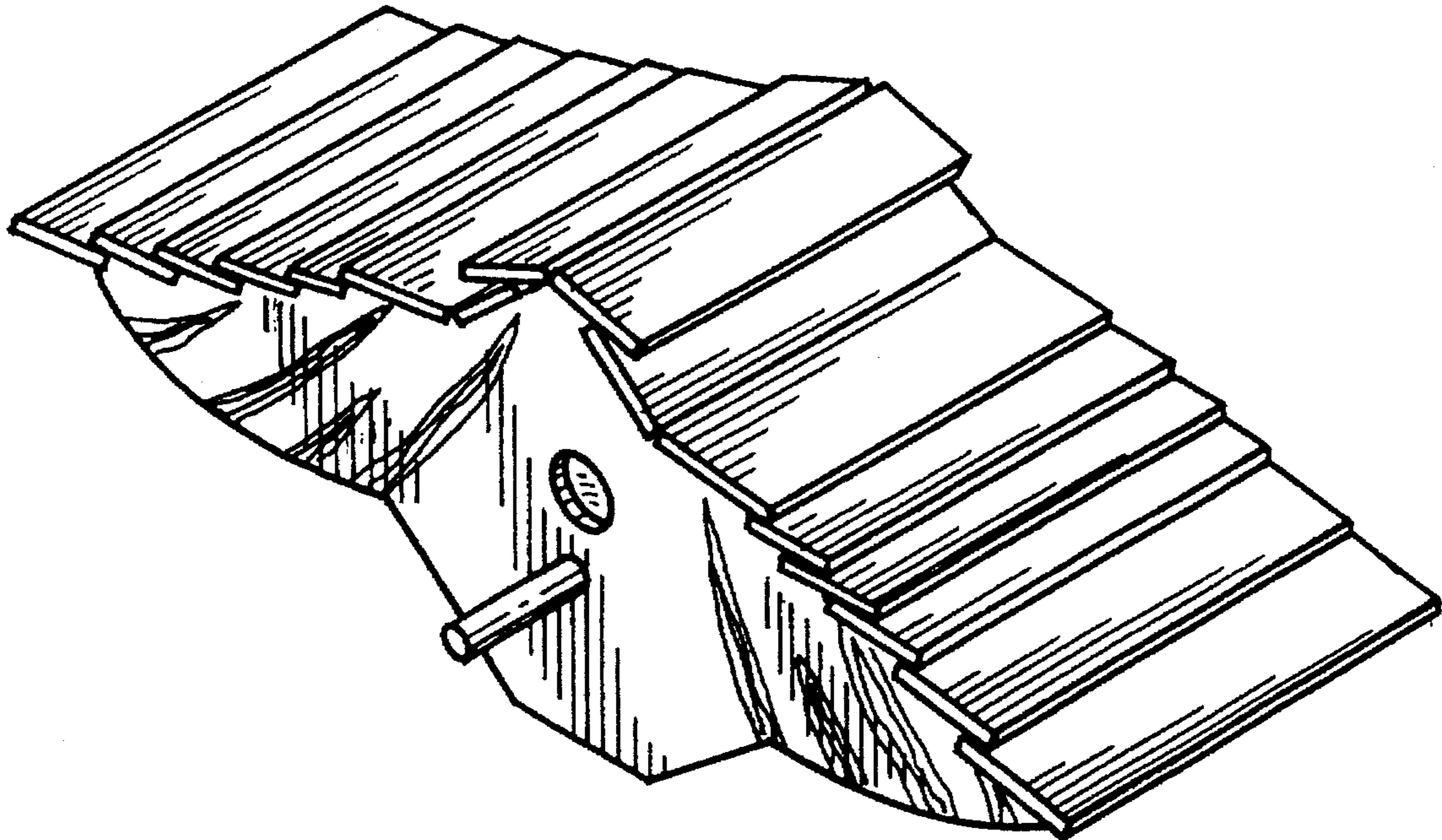
[57] **CLAIM**

The ornamental design for a flying wing bird house, as
shown and described.

DESCRIPTION

FIG. 1 is a perspective view taken from the top, front and
right side of a flying wing bird house showing my new
design;
FIG. 2 is a perspective view taken from the bottom, rear and
left side thereof;
FIG. 3 is a front elevational view thereof; and,
FIG. 4 is a bottom plan view thereof.

1 Claim, 1 Drawing Sheet



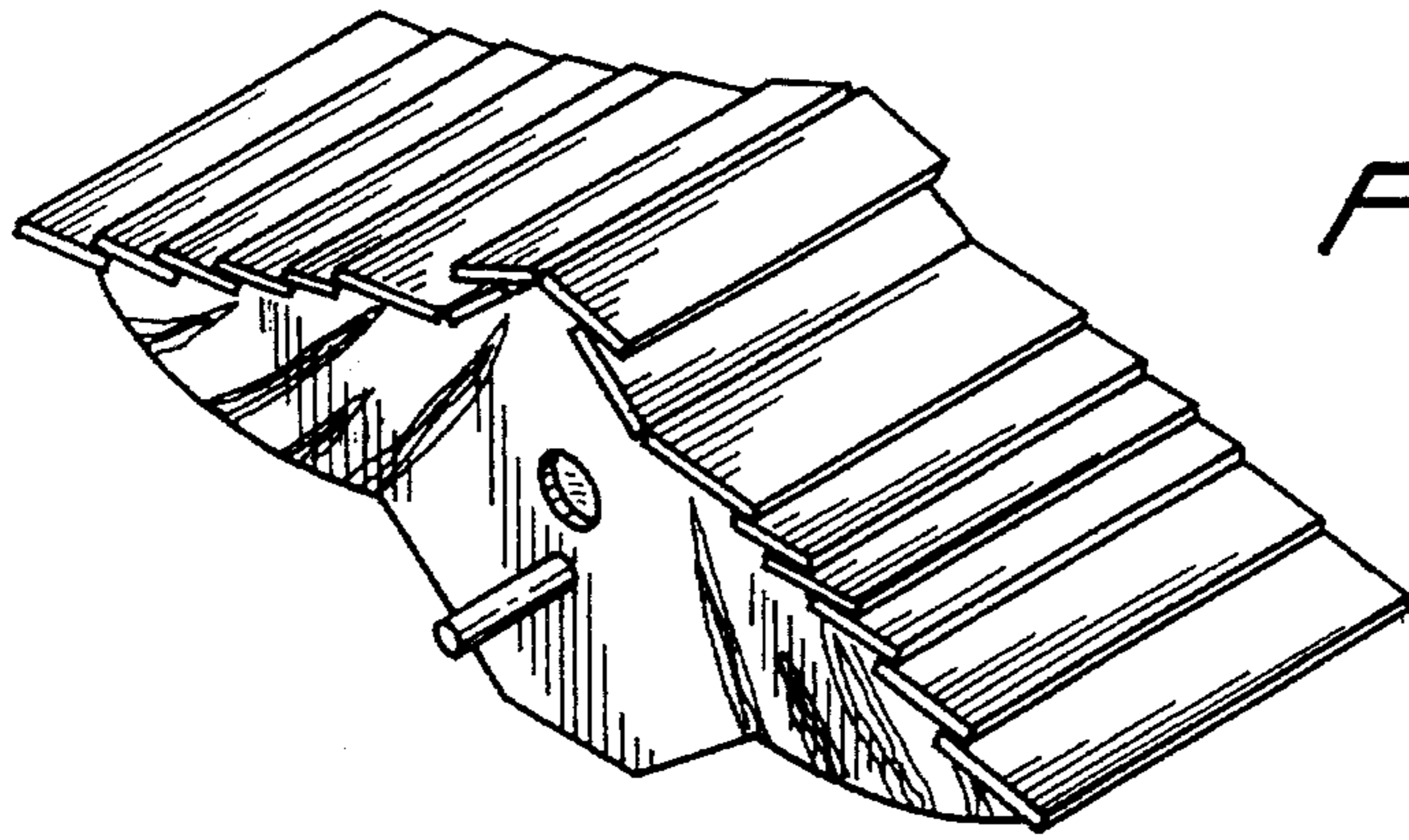


FIG. 1

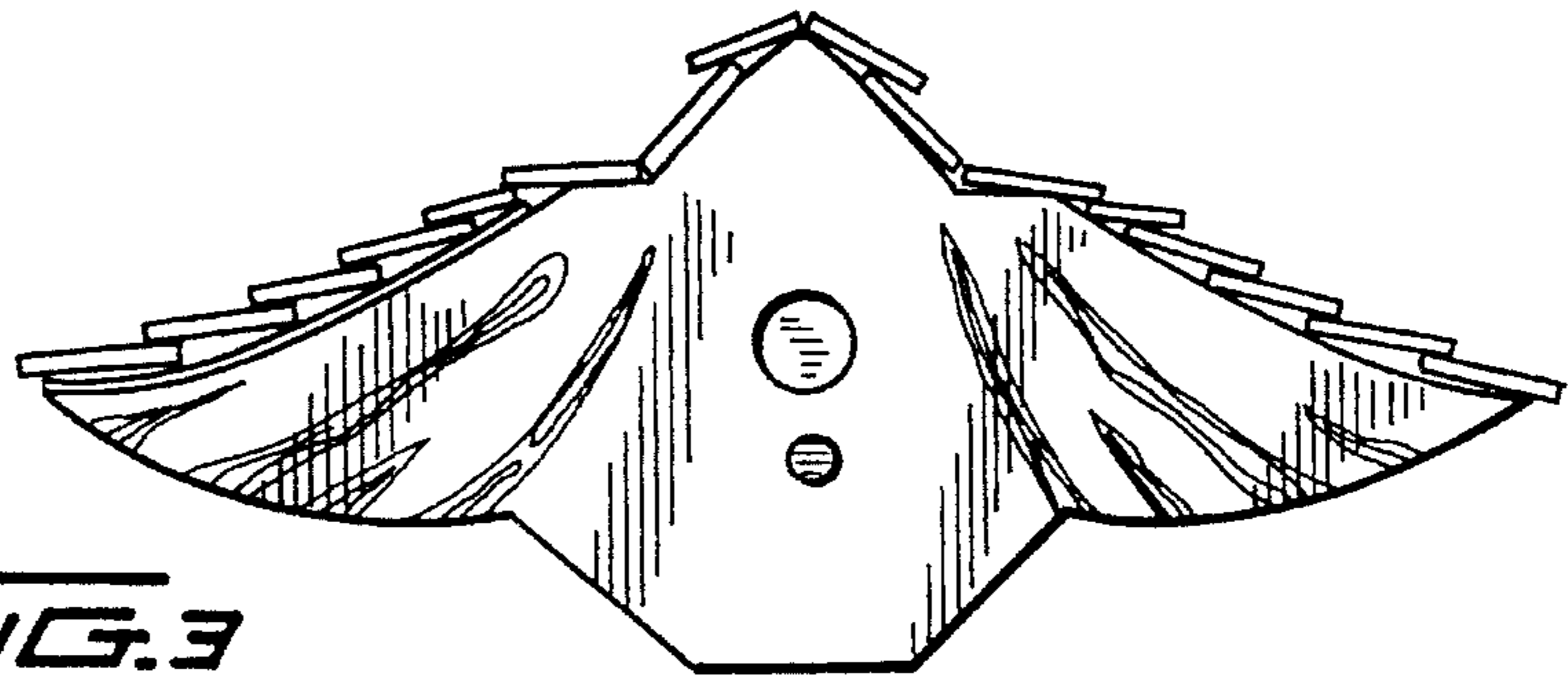


FIG. 3

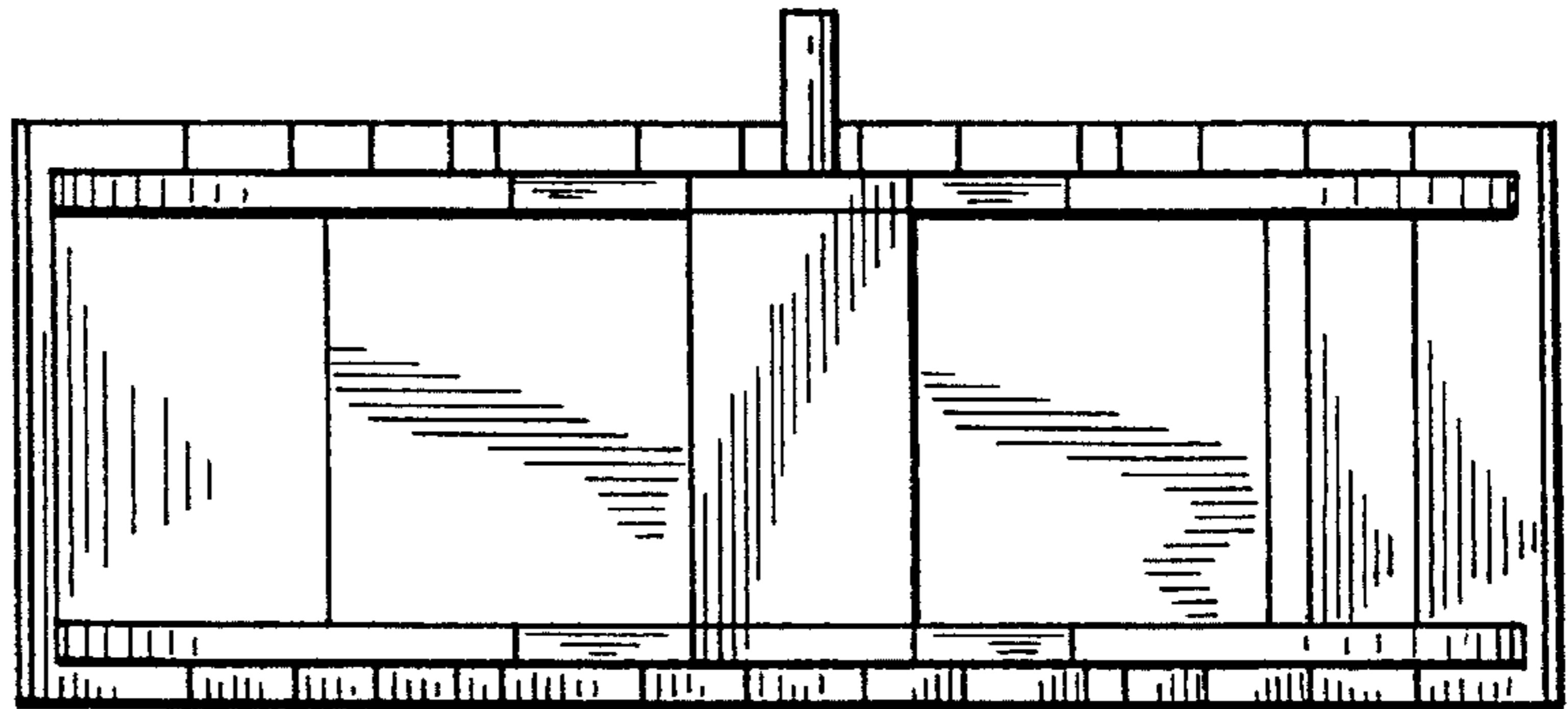


FIG. 4

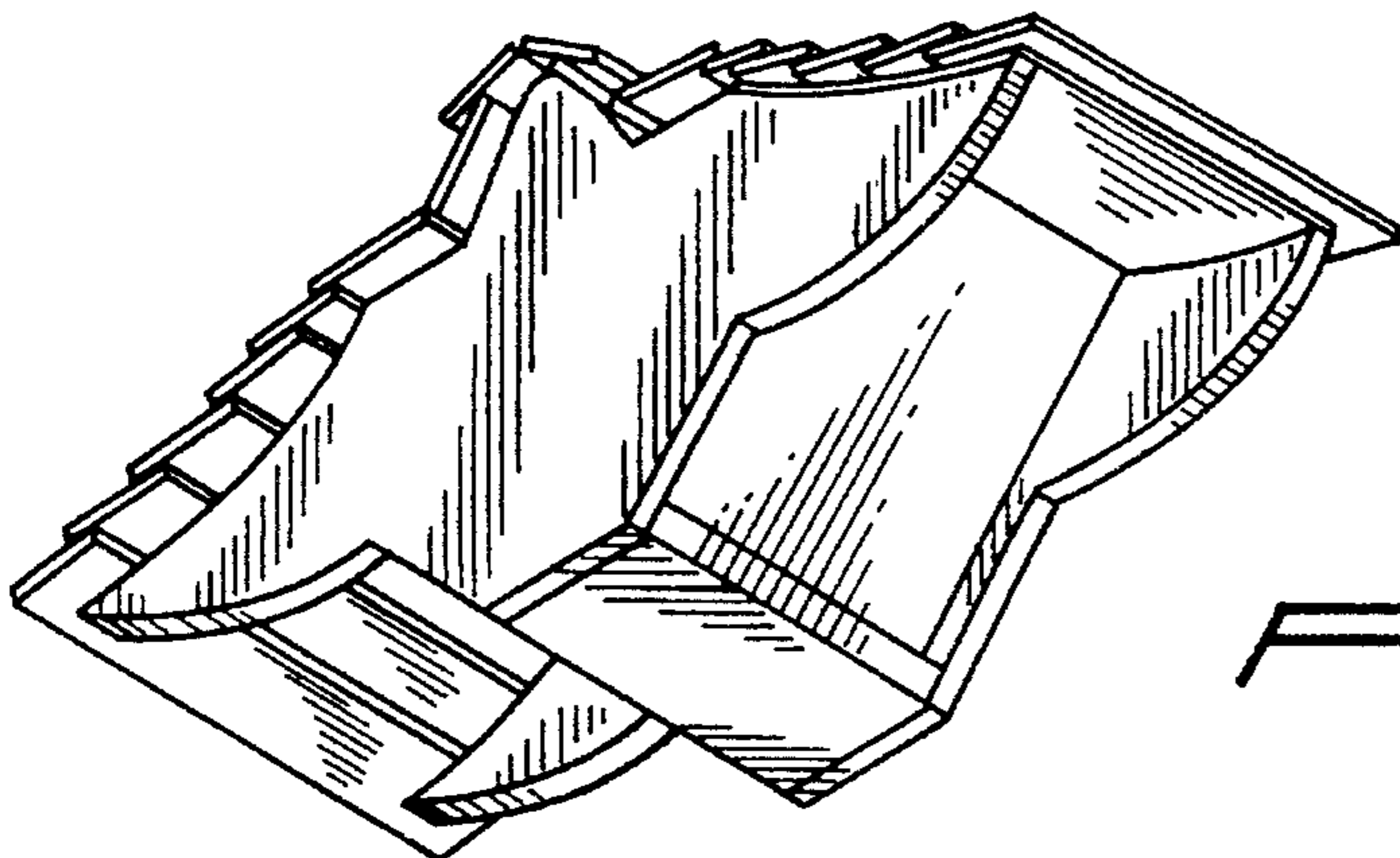


FIG. 2