



US00D368324S

# United States Patent [19]

Heine

[11] Patent Number: **Des. 368,324**

[45] Date of Patent: **\*\*Mar. 26, 1996**

[54] **TOBACCO HOOKAH**

3,881,499 5/1975 McFadden et al. .... D27/162

[75] Inventor: **Randolph S. Heine**, Pinellas Park, Fla.

*Primary Examiner*—A. Hugh Word

*Assistant Examiner*—Marcus Jackson

[73] Assignee: **New Tradition Pipe Company**,  
Pinellas Park, Fla.

*Attorney, Agent, or Firm*—James E. Larson; Herbert W. Larson,

[\*\*] Term: **14 Years**

[57] **CLAIM**

[21] Appl. No.: **37,358**

The ornamental design for a tobacco hookah, as shown and described.

[22] Filed: **Apr. 11, 1995**

### DESCRIPTION

[52] U.S. Cl. .... **D27/162**

[58] **Field of Search** ..... D27/162, 163,  
D27/166, 168, 171, 172, 175, 180, 183;  
131/173, 194, 270, 329, 336, 360, 361

FIG. 1 is a perspective view of a tobacco hookah showing my new design;

FIG. 2 is a front elevational view thereof;

FIG. 3 is a right side elevational view thereof;

FIG. 4 is a left side elevational view thereof;

FIG. 5 is a rear elevational view thereof;

FIG. 6 is a top plan view thereof; and,

FIG. 7 is a bottom plan view thereof.

[56] **References Cited**

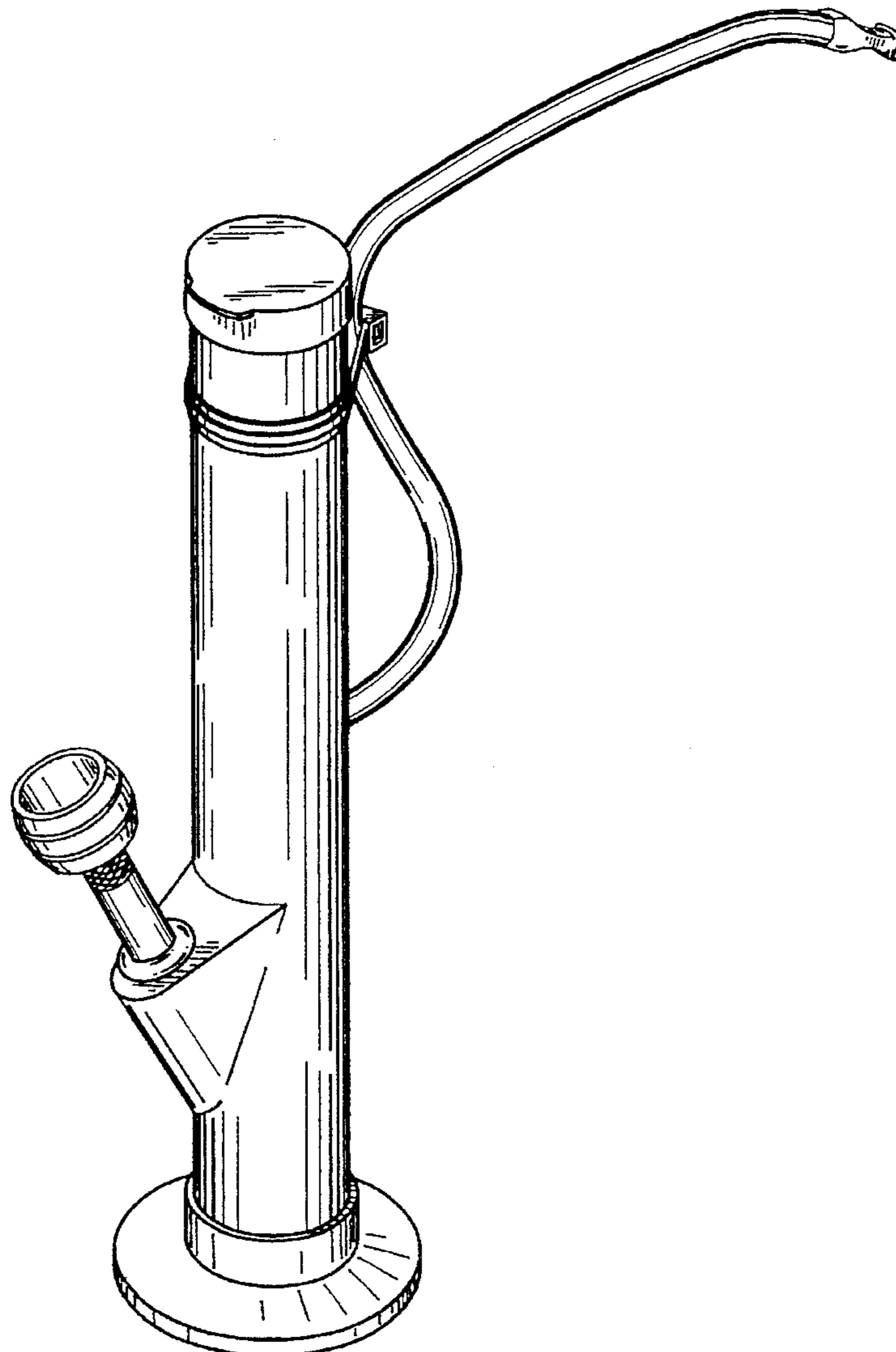
#### U.S. PATENT DOCUMENTS

D. 342,805 12/1993 Heine et al. .... D27/162

D. 350,411 9/1994 Heine .... D27/162

D. 358,229 5/1995 Heine .... D27/162

**1 Claim, 3 Drawing Sheets**



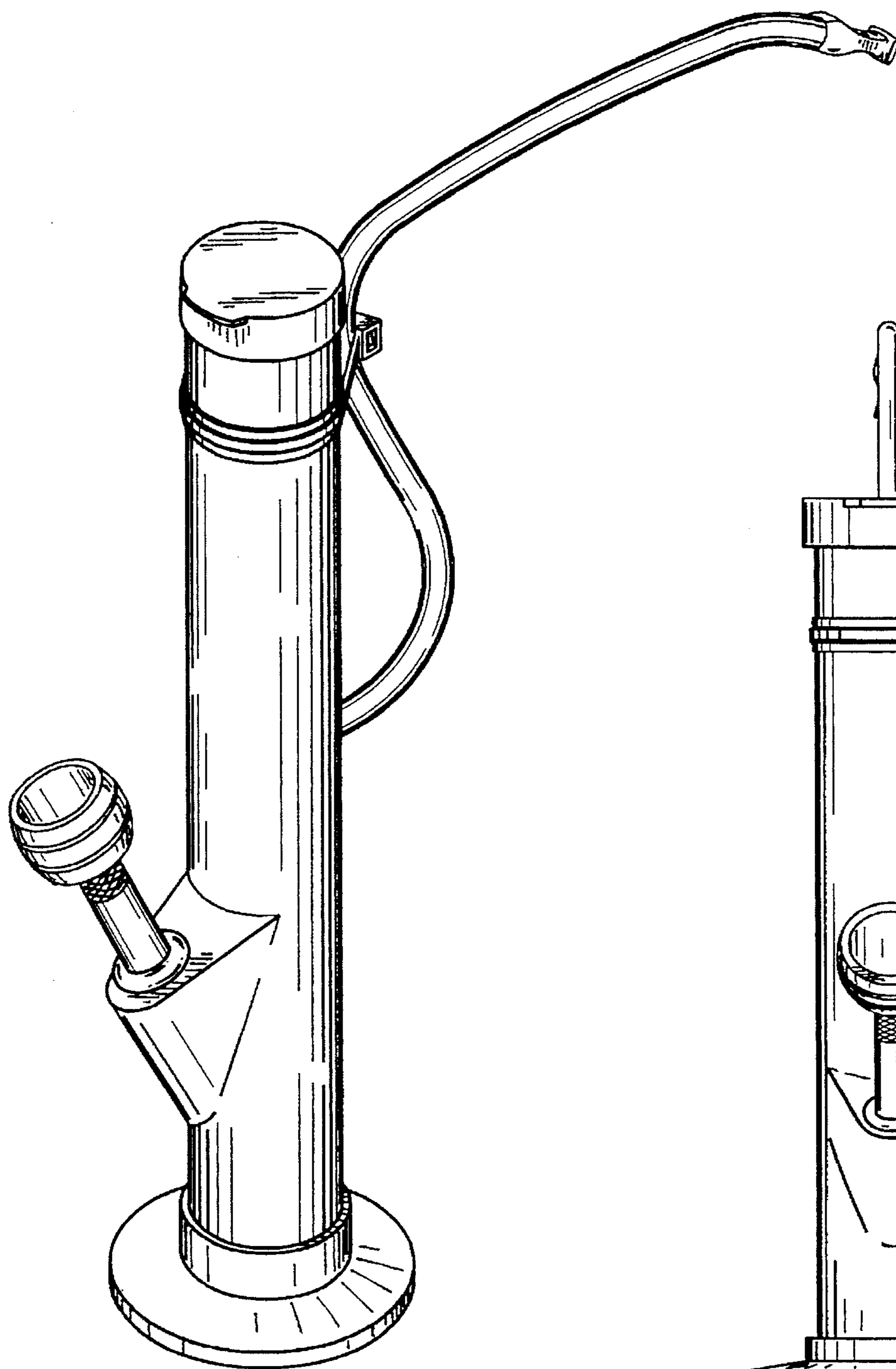


Fig. 1

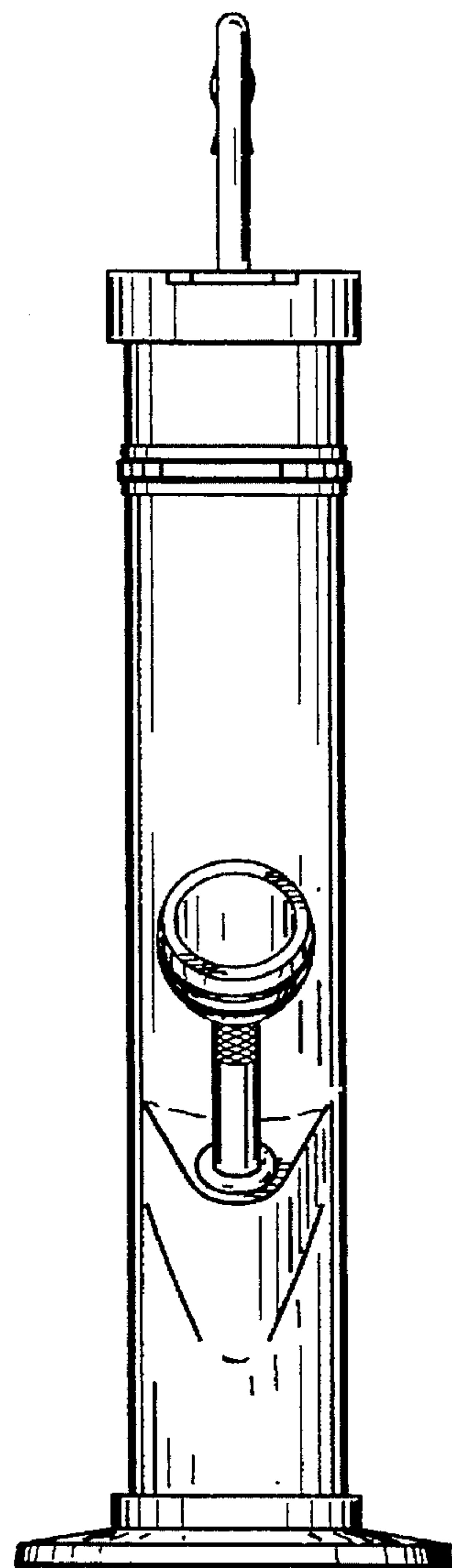
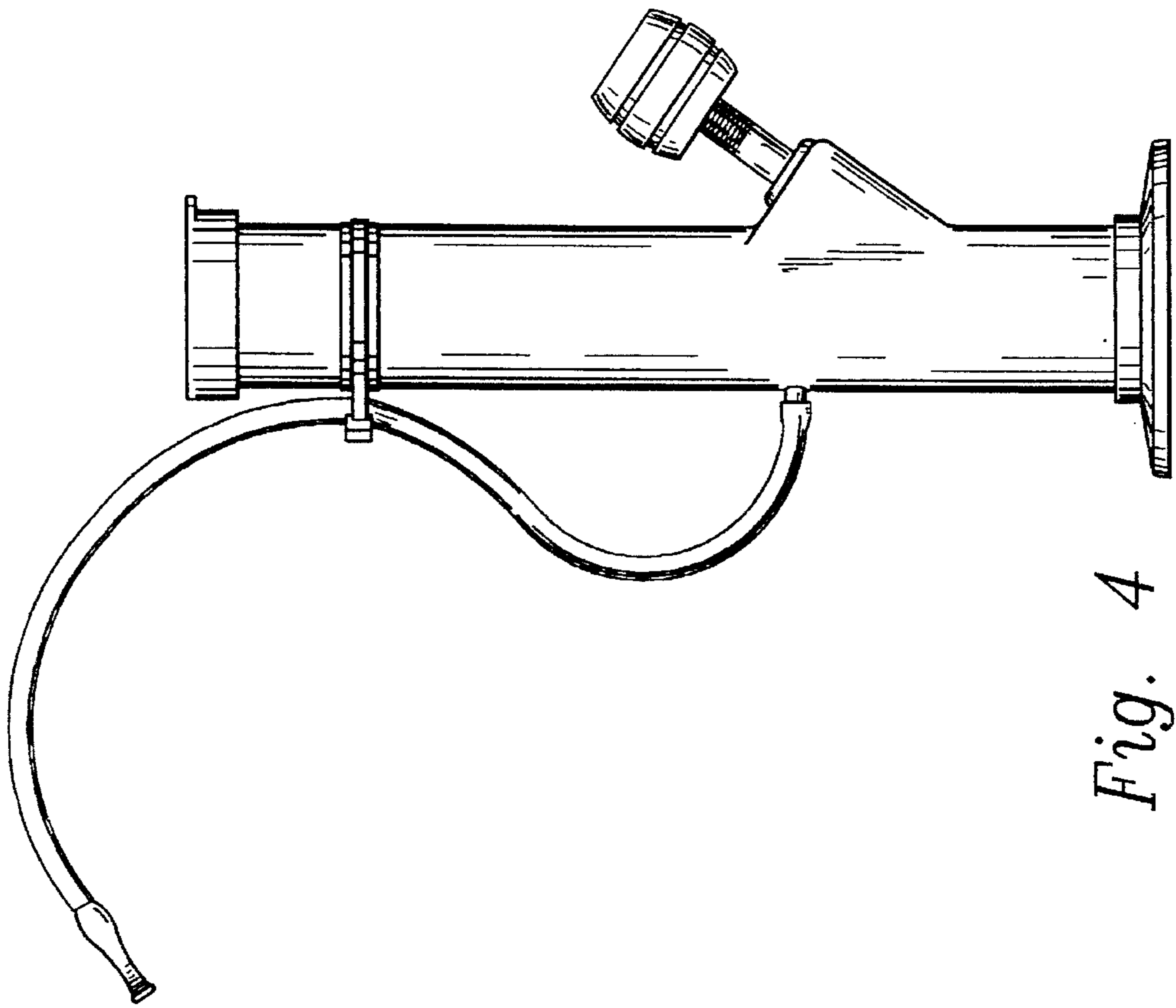
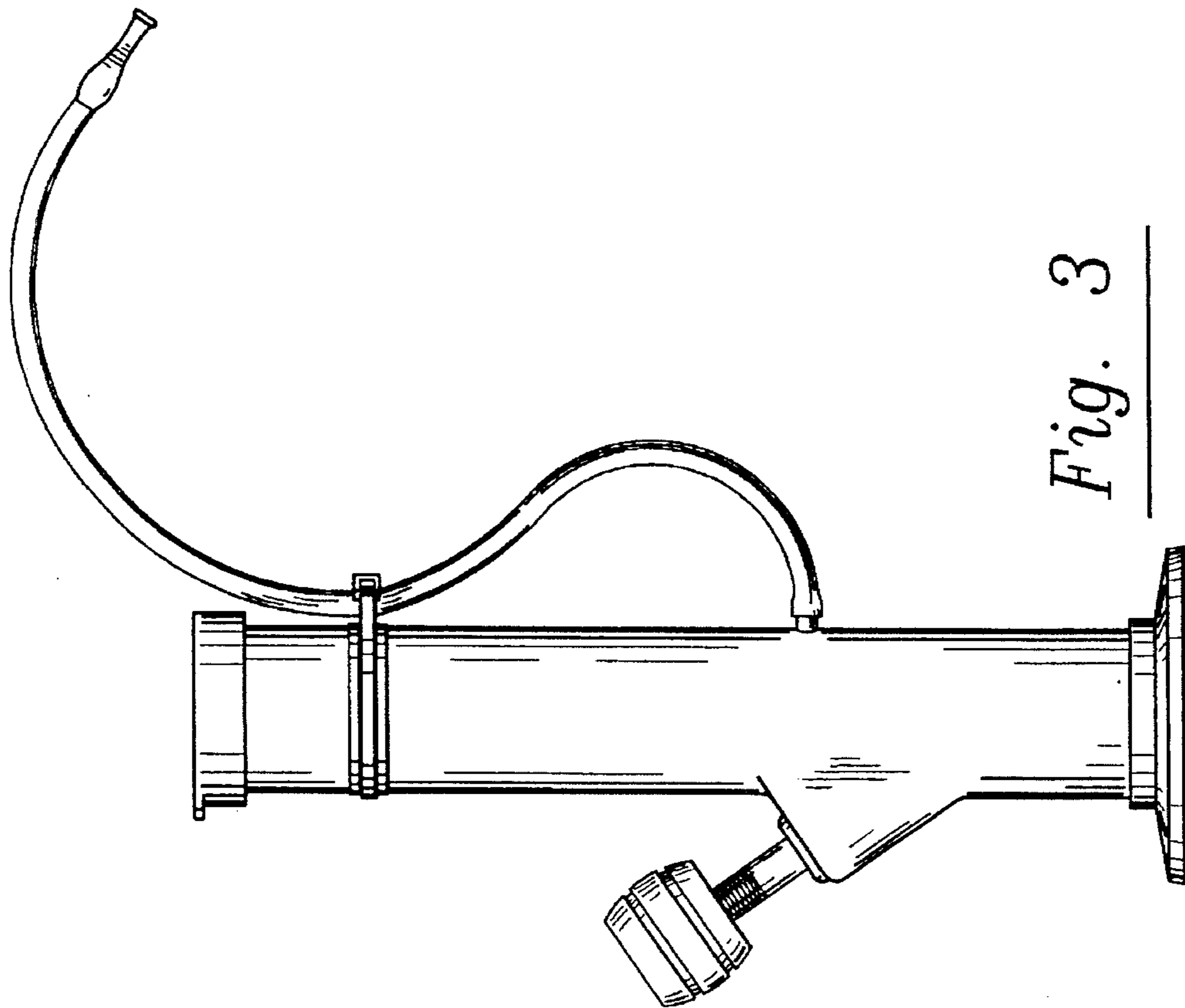


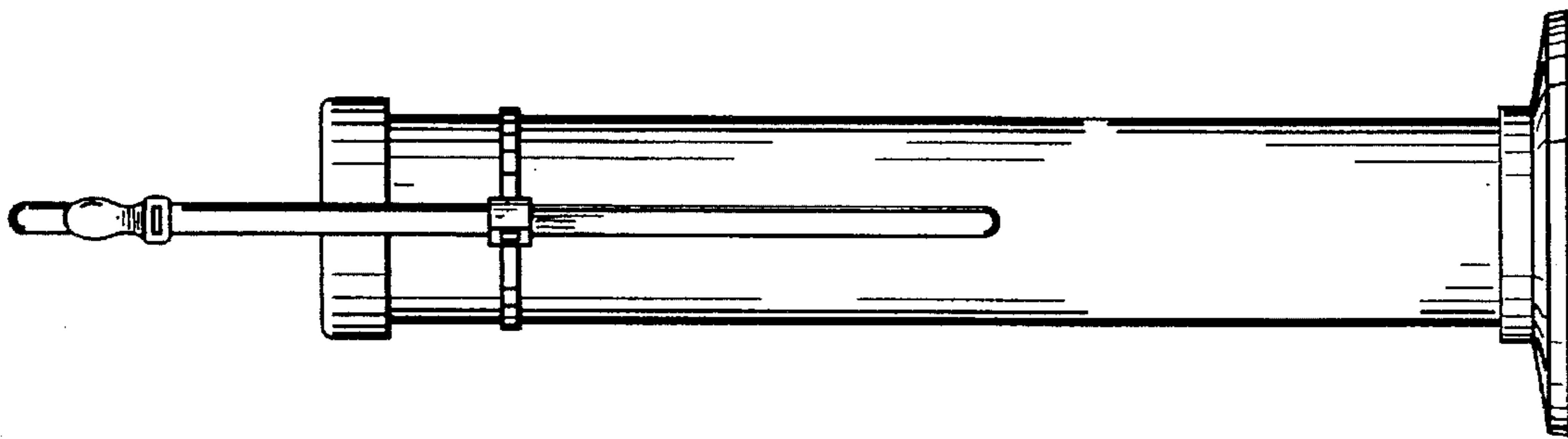
Fig. 2



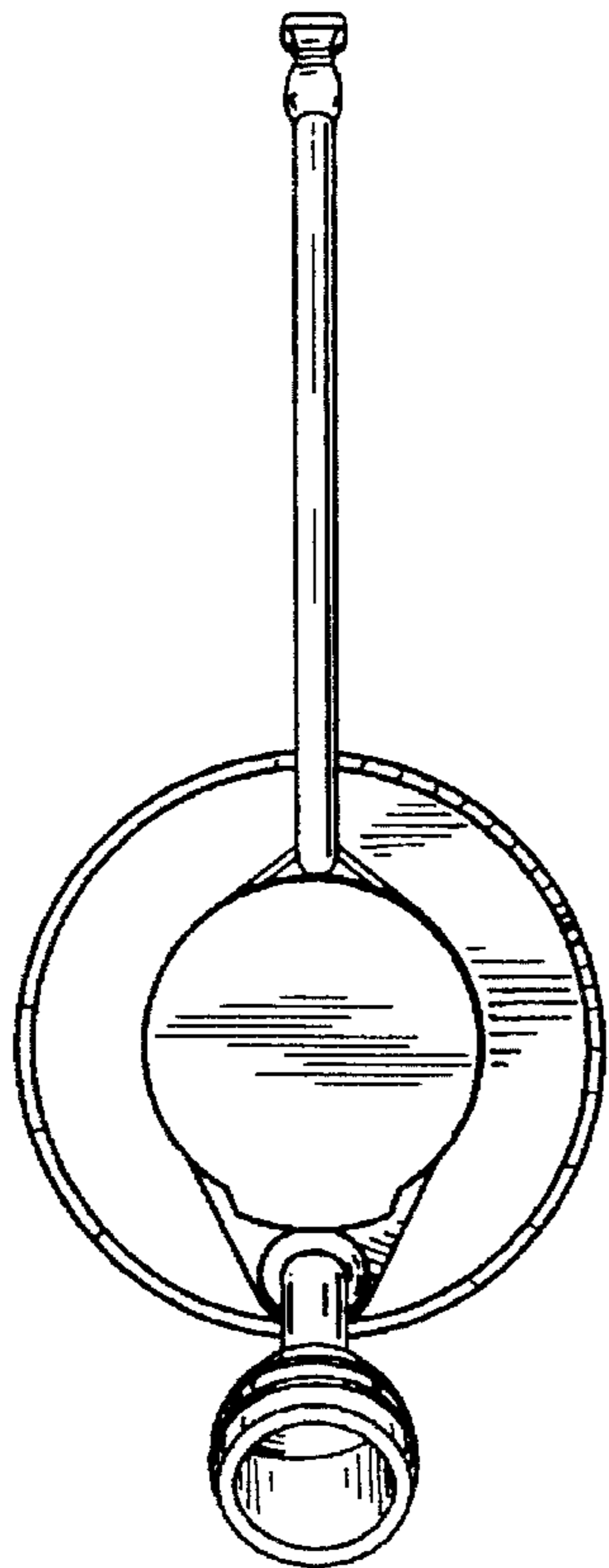
*Fig. 4*



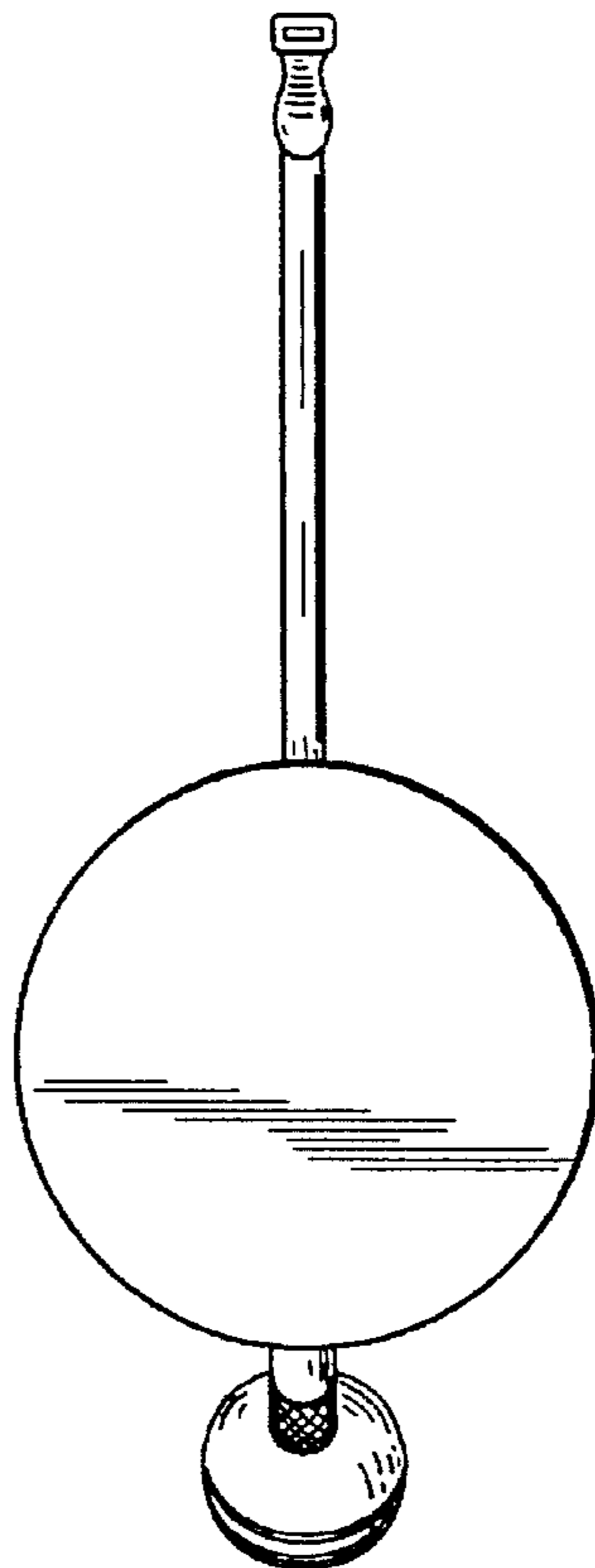
*Fig. 3*



*Fig. 5*



*Fig. 6*



*Fig. 7*