



US00D368321S

United States Patent [19]

[11] **Patent Number: Des. 368,321**

Dolan

[45] **Date of Patent: **Mar. 26, 1996**

[54] **LAMP GLASS SHADE**

D. 357,996 5/1995 Dolan D26/86

[76] Inventor: **Patrick S. Dolan**, 1901 NW. Upshur St., Portland, Oreg. 97209

OTHER PUBLICATIONS

[**] Term: **14 Years**

Model #K-6575 Glass, Catalog 790 p. 10 Kichler Lighting 1541 E. 38th St., Cleveland, OH 44144.
Model #SL-7314 Glass, Catalog 1988, p. 53 Thomas Industries 7400 La Grange Rd. Louisville, KY 40222.

[21] Appl. No.: **32,528**

Primary Examiner—Susan J. Lucas

[22] Filed: **Dec. 20, 1994**

[52] U.S. Cl. **D26/133**

[57] **CLAIM**

[58] **Field of Search** D26/128-137,
D26/138, 142, 146-153, 72, 80-92; 362/341,
343, 346, 347, 348, 349, 350, 351, 352,
353, 355

The ornamental design for a lamp glass shade, as shown.

DESCRIPTION

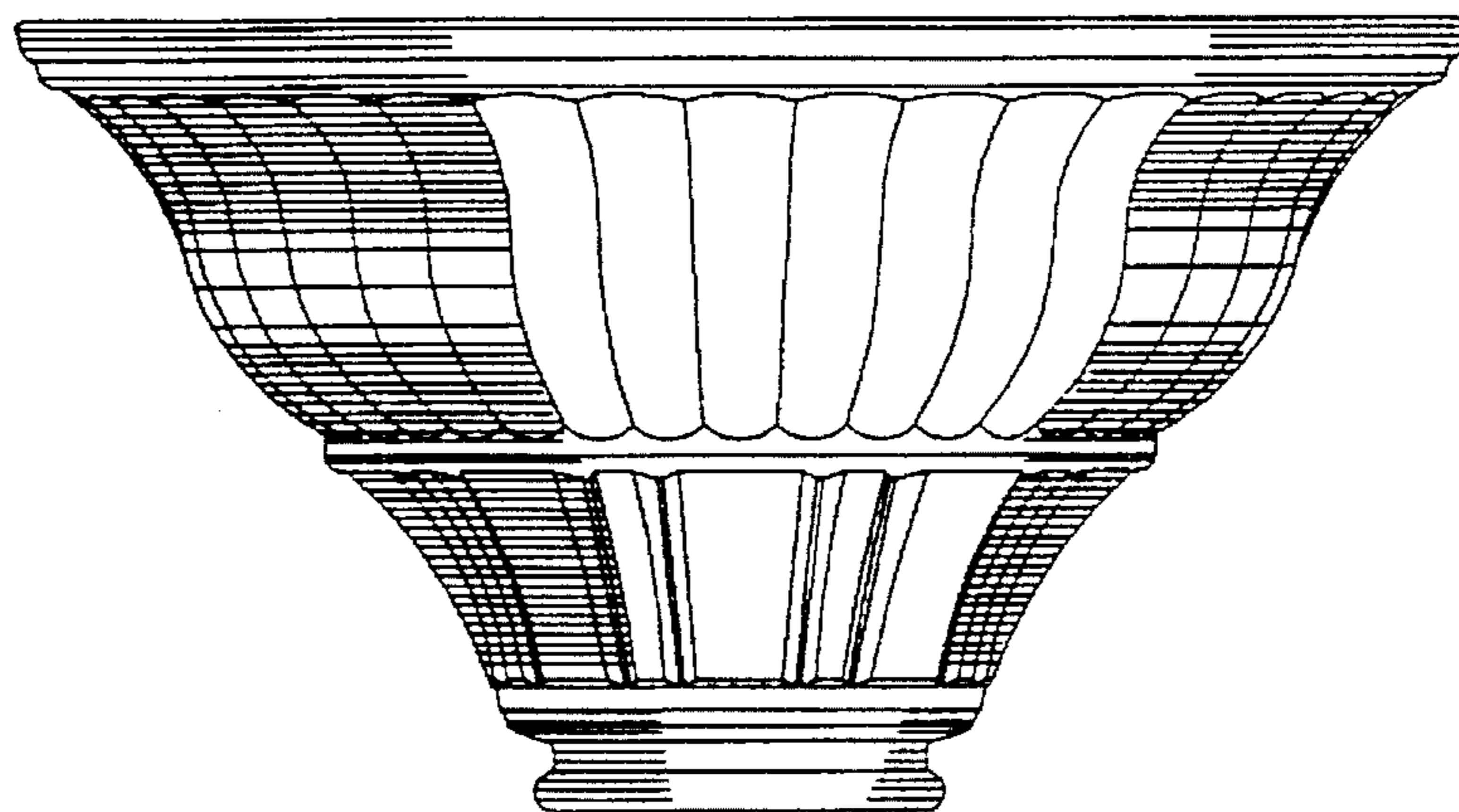
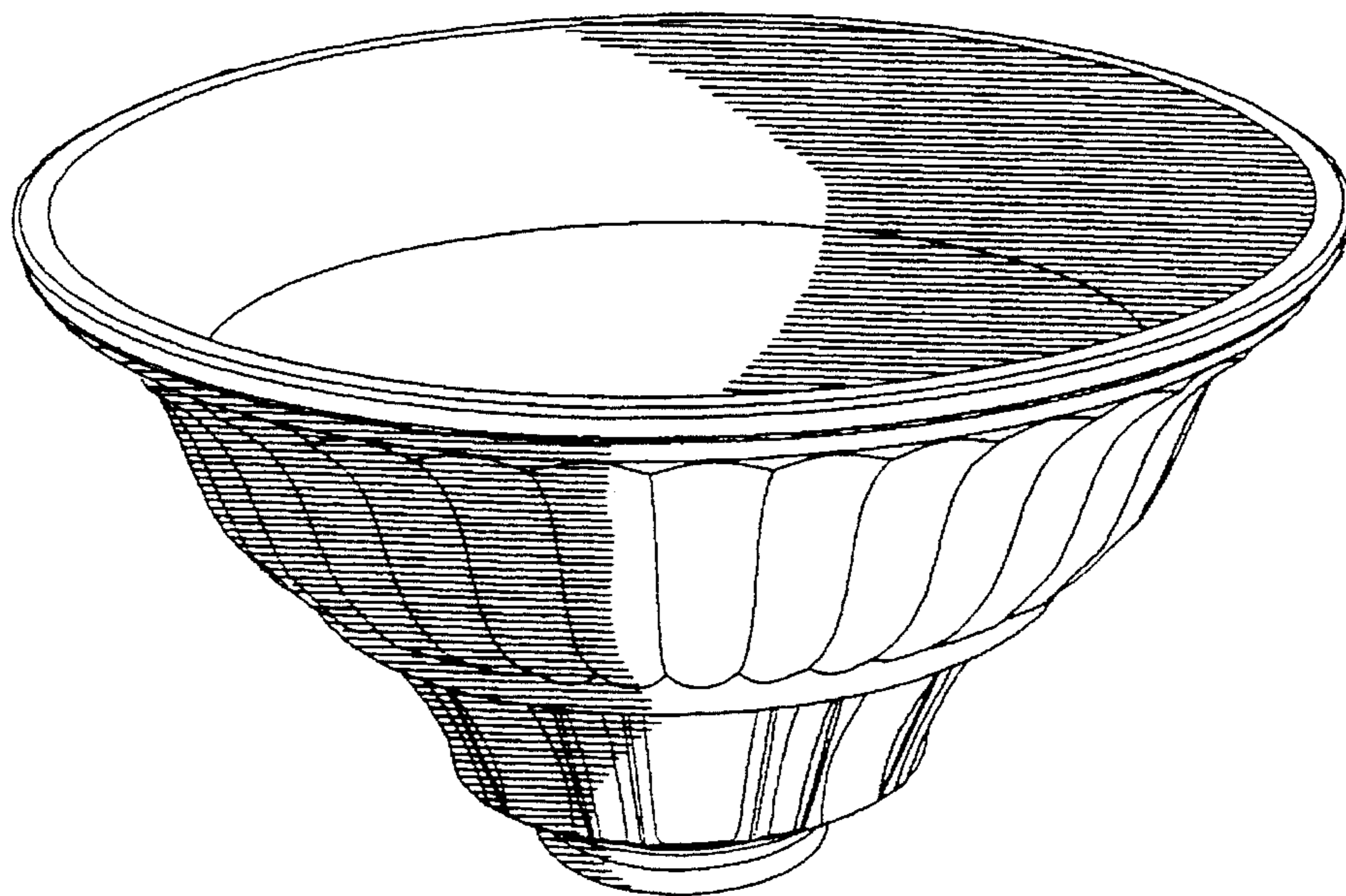
[56] **References Cited**

FIG. 1 is a side perspective view thereof;
FIG. 2 is a side view in elevation thereof;
FIG. 3 is a top plan view thereof; and,
FIG. 4 is a bottom plan view thereof.

U.S. PATENT DOCUMENTS

- D. 37,418 4/1905 Forger D26/134
- D. 49,075 5/1916 Pearlman D26/134
- D. 351,252 10/1994 Dolan D26/149

1 Claim, 4 Drawing Sheets



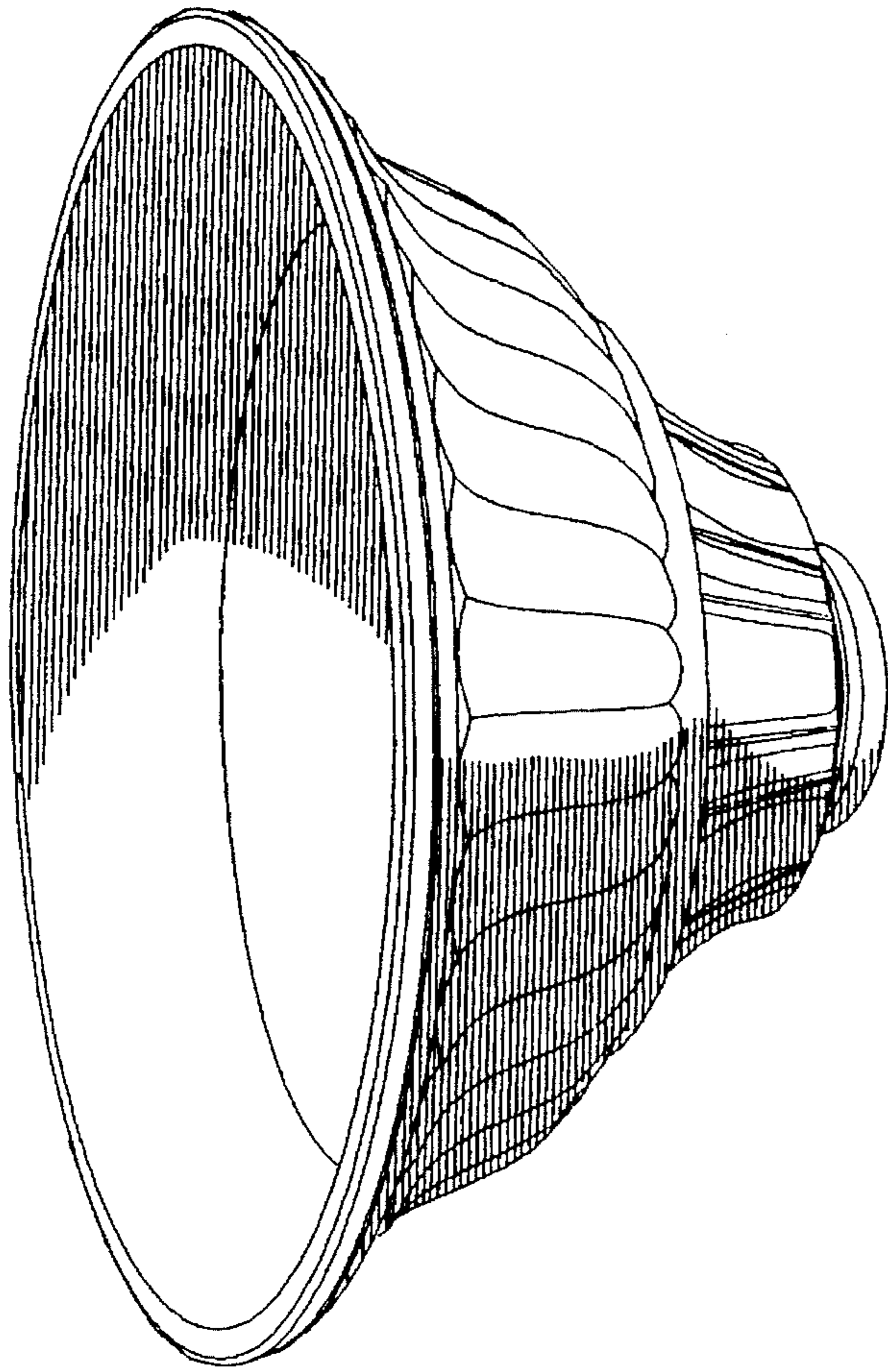


fig. 1

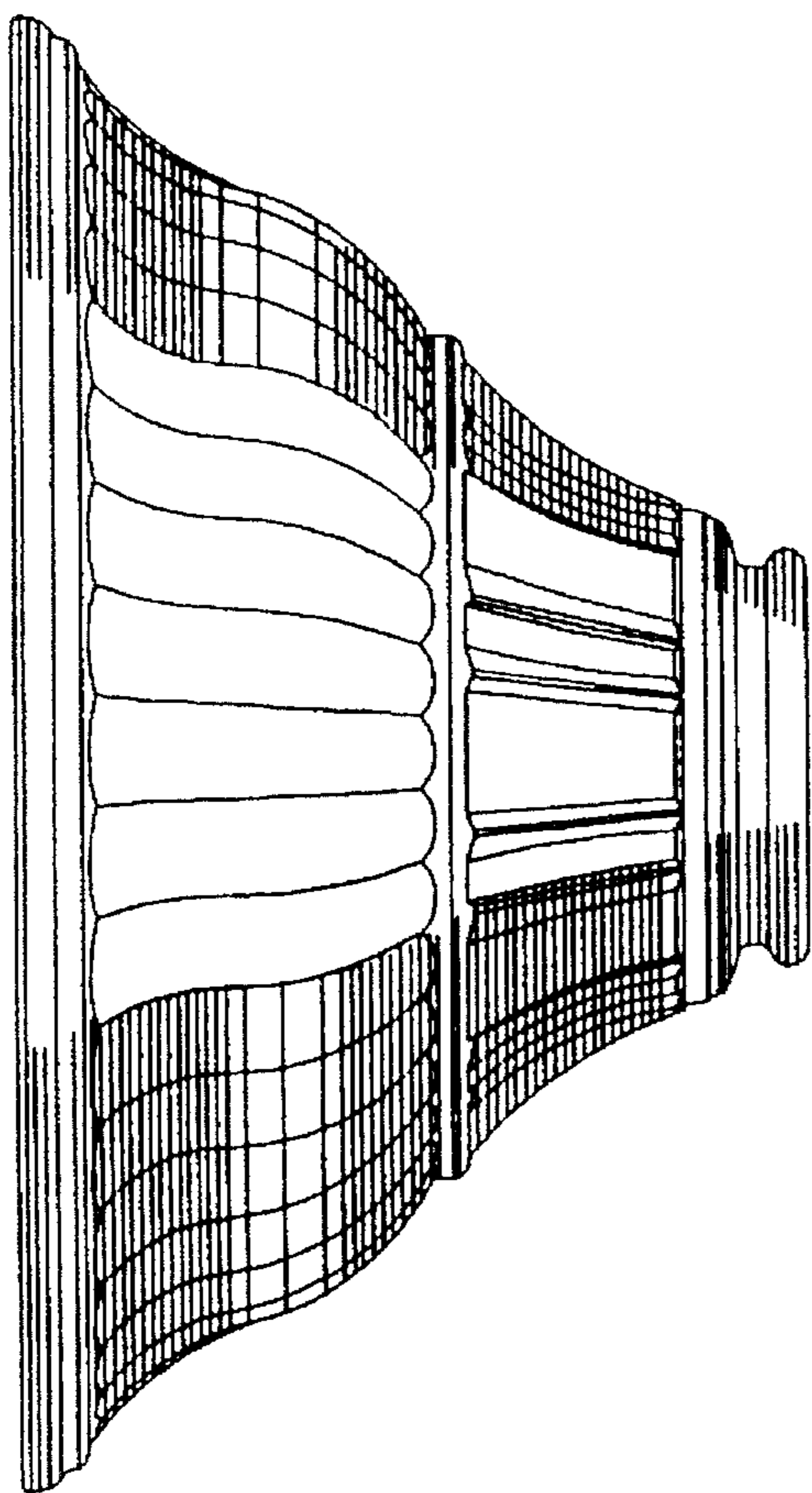


fig. 2

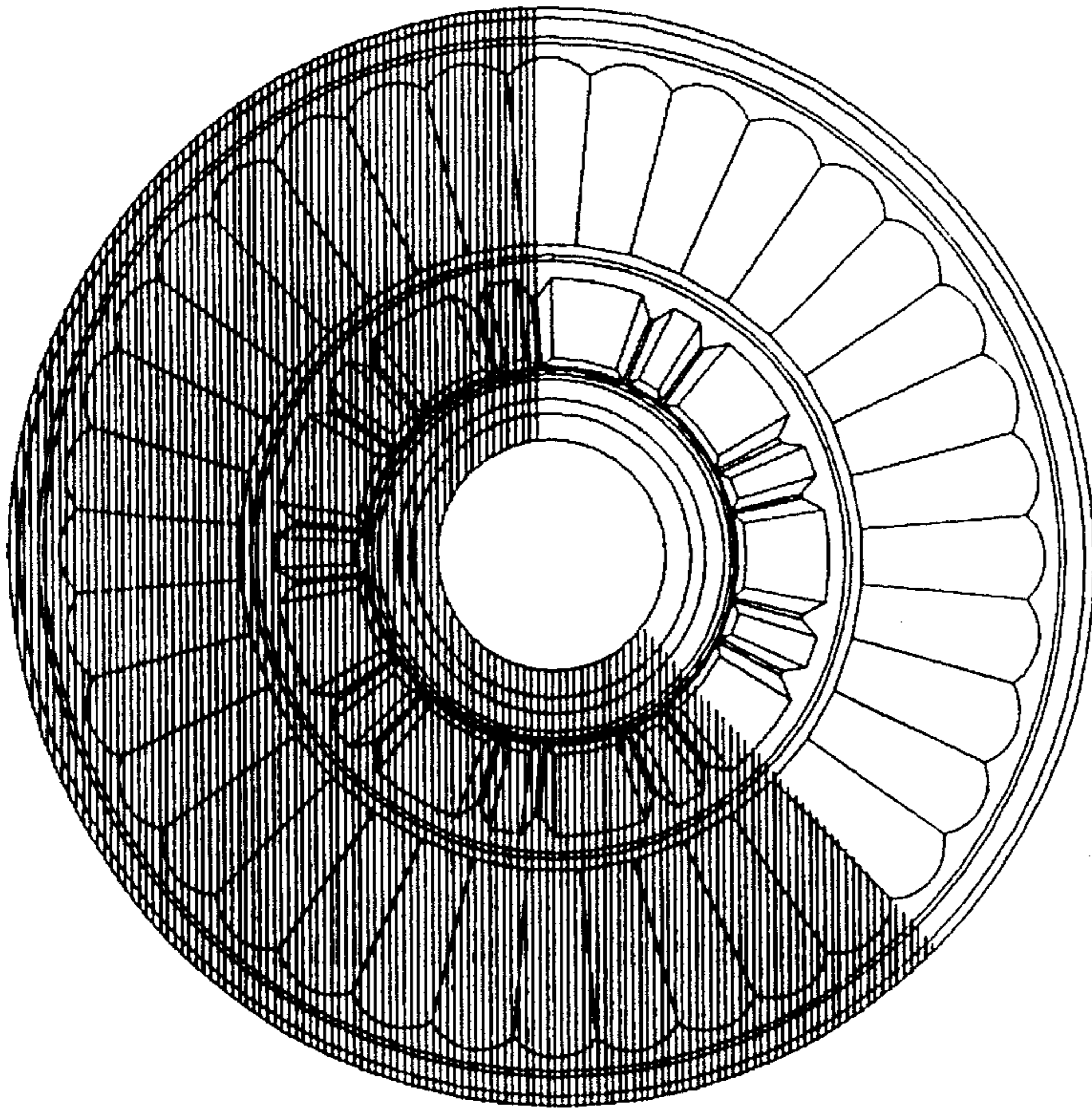


fig. 3

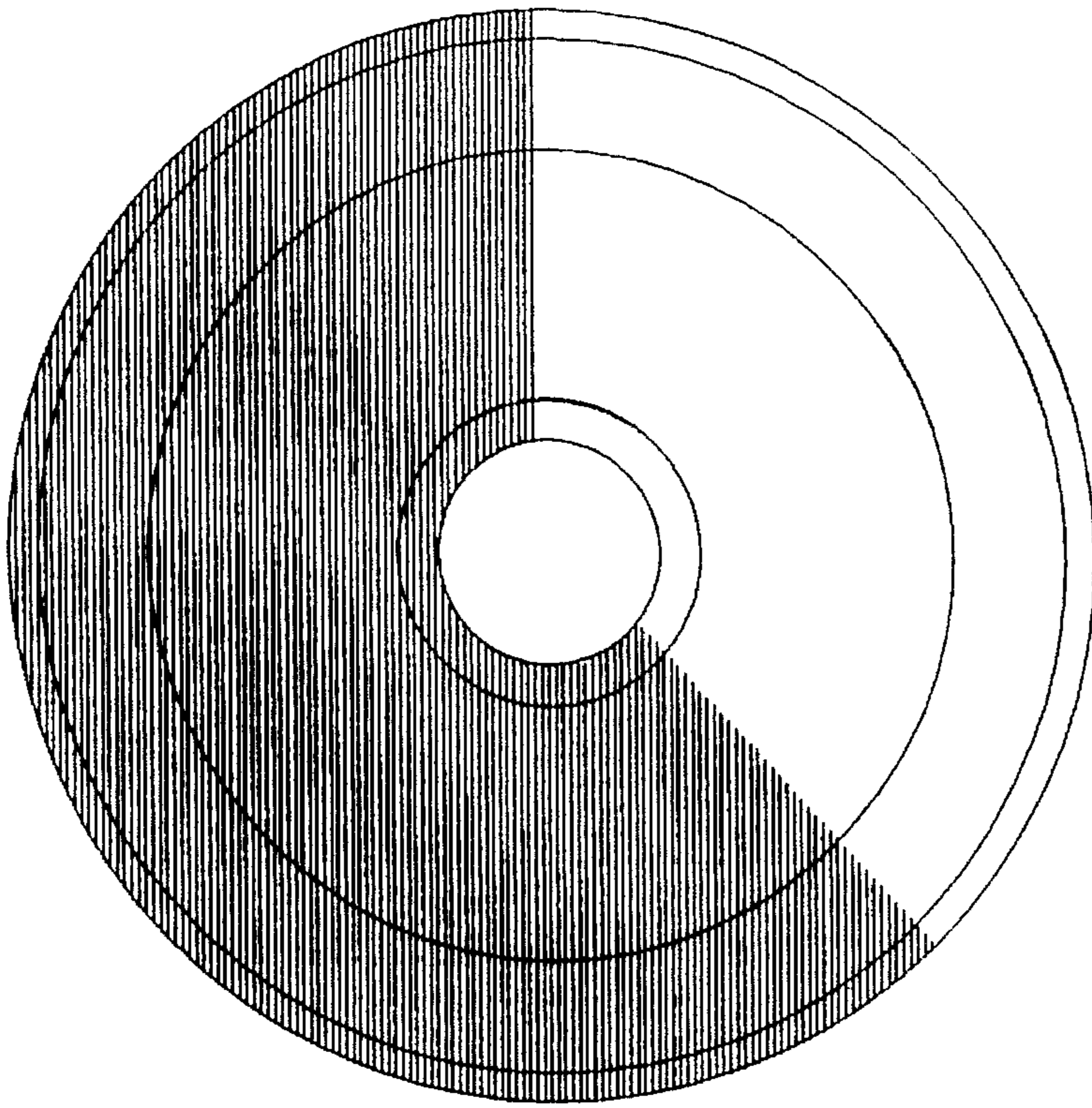


fig. 4