



US00D368318S

United States Patent [19]

[11] Patent Number: **Des. 368,318**

Furth et al.

[45] Date of Patent: ****Mar. 26, 1996**

- [54] **LARGE SIZE RECHARGEABLE FLASHLIGHT**
- [75] Inventors: **David A. Furth**, Skaneateles; **Mark A. Ferguson**, Jamesville; **Peter F. Lynch**; **Scott W. Osiecki**, both of Skaneateles, all of N.Y.
- [73] Assignee: **Eveready Battery Company, Inc.**, St. Louis, Mo.
- [**] Term: **14 Years**
- [21] Appl. No.: **33,918**
- [22] Filed: **Jan. 24, 1995**
- [52] U.S. Cl. **D26/49**
- [58] Field of Search D26/37, 38, 46, D26/49; 362/157, 158, 183, 186, 203, 202

D. 315,609	3/1991	Garrity	D26/49
D. 324,580	3/1992	Young	D26/49
D. 325,100	3/1992	Usami	D26/49
D. 351,477	10/1994	Bamber	D26/49
3,144,993	8/1964	Sassmann	240/41.3
3,976,986	8/1976	Zabroski	340/253
4,647,832	3/1987	Fenne	320/2
4,743,829	5/1988	Fenne	320/2
4,794,315	12/1988	Pederson	320/2
4,914,555	4/1990	Gammache	362/183
5,006,779	4/1991	Fenne	320/2

Primary Examiner—Susan J. Lucas
Attorney, Agent, or Firm—Robert W. Welsh

[57] CLAIM

The ornamental design for the large size rechargeable flashlight, as shown and described.

DESCRIPTION

FIG. 1 is a perspective view of a large size rechargeable flashlight showing my new design; FIG. 2 is a top plan view thereof; FIG. 3 is a side elevational view thereof; FIG. 4 is a bottom plan view thereof; FIG. 5 is a front end elevational view thereof; and, FIG. 6 is a rear end elevational view thereof.

The opposite side elevational view is a mirror image of FIG. 3.

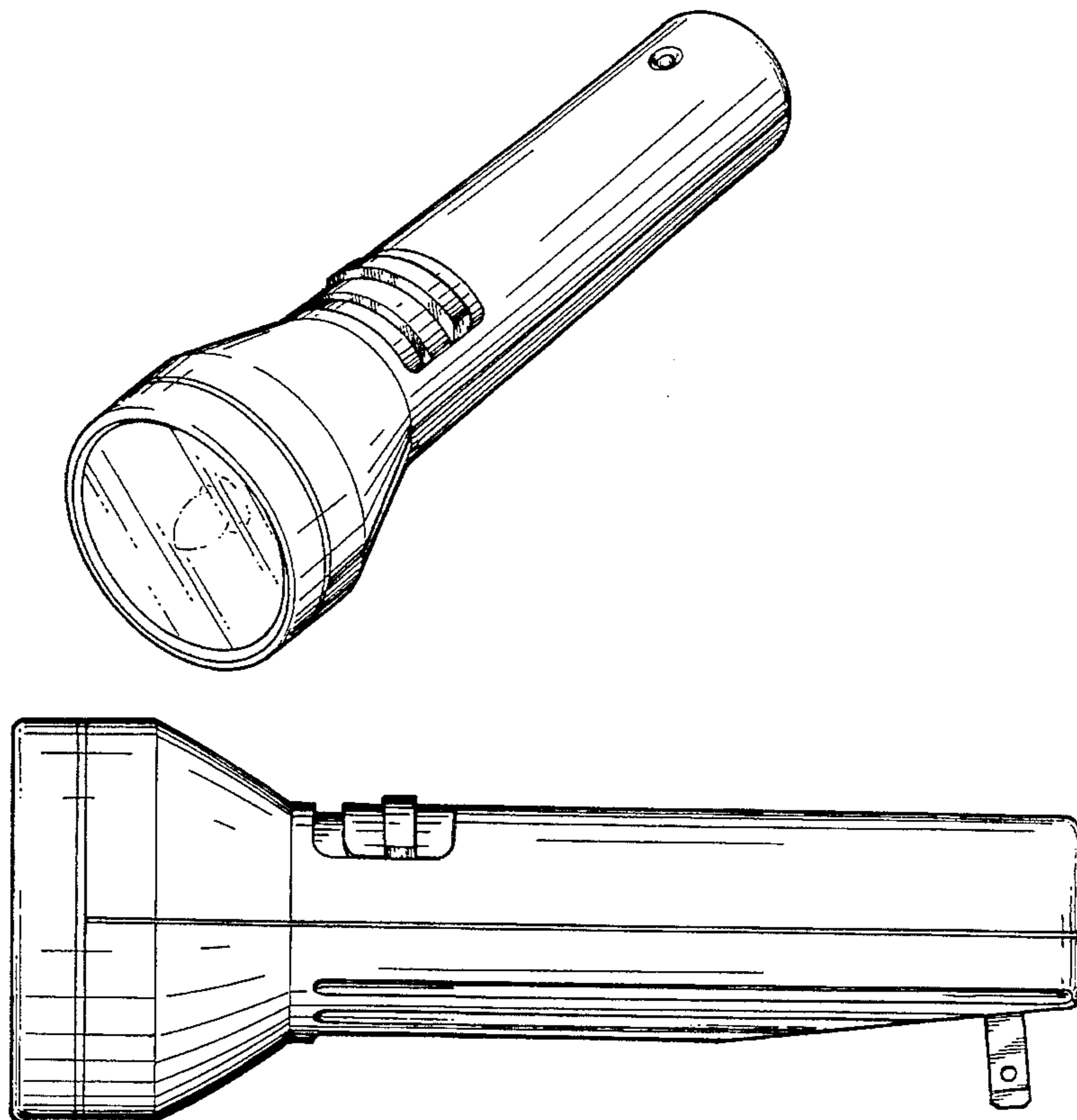
The broken lines are shown for illustrative purposes only and form no part of the claimed design.

1 Claim, 2 Drawing Sheets

[56] References Cited

U.S. PATENT DOCUMENTS

D. 221,248	7/1971	Angibaud	D48/24
D. 228,519	10/1973	Moore	D48/24 A
D. 233,469	10/1974	Moore	D48/24 A
D. 240,550	7/1976	Brindley	D48/24 A
D. 241,971	10/1976	Brindley	D48/24 A
D. 271,807	12/1983	Sassmann	D26/37
D. 294,869	3/1988	Kwan	D26/49
D. 299,274	1/1989	Ohashi	D26/49
D. 308,253	5/1990	Battles	D26/38
D. 312,138	11/1990	Burns	D26/49
D. 314,057	1/1991	Naldi	D26/49



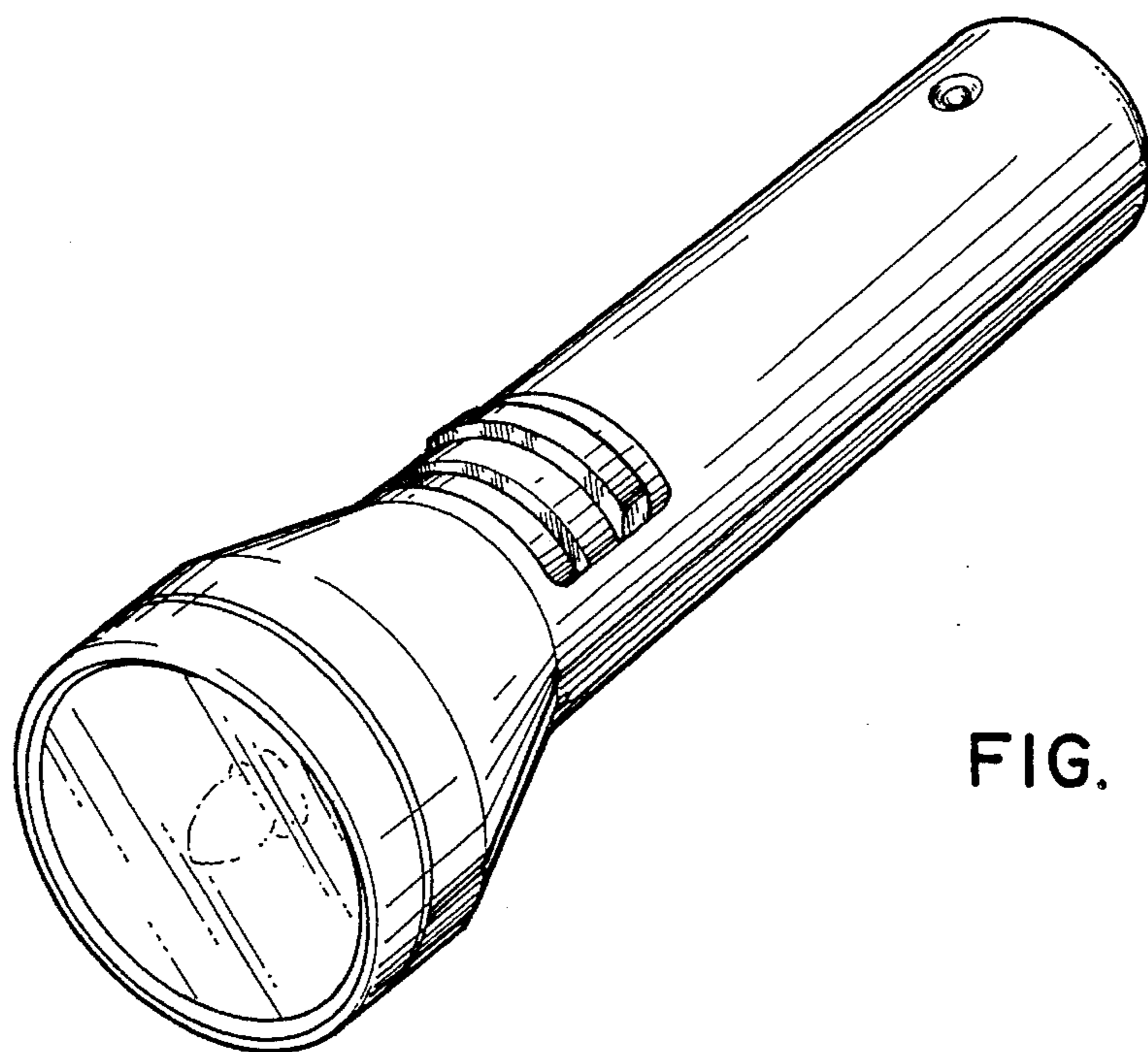


FIG. 1

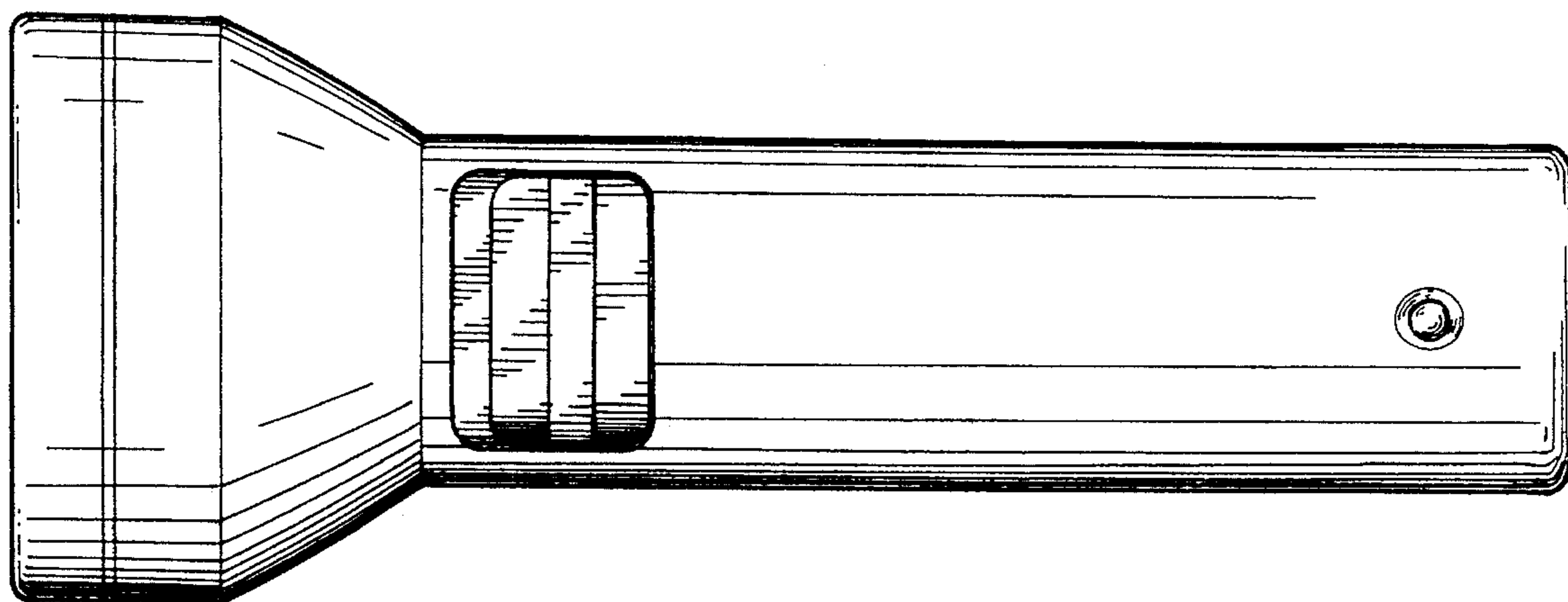


FIG. 2

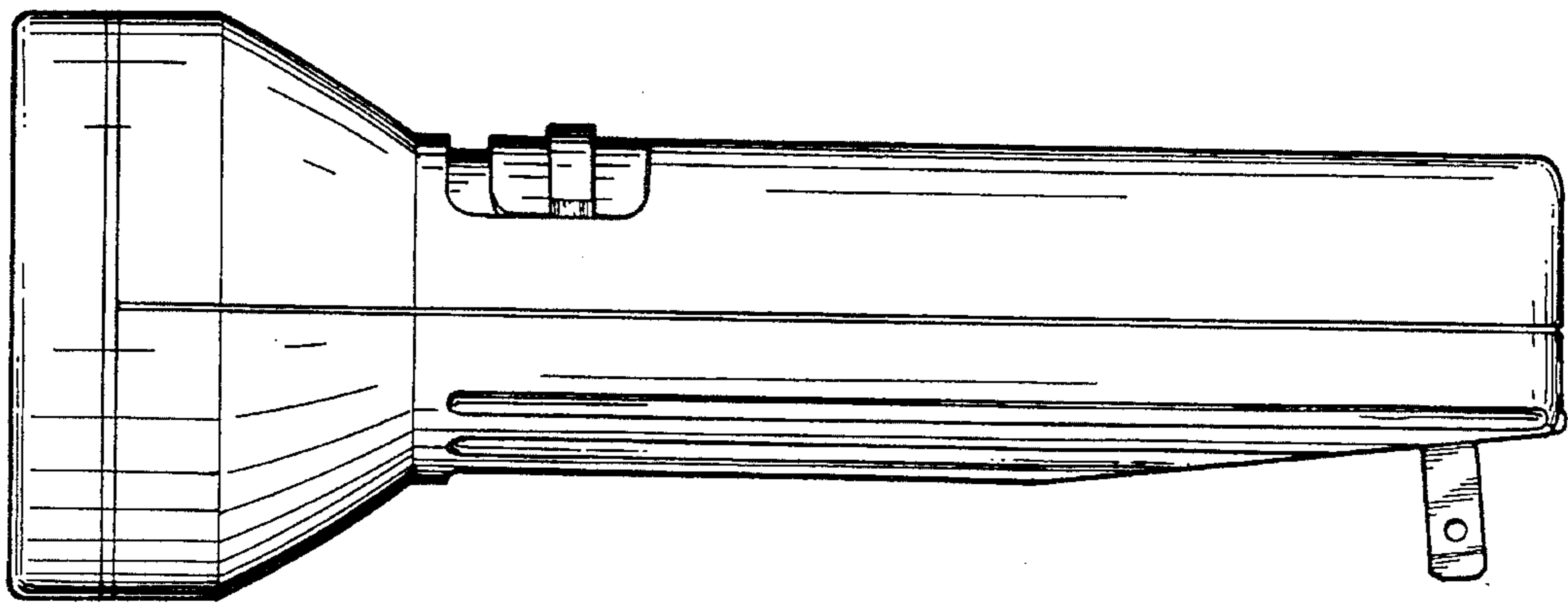


FIG. 3

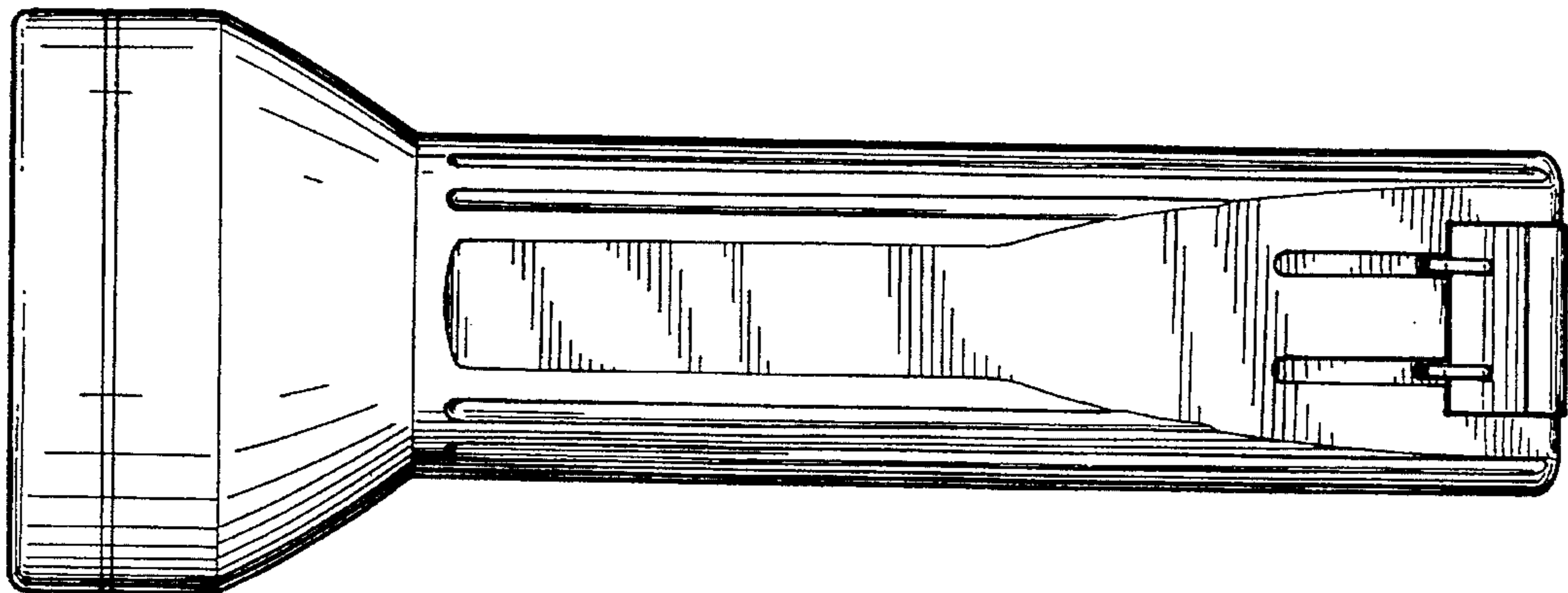


FIG. 4

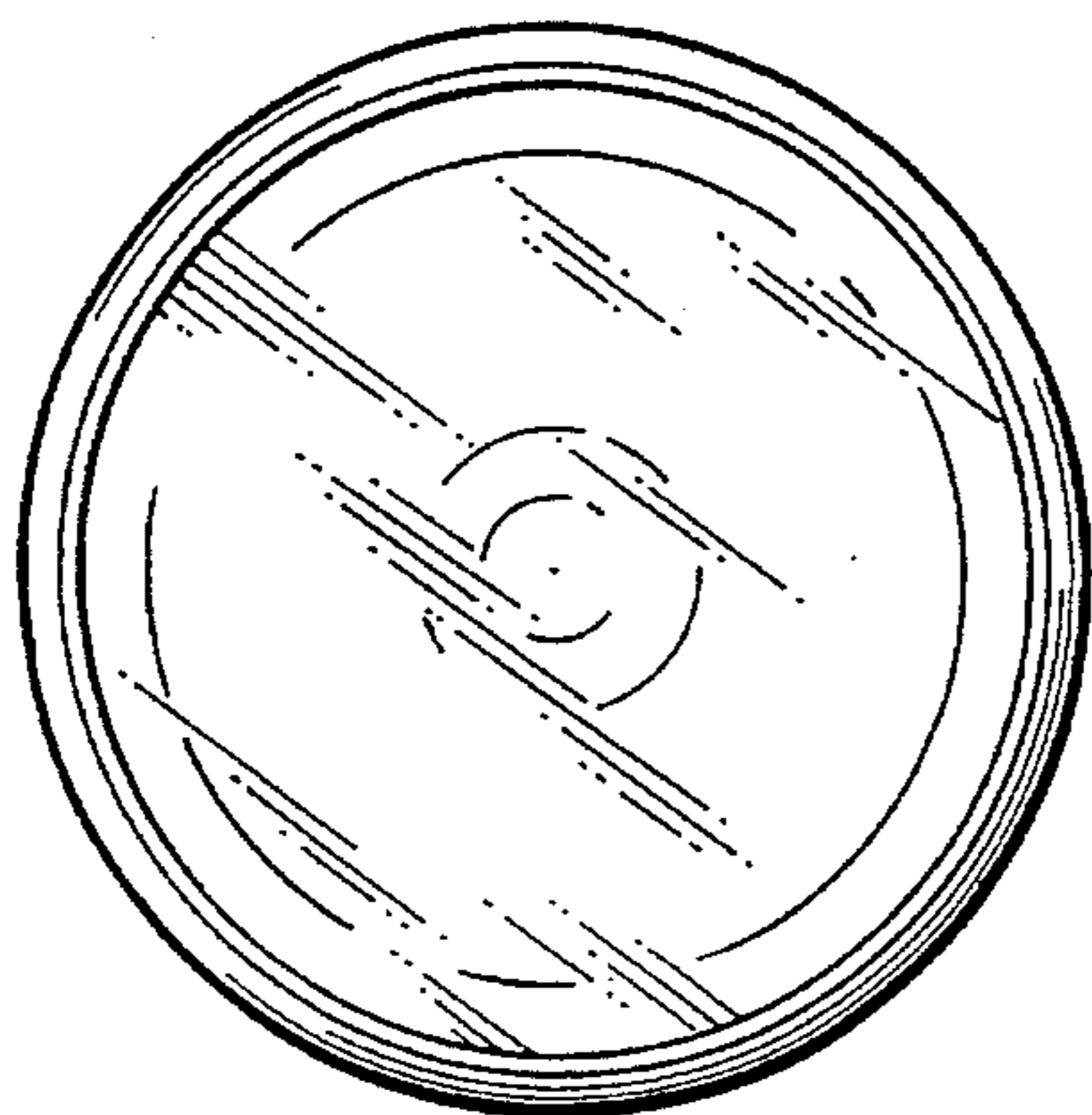


FIG. 5

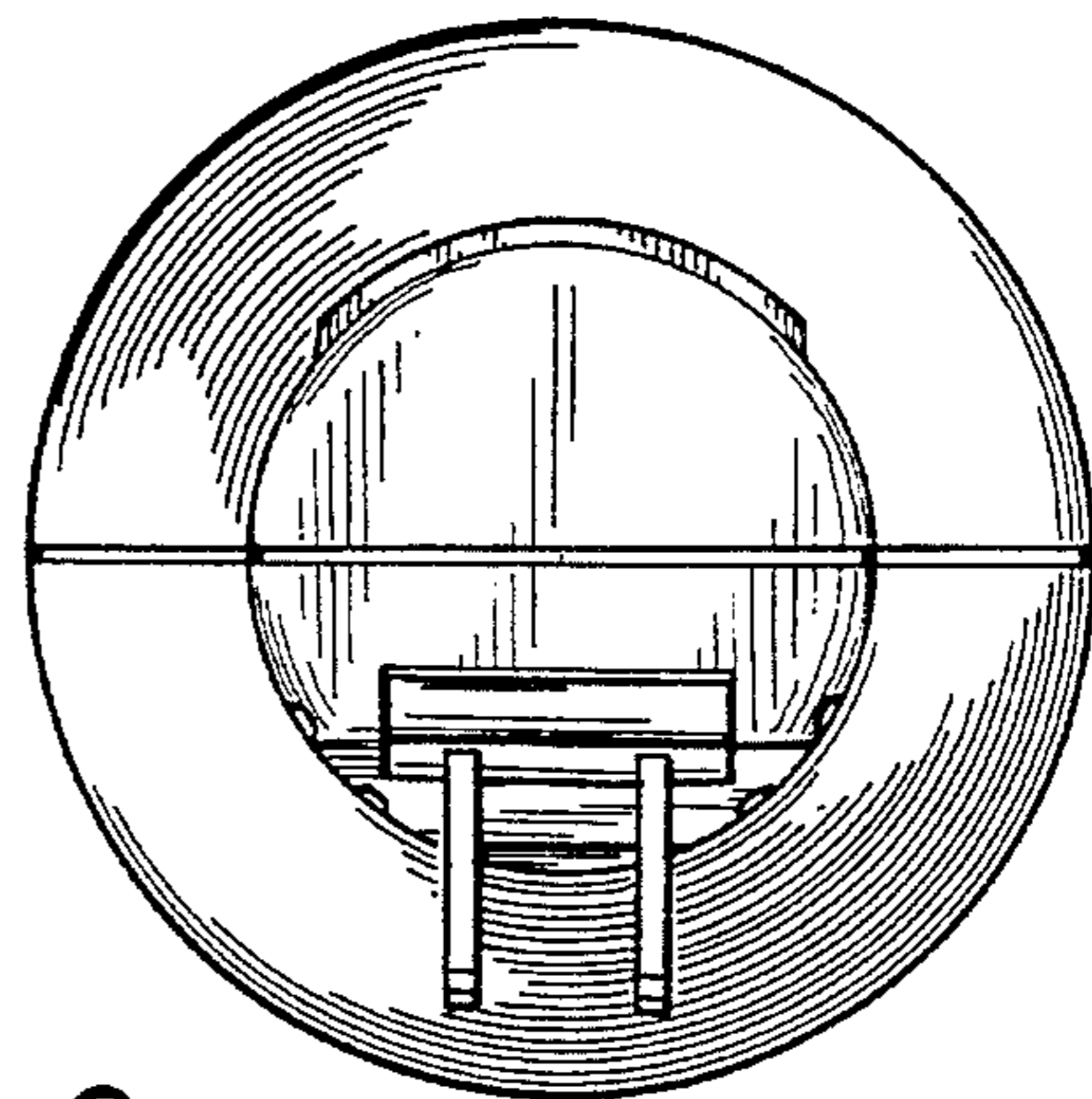


FIG. 6