



US00D368316S

United States Patent [19]

[11] Patent Number: **Des. 368,316**

Jansson

[45] Date of Patent: ****Mar. 26, 1996**

[54] **COMBINED MINER'S LAMP AND POWER SUPPLY PACK THEREFOR**

[75] Inventor: **Bjorn Jansson**, Motala, Sweden

[73] Assignee: **Itab Industri AB**, Jonkoping, Sweden

[**] Term: **14 Years**

[21] Appl. No.: **27,461**

[22] Filed: **Sep. 17, 1993**

[30] **Foreign Application Priority Data**

Mar. 17, 1993 [SE] Sweden 93-0662

[52] U.S. Cl. **D26/39**

[58] Field of Search D26/37, 38, 39, D26/43; D13/103; 362/103, 105, 106, 108, 157, 158, 194, 195

[56] **References Cited**

U.S. PATENT DOCUMENTS

D. 191,532	10/1961	Beers	D26/39
D. 270,482	9/1983	Jones	D26/39 X
D. 274,758	7/1984	Shing	D26/39
2,640,980	6/1953	Prupis	362/106 X
4,317,162	2/1982	Richards et al.	362/106

Primary Examiner—Susan J. Lucas

Attorney, Agent, or Firm—Cushman Darby & Cushman

[57] **CLAIM**

The ornamental design for a combined miner's lamp and power supply pack therefor, as shown and described.

DESCRIPTION

FIG. 1 is a perspective view of a combined miner's lamp and power supply pack therefor showing the miner's lamp

portion thereof from the front, top and left side thereof and the power supply pack portion thereof from the top, front and right side thereof;

FIG. 2 is a fragmentary perspective view thereof on a larger scale, showing the power supply pack portion thereof from the top, front and left side thereof, and a contiguous part of the power cable portion thereof;

FIG. 3 is a fragmentary perspective view thereof on a larger scale, showing the power supply pack portion thereof from the top, rear and right side thereof, and a contiguous part of the power cable portion thereof;

FIG. 4 is a bottom plan view on a larger scale, of the power supply pack portion thereof;

FIG. 5 is a front elevational view on a larger scale, of the power supply pack portion thereof;

FIG. 6 is a left side elevational view on a larger scale, of the power supply pack portion thereof;

FIG. 7 is a bottom plan view on a larger scale, of the miner's lamp portion thereof;

FIG. 8 is a fragmentary perspective view thereof on a larger scale, showing the miner's lamp portion thereof from the bottom, front and right side thereof, and a contiguous part of the power cable portion thereof;

FIG. 9 is a fragmentary perspective view thereof on a larger scale, showing the miner's lamp portion thereof from the bottom, rear and right side thereof;

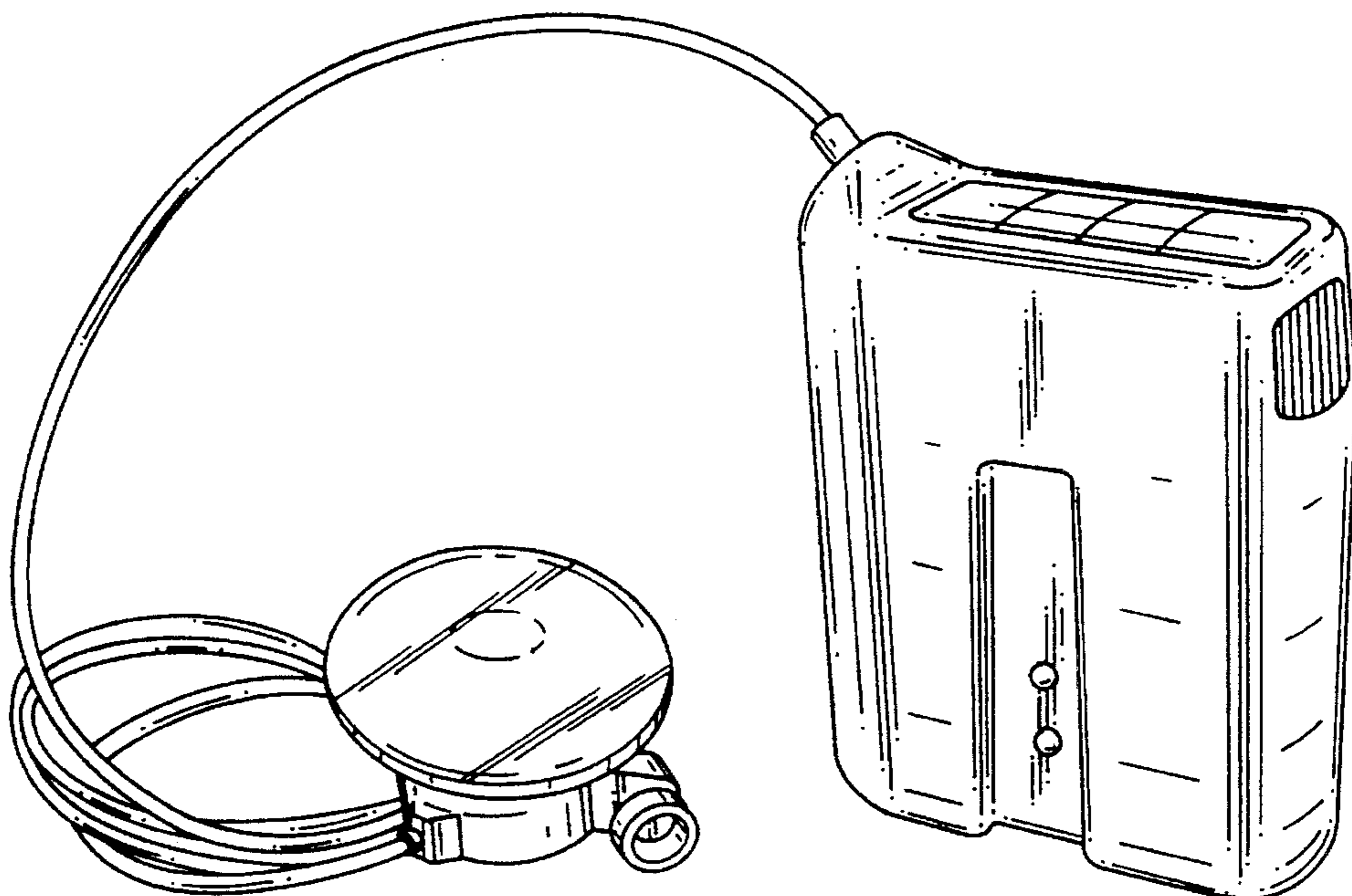
FIG. 10 is a top plan view on a larger scale, of the miner's lamp portion thereof;

FIG. 11 is a right side elevational view on a larger scale, of the miner's lamp portion thereof; and,

FIG. 12 is a left side elevational view, on a larger scale, of the miner's lamp portion thereof.

The miner's lamp is omitted from FIGS. 1 through 4 and the power pack is omitted from FIGS. 5 through 7 for convenience of illustration.

1 Claim, 6 Drawing Sheets



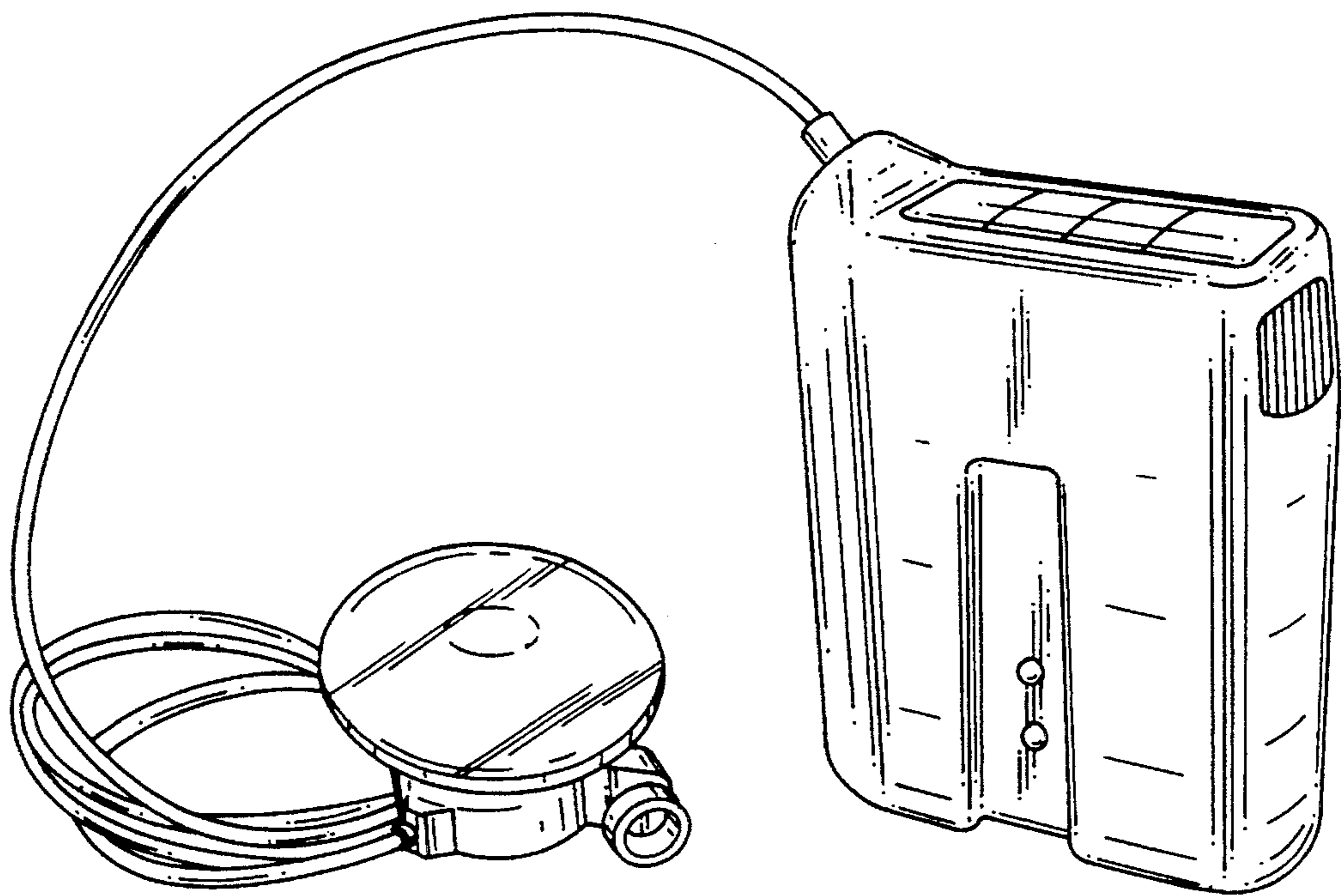


FIG. 1

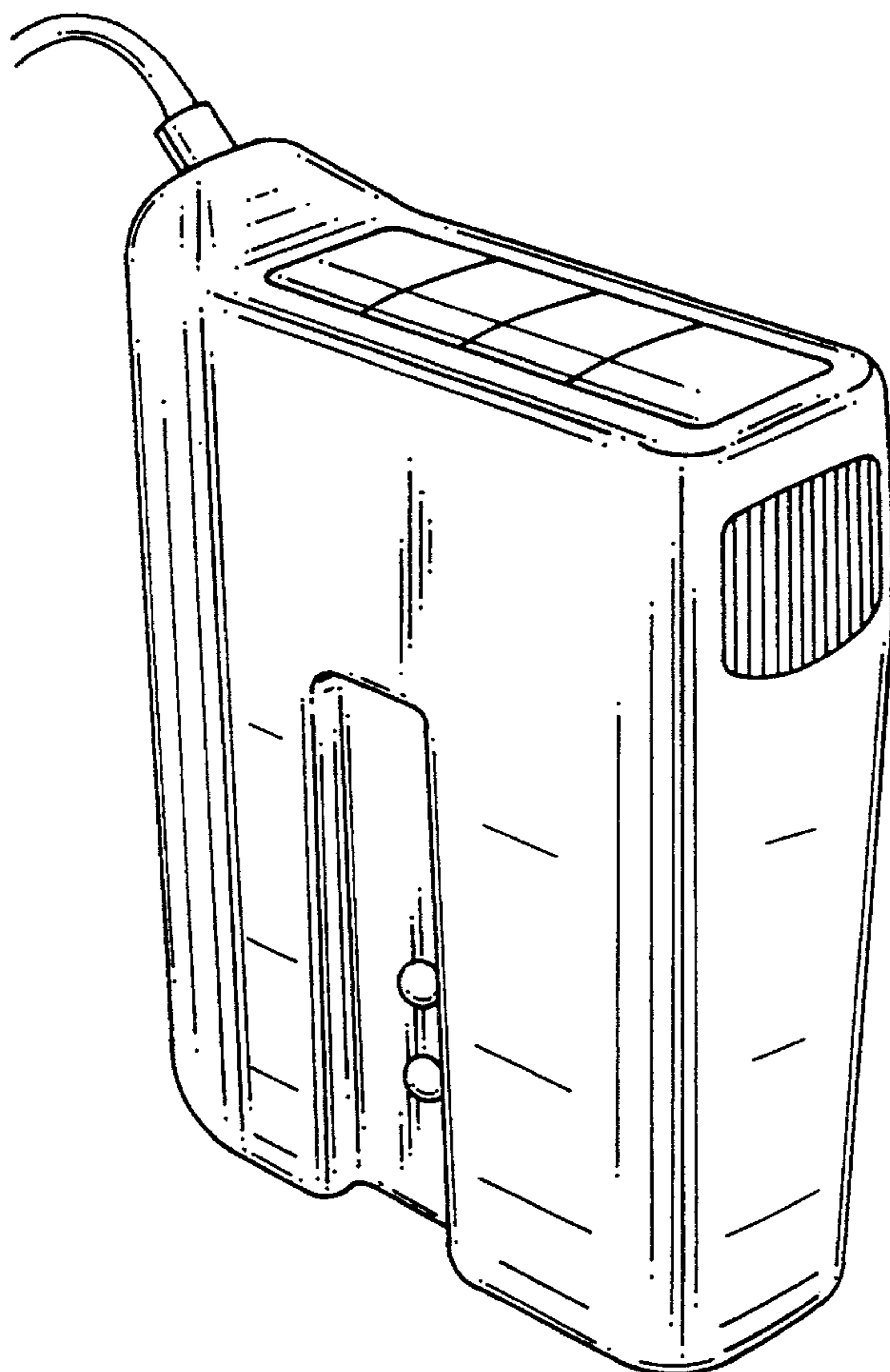


FIG. 2

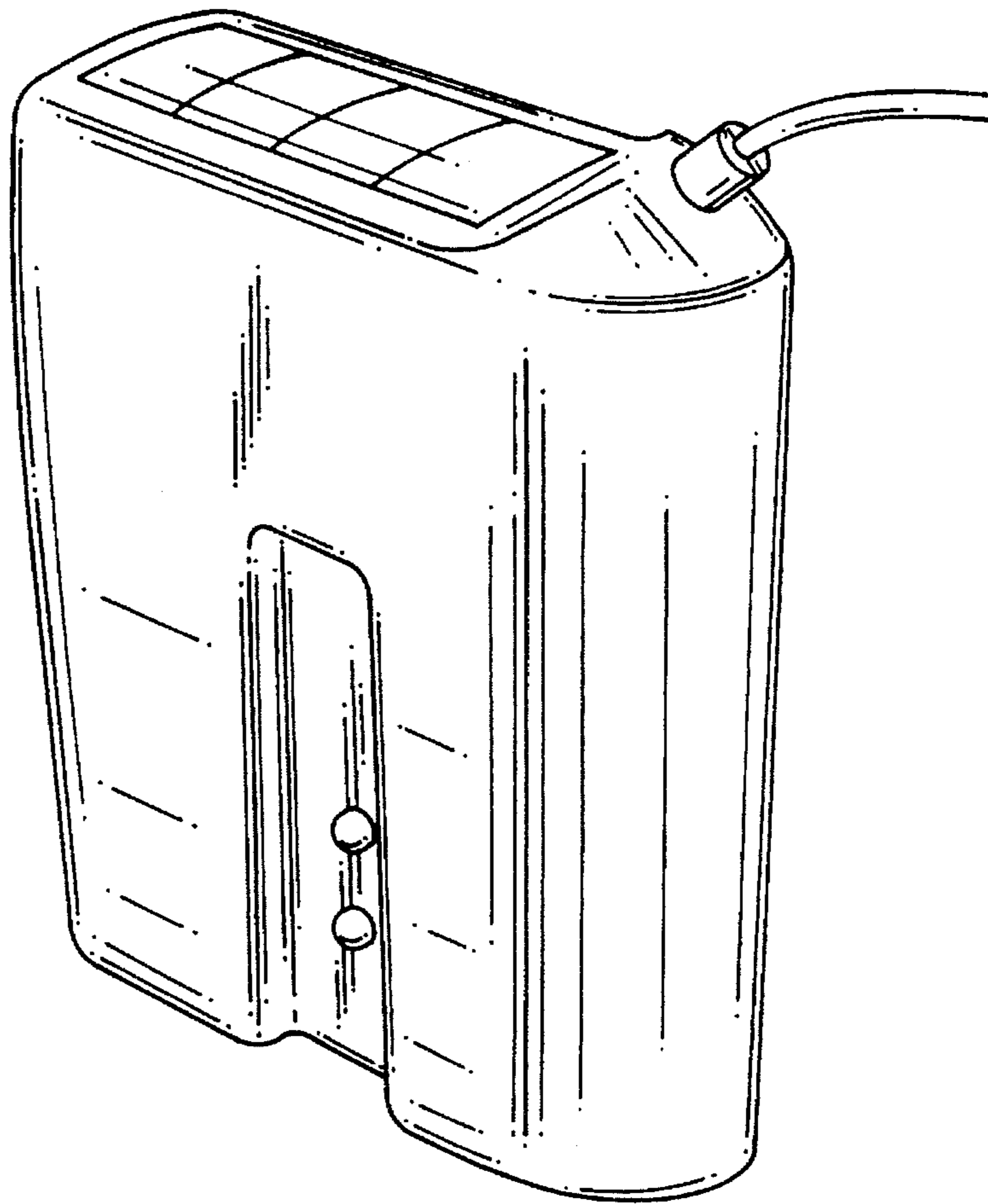


FIG. 3

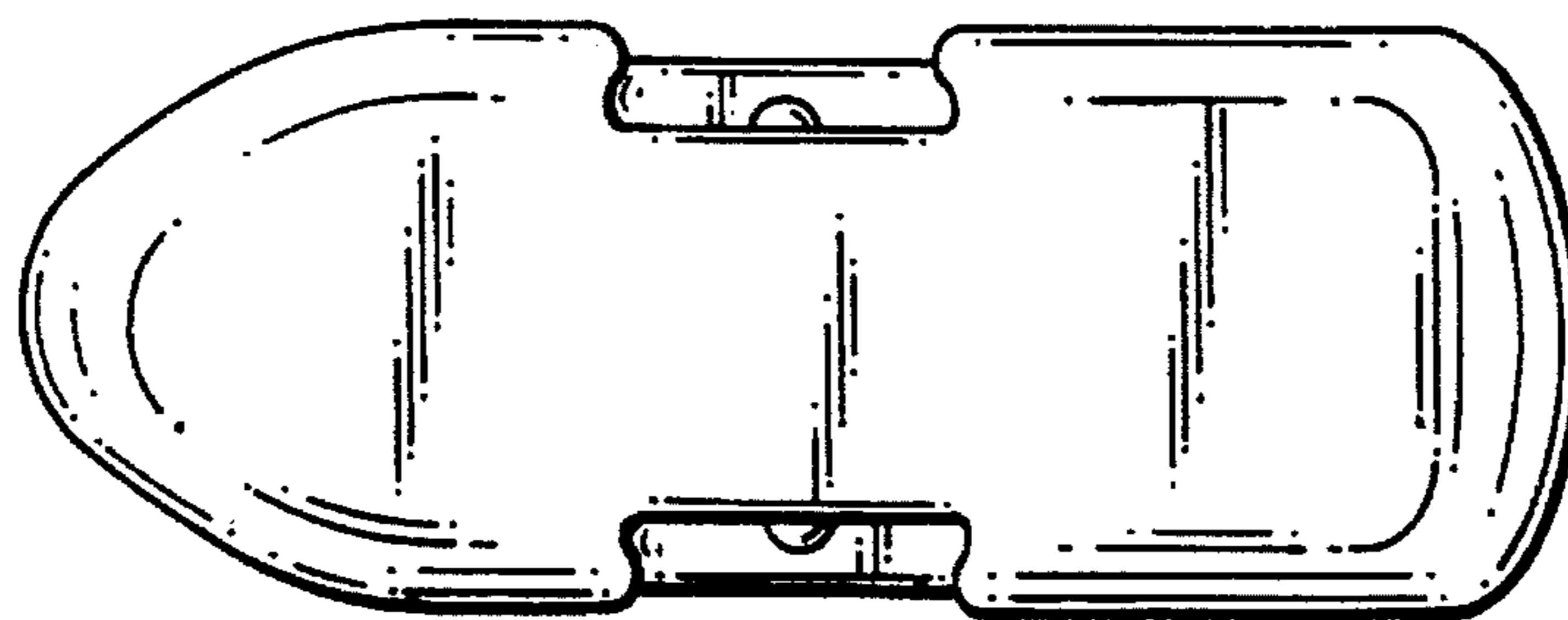


FIG. 4

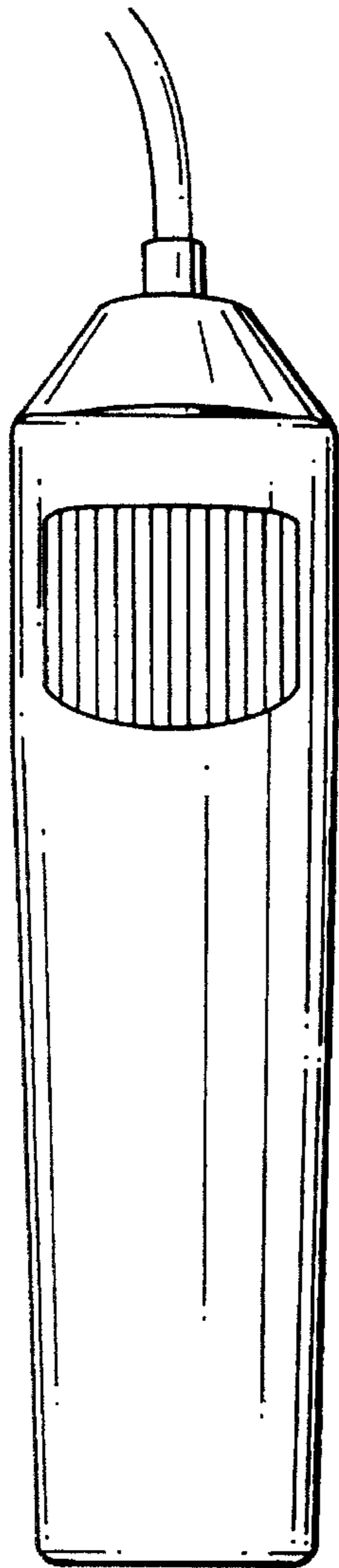


FIG. 5

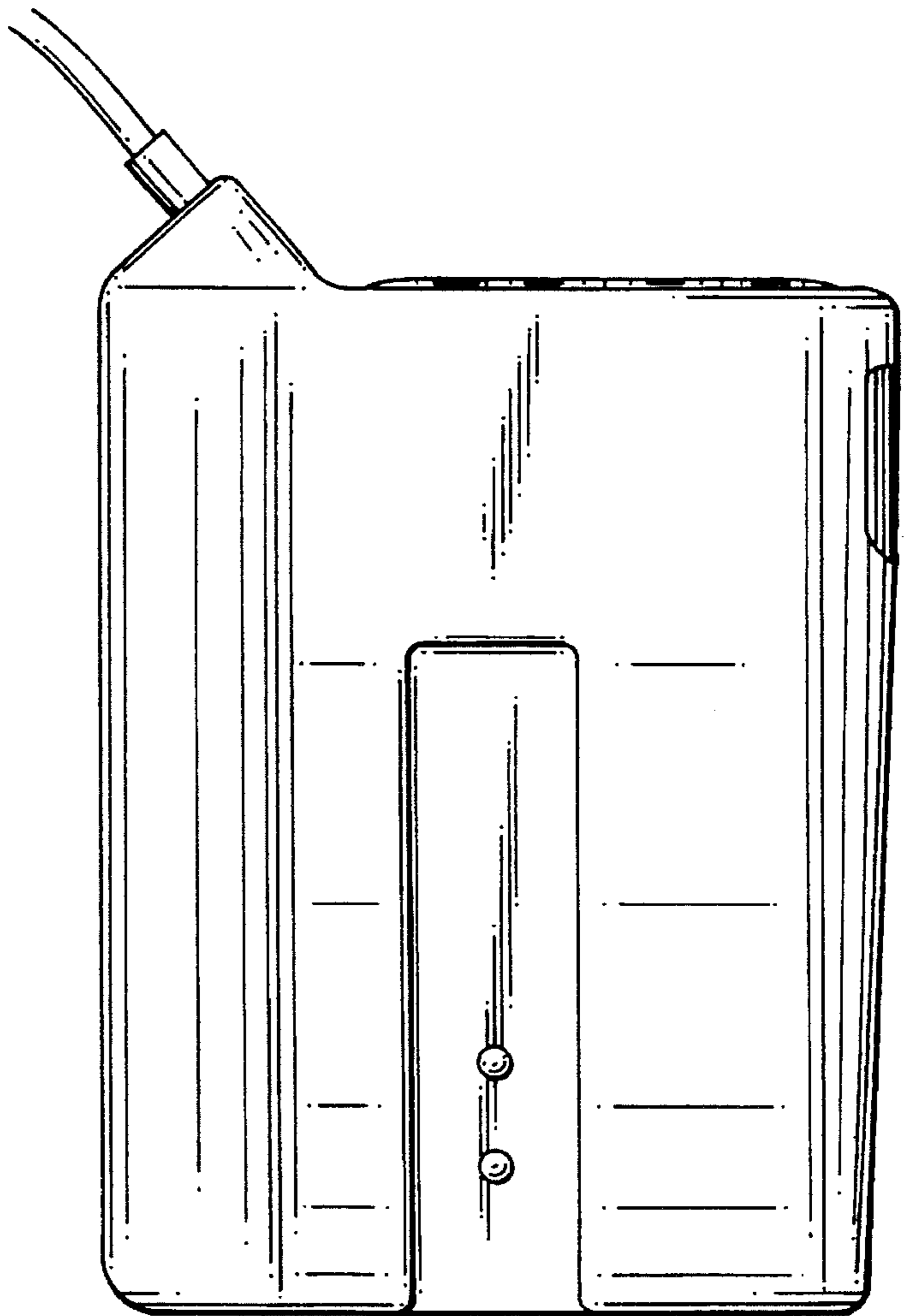


FIG. 6

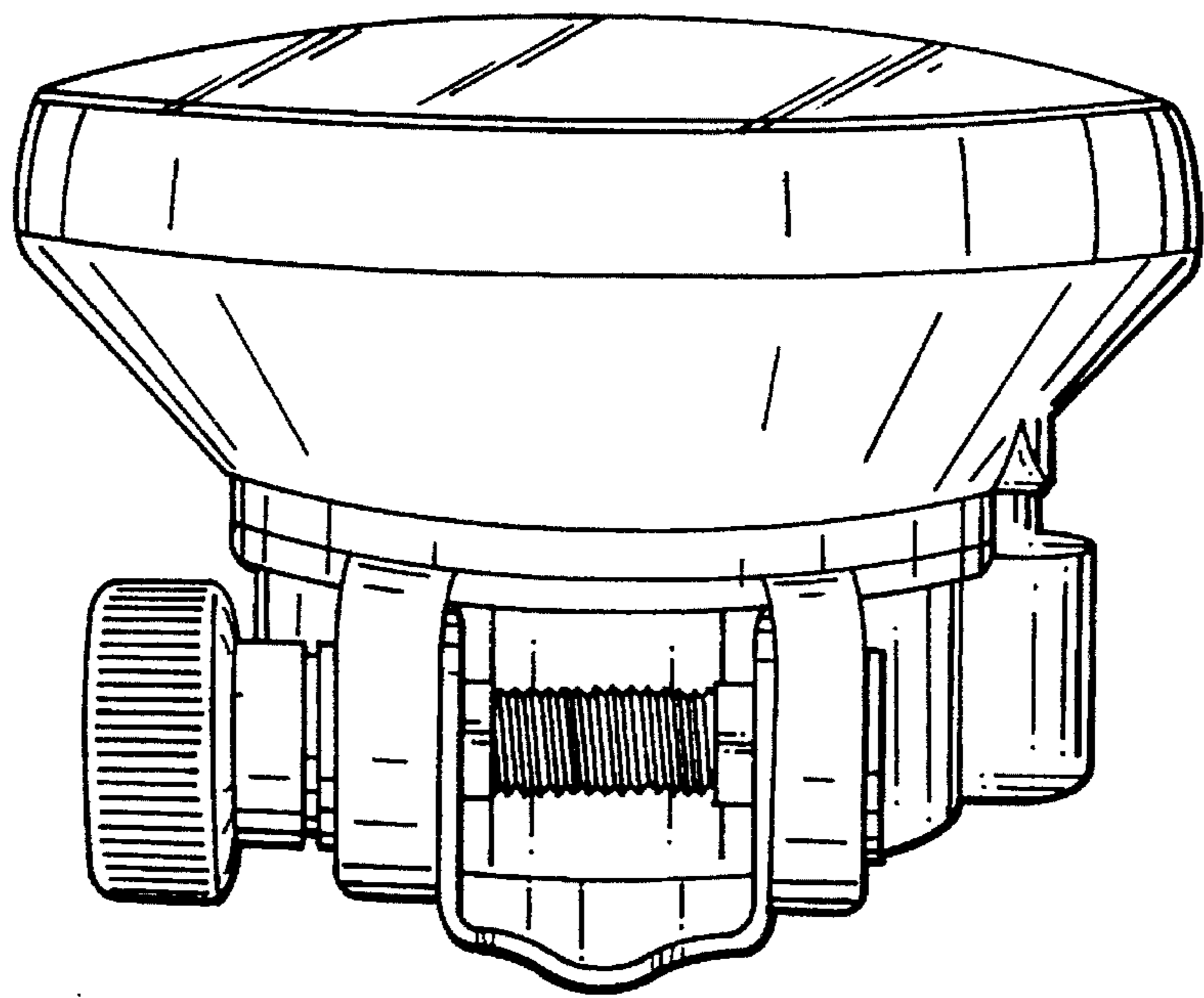


FIG. 7

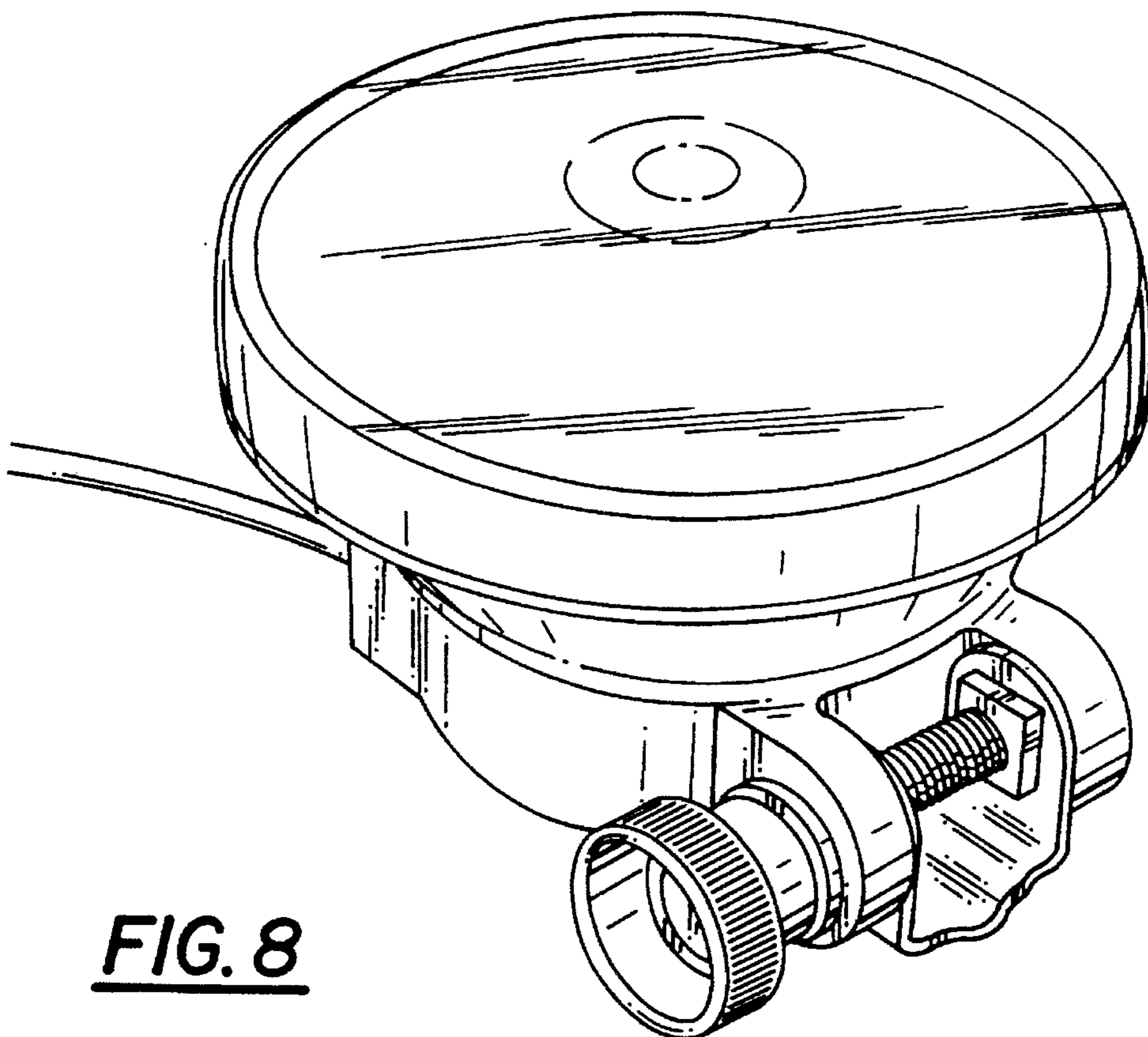


FIG. 8

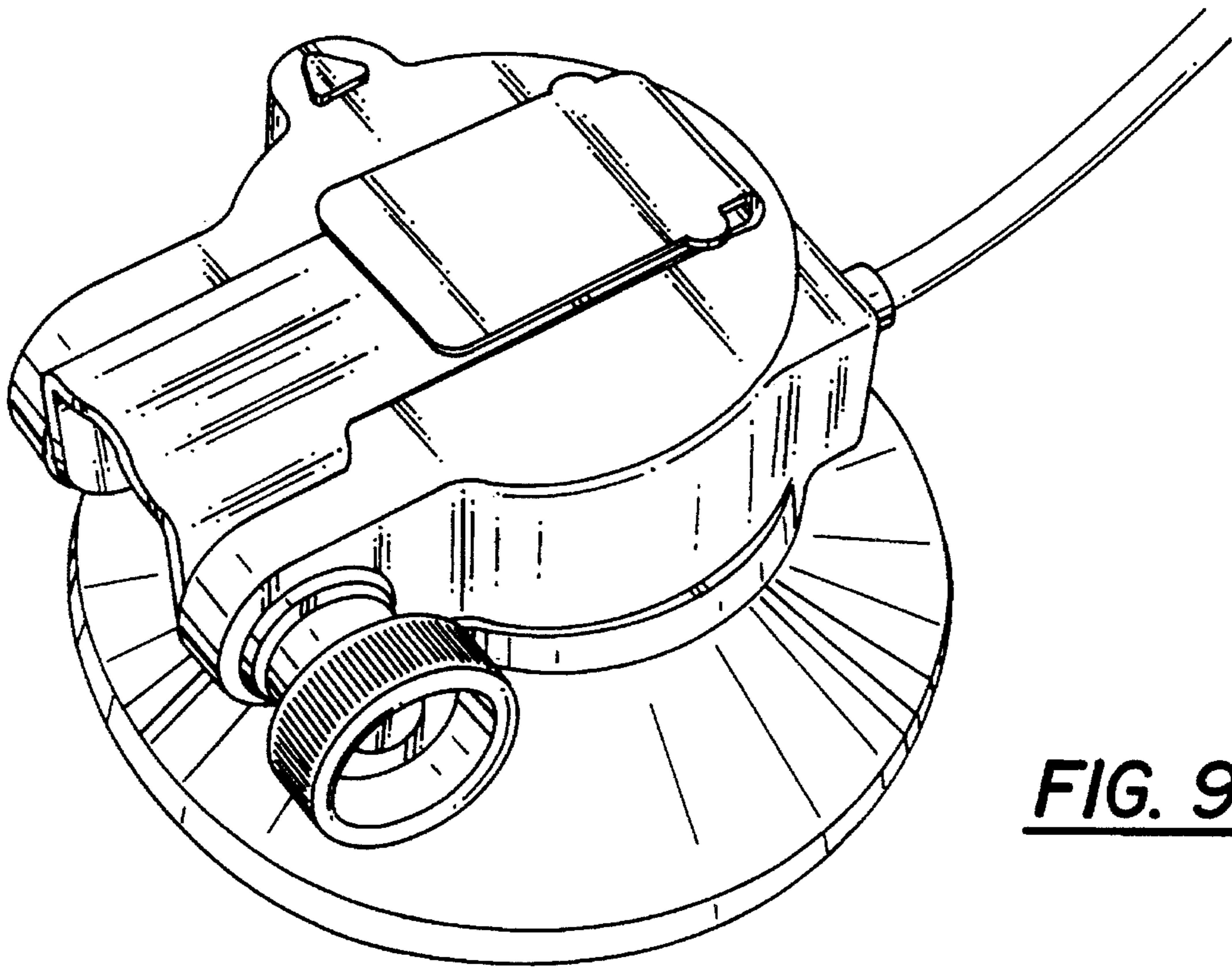


FIG. 9

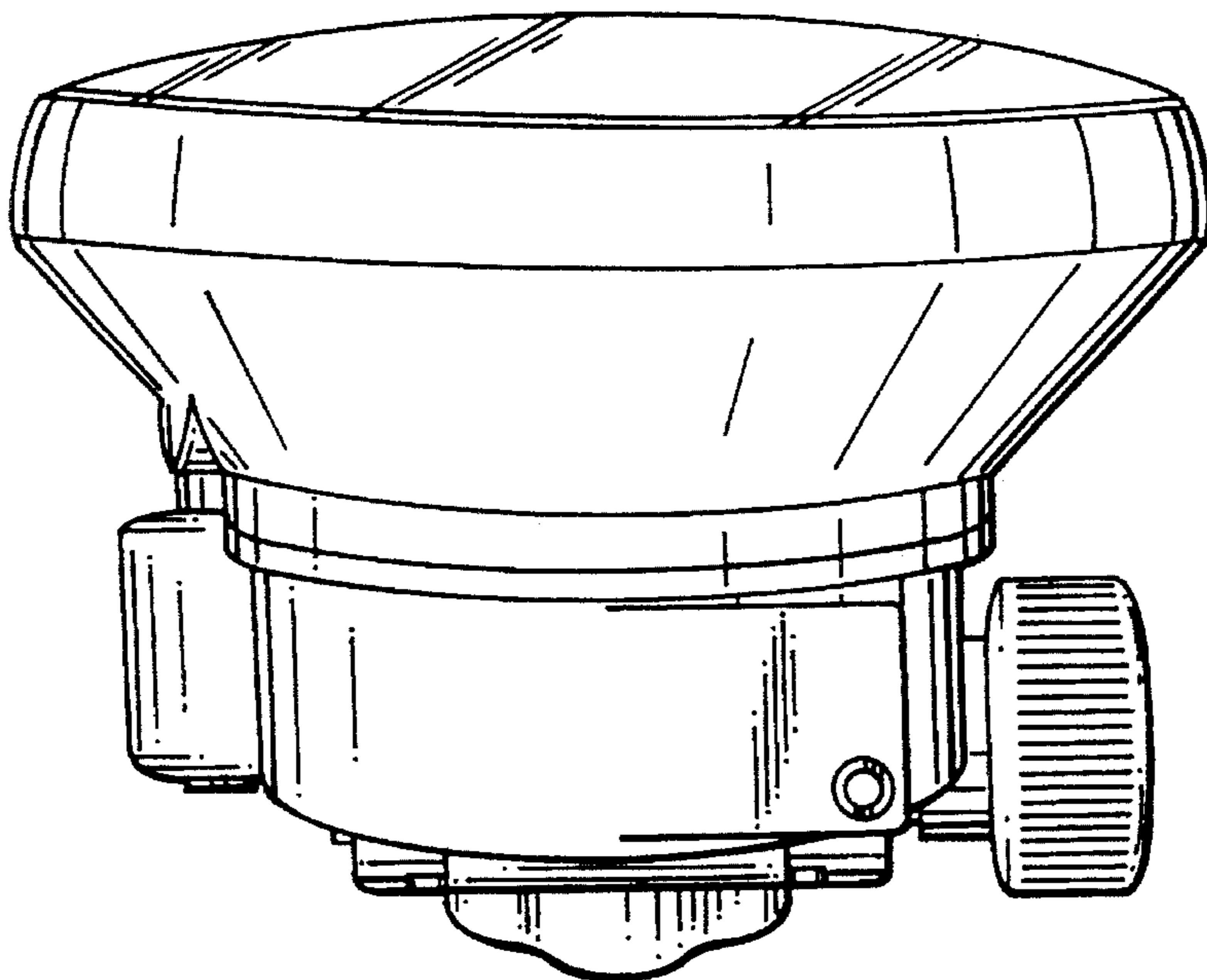


FIG. 10

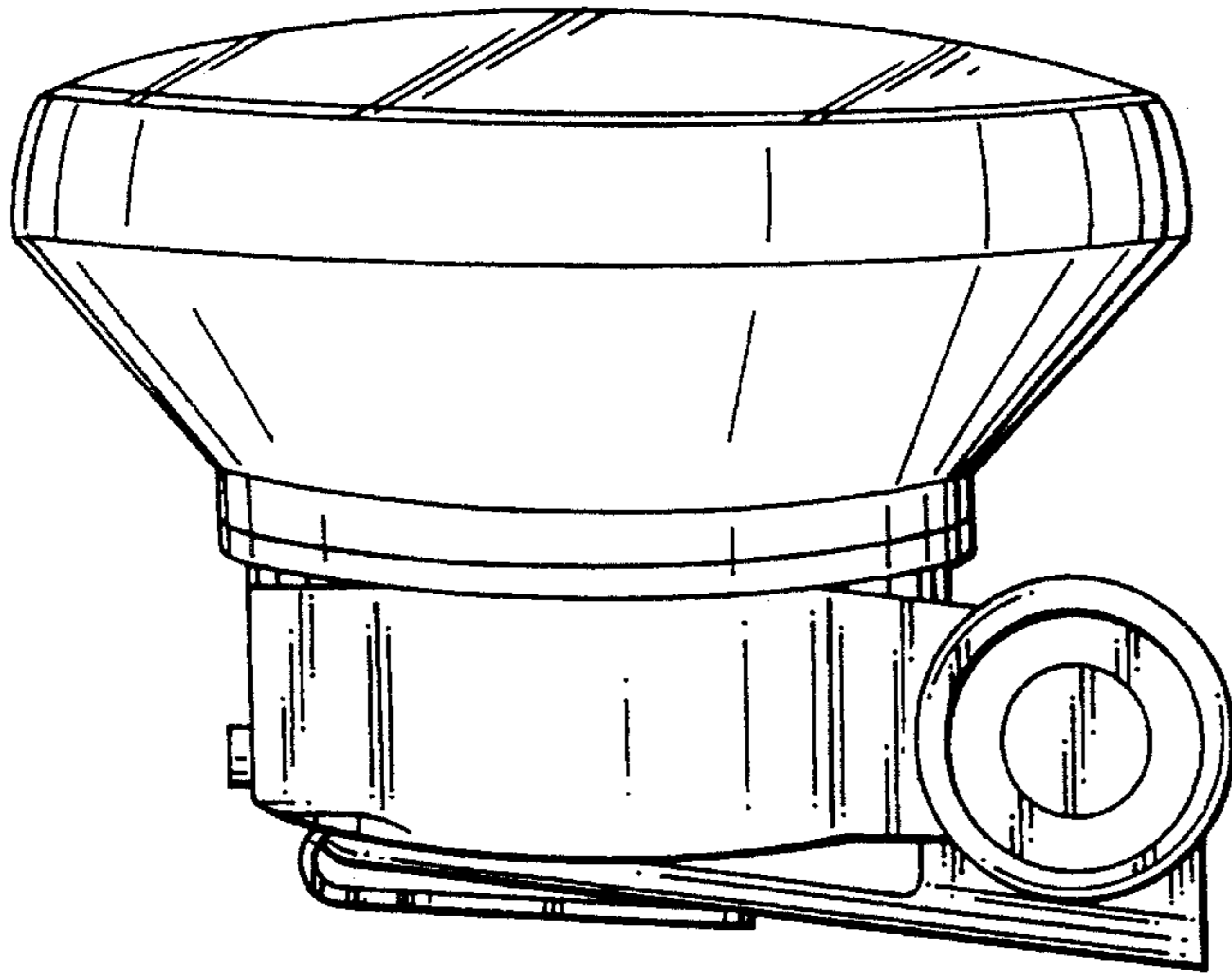


FIG. 11

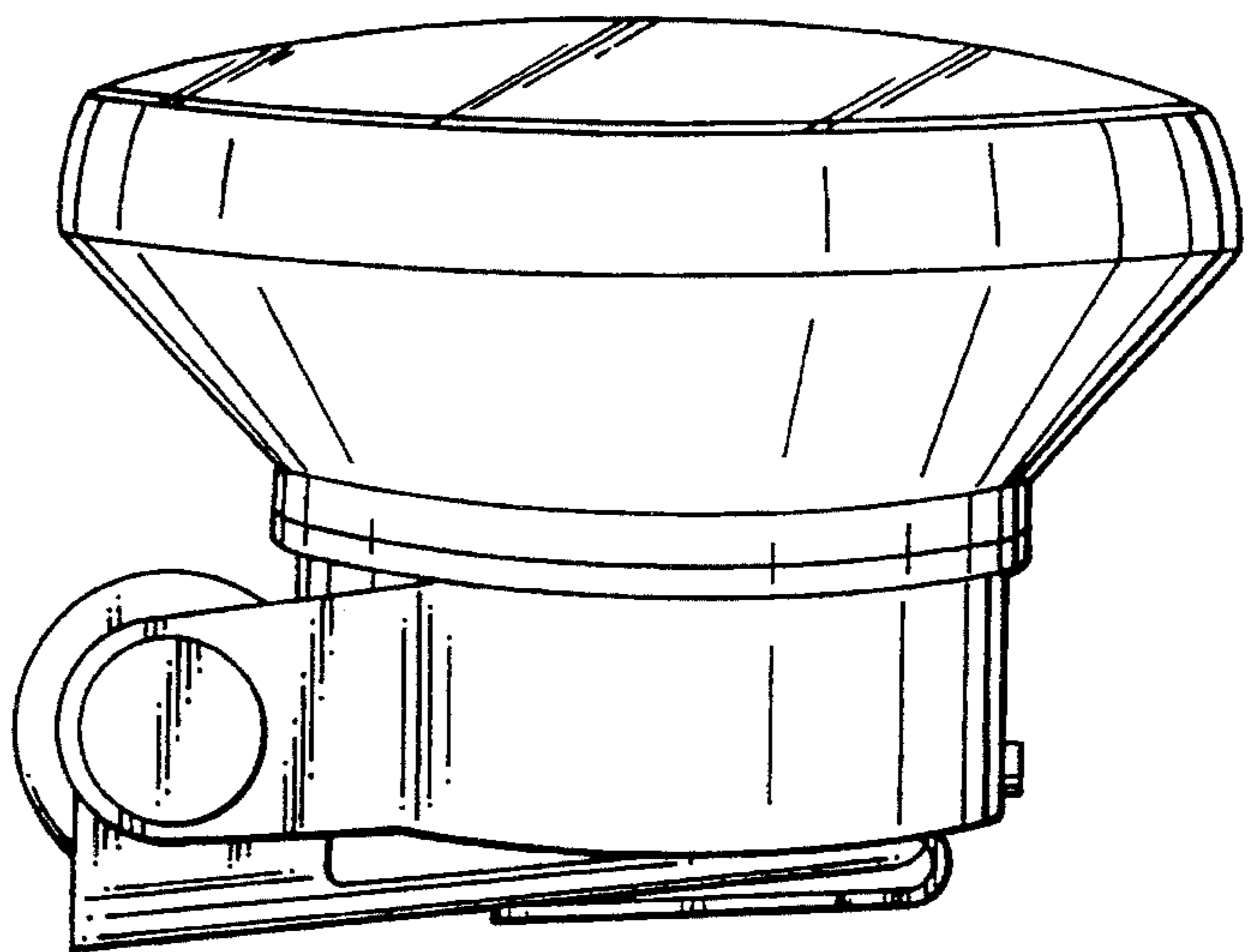


FIG. 12