



US00D368304S

# United States Patent [19]

[11] Patent Number: **Des. 368,304**

Morrison

[45] Date of Patent: **\*\*Mar. 26, 1996**

[54] **COMBINED HOSE AND FLOW LINE  
COUPLING MEMBER**

D. 313,067 12/1990 Kotake et al. .... D23/262  
5,181,508 1/1993 Poole, Jr. .... D24/129 X

[75] Inventor: **Leigh W. Morrison**, Victoria, Australia

*Primary Examiner*—Stella Reid  
*Assistant Examiner*—Eric Watterson  
*Attorney, Agent, or Firm*—Oliff & Berridge

[73] Assignee: **Australasian Steel Products Pty. Ltd.**,  
Victoria, Australia

[\*\*] Term: **14 Years**

[57] **CLAIM**

[21] Appl. No.: **32,451**

The ornamental design for a combined hose and flow line coupling member, as shown and described.

[22] Filed: **Dec. 19, 1994**

**DESCRIPTION**

[52] U.S. Cl. .... **D23/262**

[58] Field of Search ..... D23/260-265;  
D24/112, 110.5, 129; 251/149.1, 149.6;  
137/614.06

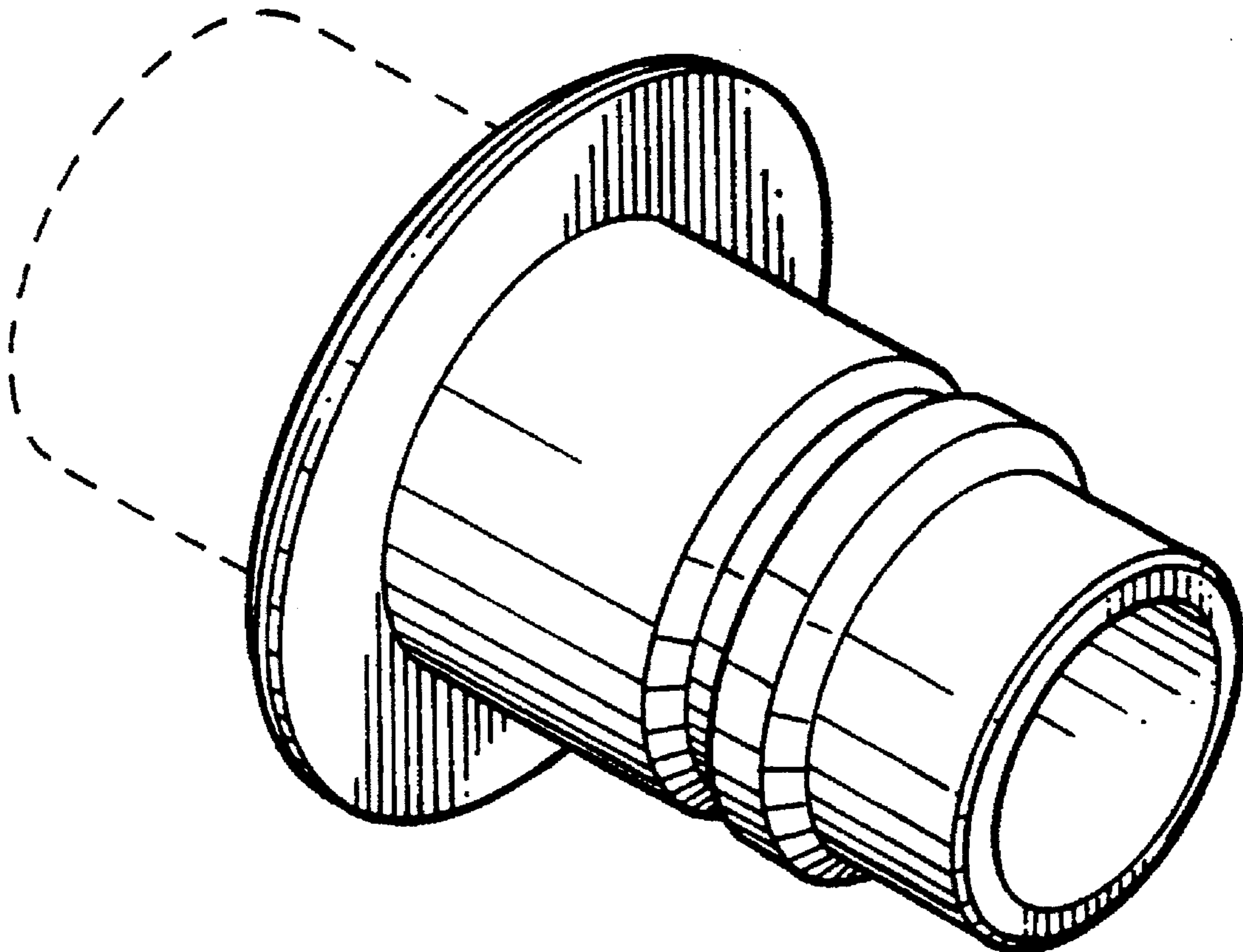
FIG. 1 is a side view of the combined hose and flow line coupling member, the opposite side being a mirror image; FIG. 2 is a rear view of the design in FIG. 1; FIG. 3 is a front view of the design in FIG. 1; and, FIG. 4 is a front perspective view of the design in FIG. 1. The broken line showing is for illustrative purposes only and forms no part of the claimed design.

[56] **References Cited**

**U.S. PATENT DOCUMENTS**

D. 235,343 6/1975 Otto ..... D23/262  
D. 254,505 3/1980 Parsons et al. .... D23/262

**1 Claim, 1 Drawing Sheet**



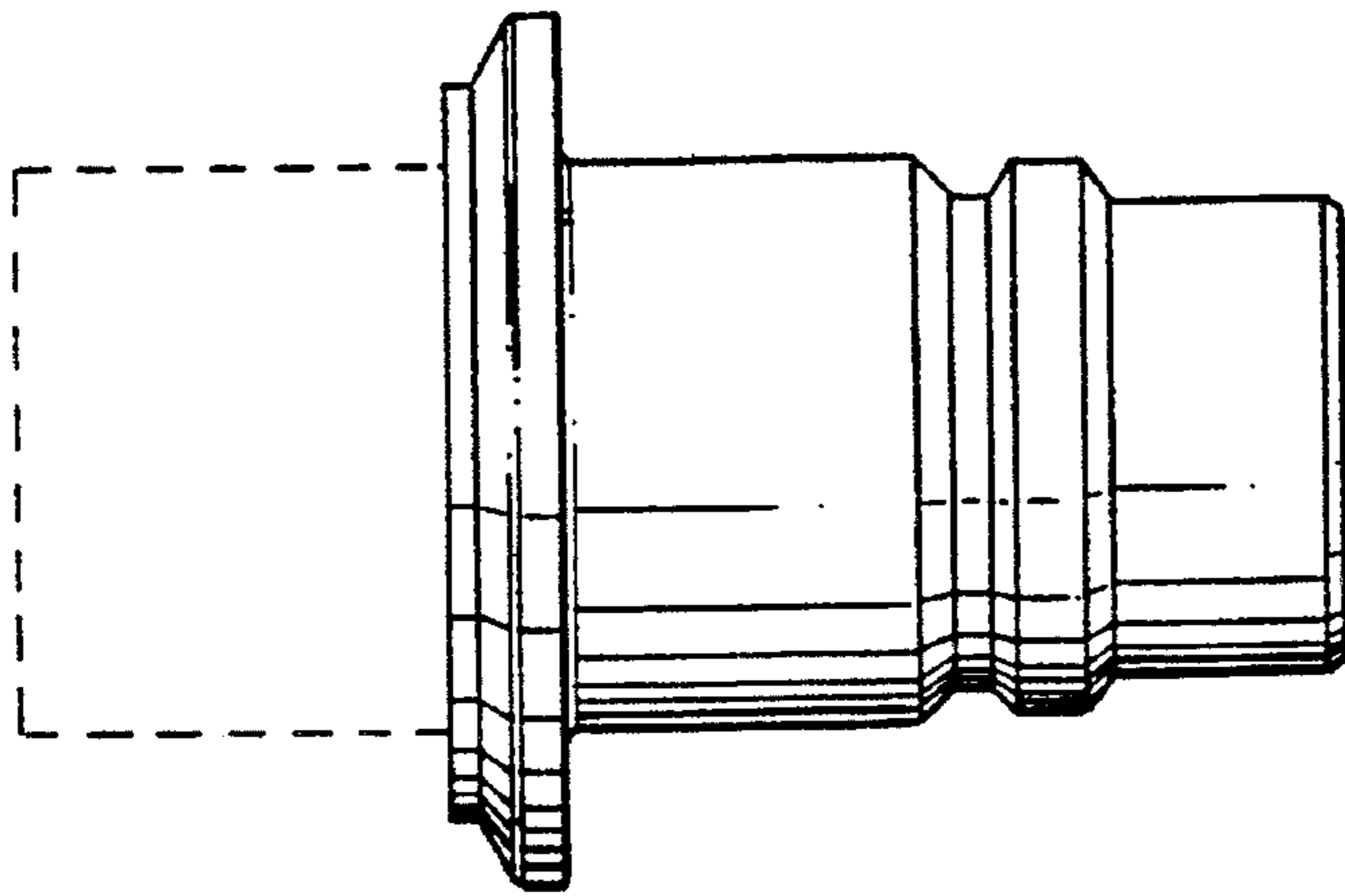


FIG. 1

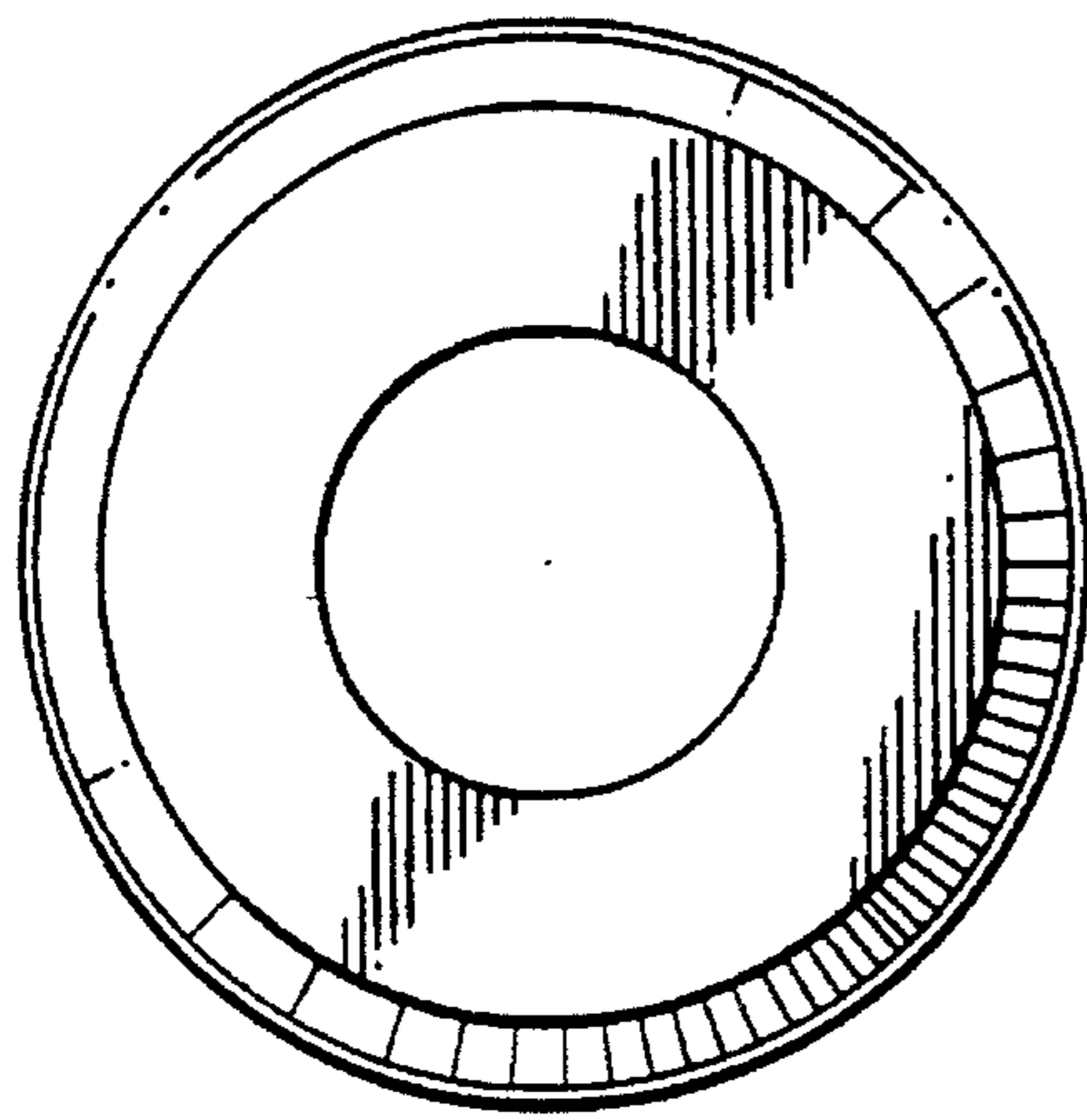


FIG. 2

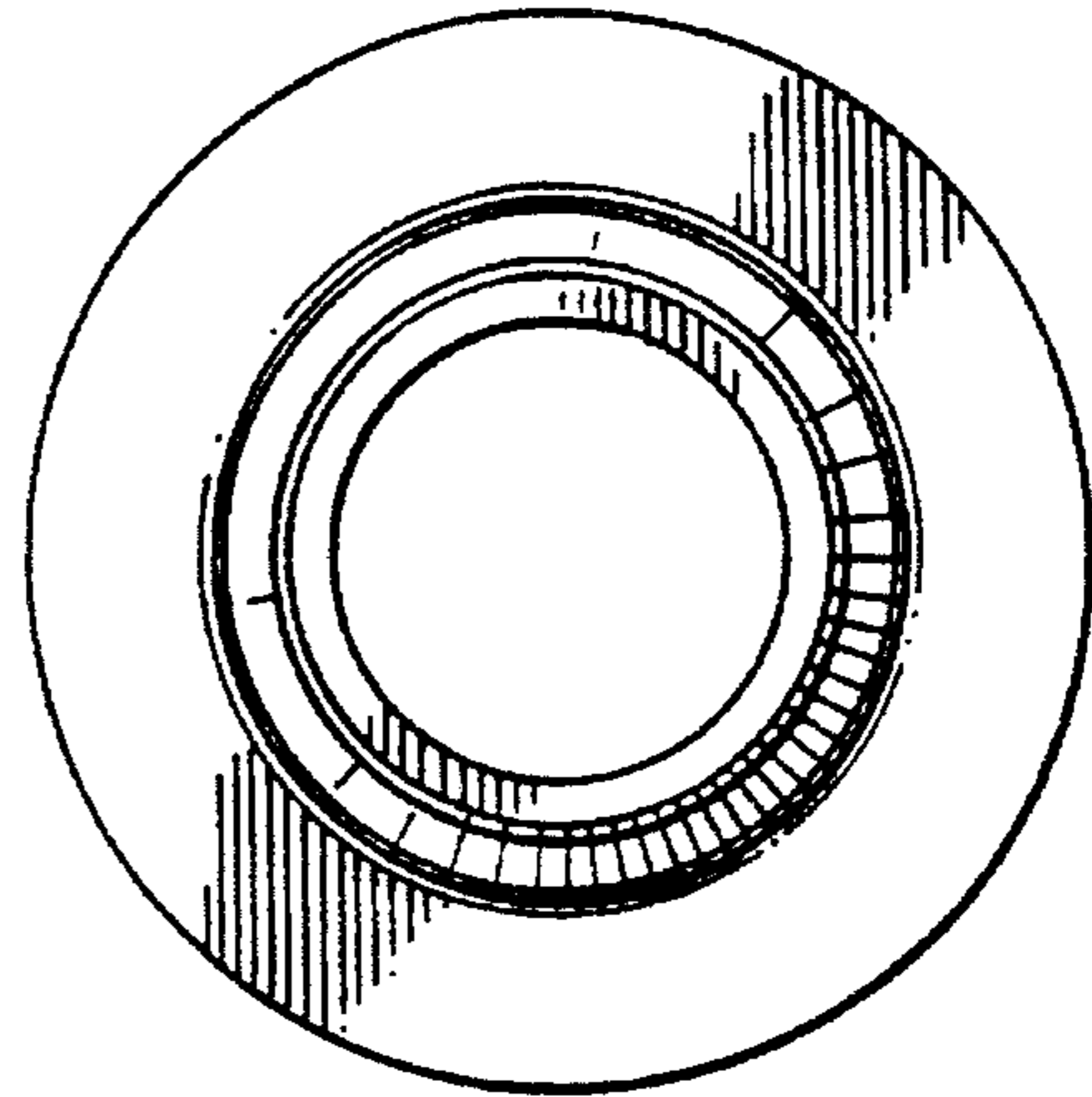


FIG. 3

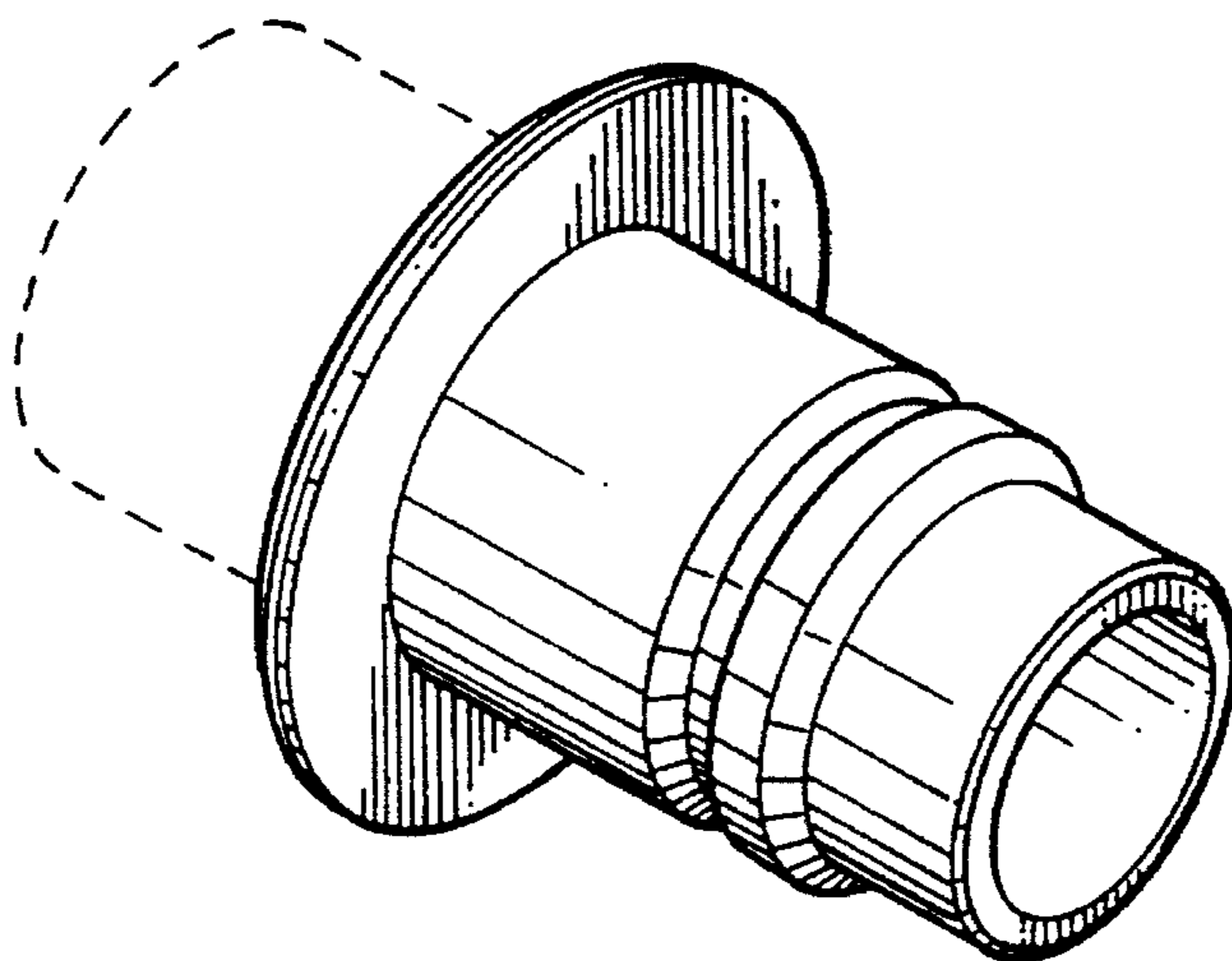


FIG. 4