



US00D368303S

United States Patent [19]

Lobermeier

[11] Patent Number: **Des. 368,303**

[45] Date of Patent: ****Mar. 26, 1996**

[54] FAUCET

[75] Inventor: **Hans Lobermeier**, Menden, Germany

[73] Assignee: **Friedrich Grohe Aktiengesellschaft**, Hemer, Germany

[**] Term: **14 Years**

[21] Appl. No.: **37,218**

[22] Filed: **Apr. 6, 1995**

[30] Foreign Application Priority Data

Oct. 31, 1994 [DE] Germany M 94 08 476.9

[52] U.S. Cl. **D23/243**

[58] Field of Search D23/238-243,
D23/250-258; 4/675-678; 137/801

[56] References Cited

U.S. PATENT DOCUMENTS

D. 253,607 12/1979 Haug D23/238

D. 324,904 3/1992 Haug et al. 23/238

D. 330,070 10/1992 Chretein D23/238

D. 353,650 12/1994 Haug et al. D23/238

3,638,680 2/1972 Kopp 4/677 X

Primary Examiner—Stella Reid
Assistant Examiner—Eric Watterson
Attorney, Agent, or Firm—Herbert Dubno

[57] CLAIM

The ornamental design for a faucet, as shown.

DESCRIPTION

FIG. 1 is a top, front, left-side perspective view of a faucet showing my new design;

FIG. 2 is a left side elevational view thereof;

FIG. 3 is a bottom view thereof;

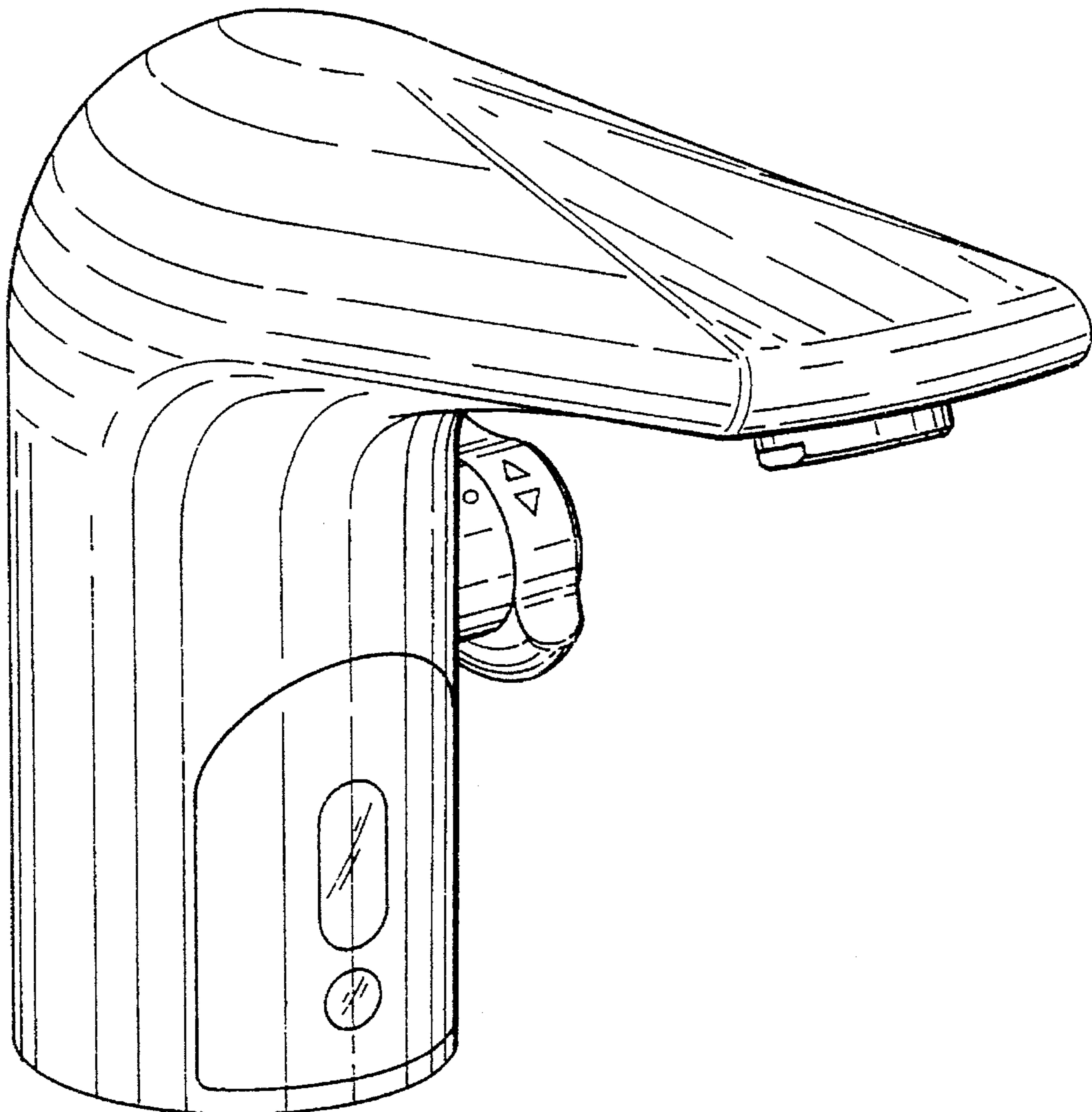
FIG. 4 is a top view thereof;

FIG. 5 is a right side elevational view thereof;

FIG. 6 is a front view thereof; and,

FIG. 7 is a rear view thereof.

1 Claim, 4 Drawing Sheets



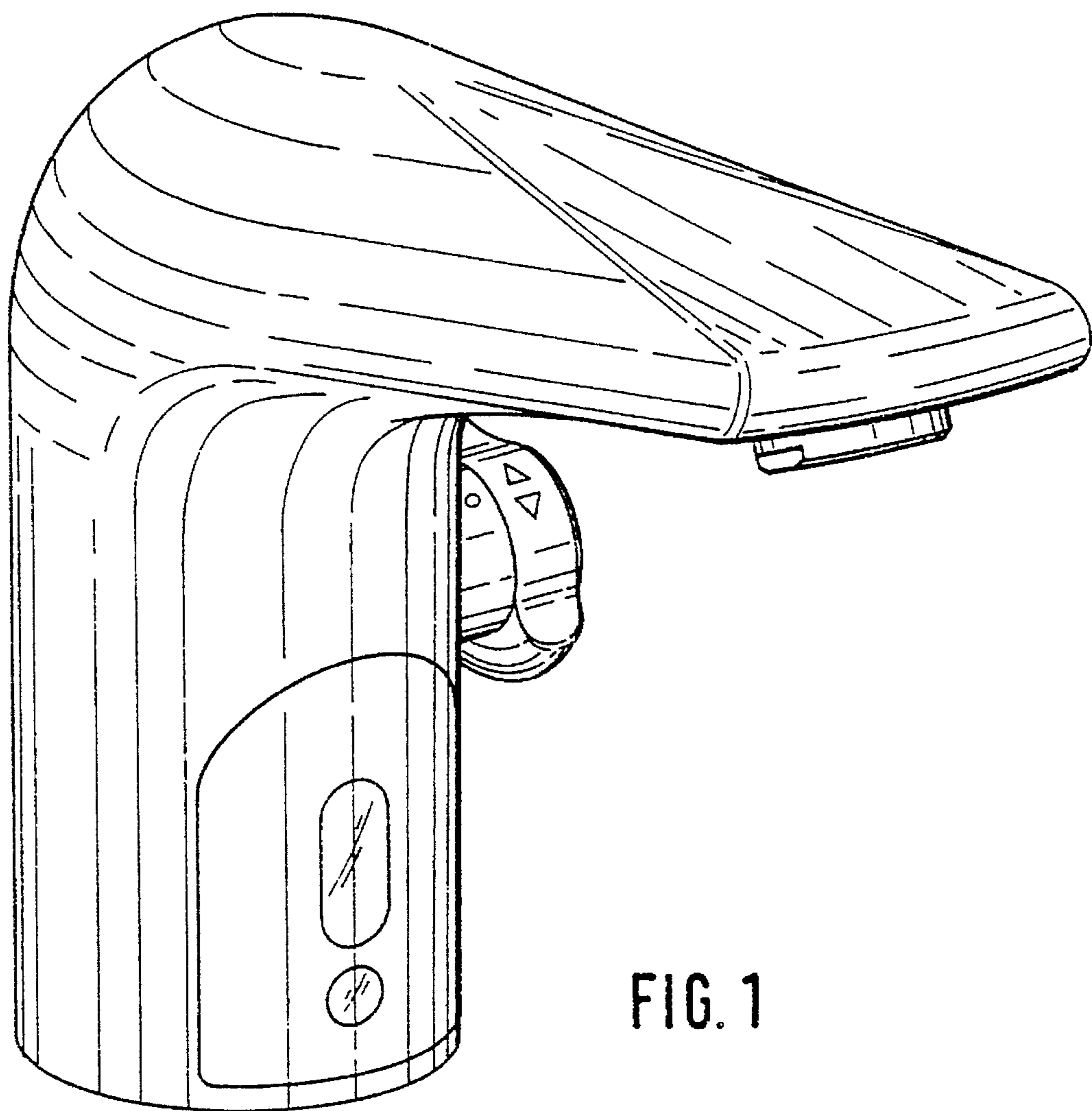


FIG. 1

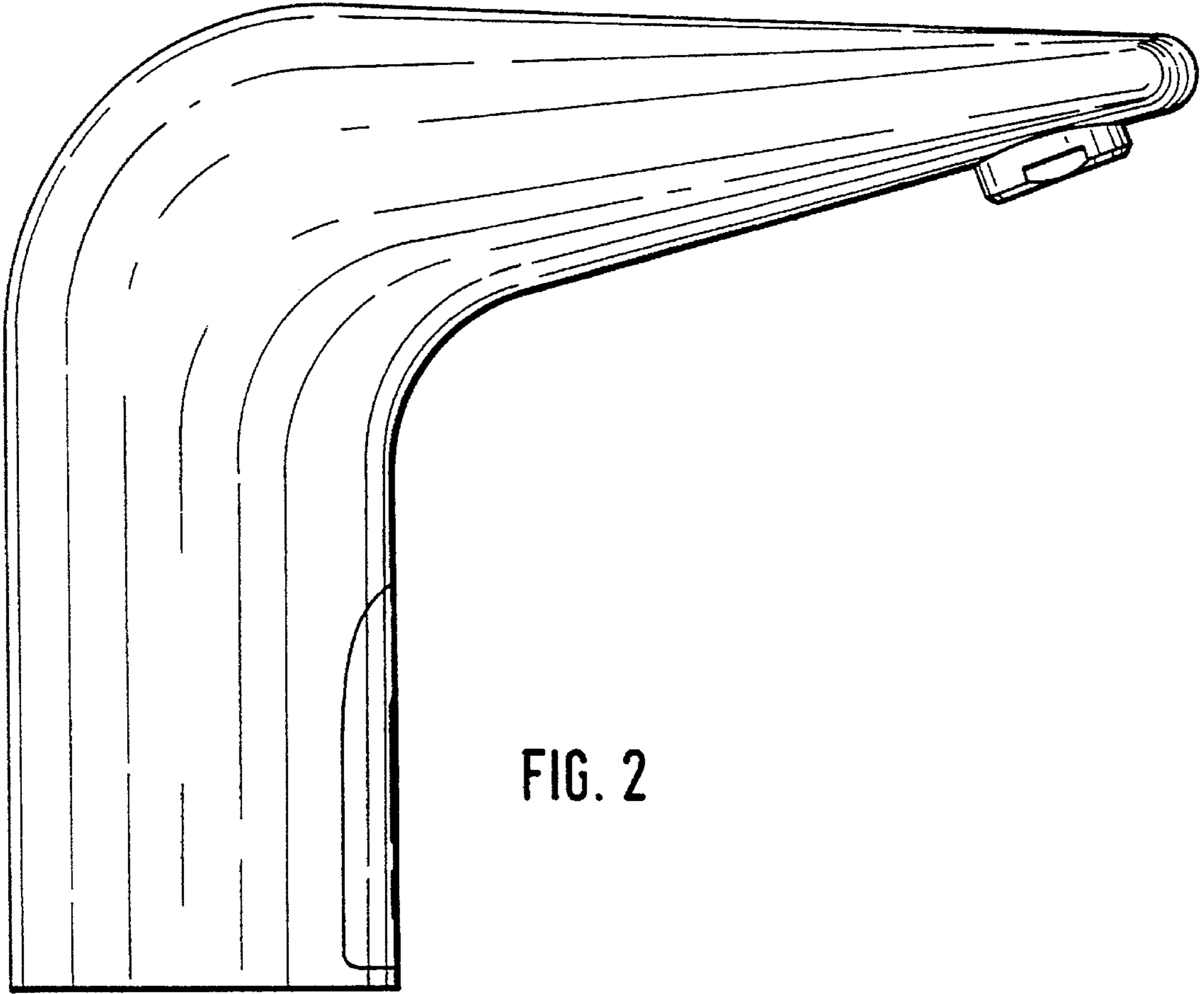
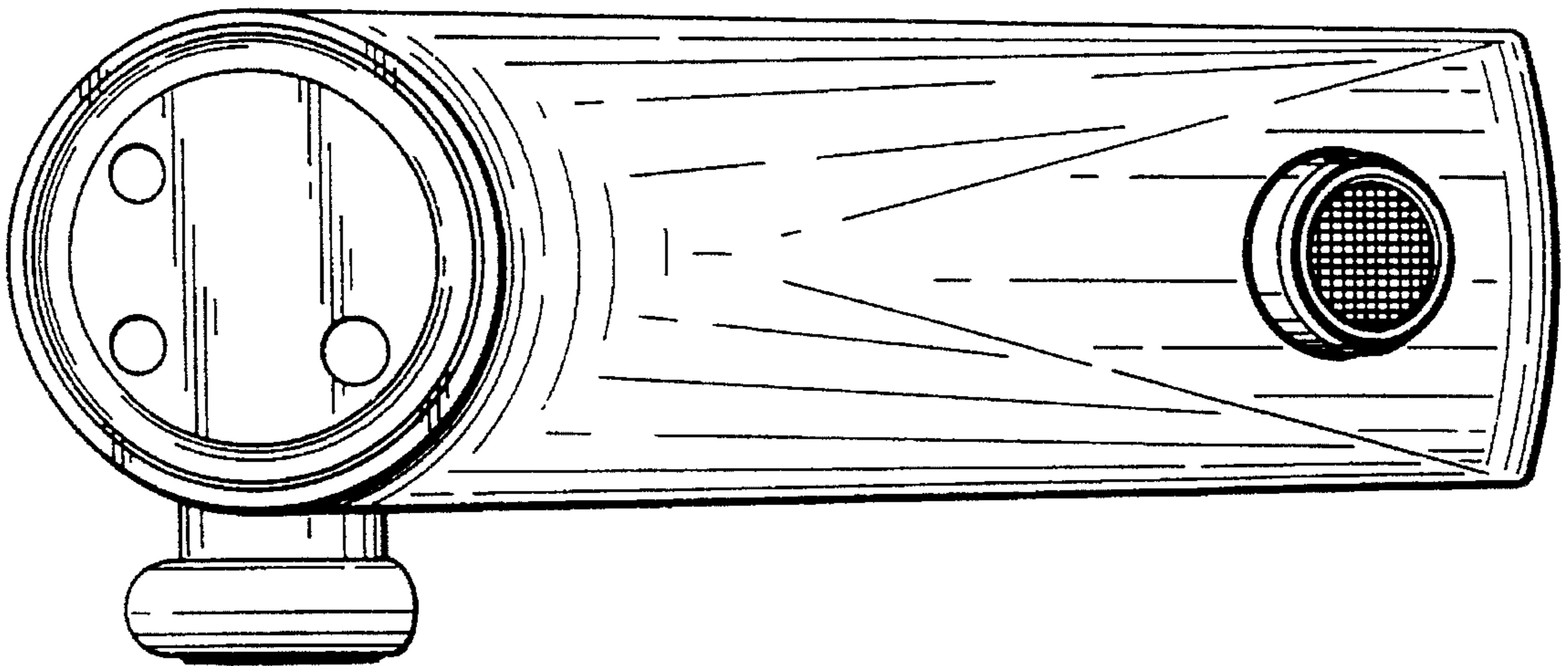


FIG. 2

FIG. 3



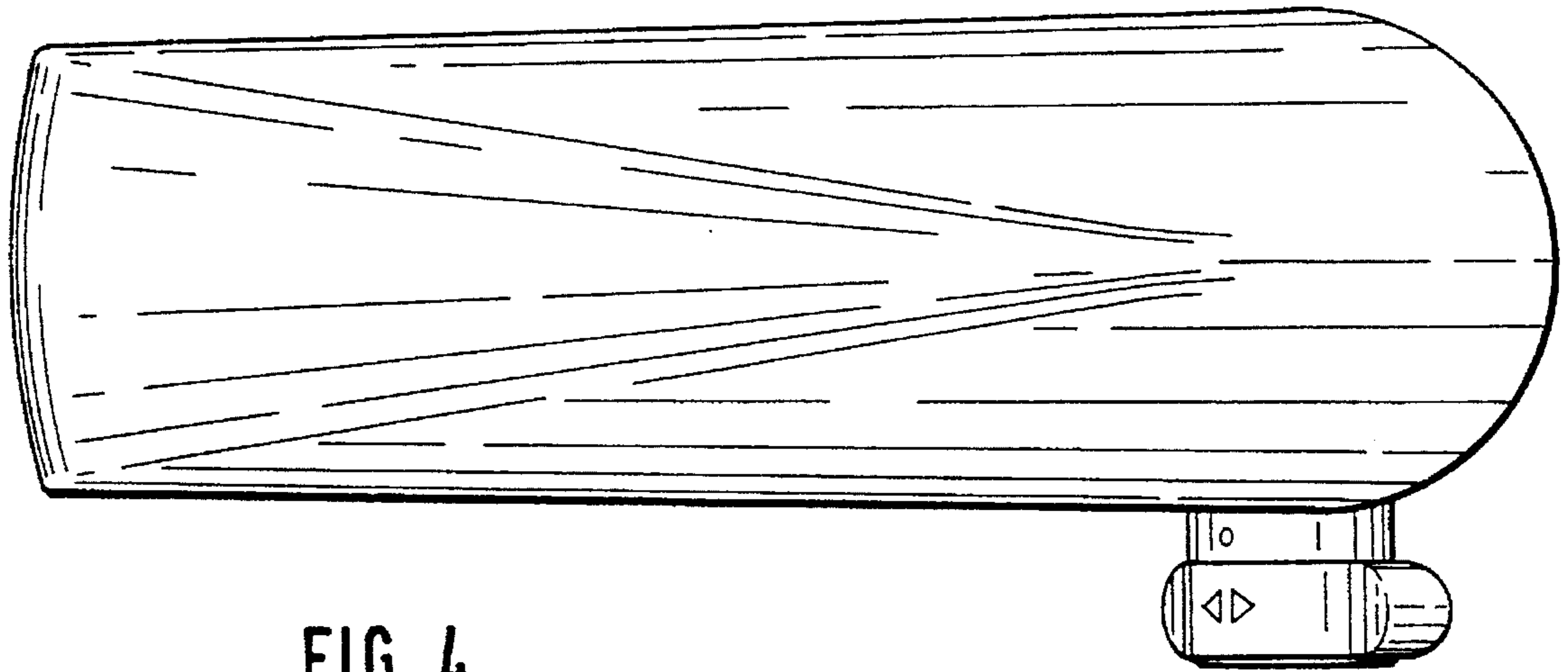


FIG. 4

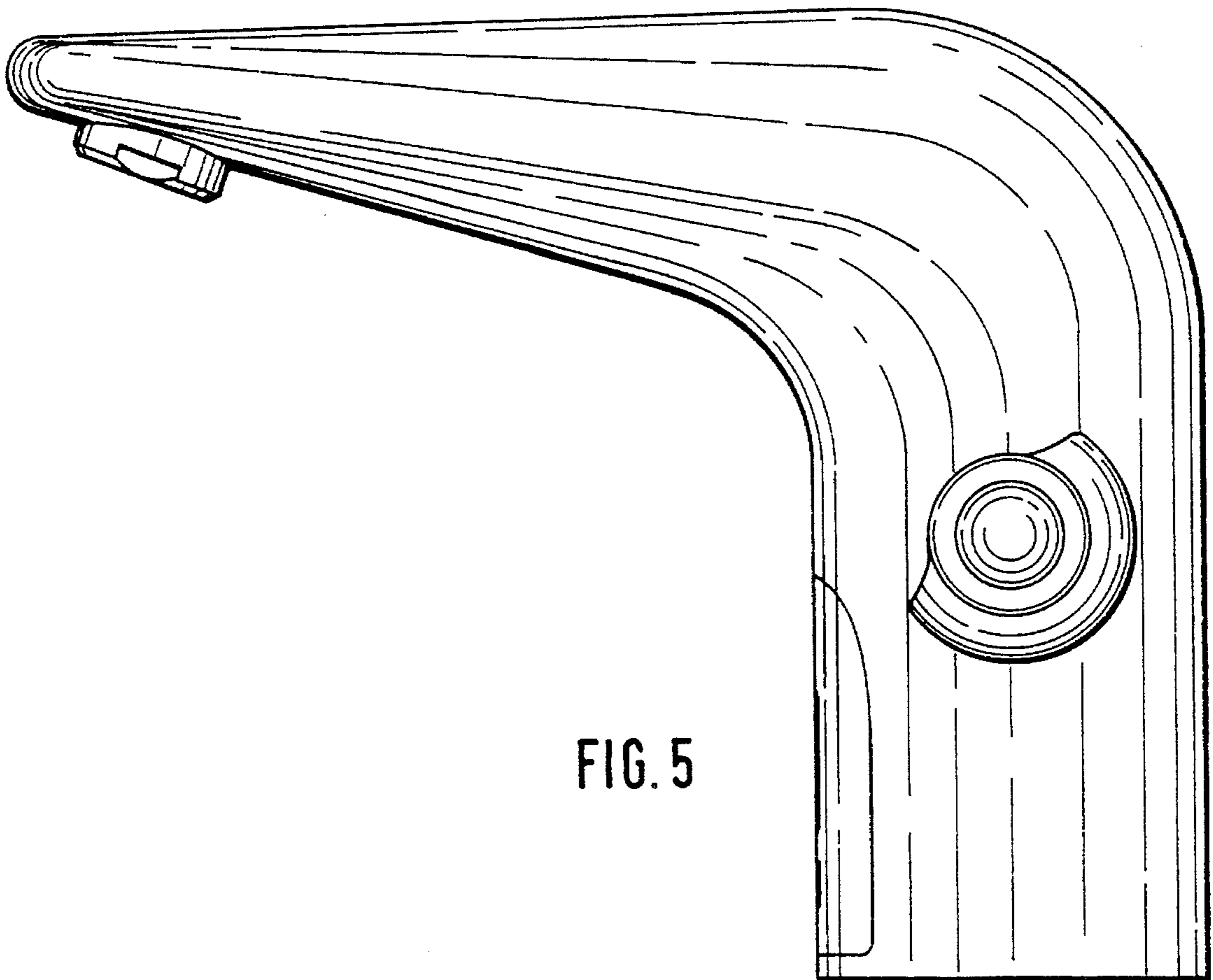


FIG. 5

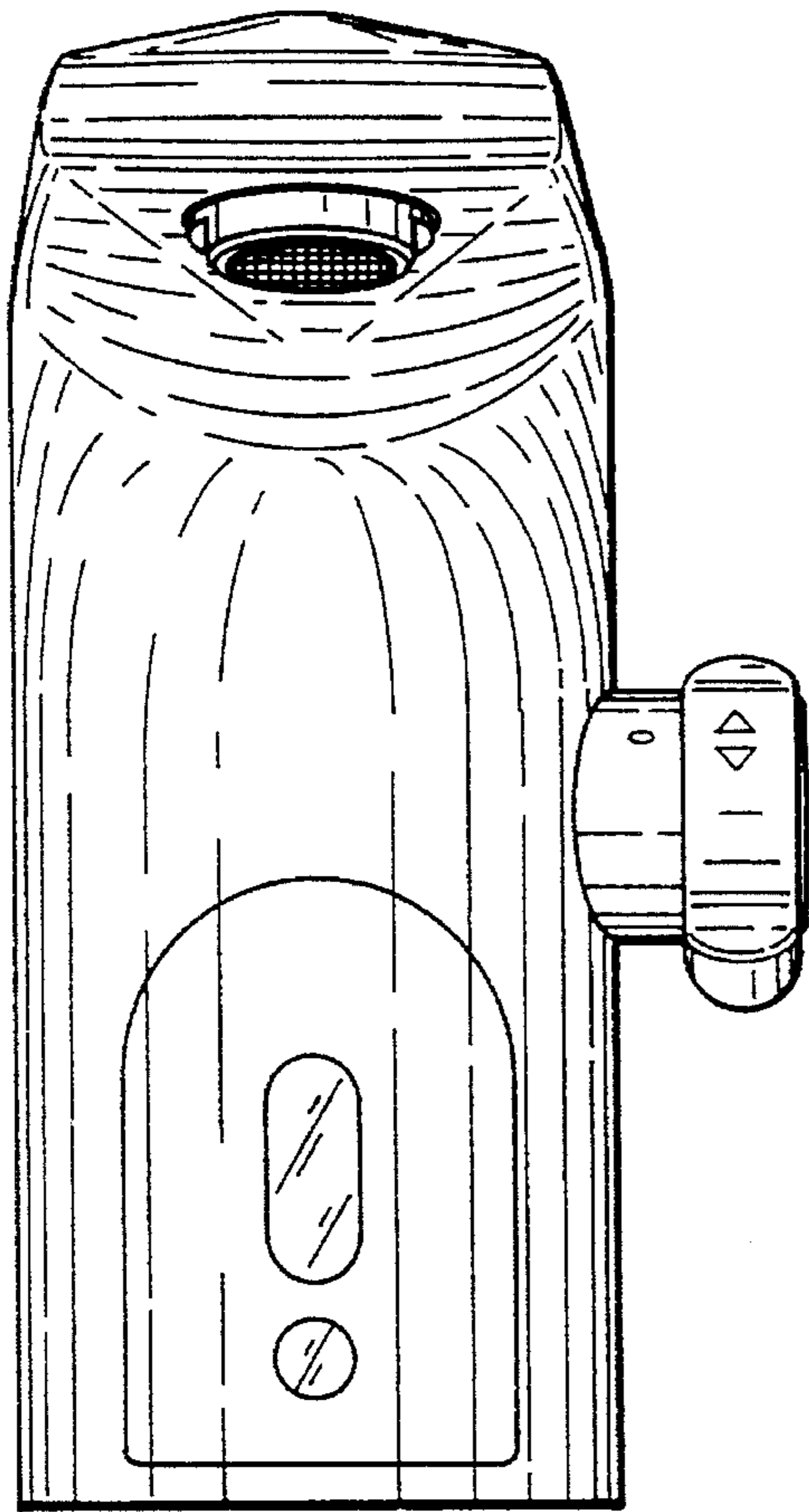


FIG. 6

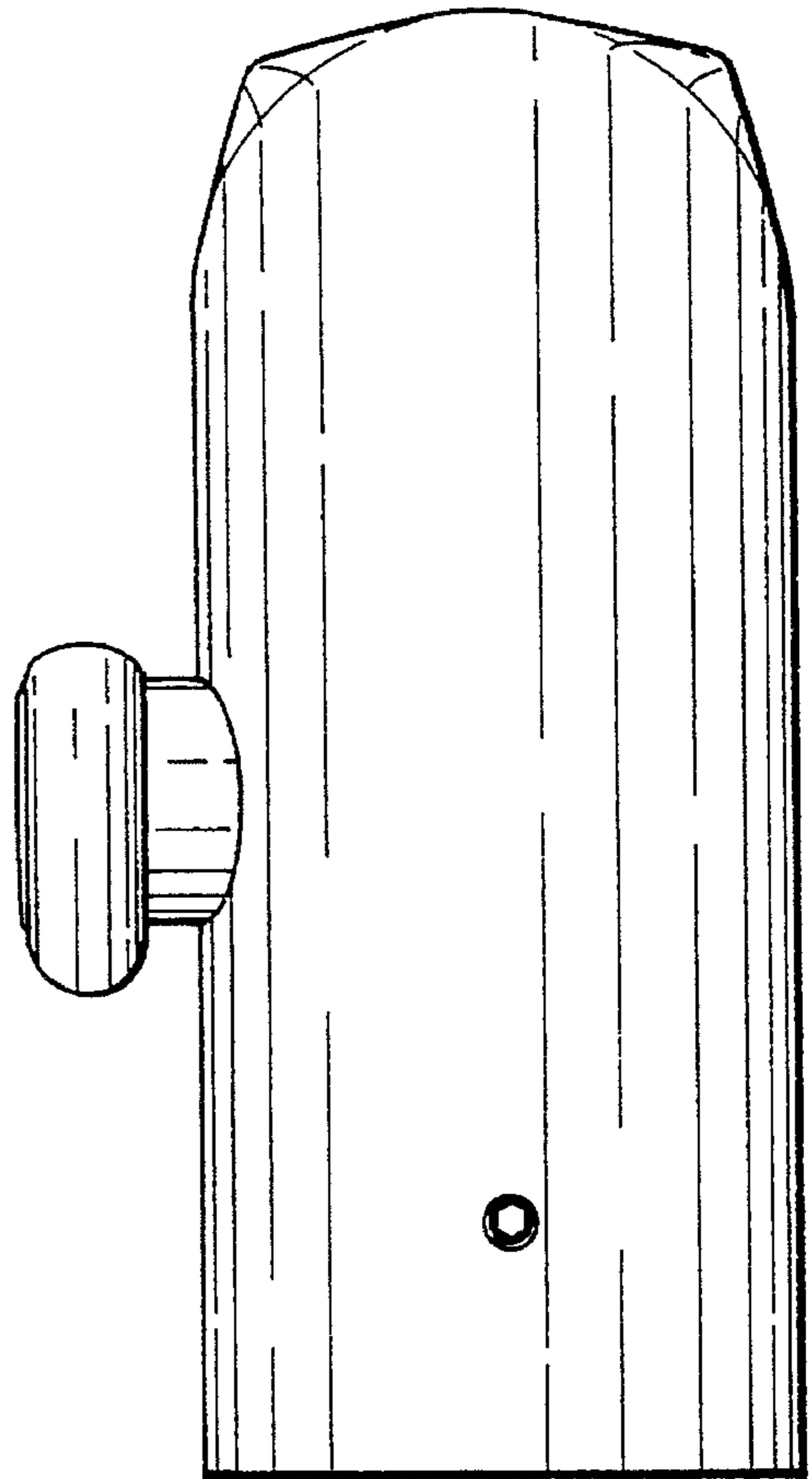


FIG. 7