



US00D368302S

**United States Patent** [19]

[11] **Patent Number: Des. 368,302**

**Doughty et al.**

[45] **Date of Patent: \*\*Mar. 26, 1996**

[54] **FAUCET**

D. 352,095 11/1994 Bollenbacher .

[75] Inventors: **Frederic C. Doughty**, S. Pasadena;  
**Darren M. Mark**, Castaic, both of Calif.

*Primary Examiner*—Stella Reid  
*Assistant Examiner*—Eric Watterson  
*Attorney, Agent, or Firm*—J. Bruce Hoofnagle

[73] Assignee: **Embart Inc.**, Newark, Del.

[57] **CLAIM**

[\*\*] Term: **14 Years**

The ornamental design for faucet, as shown and described.

[21] Appl. No.: **33,981**

**DESCRIPTION**

[22] Filed: **Jan. 25, 1995**

[52] U.S. Cl. .... **D23/241**

[58] **Field of Search** ..... D23/238-243,  
D23/250-258; 4/675, 676, 677, 678; 137/801

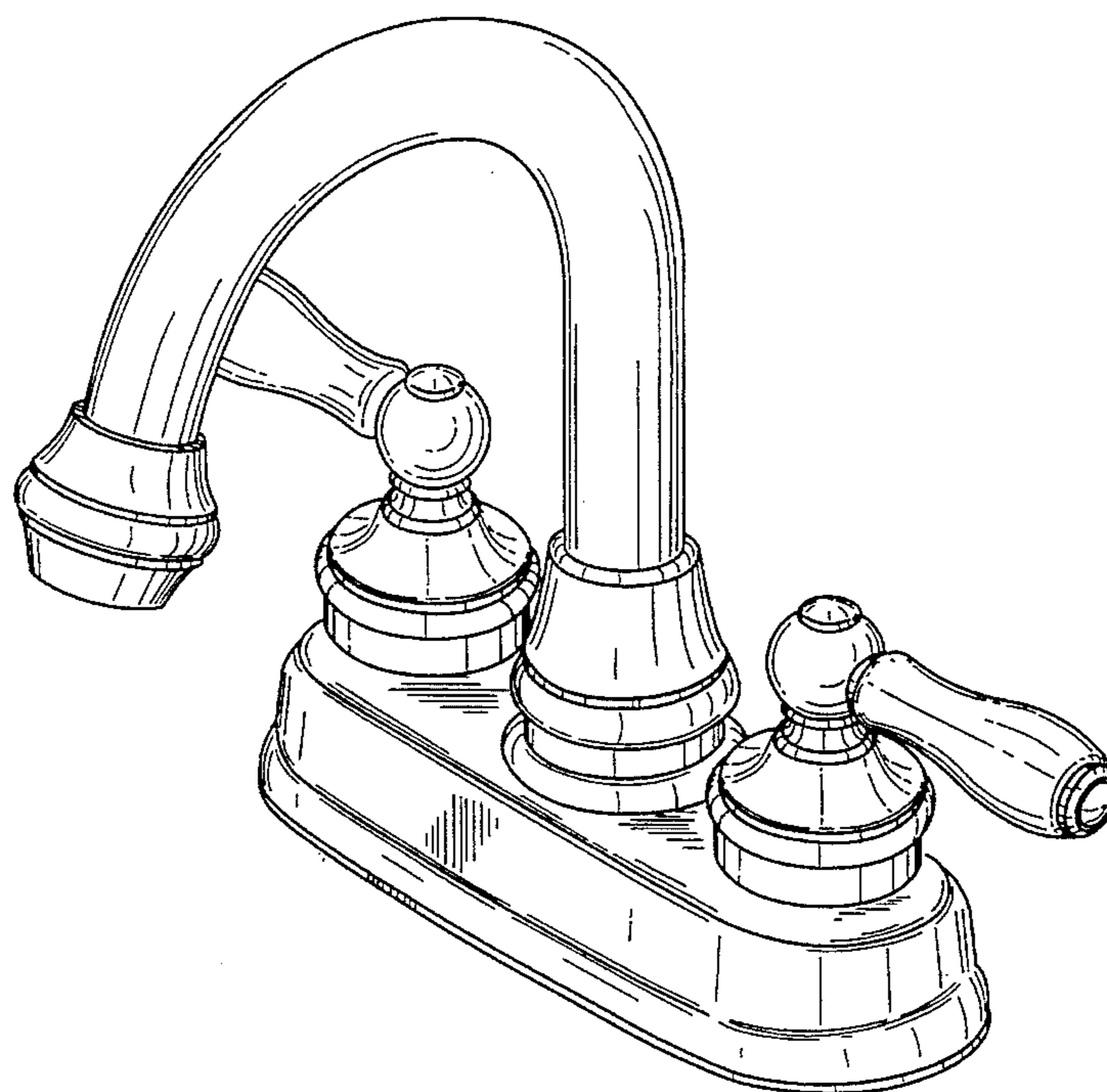
[56] **References Cited**

**U.S. PATENT DOCUMENTS**

- D. 143,695 1/1946 Zinkil .
- D. 182,867 5/1958 Young .
- D. 207,044 2/1967 Hurwitz .
- D. 276,259 11/1984 Miller .
- D. 280,008 8/1985 Miller et al. .
- D. 287,747 1/1987 Miller et al. .
- D. 288,835 3/1987 Yost .
- D. 288,836 3/1987 Yost ..... D23/241
- D. 293,362 12/1987 Hill et al. .
- D. 295,550 5/1988 Yost .
- D. 295,551 5/1988 Yost .
- D. 312,495 11/1990 Joerger ..... D23/242
- D. 318,714 7/1991 Spangler .
- D. 318,906 8/1991 Spangler .
- D. 321,750 11/1991 Spangler .
- D. 323,375 1/1992 Razumov ..... D23/242
- D. 325,772 4/1992 Carr .
- D. 327,944 7/1992 Stairs et al. .
- D. 328,782 8/1992 Paterson .
- D. 350,390 9/1994 Bollenbacher .

FIG. 1 is a front view of a first embodiment of our new design of a faucet;  
 FIG. 2 is a rear view of the first embodiment of our new design of the faucet;  
 FIG. 3 is a top view of the first embodiment of our new design of the faucet;  
 FIG. 4 is a bottom view of the first embodiment of our new design of the faucet;  
 FIG. 5 is a left side view of the first embodiment of our new design of the faucet, a right side view thereof being a mirror image of the left side view;  
 FIG. 6 is a perspective view of the first embodiment of our new design of the faucet;  
 FIG. 7 is a front view of a second embodiment of our new design of the faucet;  
 FIG. 8 is a rear view of the second embodiment of our new design of the faucet;  
 FIG. 9 is a top view of the second embodiment of our new design of the faucet;  
 FIG. 10 is a bottom view of the second embodiment of our new design of the faucet;  
 FIG. 11 is a left side view of the second embodiment of our new design of the faucet, a right side view thereof being a mirror image of the left side view; and,  
 FIG. 12 is a perspective view of the second embodiment of our new design of the faucet.

**1 Claim, 12 Drawing Sheets**



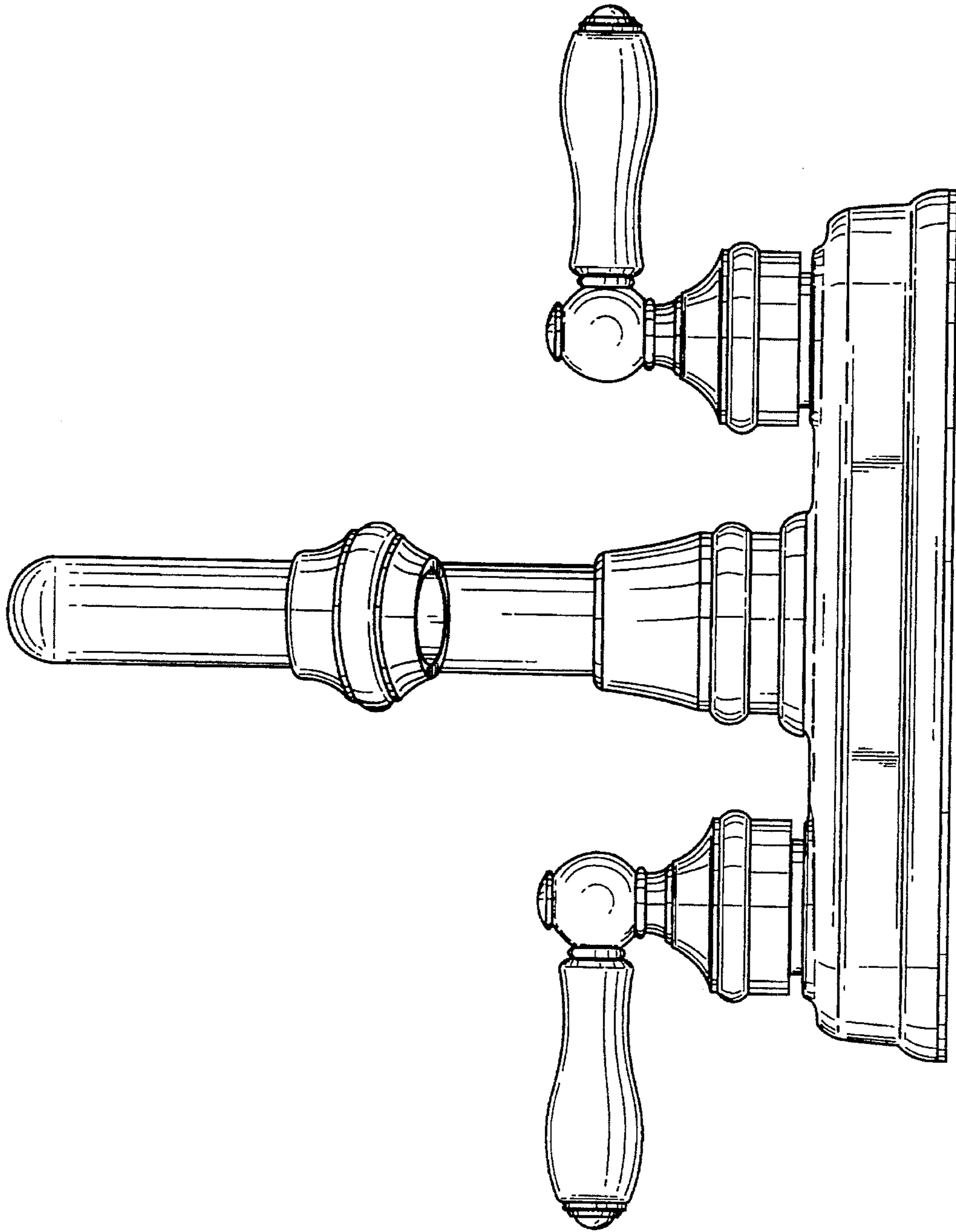


Fig. 1

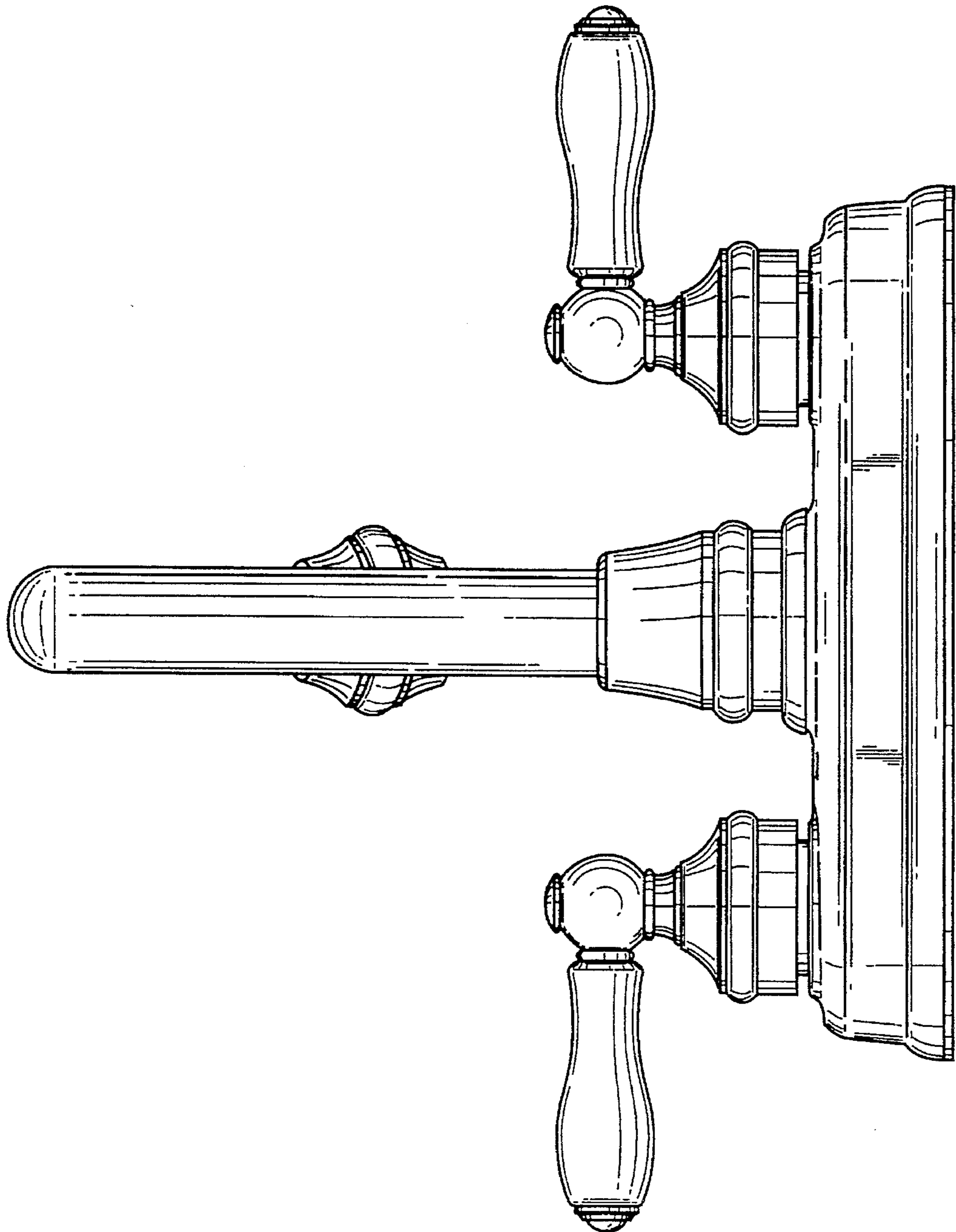


Fig. 2

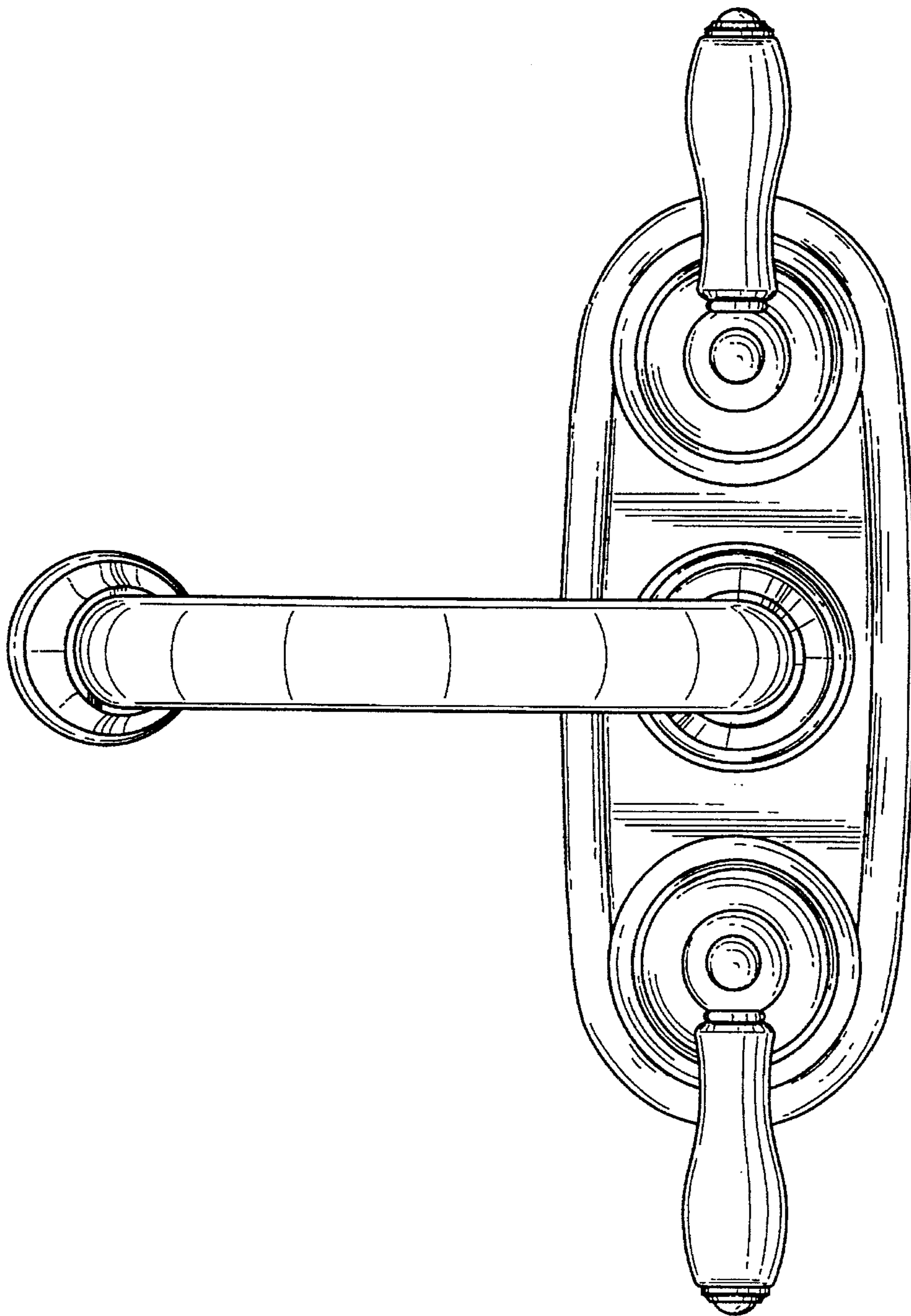


Fig. 3



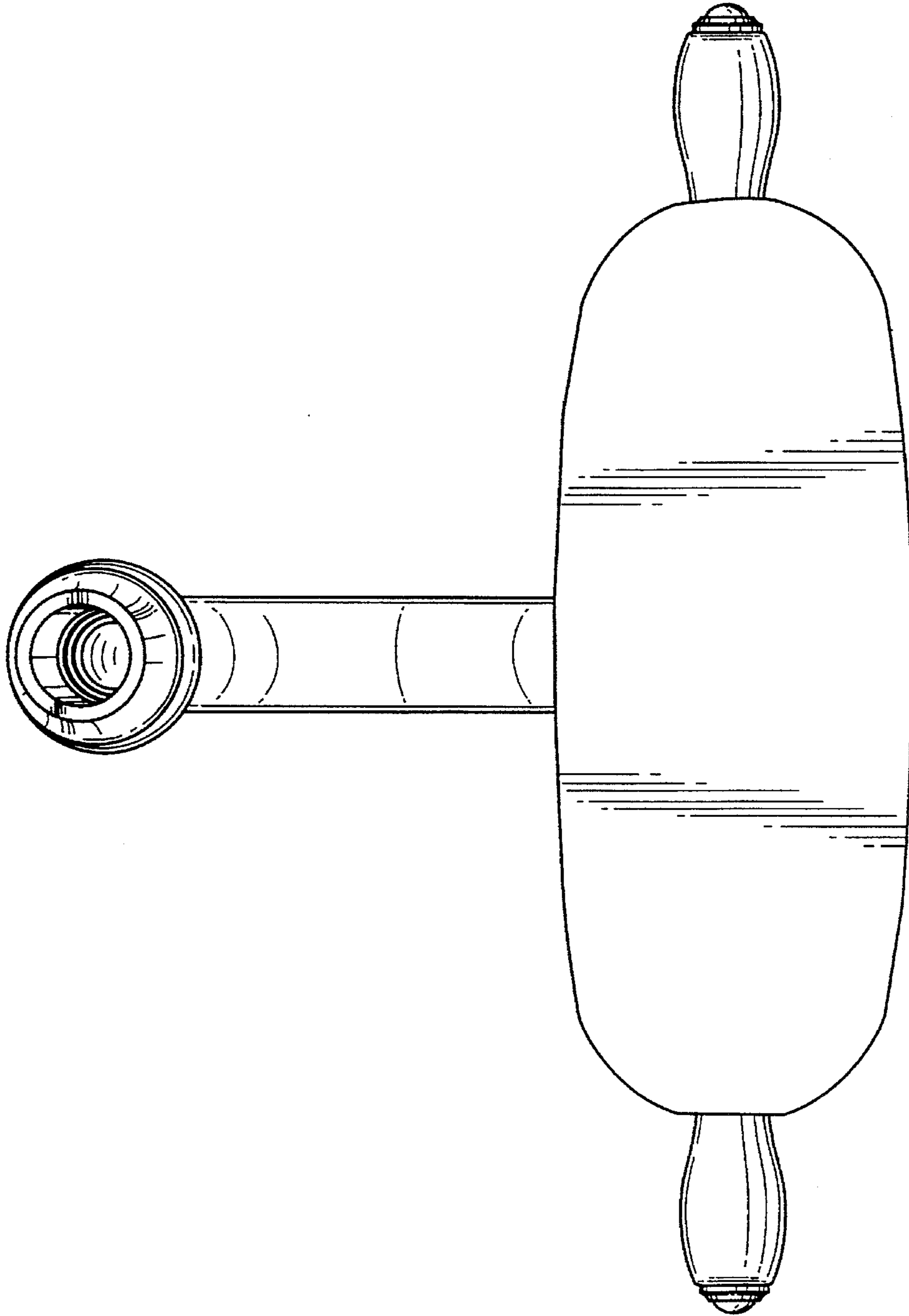


Fig. 4

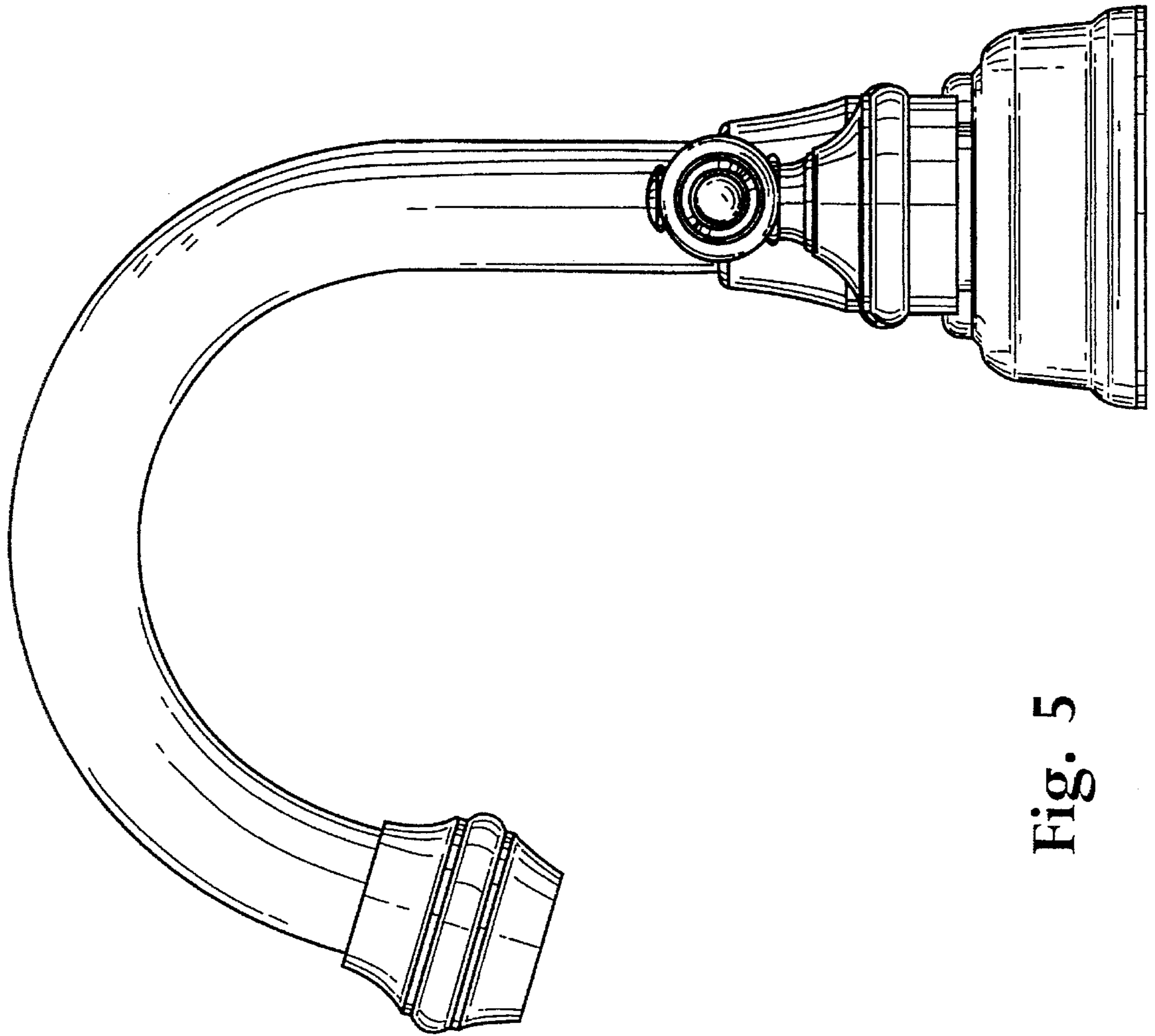


Fig. 5

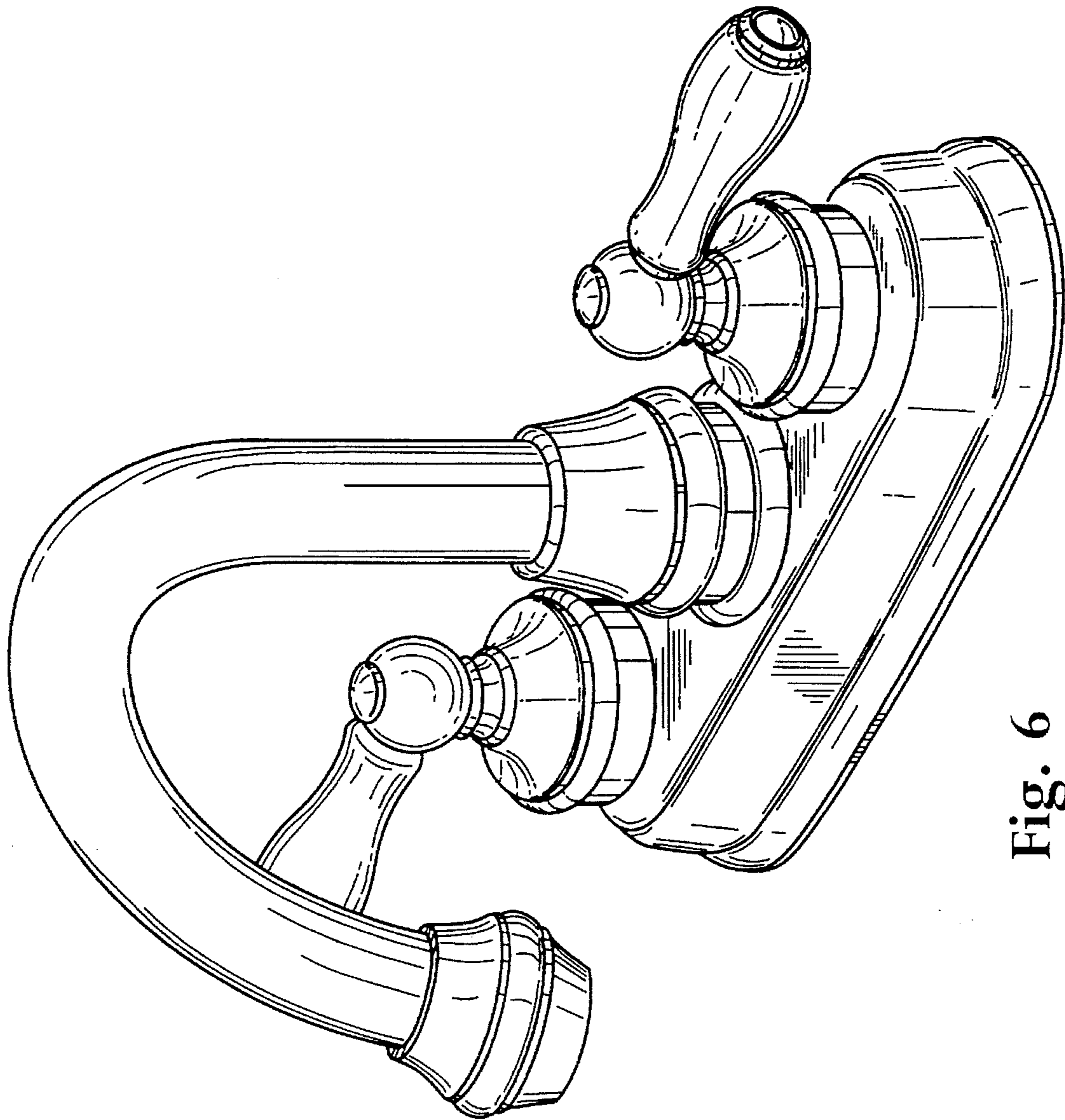


Fig. 6

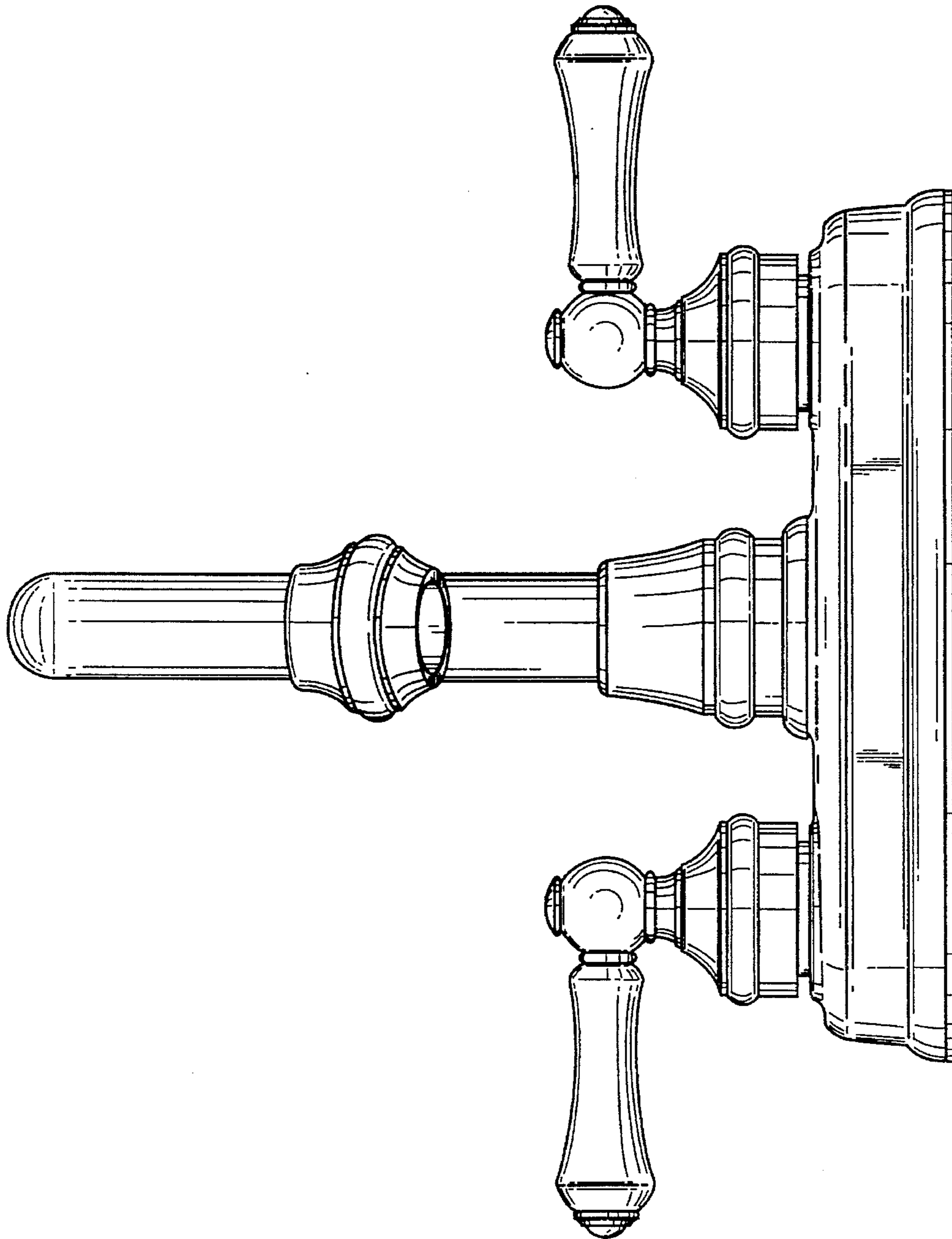


Fig. 7



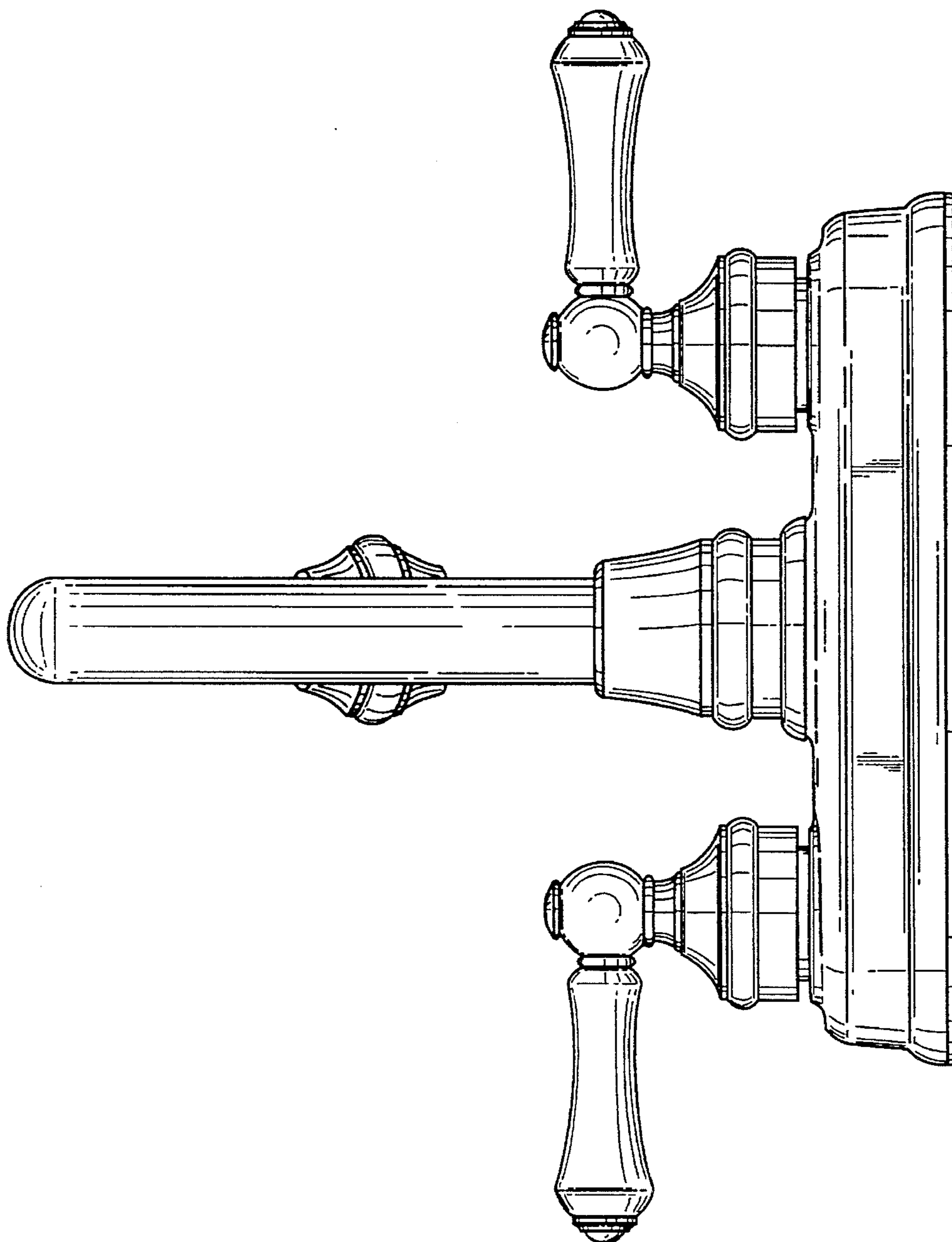


Fig. 8

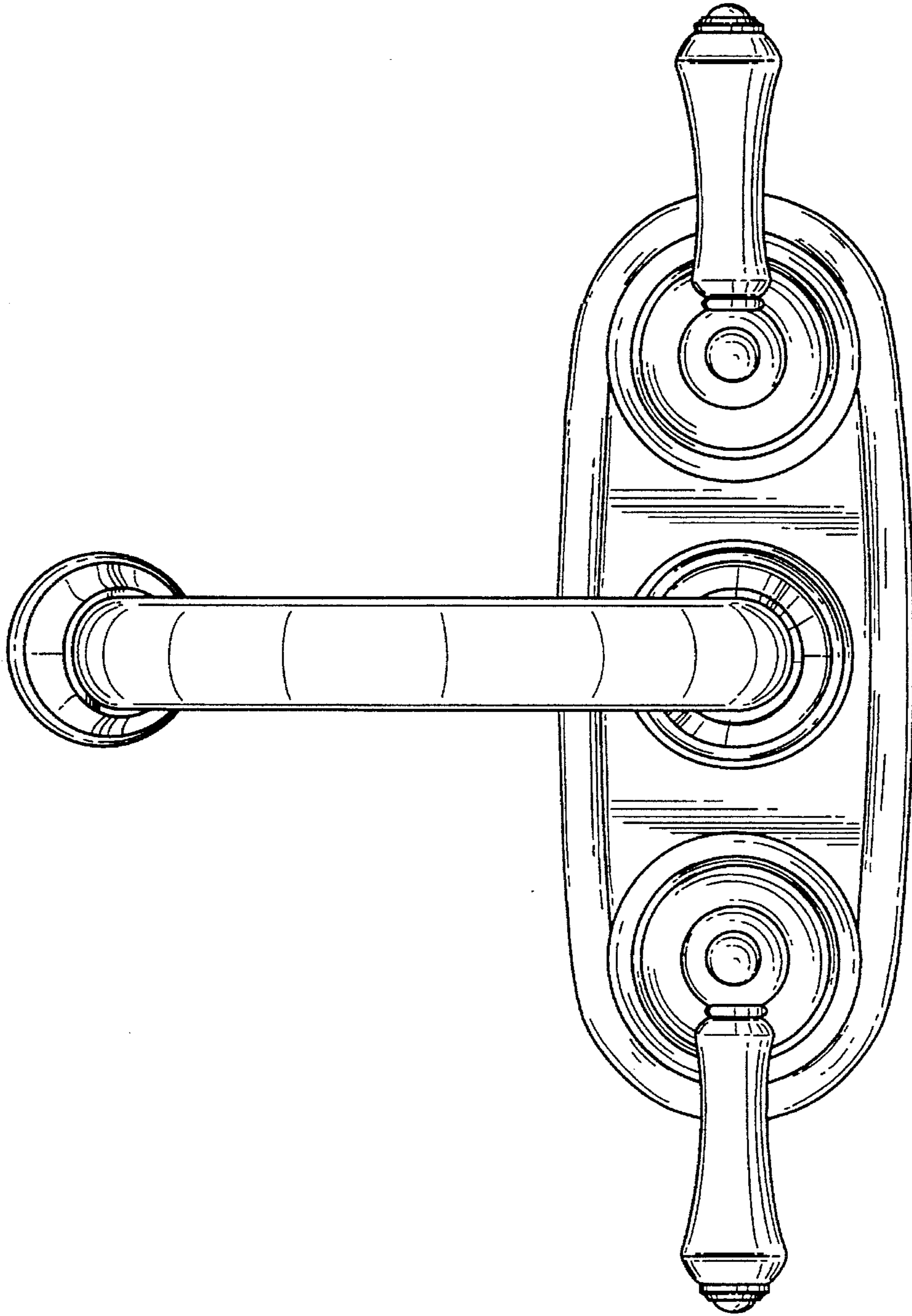


Fig. 9

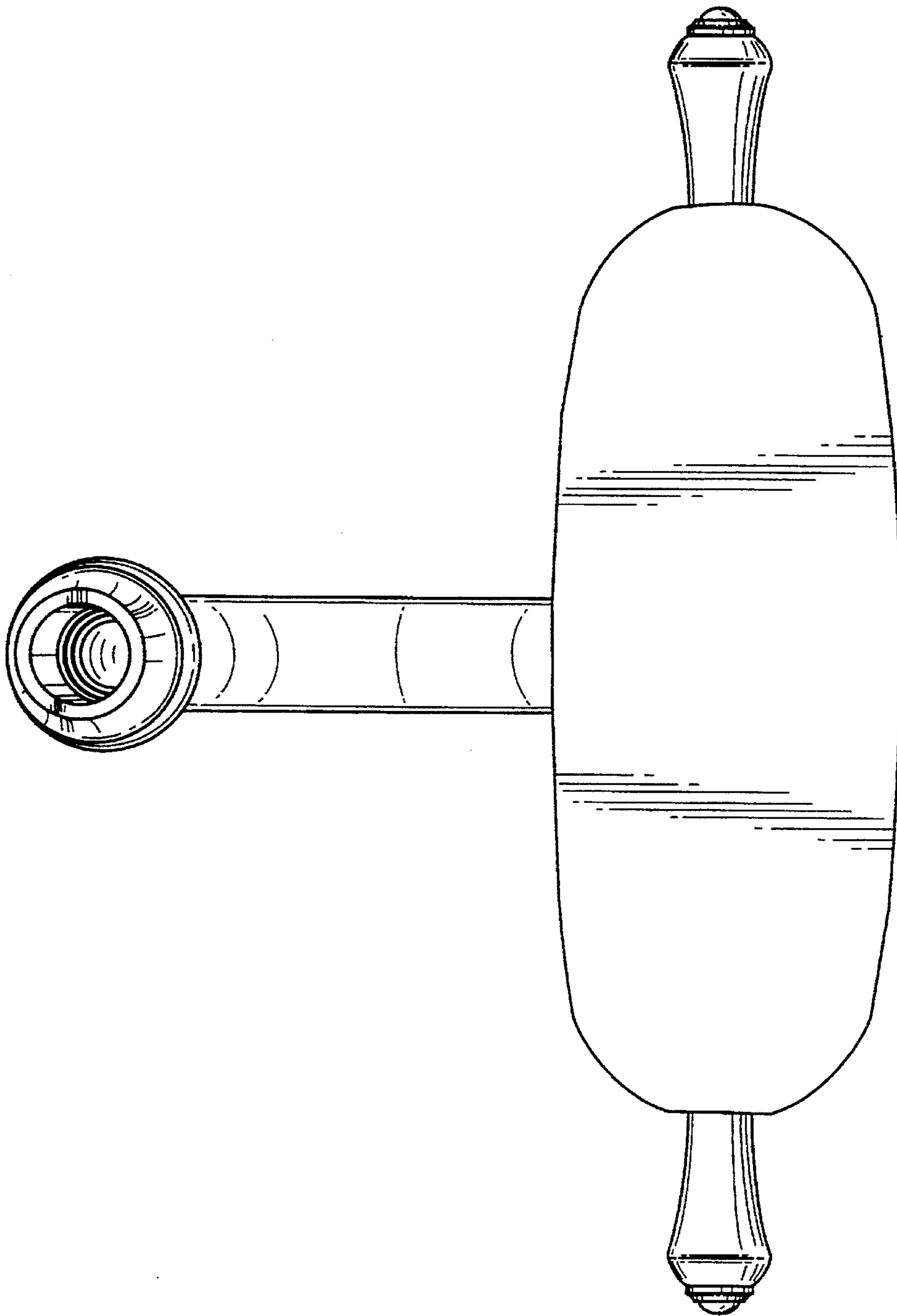


Fig. 10

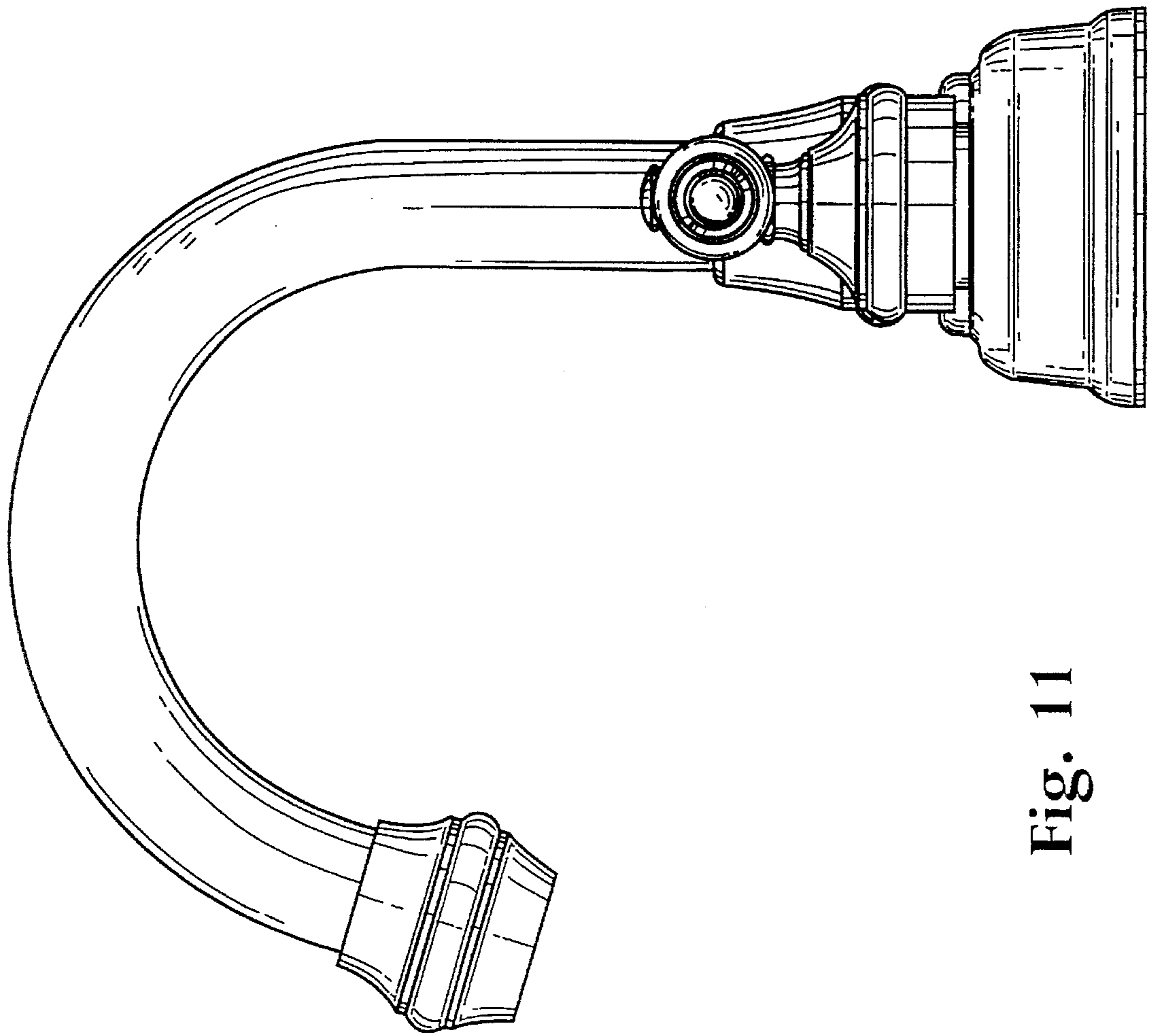


Fig. 11



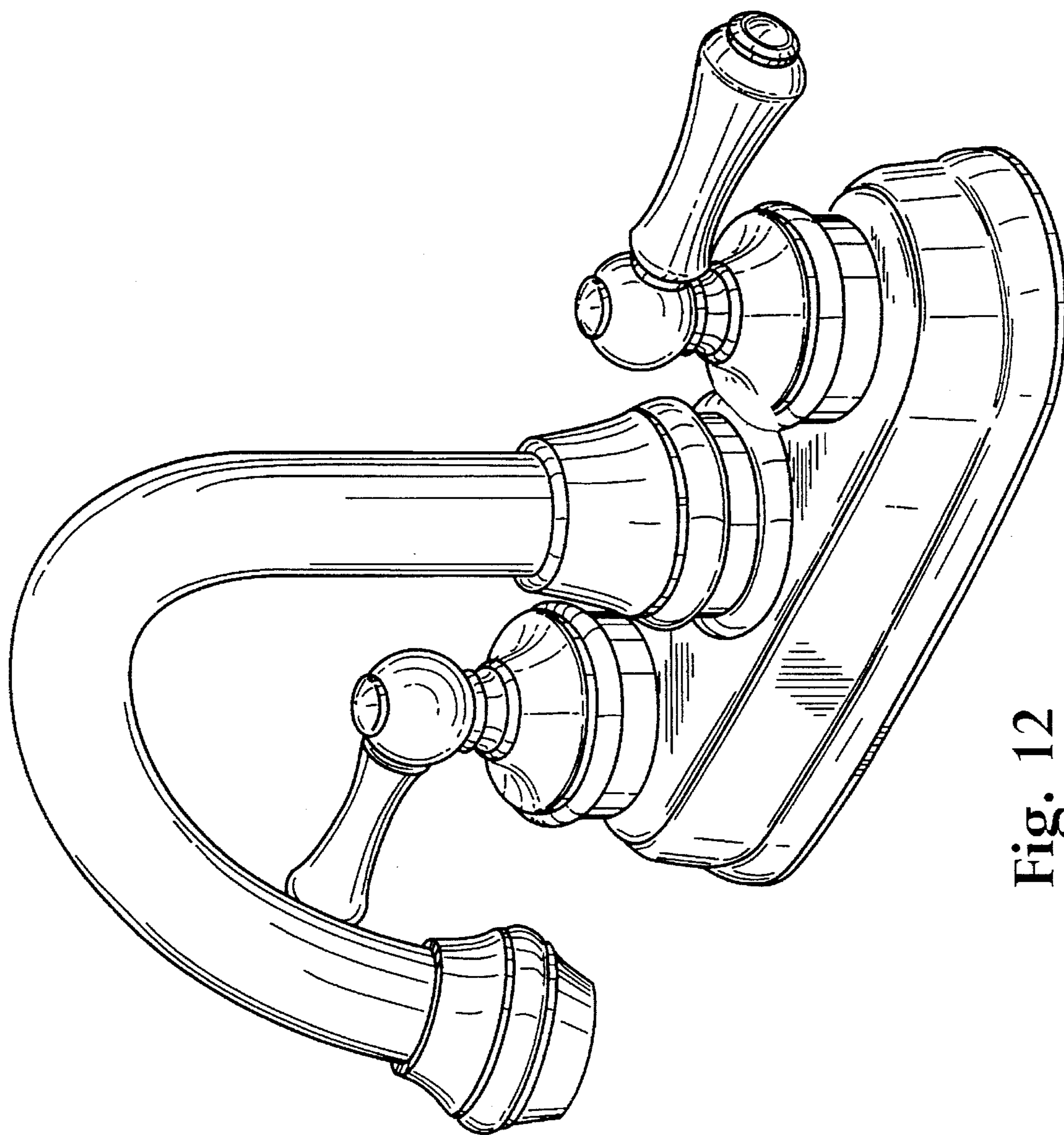


Fig. 12