



US00D368301S

United States Patent [19] Lobermeier

[11] Patent Number: **Des. 368,301**

[45] Date of Patent: ****Mar. 26, 1996**

[54] FAUCET

[75] Inventor: **Hans Lobermeier**, Menden, Germany

[73] Assignee: **Friedrich Grohe Aktiengesellschaft**,
Hemer, Germany

[**] Term: **14 Years**

[21] Appl. No.: **37,228**

[22] Filed: **Apr. 7, 1995**

[30] **Foreign Application Priority Data**

Oct. 31, 1994 [DE] Germany 94 08 507.2

[52] U.S. Cl. **D23/238**

[58] Field of Search D23/238-243,
D23/250-258; 4/675-678; 137/801

[56] **References Cited**

U.S. PATENT DOCUMENTS

D. 253,607 12/1979 Haug D23/238
D. 324,095 2/1992 Grohe D23/238

D. 324,904 3/1992 Haug et al. D23/238
D. 330,070 10/1992 Chretien D23/238
D. 351,017 9/1994 Gottwald D23/238
D. 353,650 12/1994 Haug et al. D23/238

Primary Examiner—Stella Reid
Assistant Examiner—E. Watterson
Attorney, Agent, or Firm—Herbert Dubno

[57] **CLAIM**

The ornamental design for a faucet, as shown and described.

DESCRIPTION

FIG. 1 is a top, front, left-side perspective view of a faucet showing my new design;
FIG. 2 is a top plan view thereof;
FIG. 3 is a left side elevational view, the opposite side being a mirror image thereof;
FIG. 4 is a bottom view thereof;
FIG. 5 is a rear view thereof; and,
FIG. 6 is a front view thereof.

1 Claim, 3 Drawing Sheets

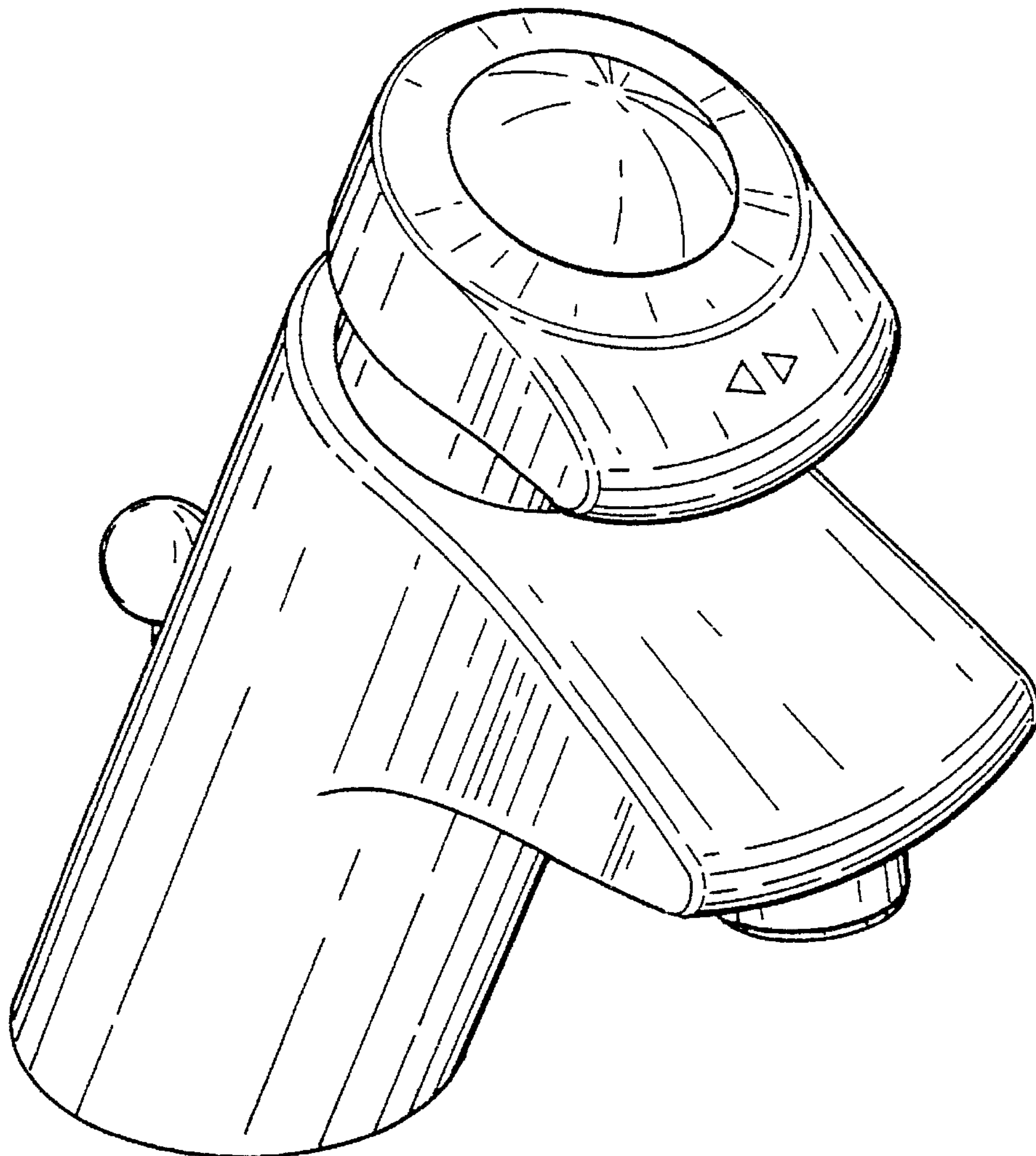


FIG. 1

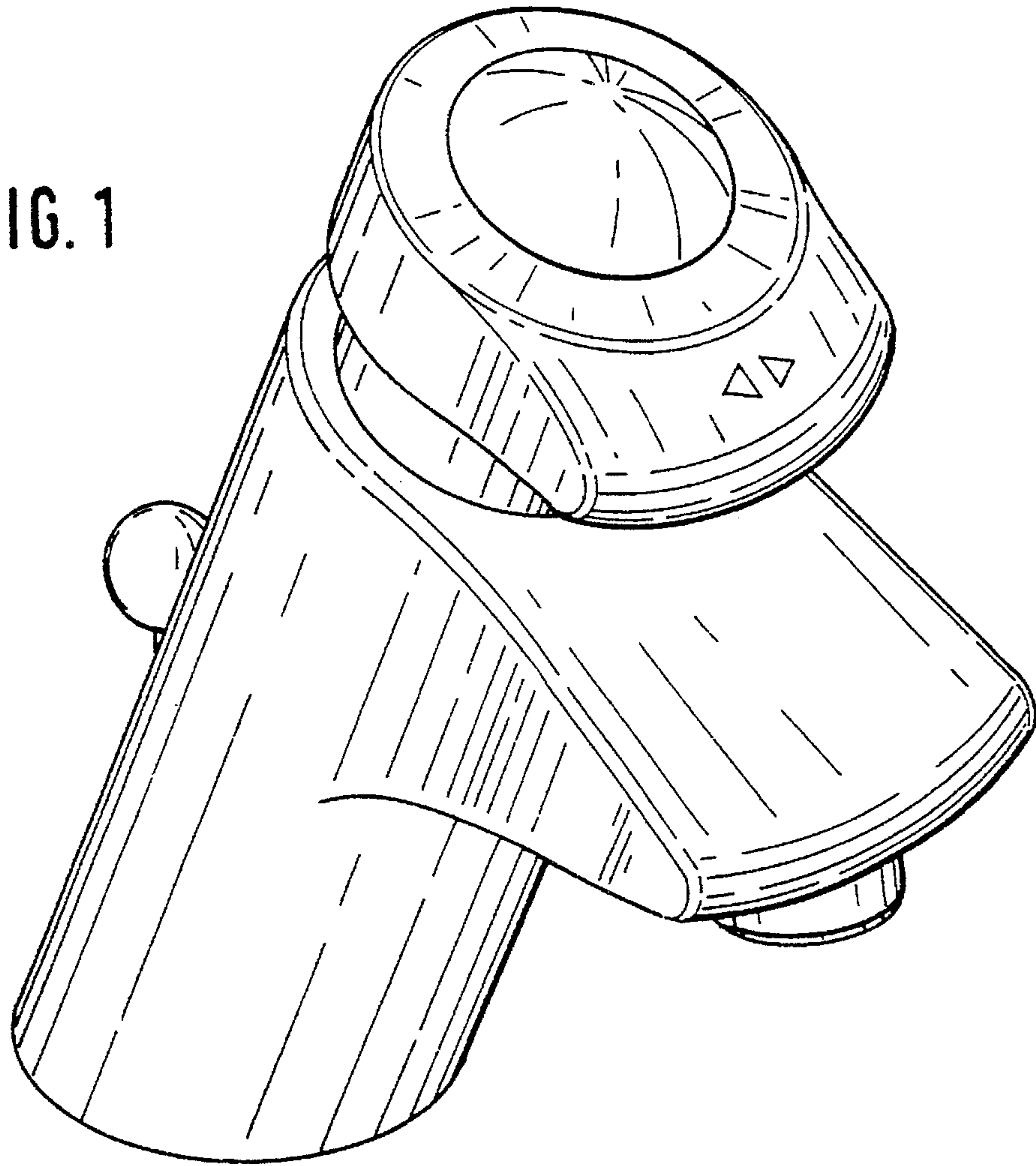
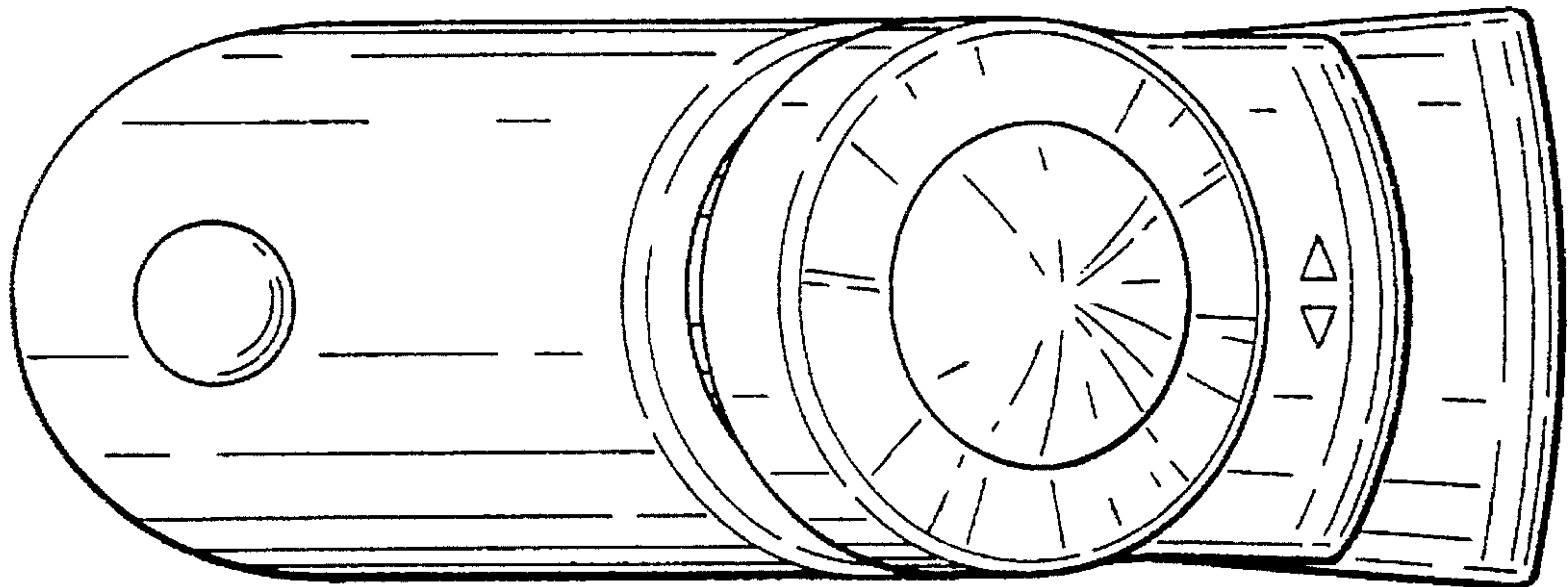


FIG. 2



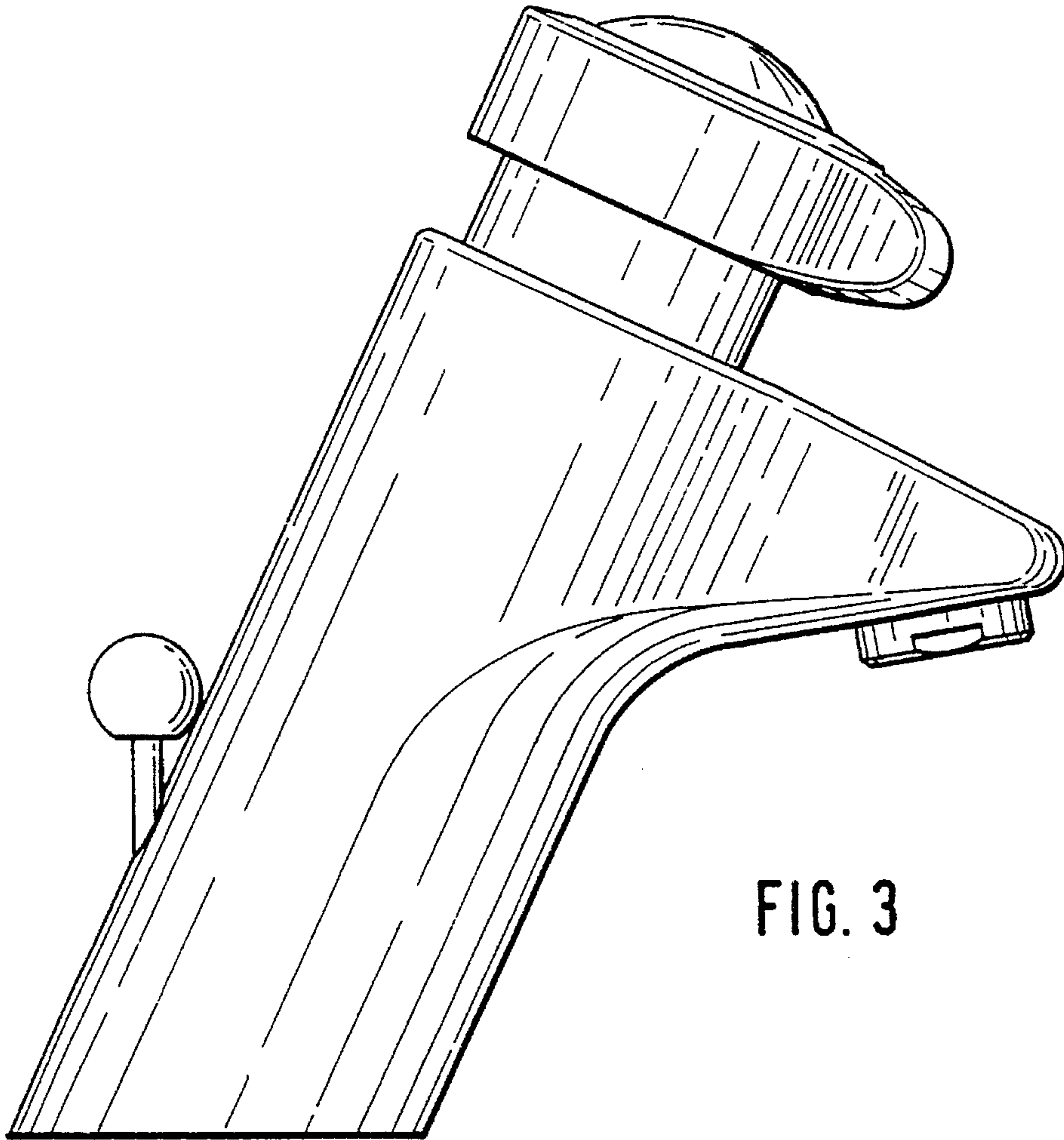
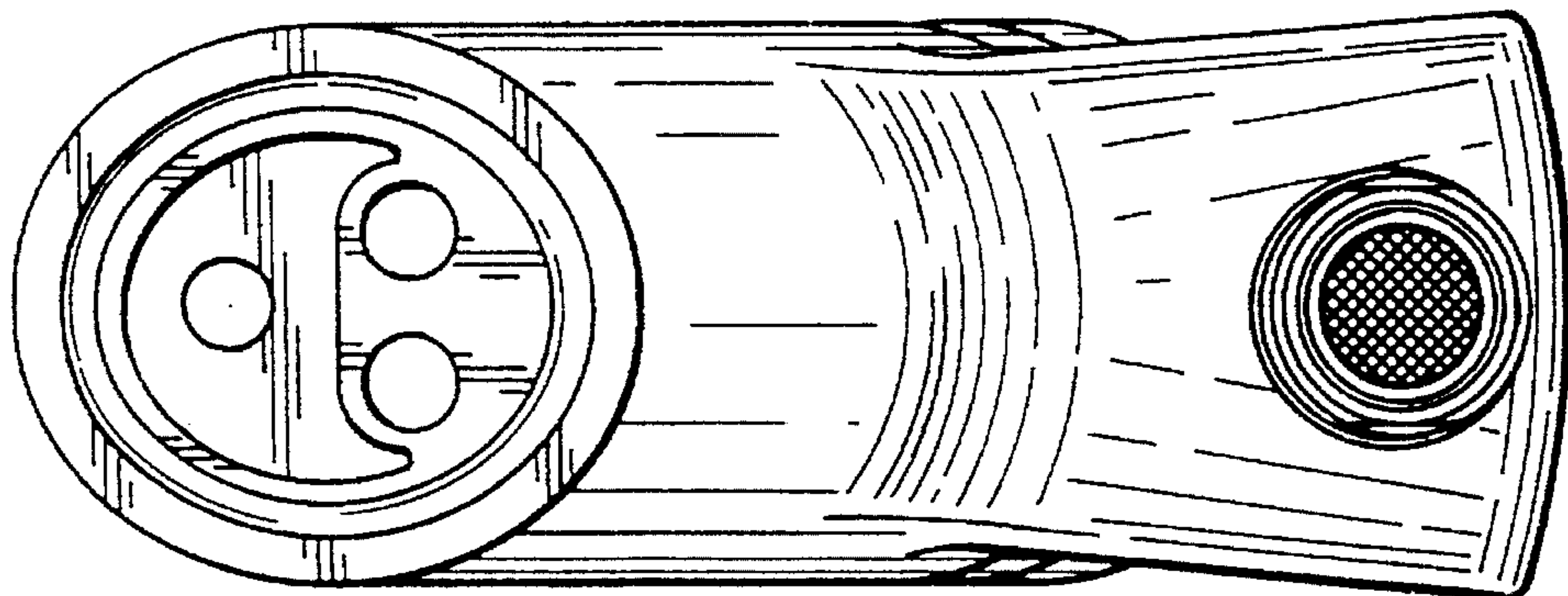


FIG. 3

FIG. 4



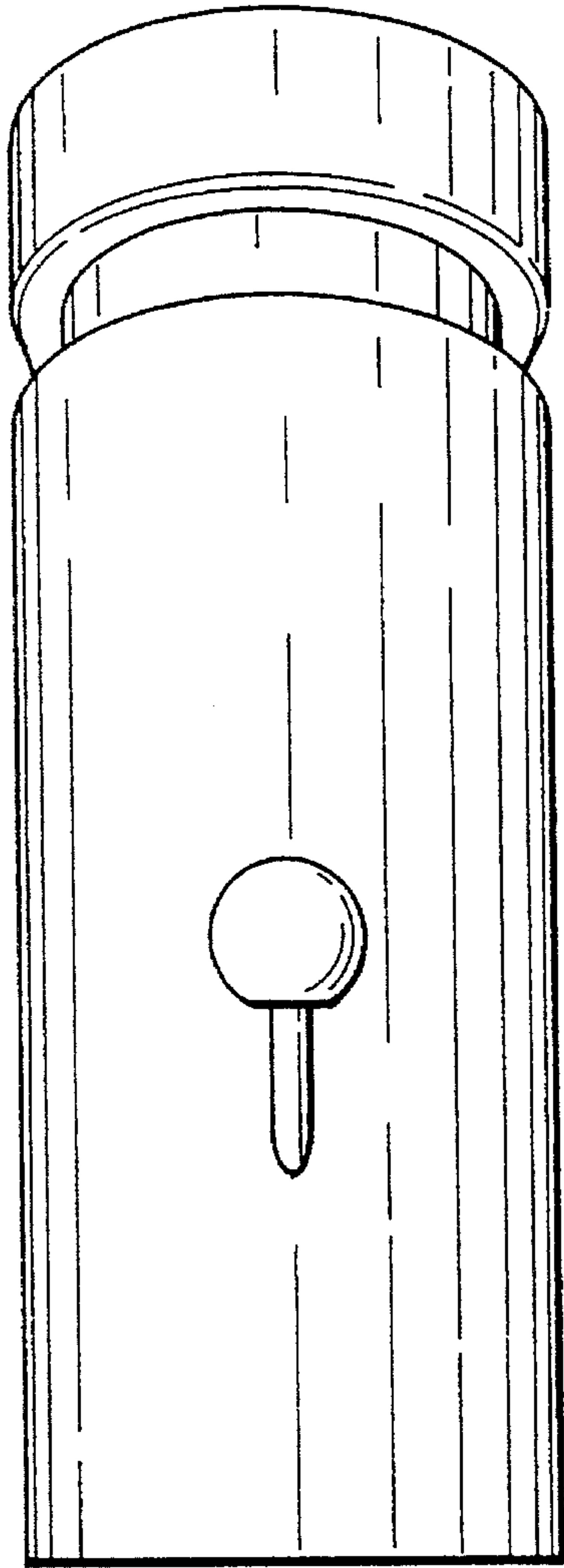


FIG. 5

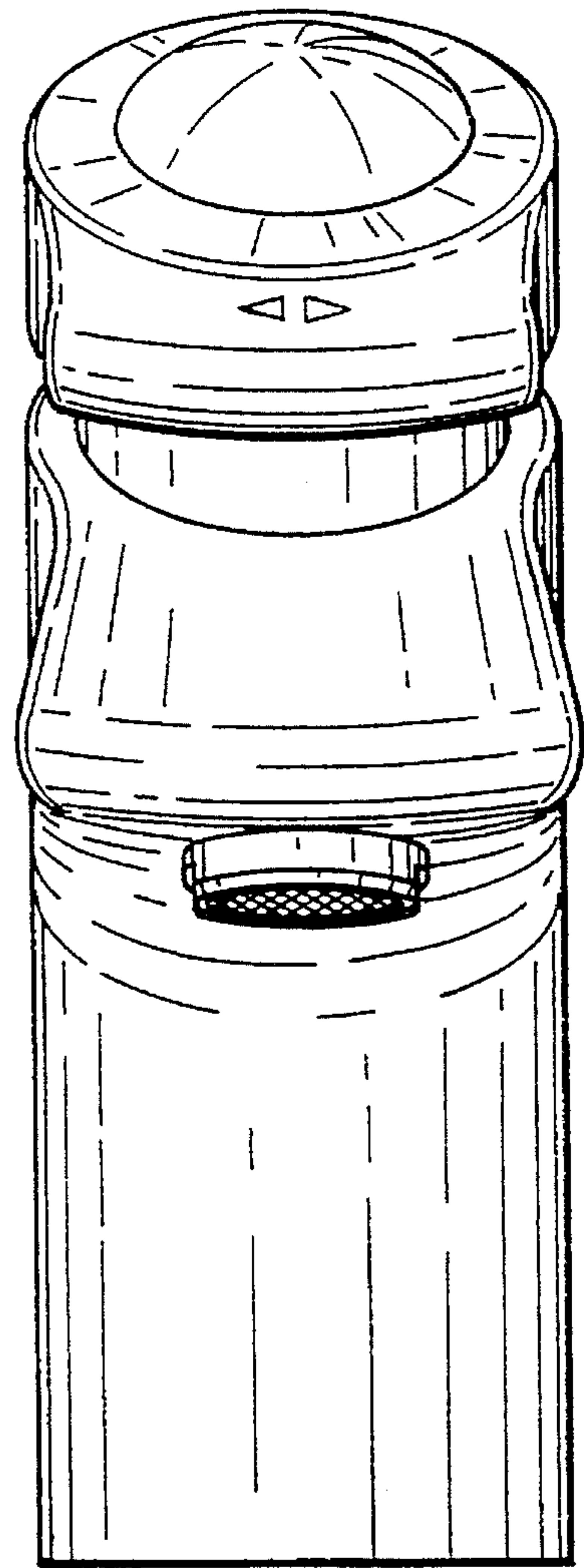


FIG. 6