



US00D368300S

United States Patent [19]

Grenga

[11] Patent Number: **Des. 368,300**

[45] Date of Patent: ****Mar. 26, 1996**

[54] **DISTRIBUTOR VALVE BODY**

[75] Inventor: **Stephen G. Grenga**, Newark, N.Y.

[73] Assignee: **Spinco Metal Products, Inc.**, Newark, N.Y.

[**] Term: **14 Years**

[21] Appl. No.: **38,558**

[22] Filed: **May 8, 1995**

[52] U.S. Cl. **D23/235**

[58] Field of Search D23/233-237,
D23/244-249, 265; D8/387, 397, 398; 251/148;
285/154; 137/216, 218, 505.25

[56] **References Cited**

U.S. PATENT DOCUMENTS

- D. 119,175 2/1940 Shaw D23/235
- D. 274,082 5/1984 Burruss D23/235
- D. 299,950 2/1989 Canaan et al. D23/233

- D. 321,748 11/1991 Brito D23/235
- D. 347,048 5/1994 Davis D23/259

Primary Examiner—Stella Reid
Assistant Examiner—Eric Watterson
Attorney, Agent, or Firm—Howard J. Greenwald

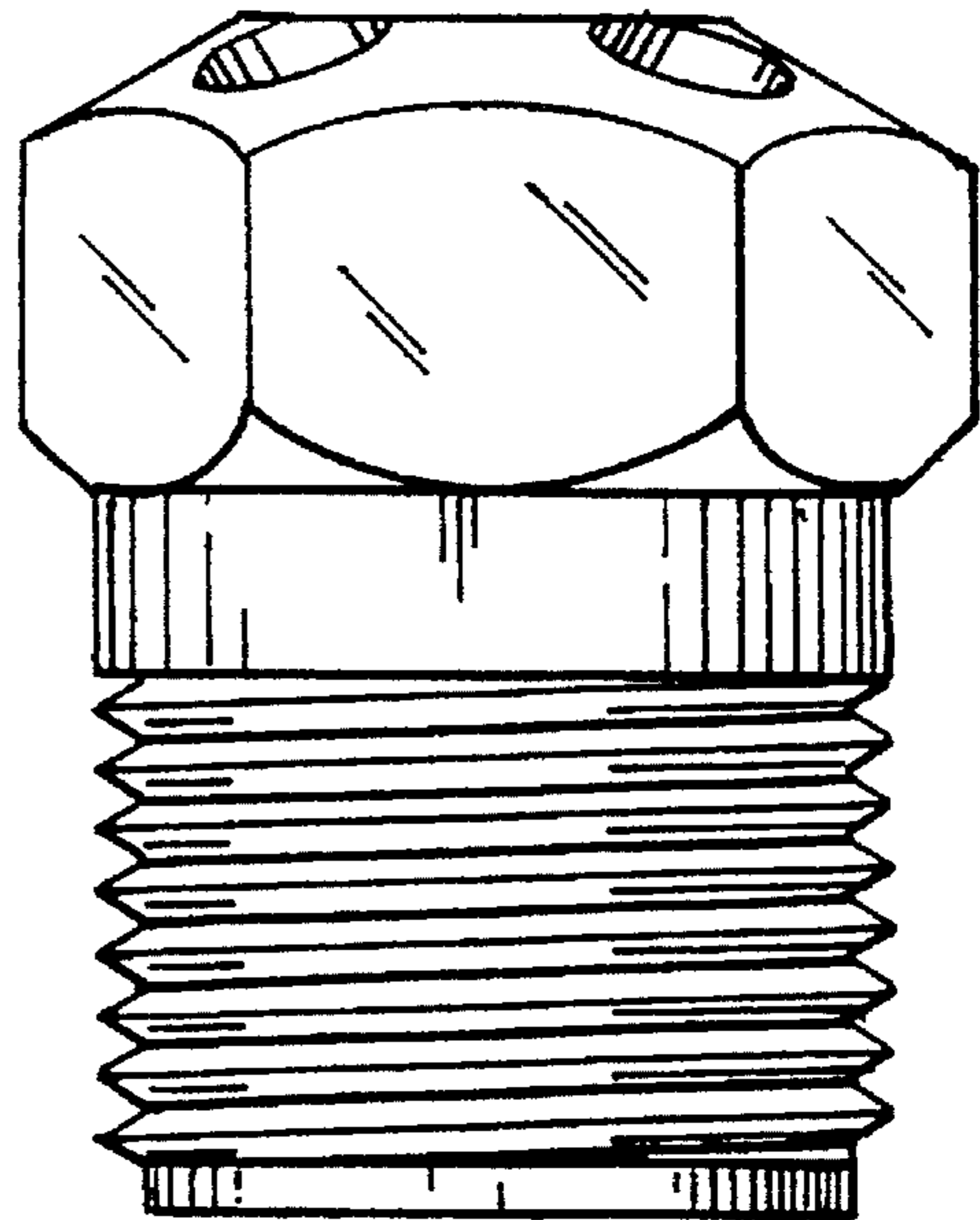
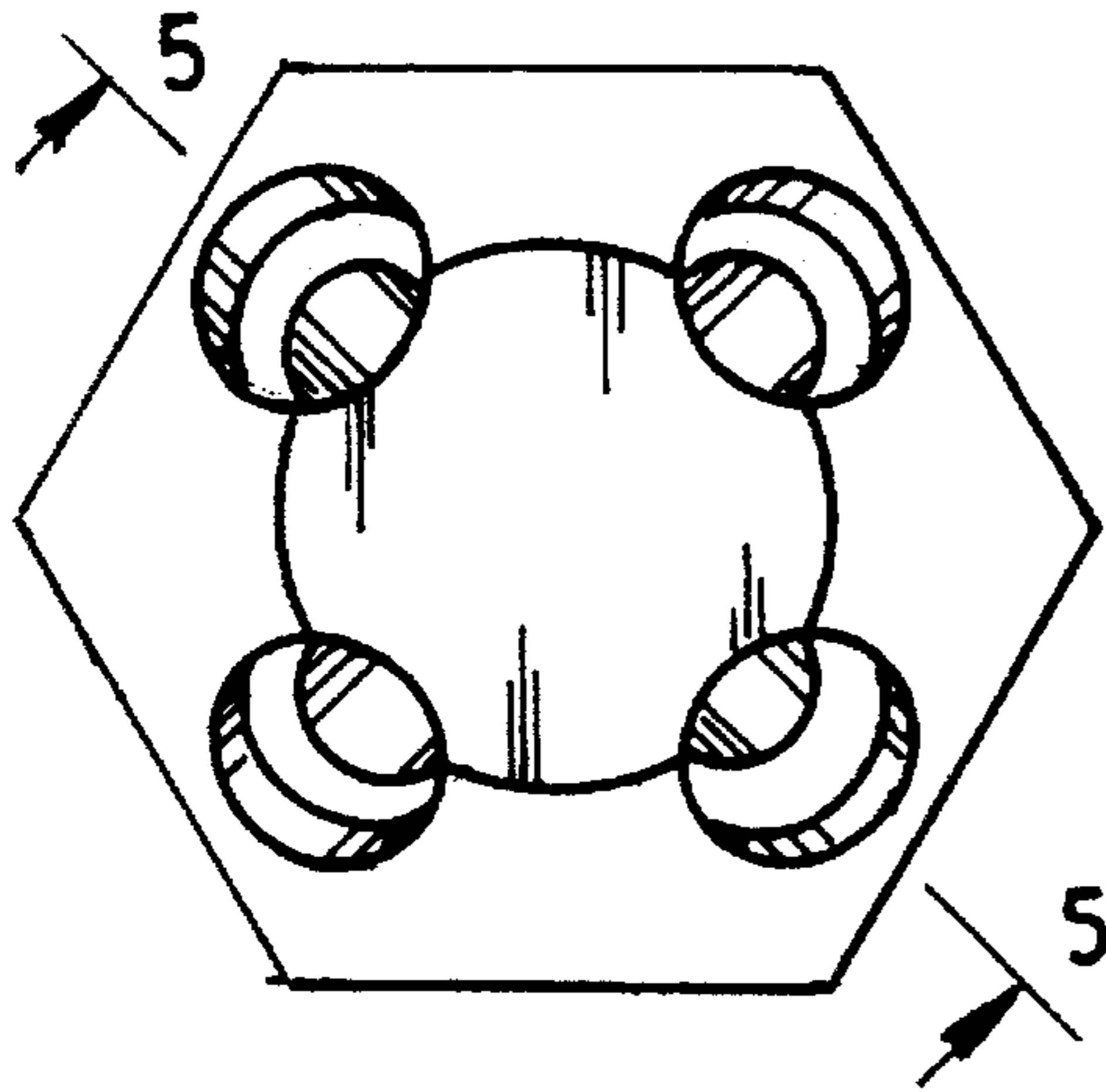
[57] **CLAIM**

The ornamental design for a distributor valve body, as shown and described.

DESCRIPTION

FIG. 1 is a top view of a distributor valve body showing my new design;
FIG. 2 is a front view thereof, the rear view being identical;
FIG. 3 is a bottom view thereof;
FIG. 4 is a left side view thereof, the right side view being identical; and,
FIG. 5 is a sectional view thereof taken along line 5—5 of FIG. 1.

1 Claim, 2 Drawing Sheets



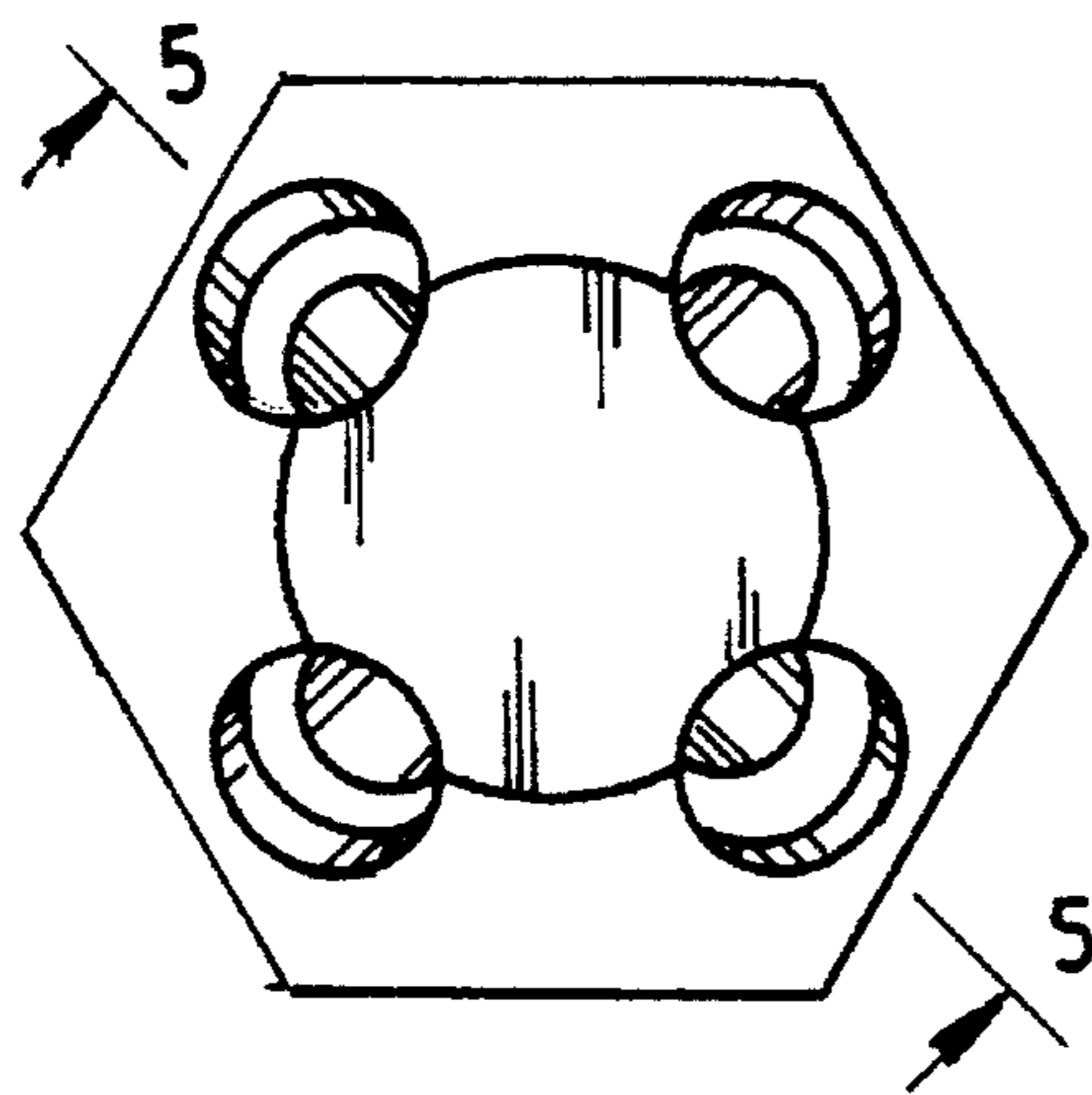


FIG. 1

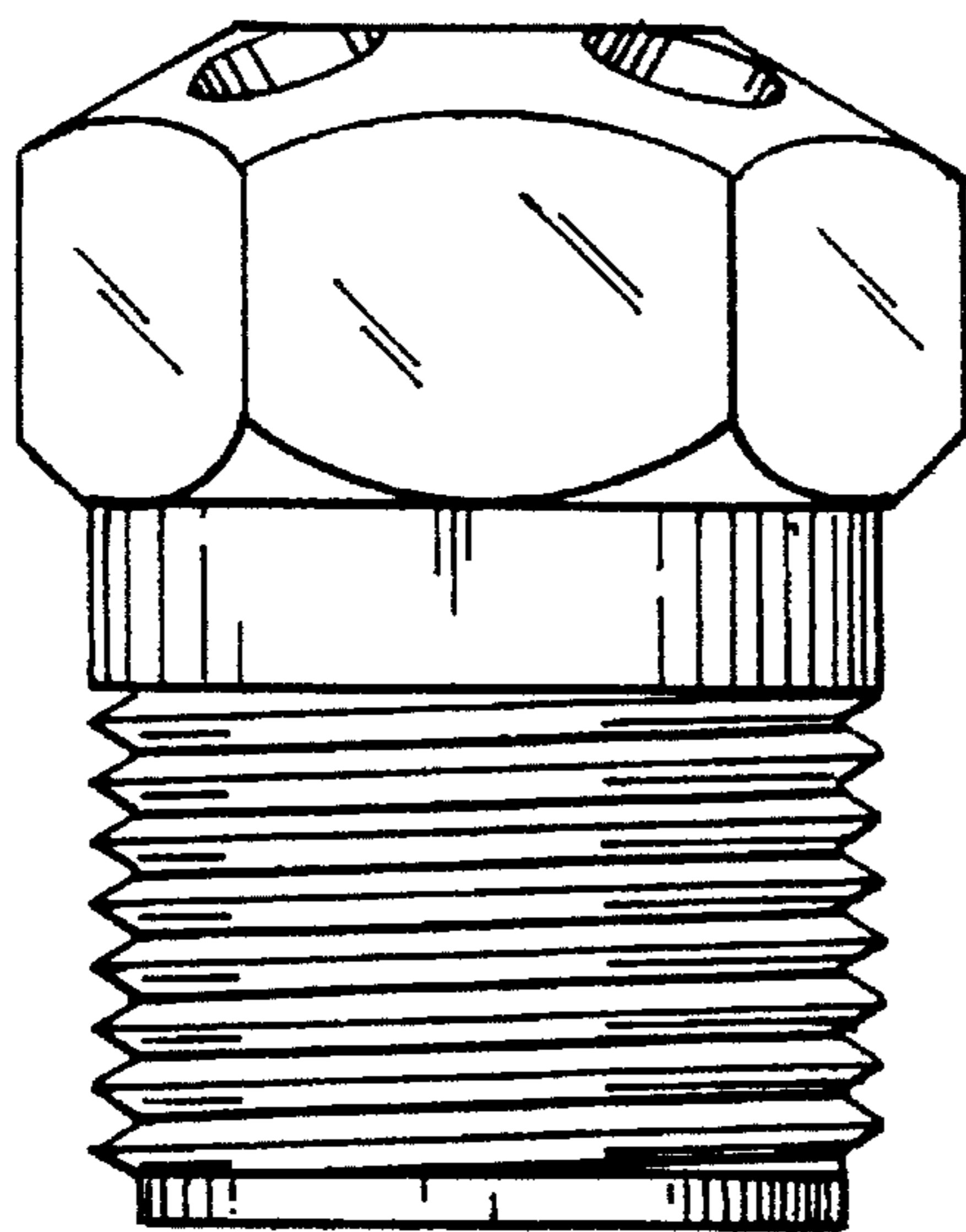


FIG. 2

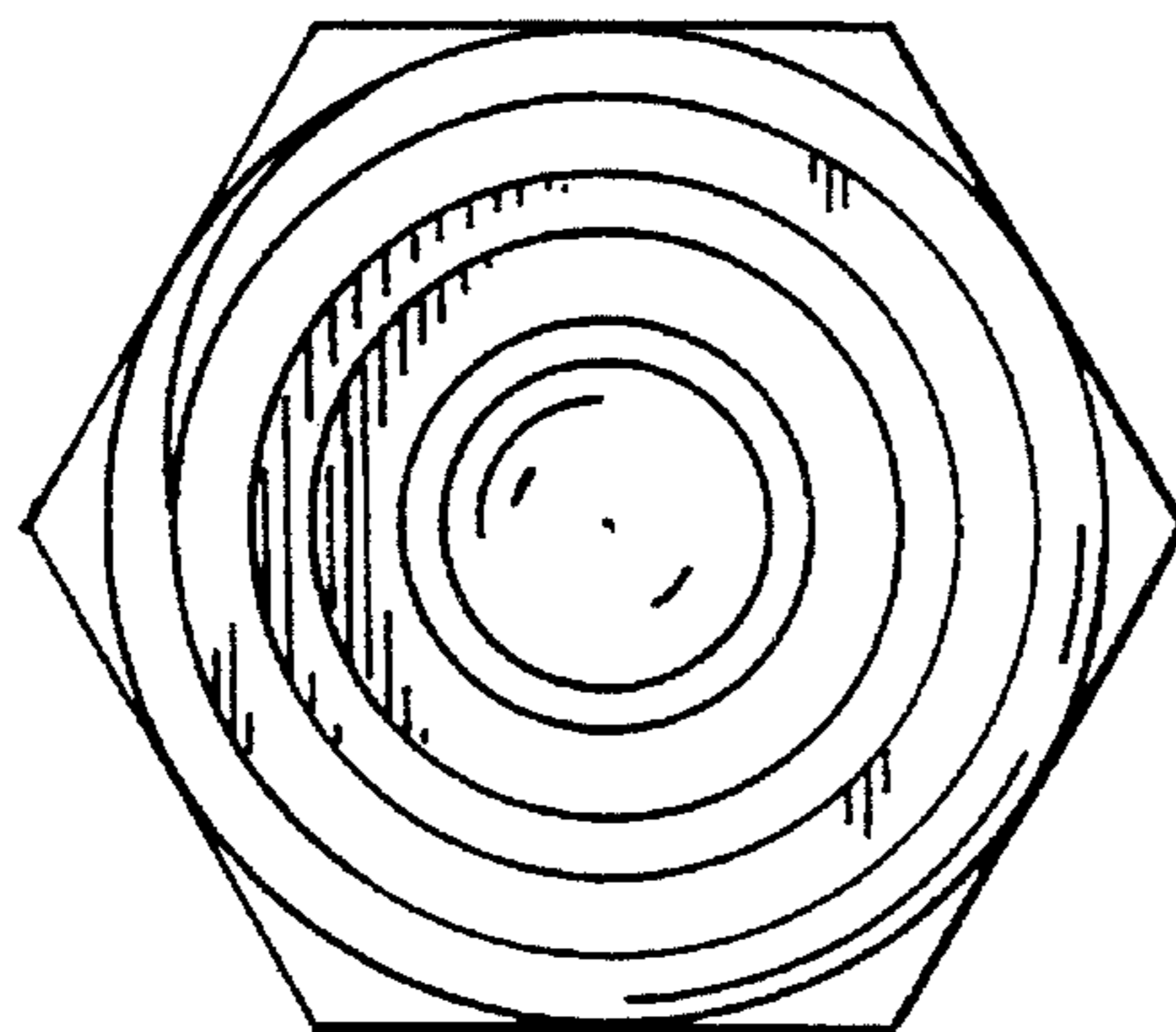


FIG. 3

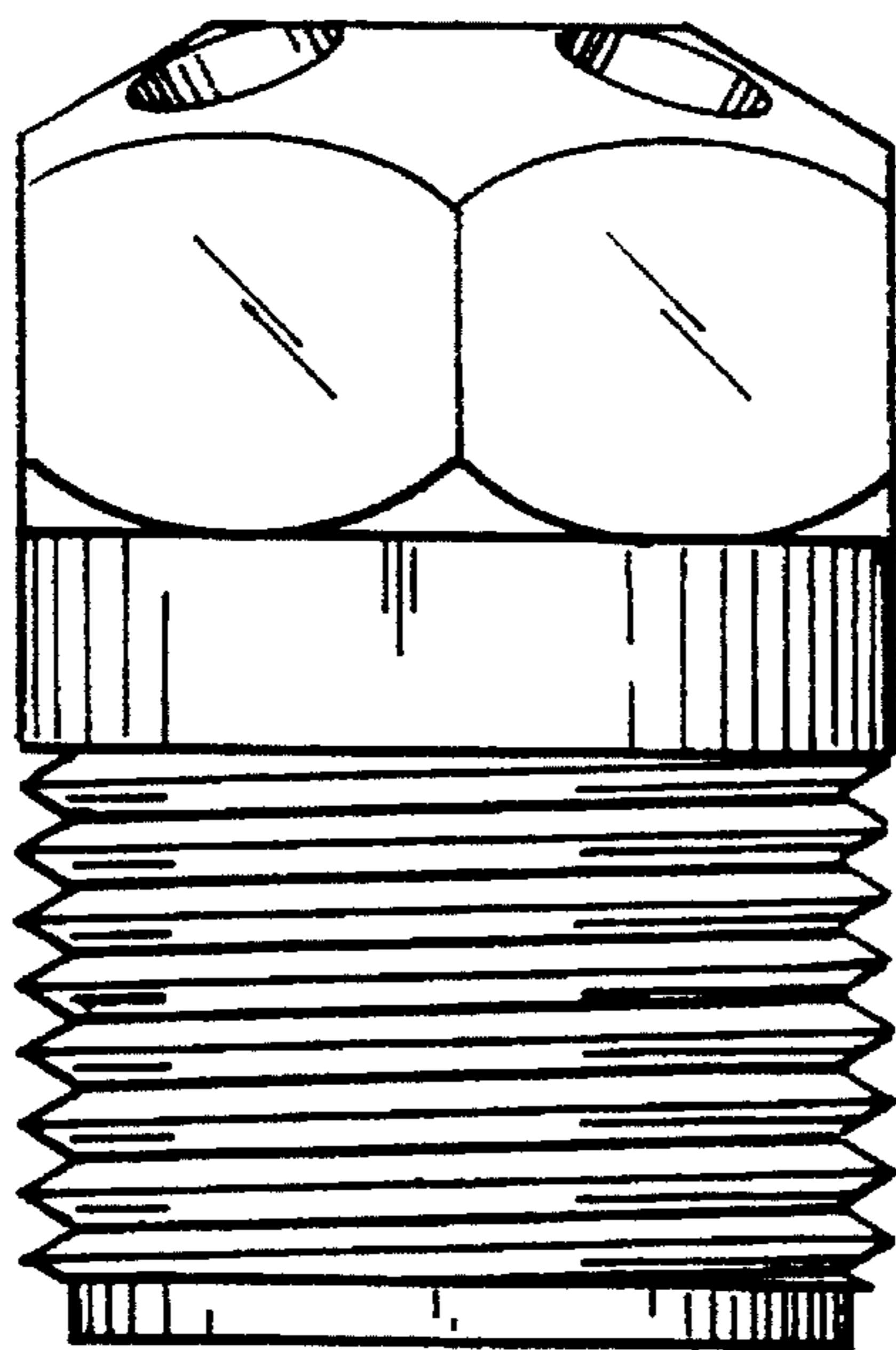


FIG. 4

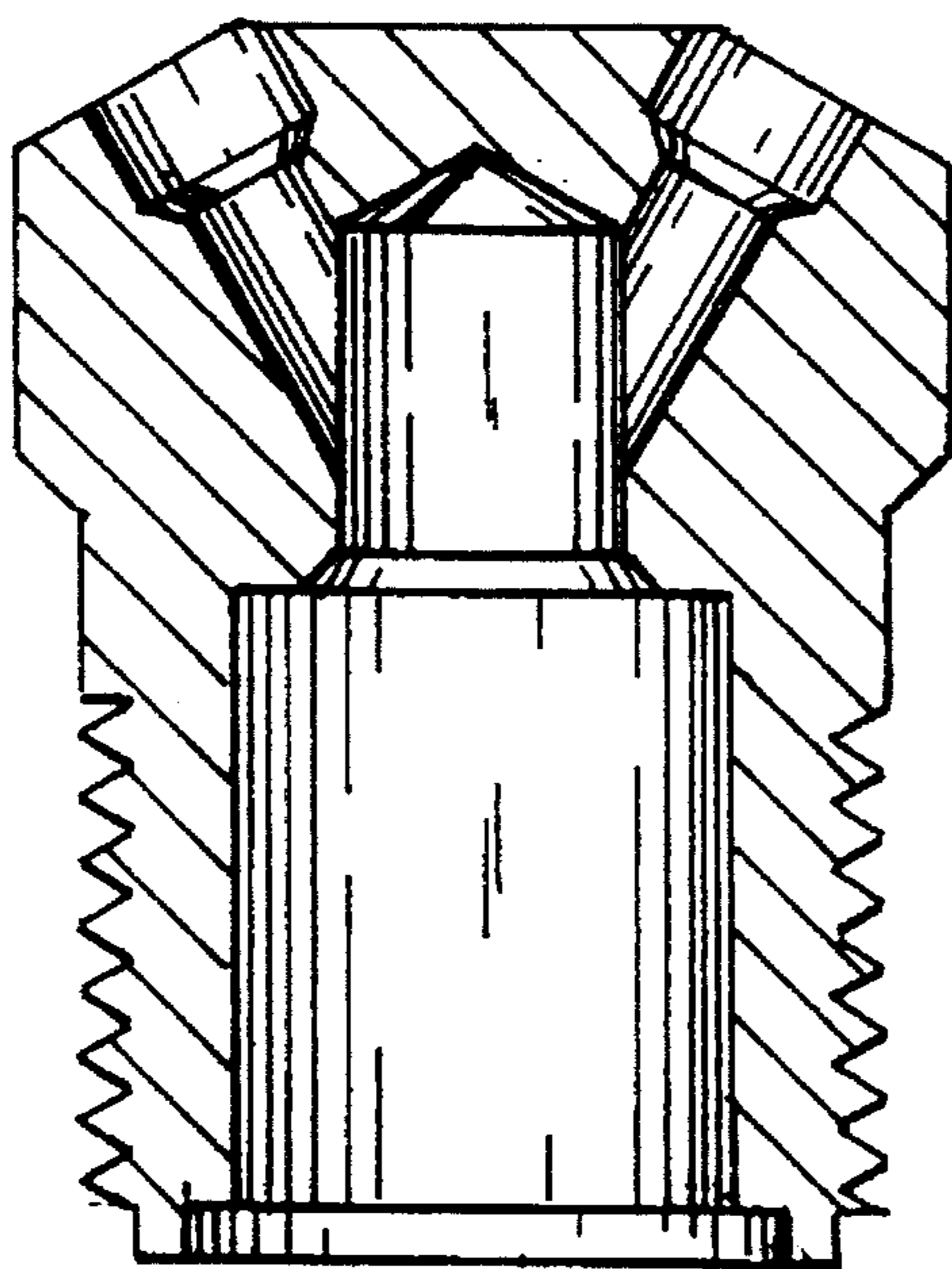


FIG. 5