



US00D368299S

**United States Patent** [19]  
**Ratledge**

[11] **Patent Number: Des. 368,299**

[45] **Date of Patent: \*\*Mar. 26, 1996**

[54] **PROBE CHECK VALVE**

4,498,532 2/1985 Mason ..... 166/70  
4,575,044 3/1986 Gentry ..... 166/70 X

[76] Inventor: **George L. Ratledge**, P.O. Box 1595,  
Clovis, N.M. 88101

*Primary Examiner*—Stella Reid  
*Attorney, Agent, or Firm*—DeWitt M. Morgan; Kevin Lynn  
Wildenstein

[\*\*] Term: **14 Years**

[21] Appl. No.: **31,500**

[57] **CLAIM**

[22] Filed: **Nov. 29, 1994**

The ornamental design for a probe check valve, as shown  
and described.

[52] U.S. Cl. .... **D23/235**

[58] **Field of Search** ..... D23/233–237,  
D23/244–249, 262, 260; 166/70, 383; 137/192,  
202, 430, 433

**DESCRIPTION**

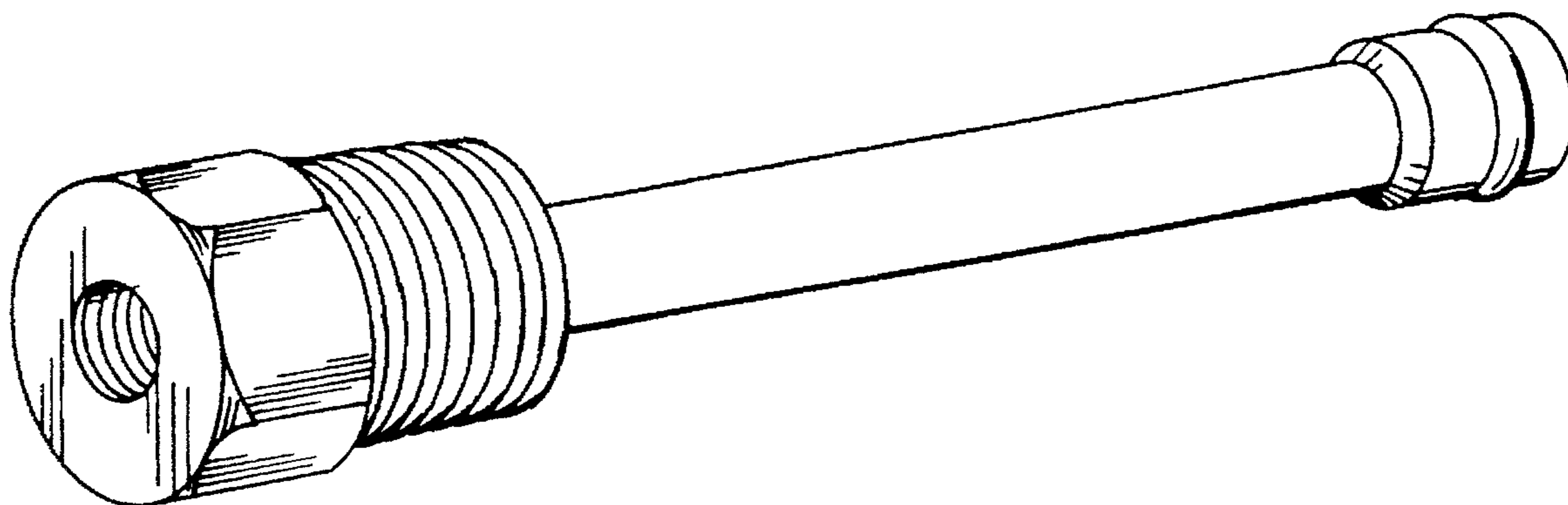
FIG. 1 is a side perspective view of a probe check valve,  
showing my new design;  
FIG. 2 is a front end view of the probe check valve;  
FIG. 3 is a back end view of the probe check valve; and,  
FIG. 4 is a side elevational view of a probe check valve, all  
other sides being a mirror image thereof.

[56] **References Cited**

**U.S. PATENT DOCUMENTS**

D. 274,083 5/1984 Burruss ..... D23/235  
D. 274,746 7/1984 Burruss ..... D23/235  
D. 288,349 2/1987 Howlett ..... D23/237

**1 Claim, 1 Drawing Sheet**



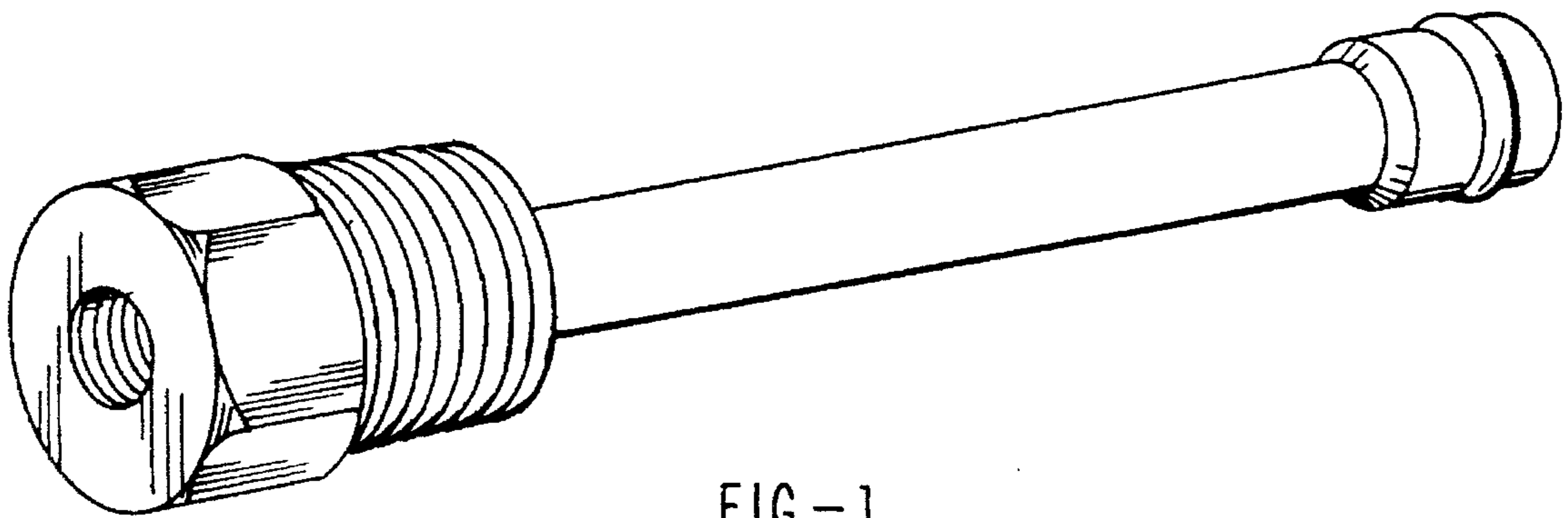


FIG-1

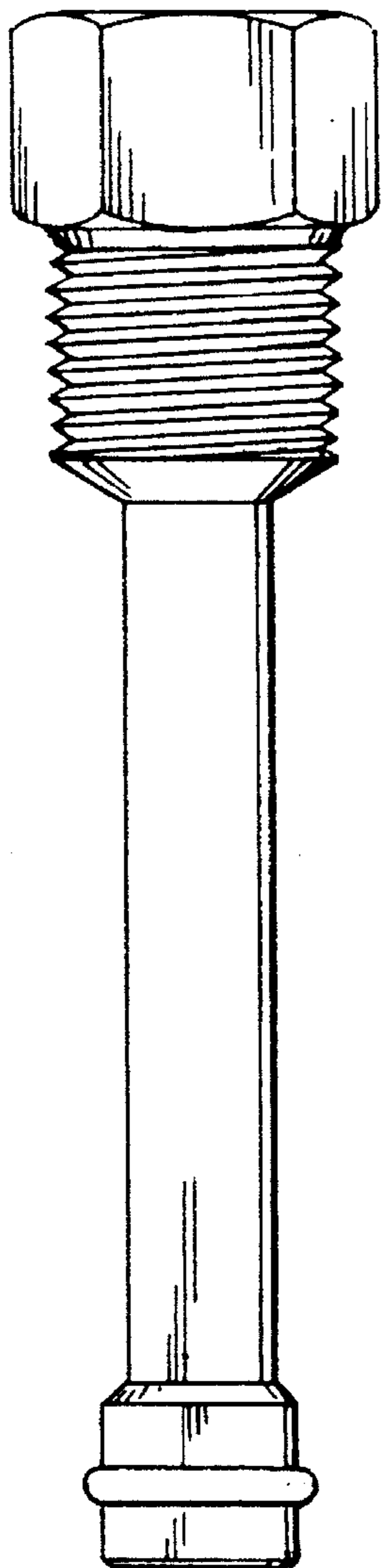


FIG-4

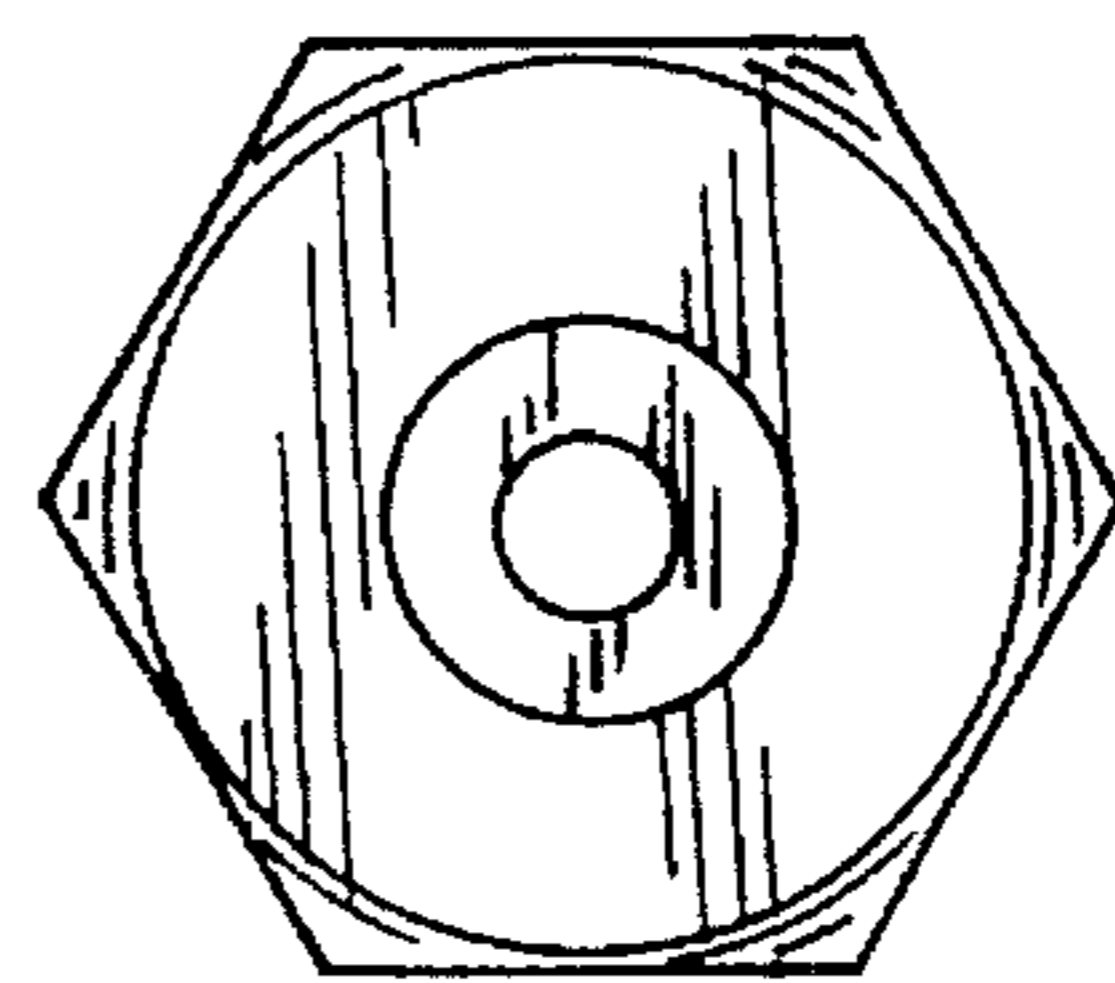


FIG-2

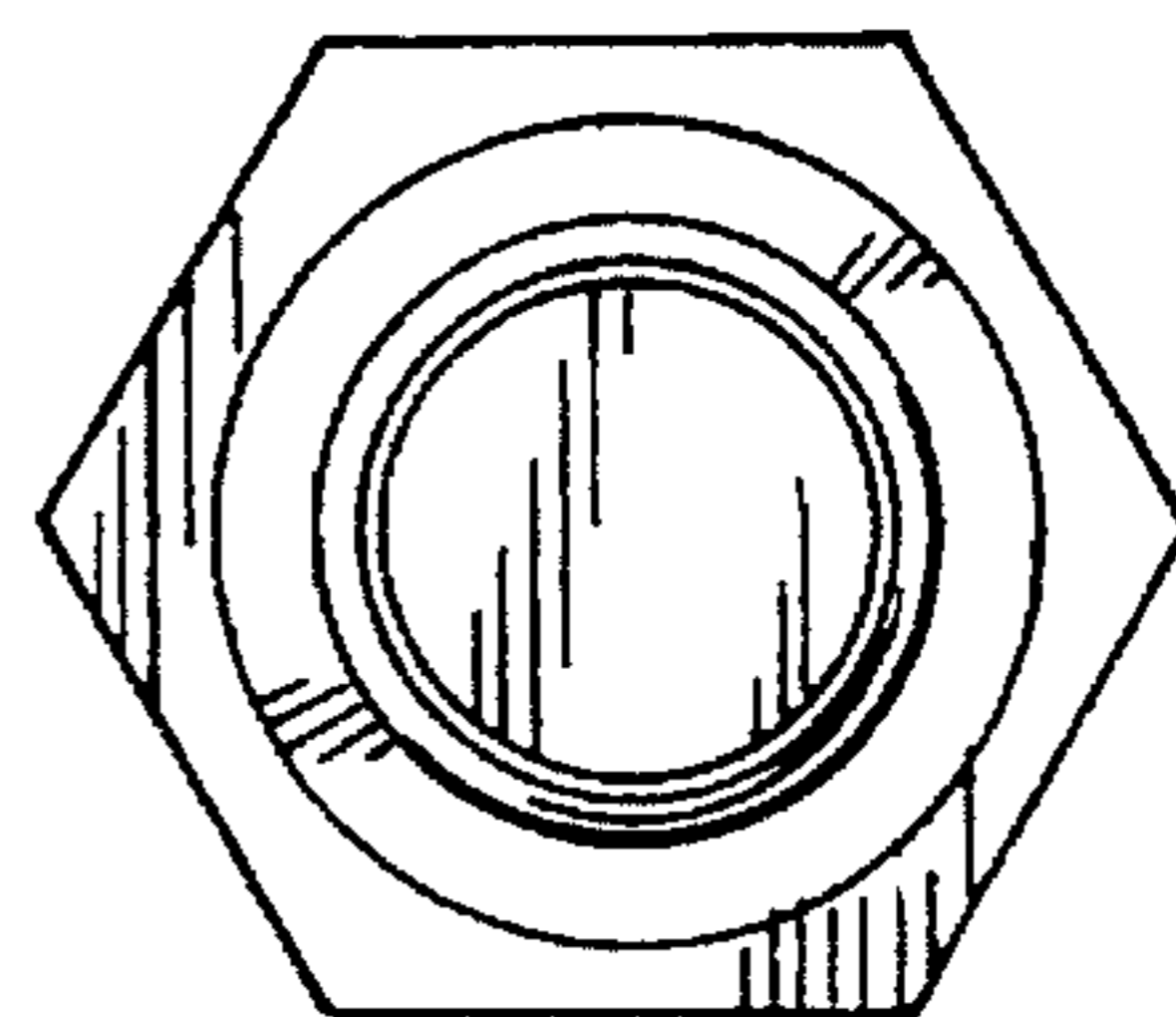


FIG-3