



US00D368297S

United States Patent [19]

[11] **Patent Number: Des. 368,297**

Dunlap

[45] **Date of Patent: **Mar. 26, 1996**

[54] **COMBINED AQUARIUM FILTER AND AERATOR**

OTHER PUBLICATIONS

[76] Inventor: **Eugene W. Dunlap**, 4239 Gannett Ave.,
St. Louis, Mo. 63116-1403

Dynaflor Motor Filter p. 32—Metaframe Catalogue #70,
1970.

[**] Term: **14 Years**

Primary Examiner—A. Hugo Word
Assistant Examiner—Robin V. Taylor
Attorney, Agent, or Firm—Richard C. Litman

[21] Appl. No.: **22,775**

[57] **CLAIM**

[22] Filed: **May 11, 1994**

The ornamental design for a combined aquarium filter and aerator, as shown and described.

[52] U.S. Cl. **D23/210**

[58] Field of Search D23/209, 210;
210/167, 169, 416.2, 416.3

DESCRIPTION

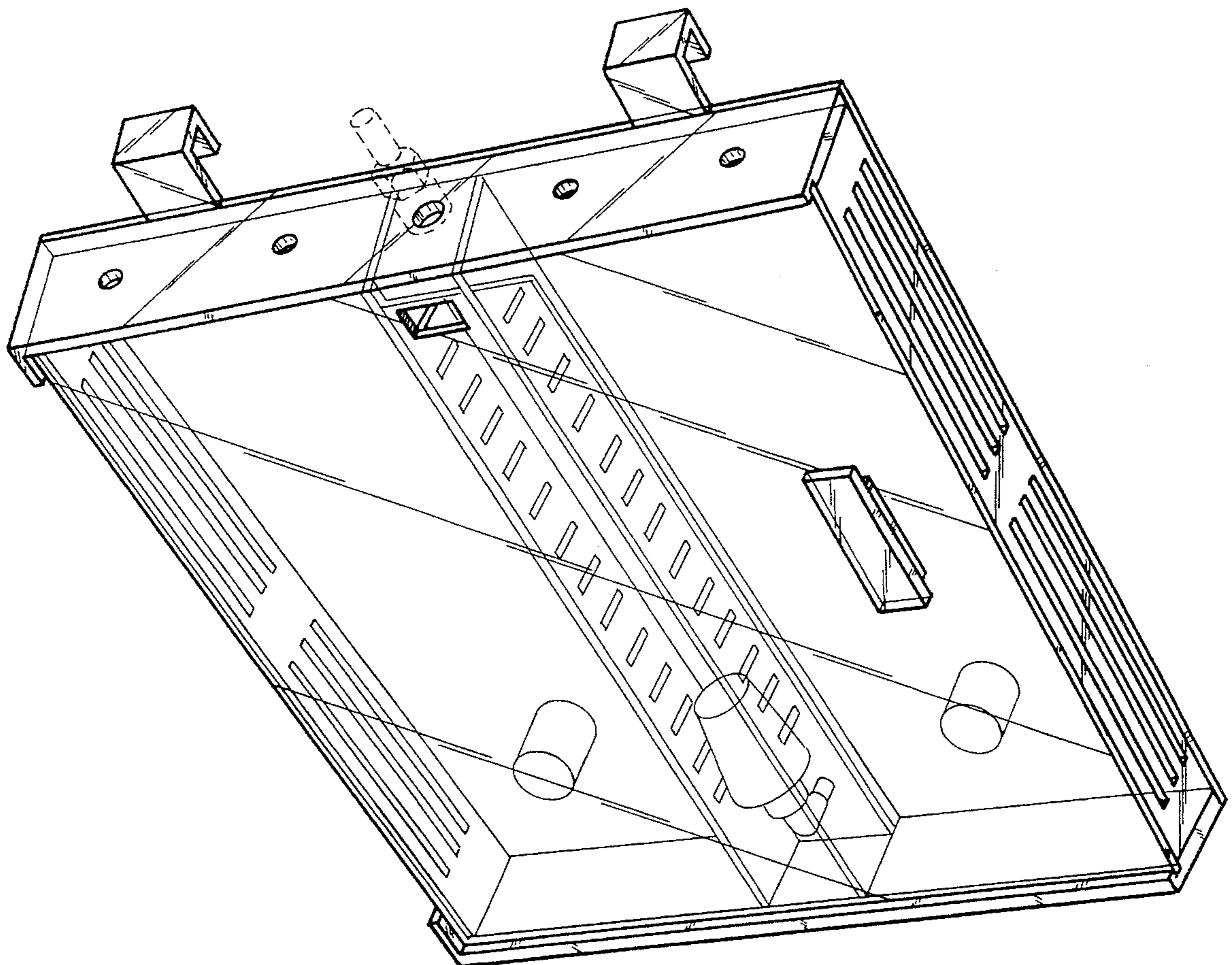
[56] **References Cited**

U.S. PATENT DOCUMENTS

D. 205,582	8/1966	Willinger	D23/210
D. 220,486	4/1971	Sesholtz	D23/209
D. 294,172	2/1988	Willinger	D23/210
2,767,509	10/1956	Breithaupt	.	
3,006,476	10/1961	Halpert	.	
4,532,037	7/1985	Willinger	D23/210
4,712,327	12/1987	Ross, Sr. et al.	.	
4,994,177	2/1991	Bogar, Jr.	.	
5,077,932	1/1992	Hetherington	.	
5,100,543	3/1992	Stauffer et al.	.	

FIG. 1 is a perspective view of the combined aquarium filter and aerator showing my new design;
FIG. 2 is a top plan view thereof;
FIG. 3 is a front elevational view thereof;
FIG. 4 is a right side elevational view thereof;
FIG. 5 is a rear elevational view thereof;
FIG. 6 is a left side elevational view thereof; and,
FIG. 7 is a bottom plan view thereof.
The broken line showing of air conduit structure is for illustrative purposes only and forms no part of the claimed design.

1 Claim, 3 Drawing Sheets



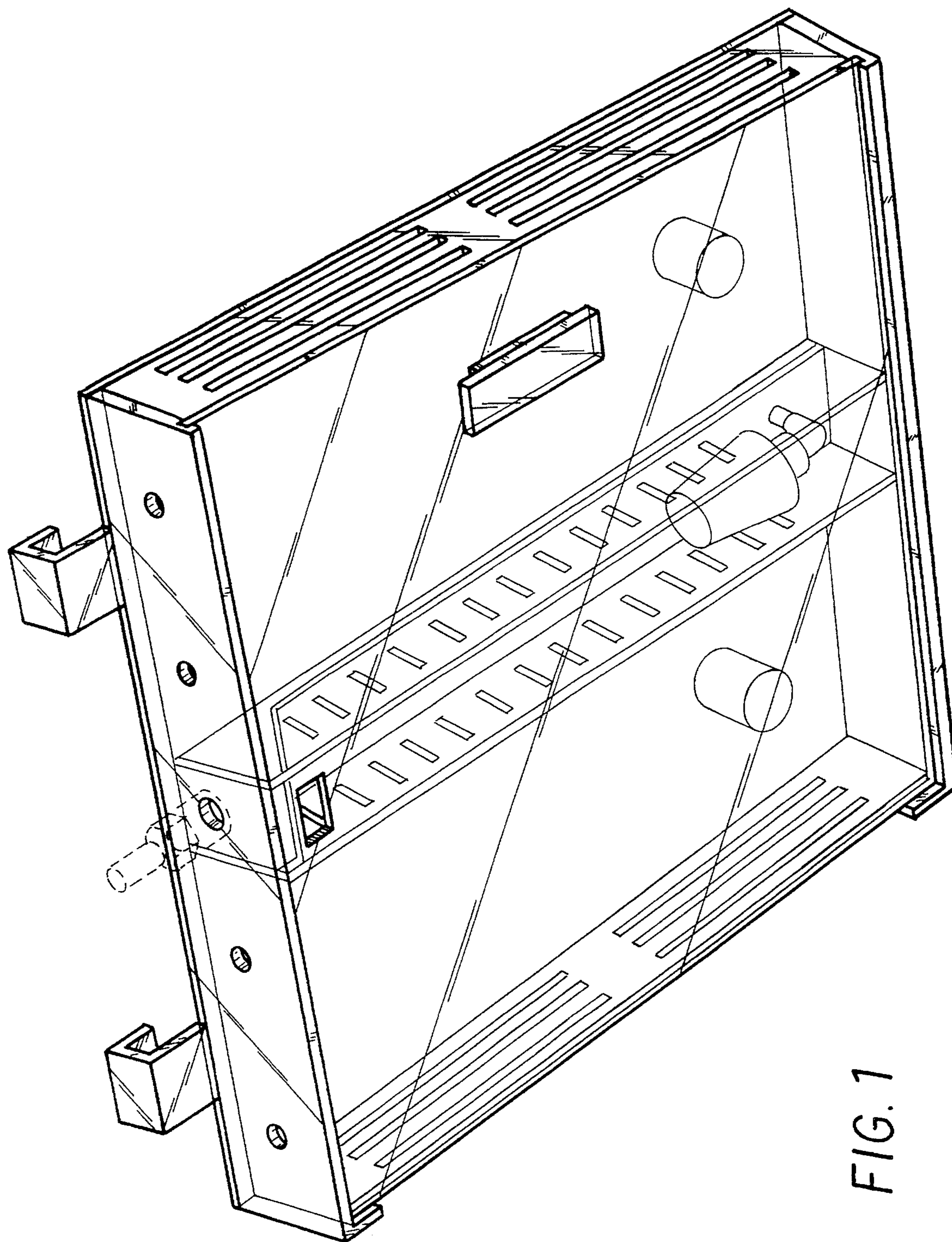


FIG. 1

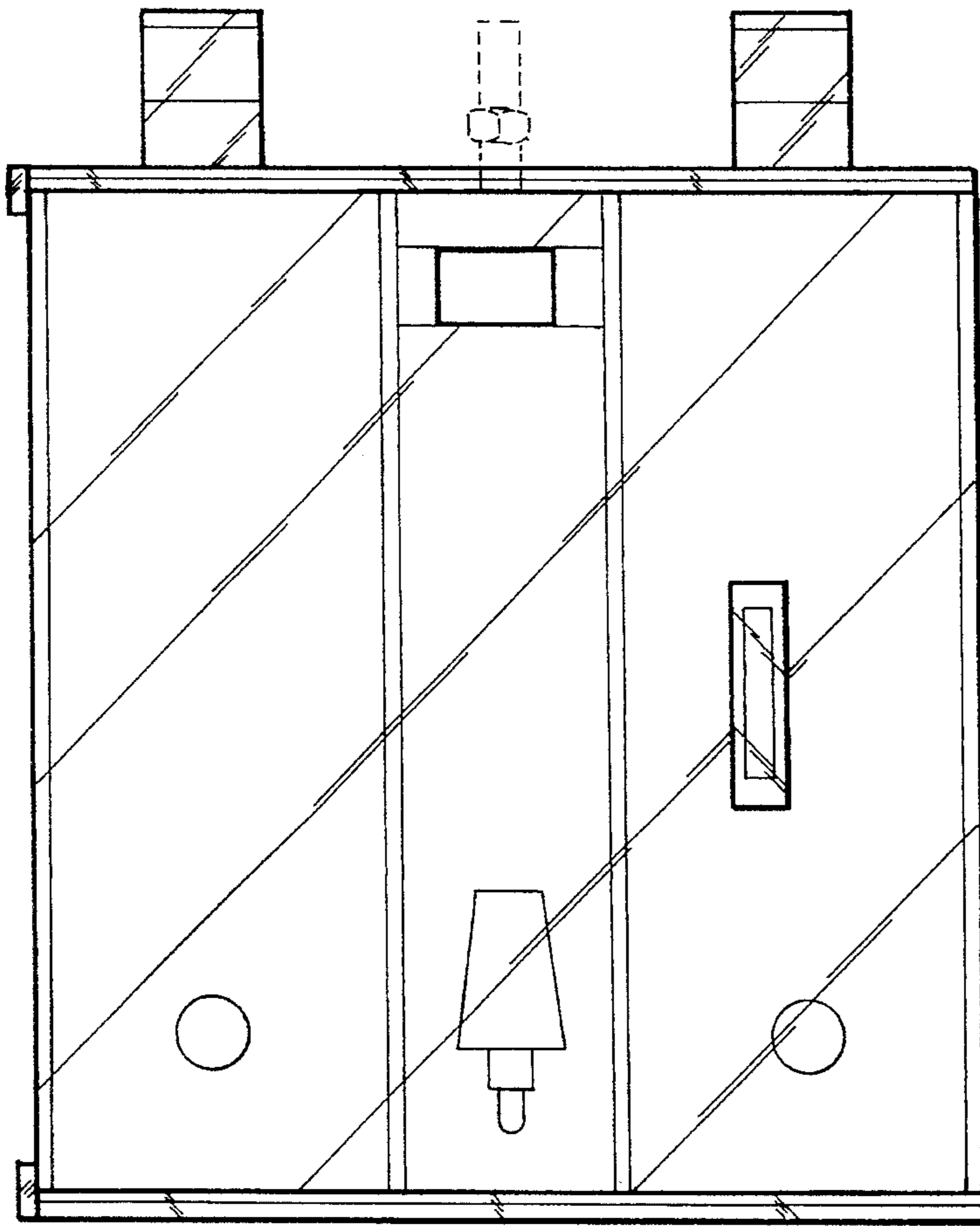


FIG. 3

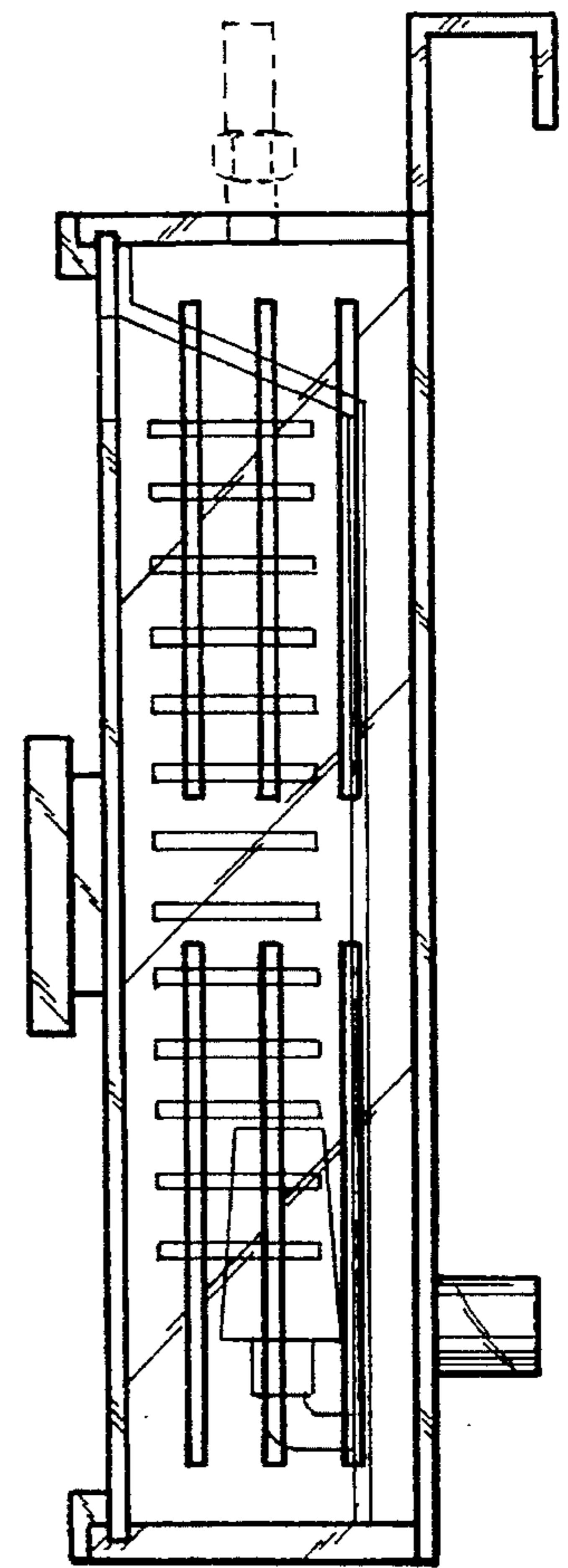


FIG. 4

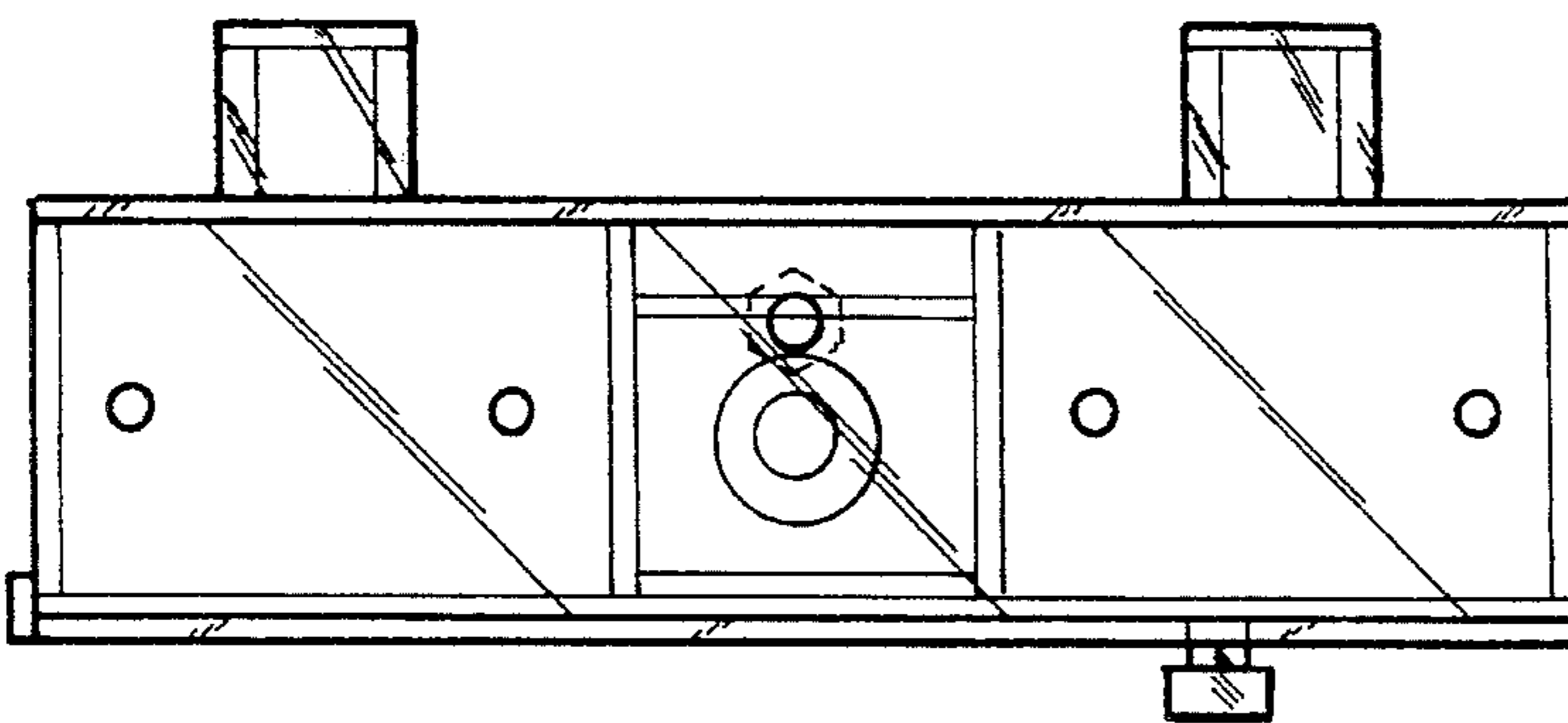


FIG. 2

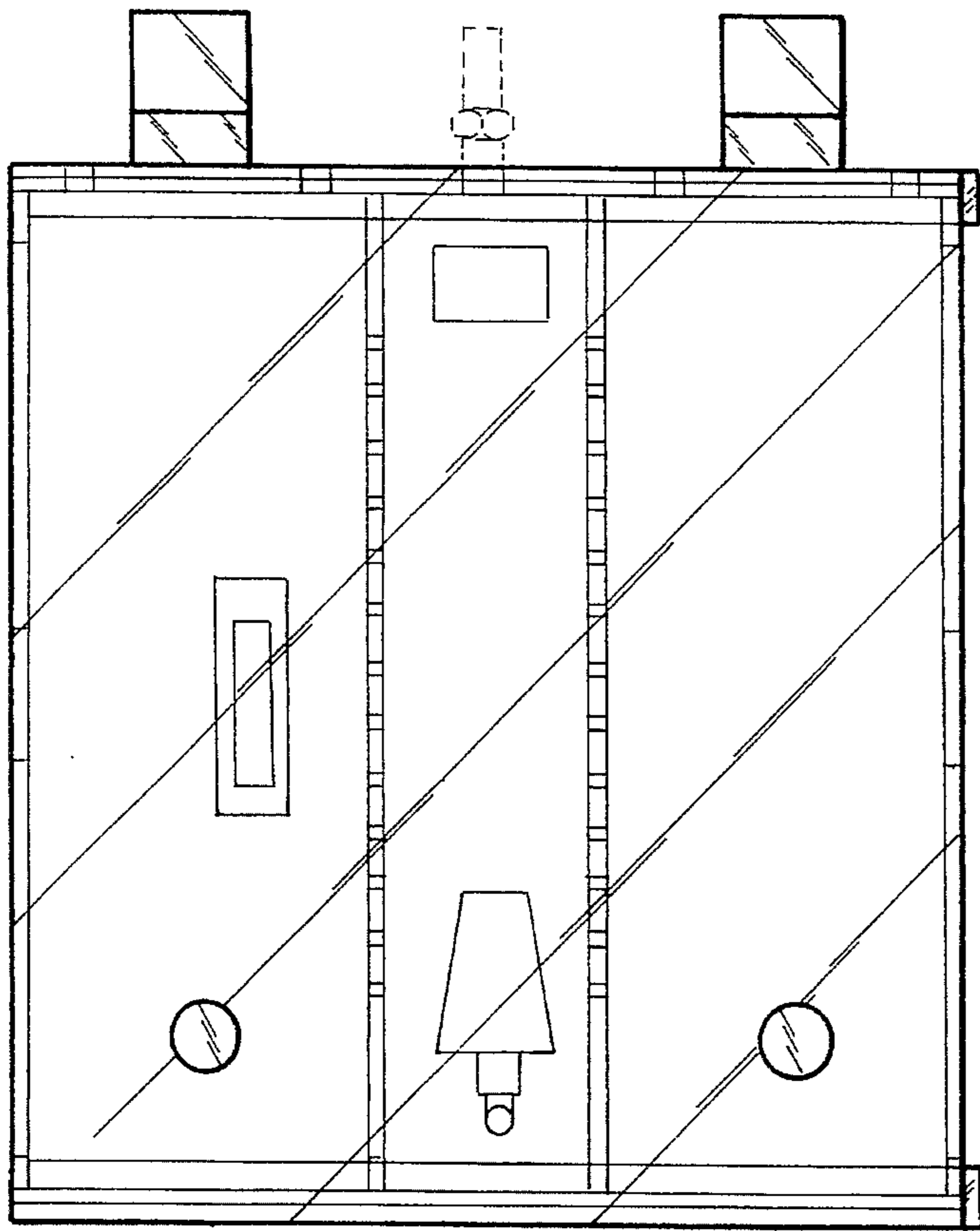


FIG. 5

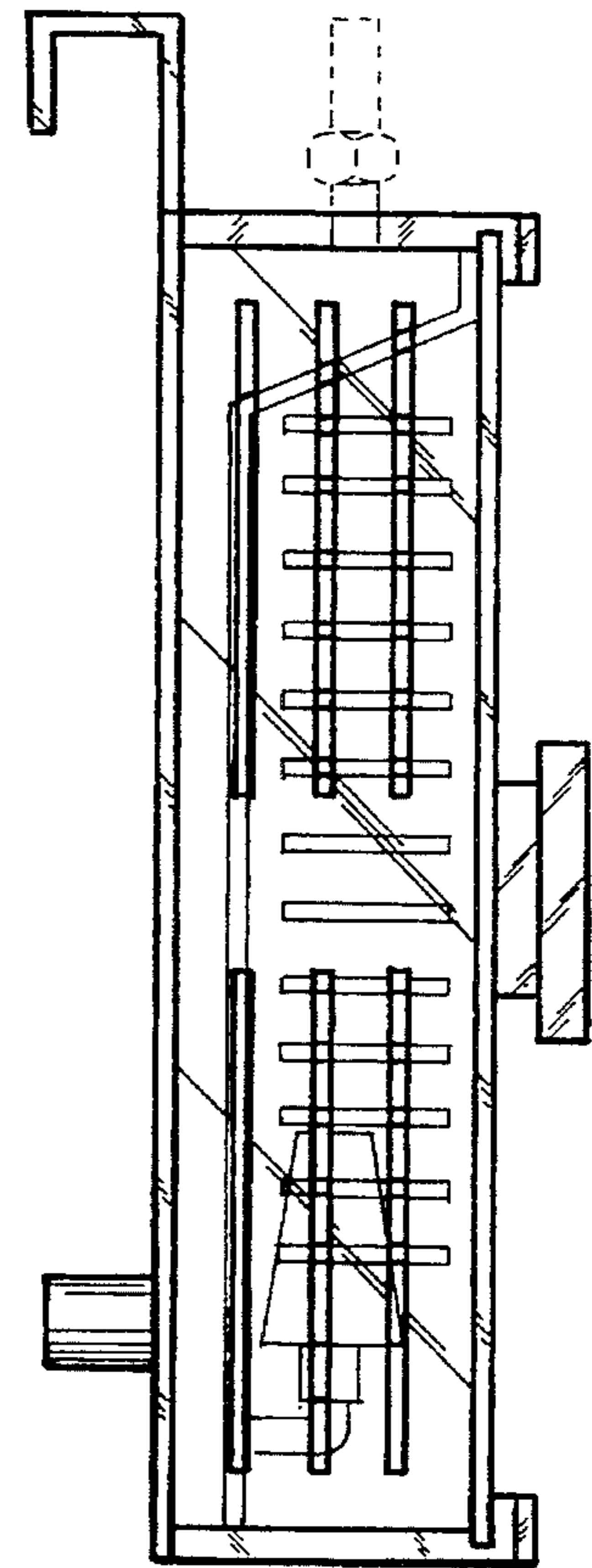


FIG. 6

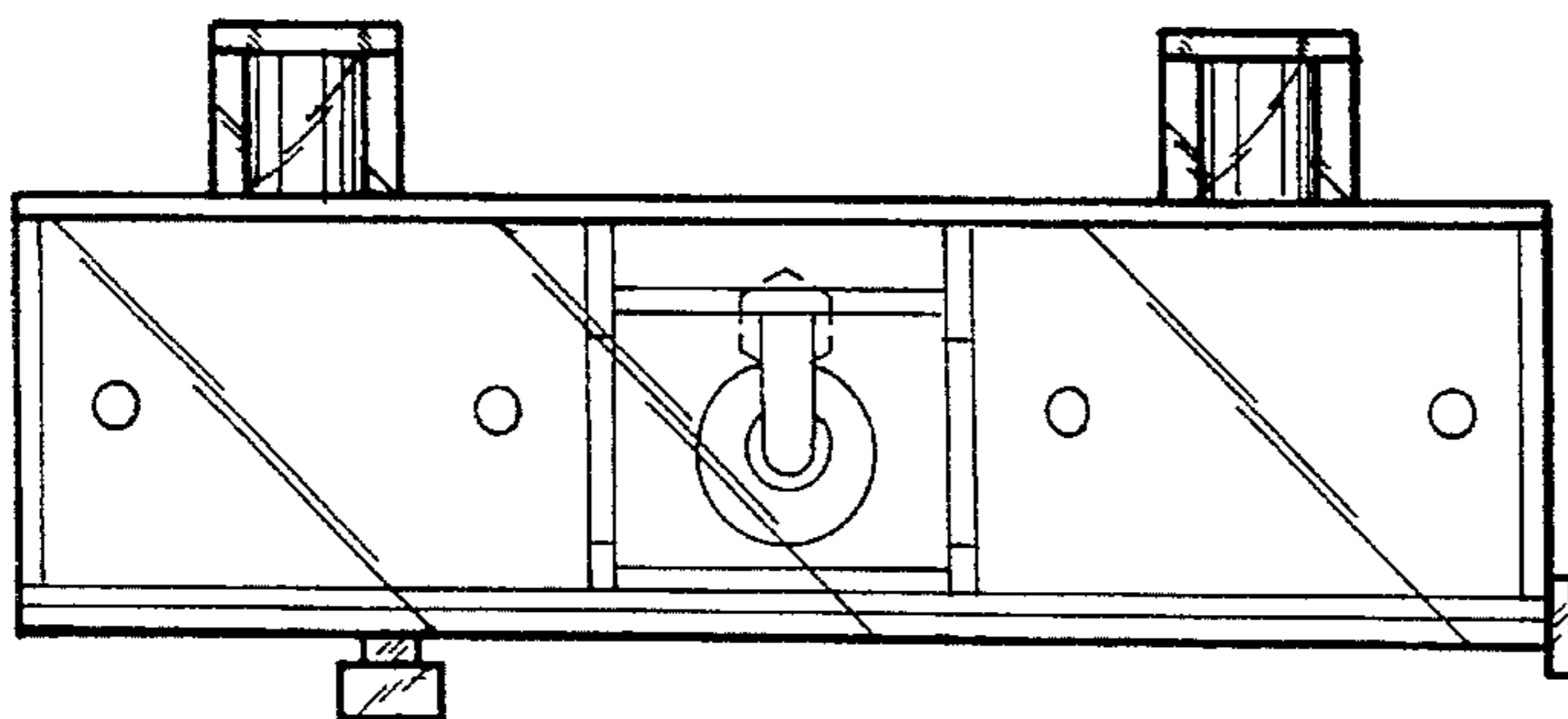


FIG. 7