



US00D368296S

United States Patent [19]

[11] Patent Number: **Des. 368,296**

Takizawa et al.

[45] Date of Patent: ****Mar. 26, 1996**

[54] **LINE GUIDE FOR A FISHING ROD**

[75] Inventors: **Shinya Takizawa**, Musashino; **Shuichi Kimura**; **Masaru Akiba**, both of Higashikurume, all of Japan

[73] Assignee: **Daiwa Seiko, Inc.**, Higashikurume, Japan

[**] Term: **14 Years**

[21] Appl. No.: **33,067**

[22] Filed: **Jan. 4, 1995**

[30] **Foreign Application Priority Data**

Jul. 8, 1994 [JP] Japan 6-20396
Dec. 15, 1994 [JP] Japan 6-38340

[52] U.S. Cl. **D22/143**

[58] Field of Search D22/143; 43/24, 43/18

[56] **References Cited**

U.S. PATENT DOCUMENTS

4,334,379 6/1982 Nelli 43/24
5,159,776 11/1992 Horton et al. 43/24
5,283,973 2/1994 Oyama 43/24
5,417,007 5/1995 Stotesbury et al. 43/24

FOREIGN PATENT DOCUMENTS

54-25318 6/1979 Japan .

OTHER PUBLICATIONS

Catalog "New Tackle News '92 No.8" issued on Sep., 1992 By Kabushiki Kai Shimano, * Shimano Inneer Guide system.

Catalog "'94 Fuji Tackle" issued on Jan. 25, 1994 by Fuji Kogyo Kabushiki Kaisha, * No. I—Guide (BISG).

Primary Examiner—Doris V. Coles

Attorney, Agent, or Firm—Cushman Darby & Cushman

[57] **CLAIM**

The ornamental design for a line guide for a fishing rod, as shown and described.

DESCRIPTION

FIG. 1 is a top, rear and right side of the perspective view of a line guide for a fishing rod showing our new design; FIG. 2 is a front elevational view thereof; FIG. 3 is a top plan view thereof; FIG. 4 is a bottom view thereof; FIG. 5 is a left side elevational view thereof; FIG. 6 is a right side elevational view thereof; FIG. 7 is a top, rear and right side of the perspective view of the other embodiment showing our new design; FIG. 8 is a front elevational view thereof; FIG. 9 is a top plan view thereof; FIG. 10 is a bottom view thereof; FIG. 11 is a left side elevational view thereof; and, FIG. 12 is a right side elevational view thereof.

1 Claim, 4 Drawing Sheets

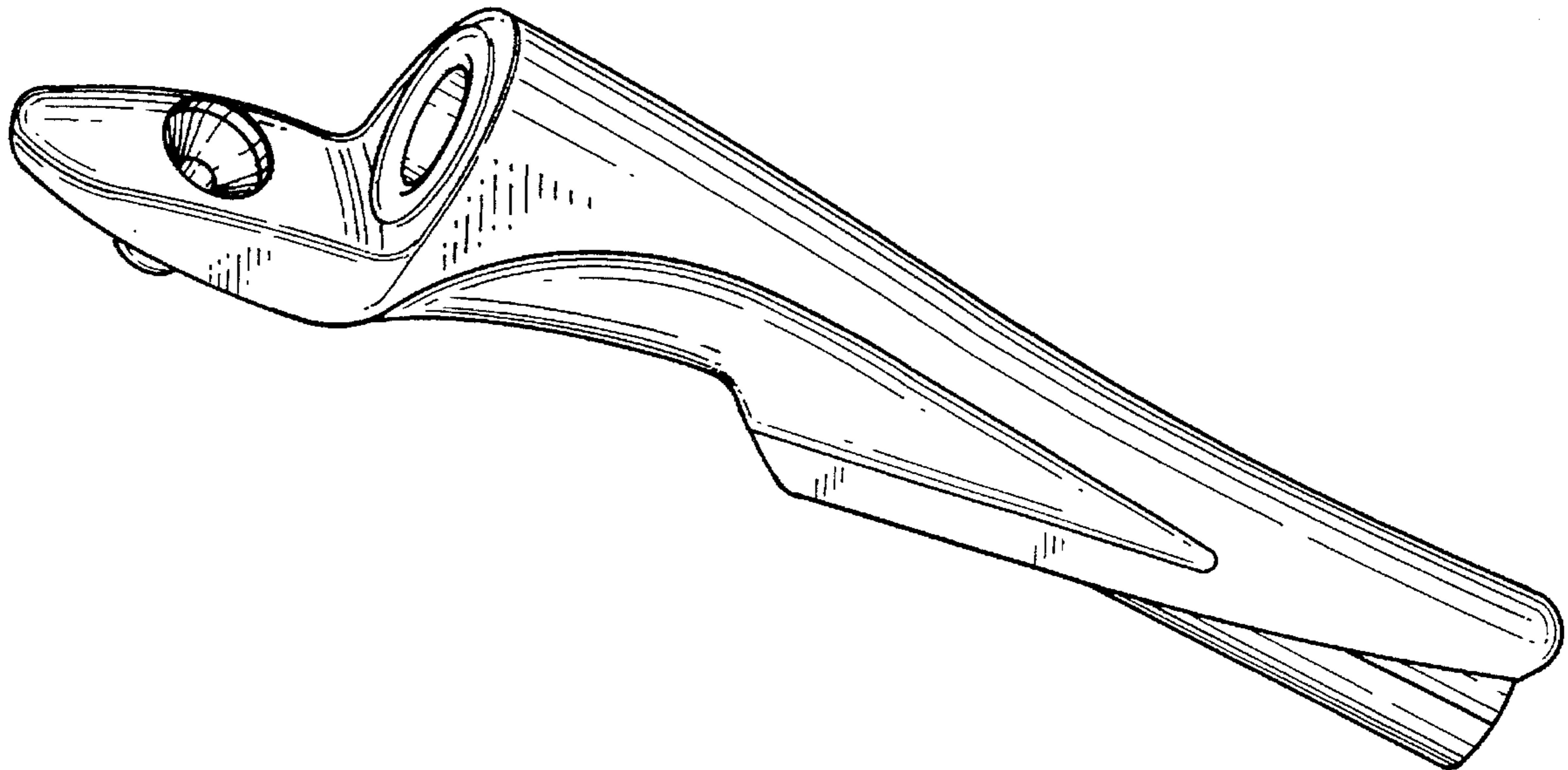


Fig. 1

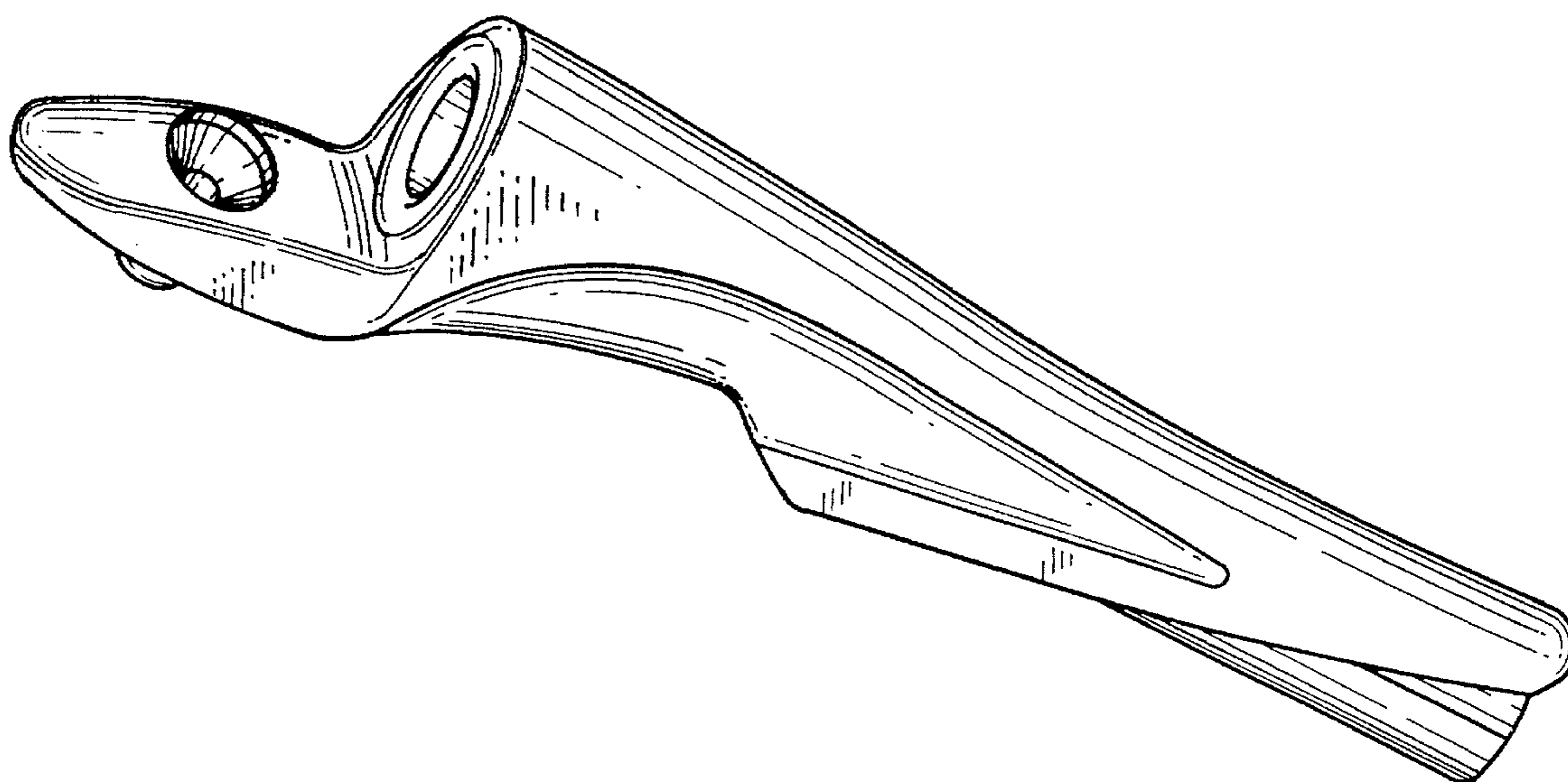


Fig. 2

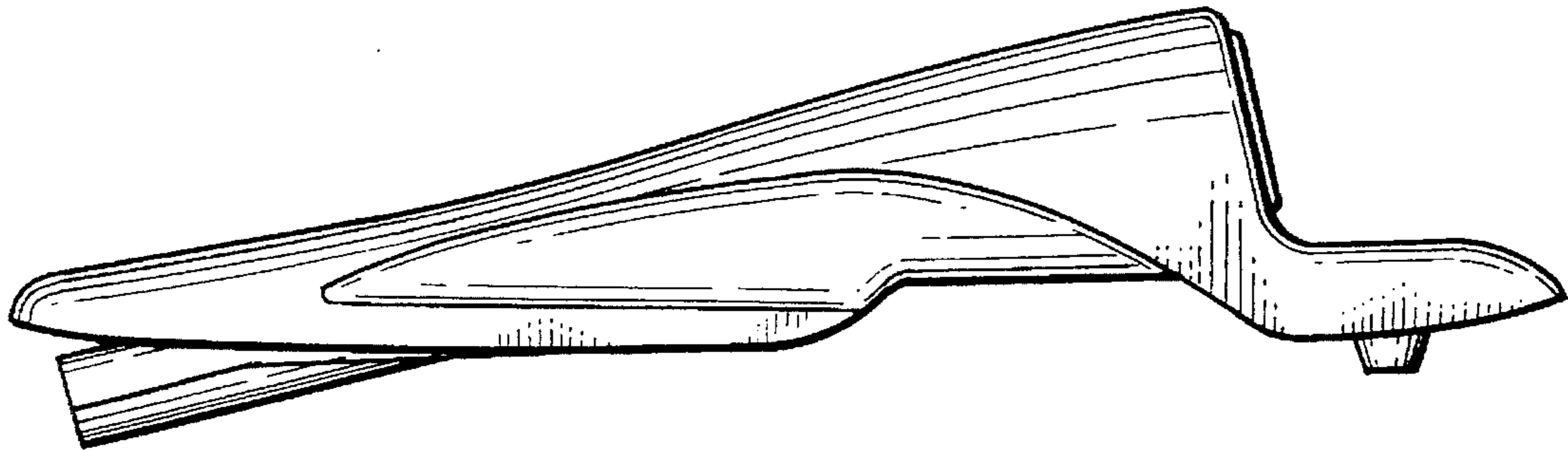


Fig. 3

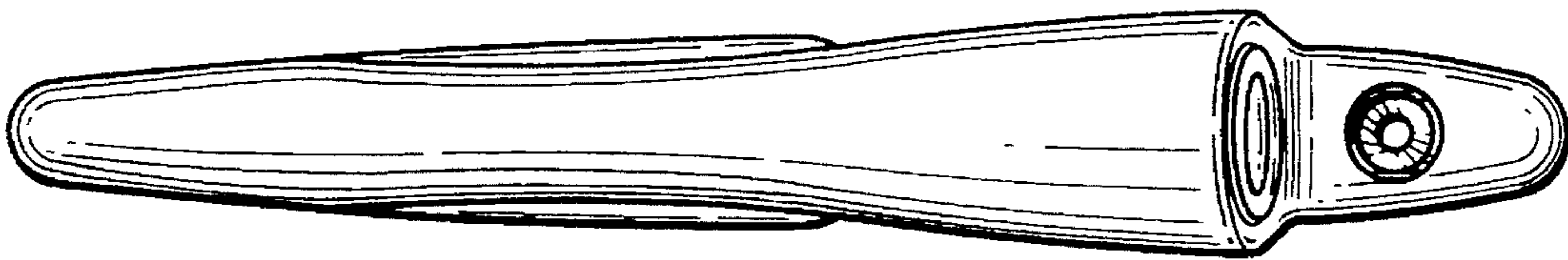


Fig. 4

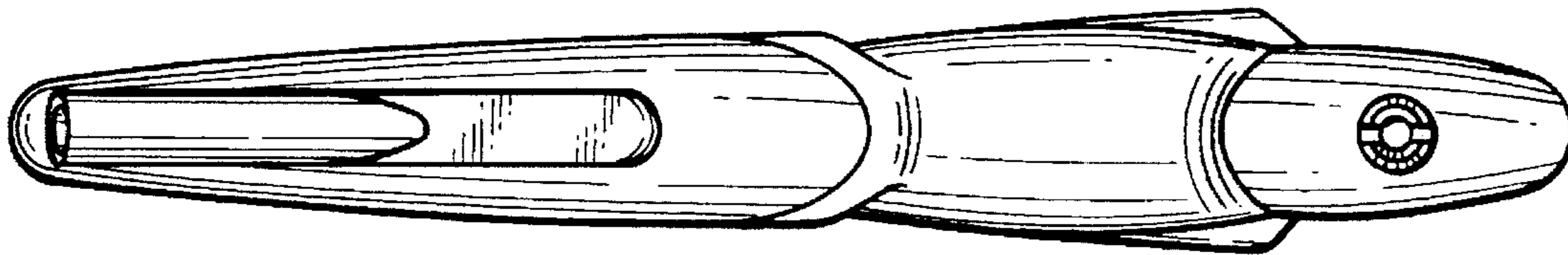


Fig. 5

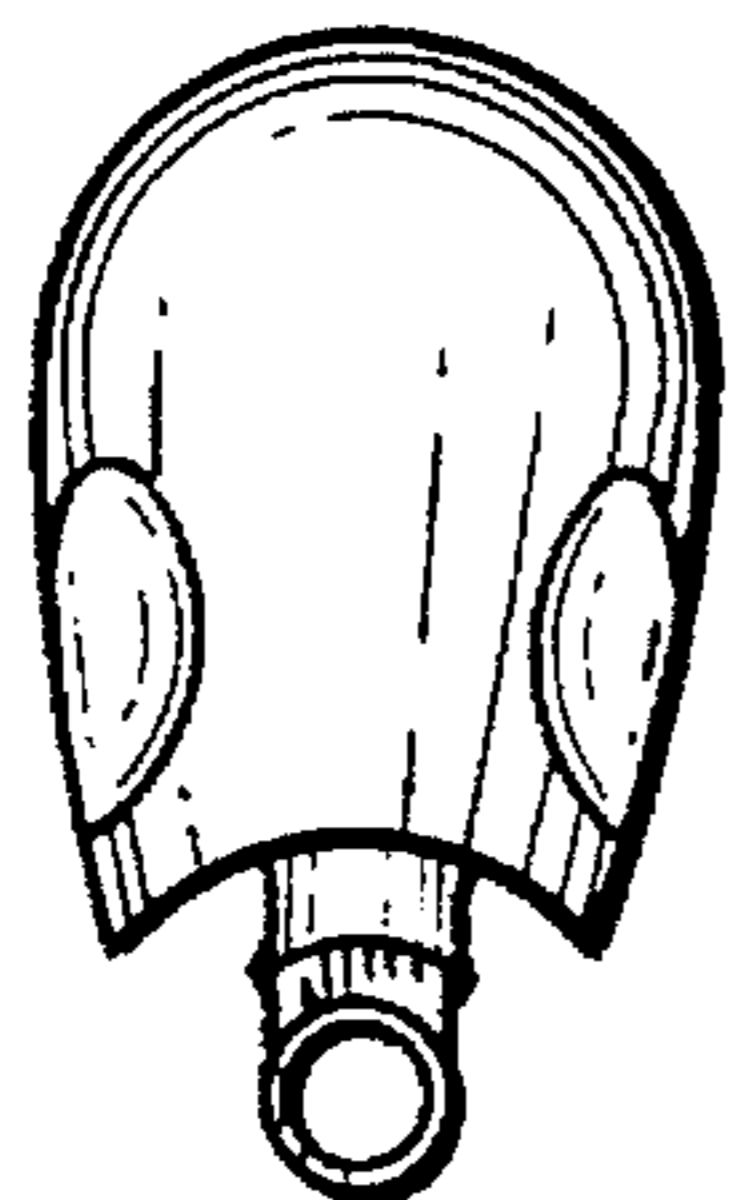


Fig. 6

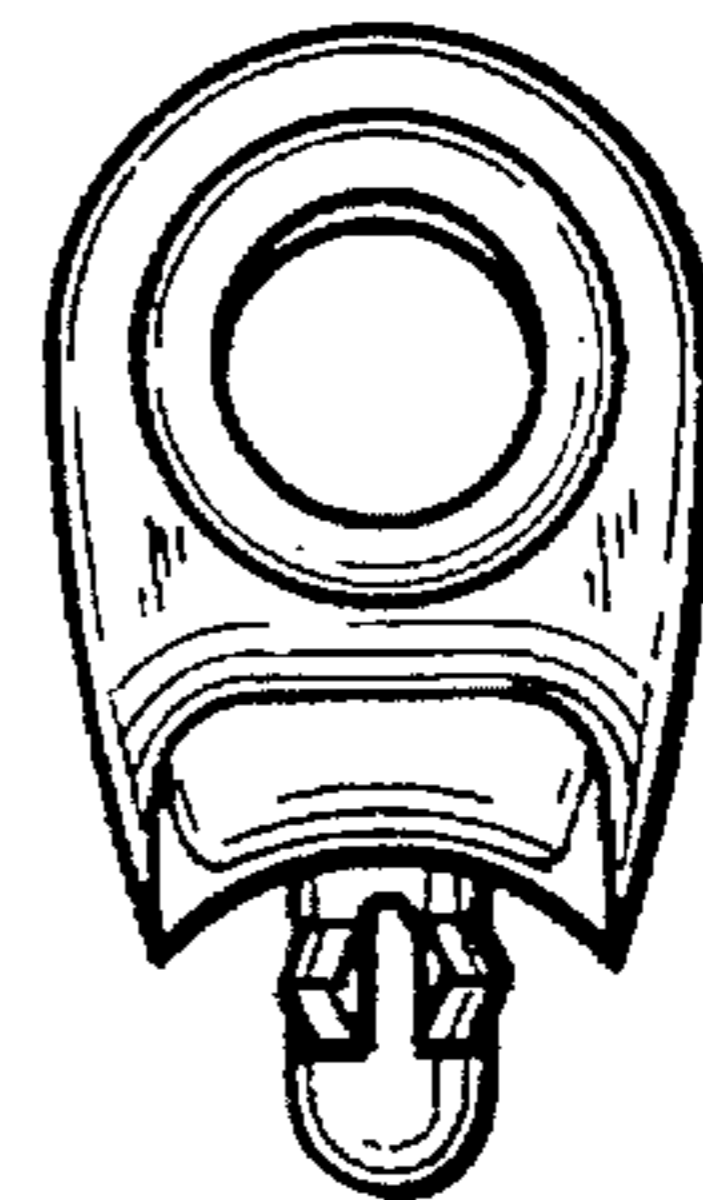


Fig. 7

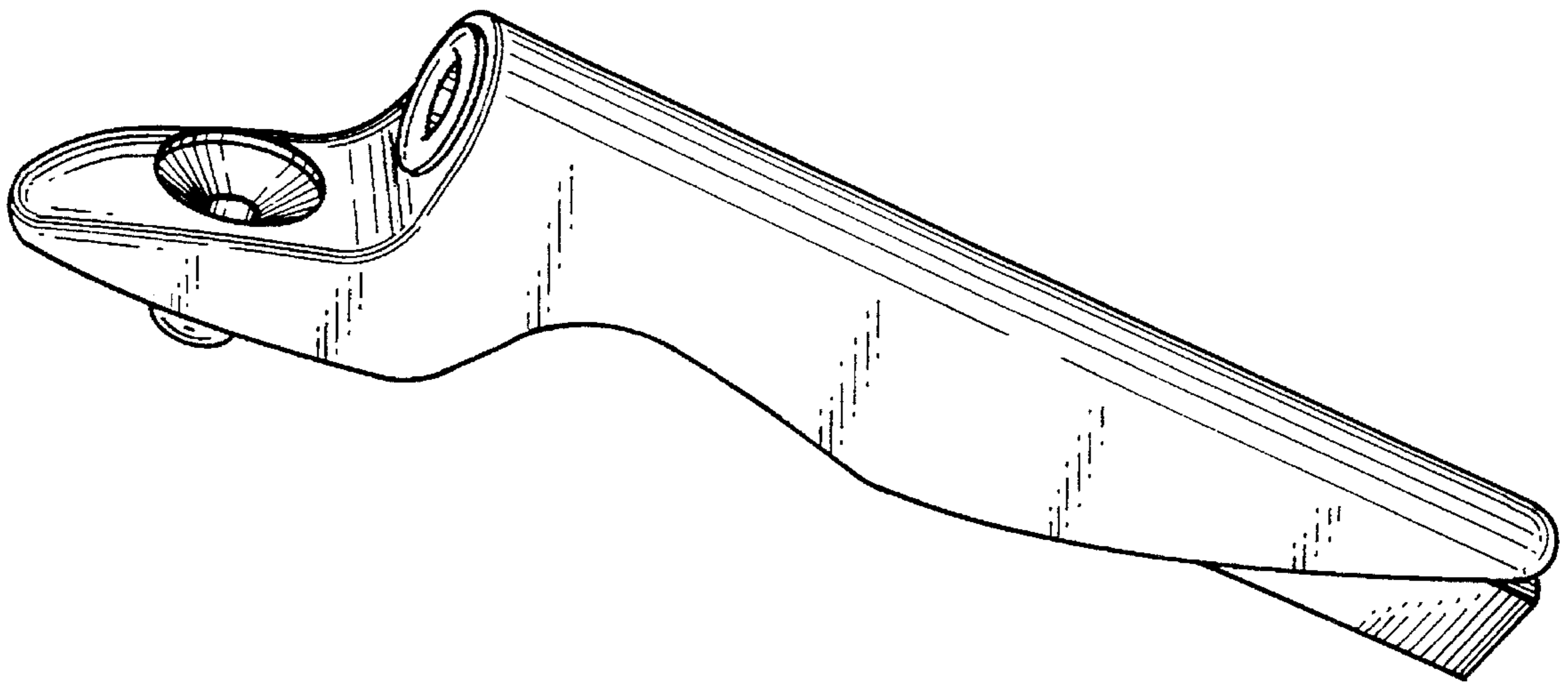


Fig. 8

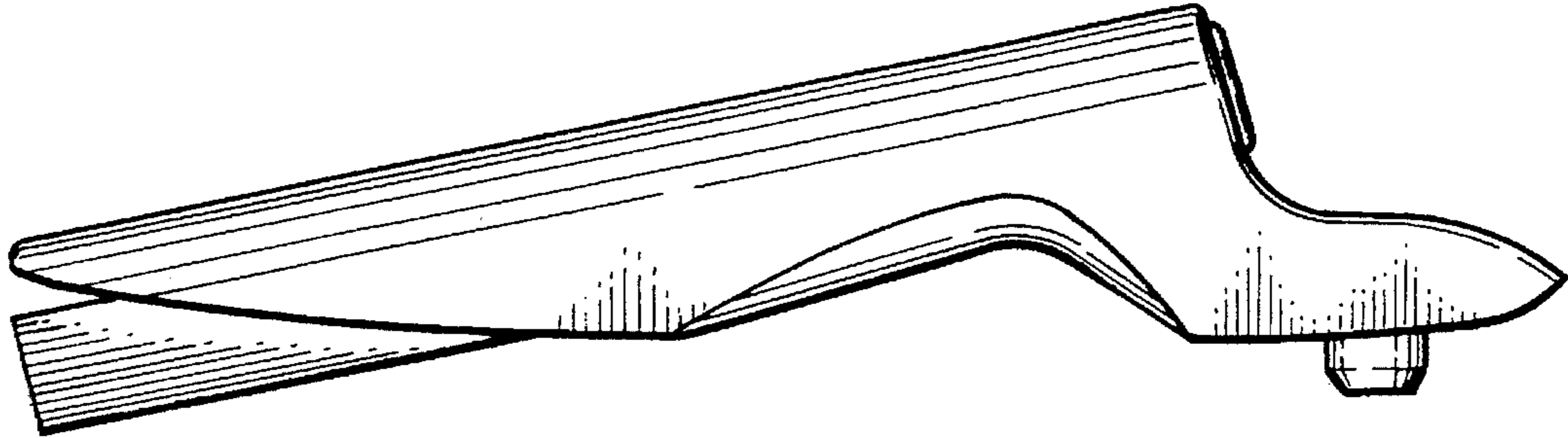


Fig. 9

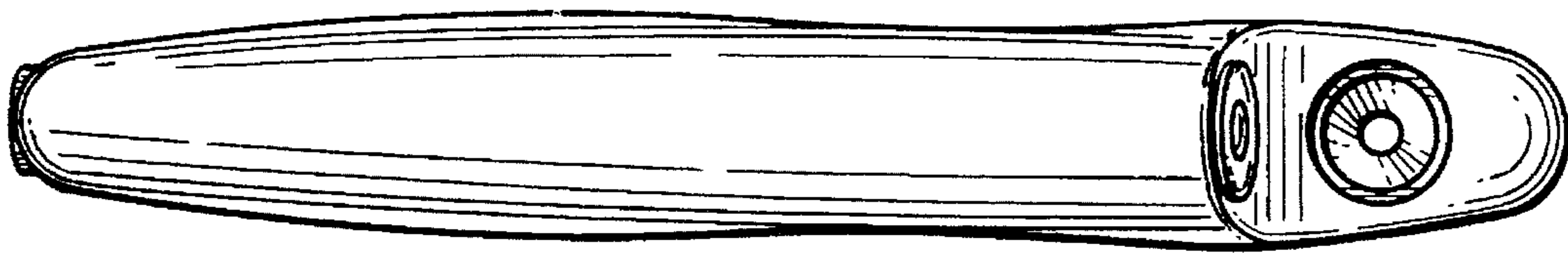


Fig. 10

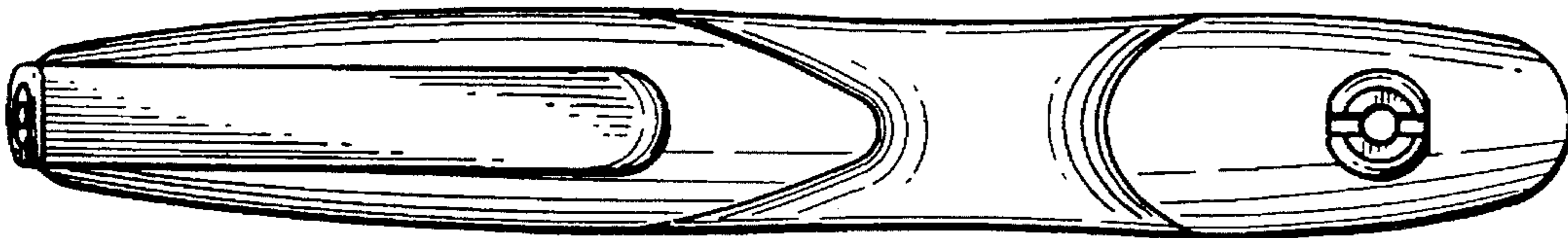


Fig. 11

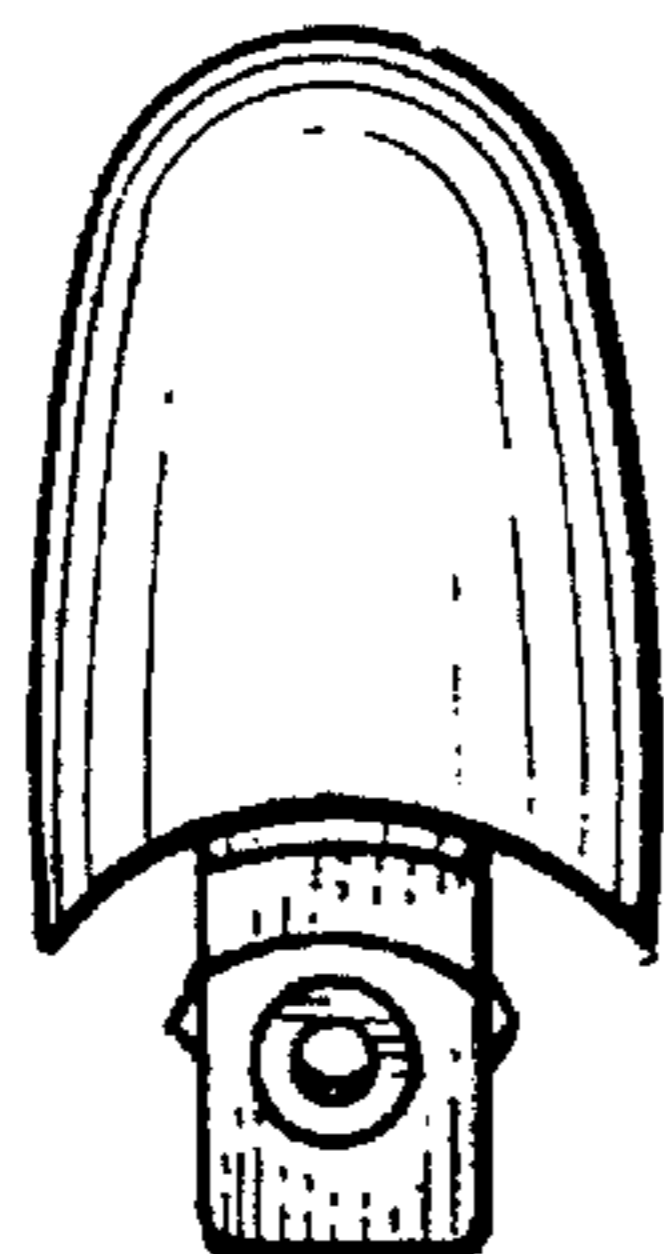


Fig. 12

