



US00D368295S

# United States Patent [19]

[11] Patent Number: **Des. 368,295**

**Mata**

[45] Date of Patent: **\*\*Mar. 26, 1996**

[54] **FISHING ROD TIP**

FOREIGN PATENT DOCUMENTS

[76] Inventor: **Rolando P. Mata**, 1305 Road 42,  
Pasco, Wash. 99301

1366213 6/1964 France ..... 43/24  
63215 8/1968 Germany ..... 43/24

[\*\*] Term: **14 Years**

OTHER PUBLICATIONS

[21] Appl. No.: **28,552**

Old Fishing Lures and Tackle #3 by C. F. Luckey ©1991, p. 68, Casting Tips, bottom of page.

[22] Filed: **Sep. 19, 1994**

*Primary Examiner*—Doris V. Coles  
*Attorney, Agent, or Firm*—Richard C. Litman

[52] U.S. Cl. .... **D22/143**

[58] Field of Search ..... D22/143, 142;  
43/24; 242/157 R, 157.1

[57] **CLAIM**

[56] **References Cited**

The ornamental design for a fishing rod tip, as shown and described.

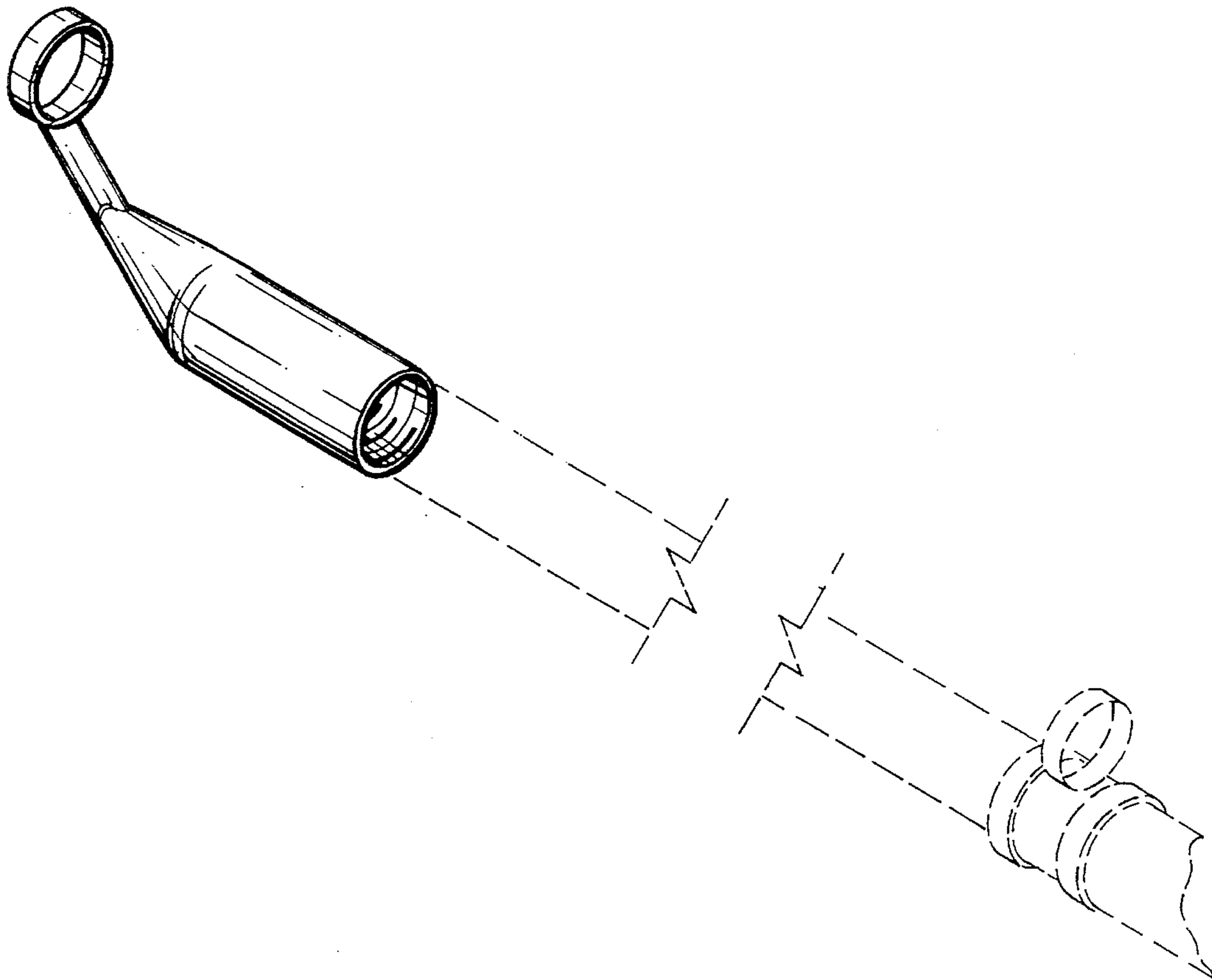
U.S. PATENT DOCUMENTS

**DESCRIPTION**

D. 155,954	11/1949	Wodetzky	.....	D22/143
198,879	1/1878	Fisher	.	
D. 200,780	4/1965	Golec	.....	D22/143
364,350	6/1887	Huth	.	
868,563	10/1907	Holtzmann	.....	43/24
1,149,131	8/1915	Haberl et al.	.	
1,984,349	12/1934	Gurrieri et al.	.....	43/24
2,306,112	12/1942	Touchstone	.....	43/24
2,502,846	4/1950	Hoffman	.....	43/24
2,792,660	5/1957	Jennette	.....	43/24
3,171,228	3/1965	Cwik	.....	43/24
4,196,537	4/1980	Ohmura	.....	43/24
4,697,375	10/1987	Mills	.....	43/24 X
4,860,485	8/1989	Rhoton et al.	.....	43/24
4,893,429	1/1990	Yamoto	.....	43/24
5,276,991	1/1994	Stotesbury et al.	.....	43/24

FIG. 1 is an environmental perspective view of a fishing rod tip showing my new design;  
FIG. 2 is a top plan view thereof;  
FIG. 3 is a bottom plan view thereof;  
FIG. 4 is a front elevational view thereof;  
FIG. 5 is a left side elevational view with the right side being a mirror image thereof; and,  
FIG. 6 is a rear elevational view thereof.  
The broken line showing of a portion of a fishing rod is for illustrative purposes only and forms no part of the claimed design.

**1 Claim, 1 Drawing Sheet**



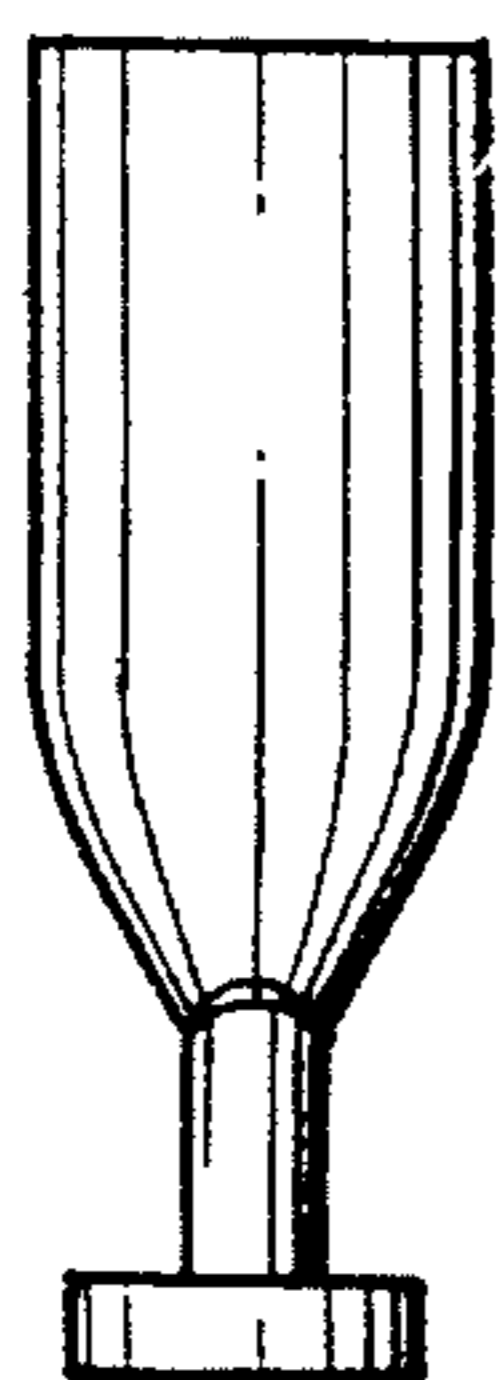
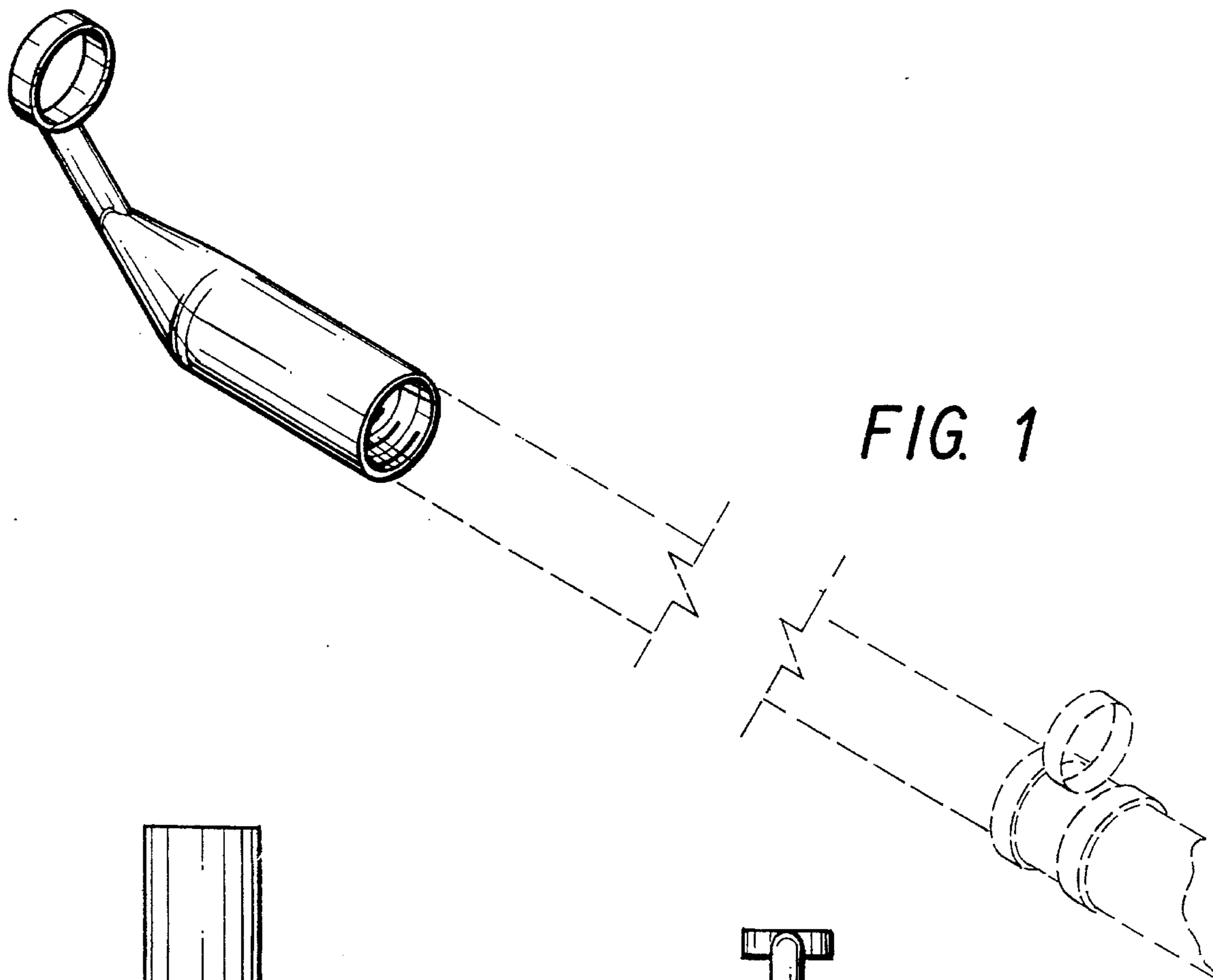


FIG. 2

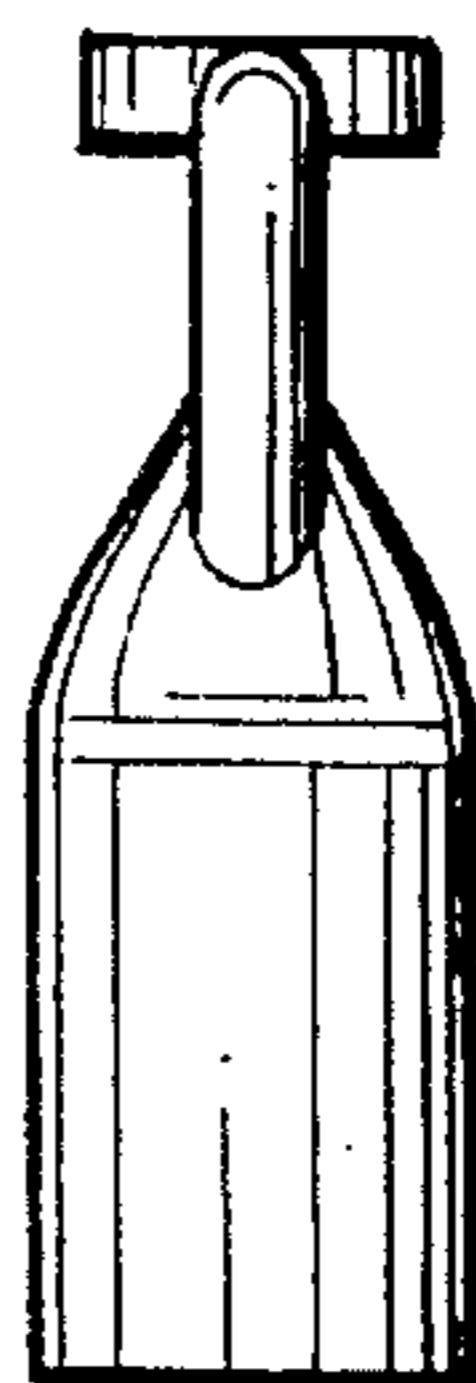


FIG. 3

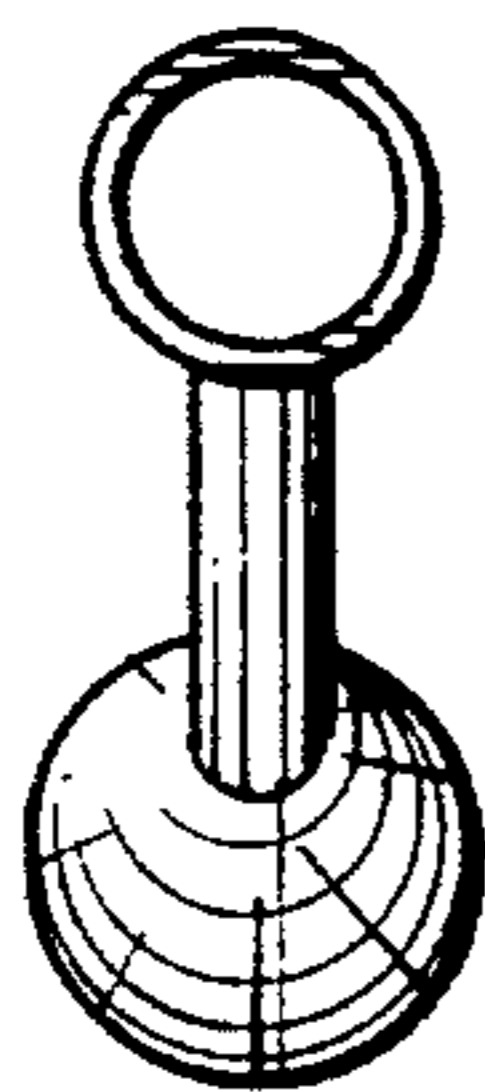


FIG. 4

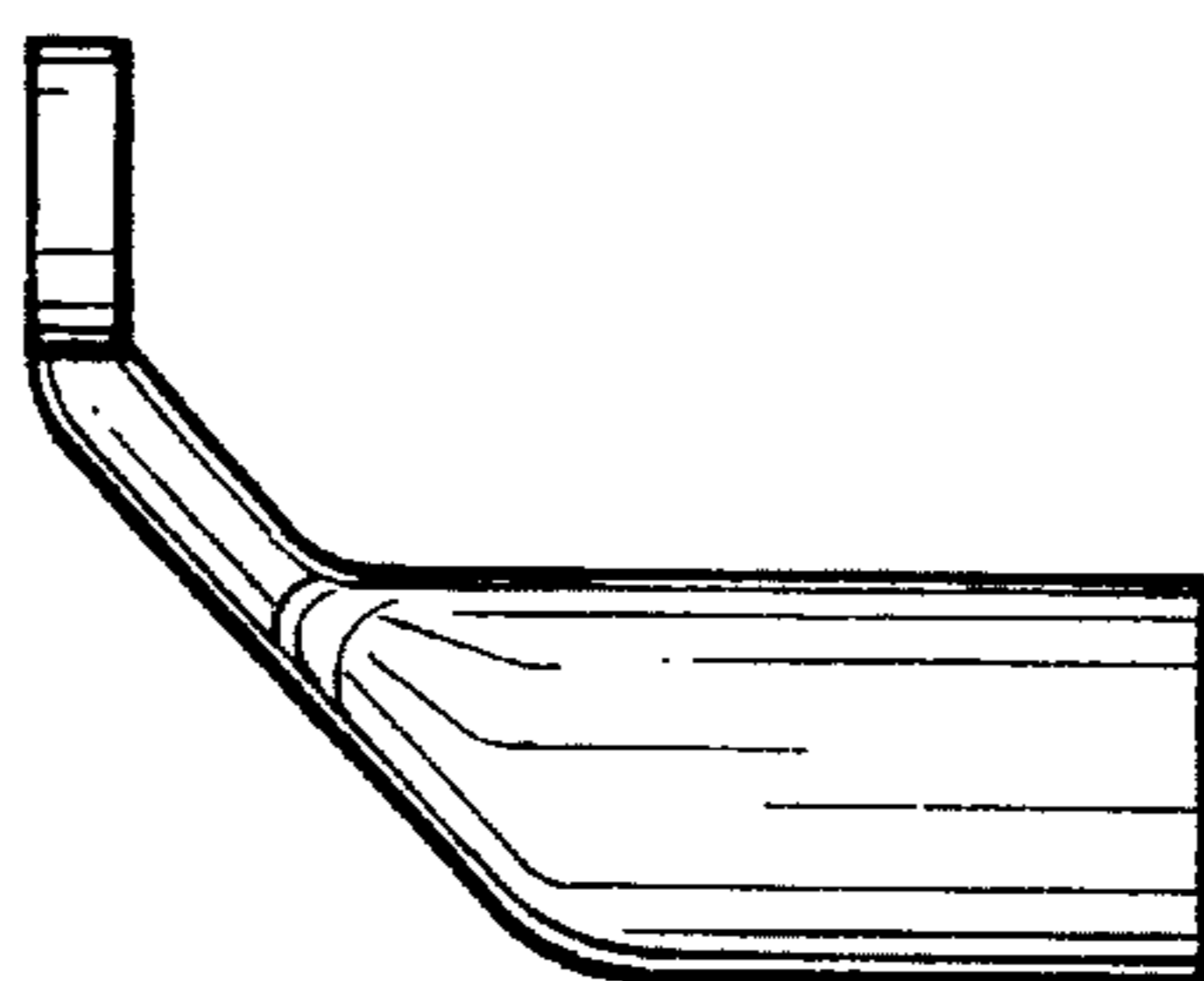


FIG. 5



FIG. 6