



US00D368293S

**United States Patent** [19]  
**Barrett**

[11] **Patent Number: Des. 368,293**  
[45] **Date of Patent: \*\*Mar. 26, 1996**

[54] **BOWLING SCORING CONSOLE**  
[75] Inventor: **Shawn O. Barrett**, Grayslake, Ill.  
[73] Assignee: **Brunswick Bowling & Billiards Corporation**, Muskegon, Mich.  
[\*\*] Term: **14 Years**  
[21] Appl. No.: **28,553**  
[22] Filed: **Sep. 19, 1994**  
[52] **U.S. Cl.** ..... **D21/233; D10/46.1**  
[58] **Field of Search** ..... **D21/233; D10/46.1; 473/54, 55, 67, 70, 71, 115; 116/222-225; D6/397, 419, 420, 610, 486, 495; 353/45**

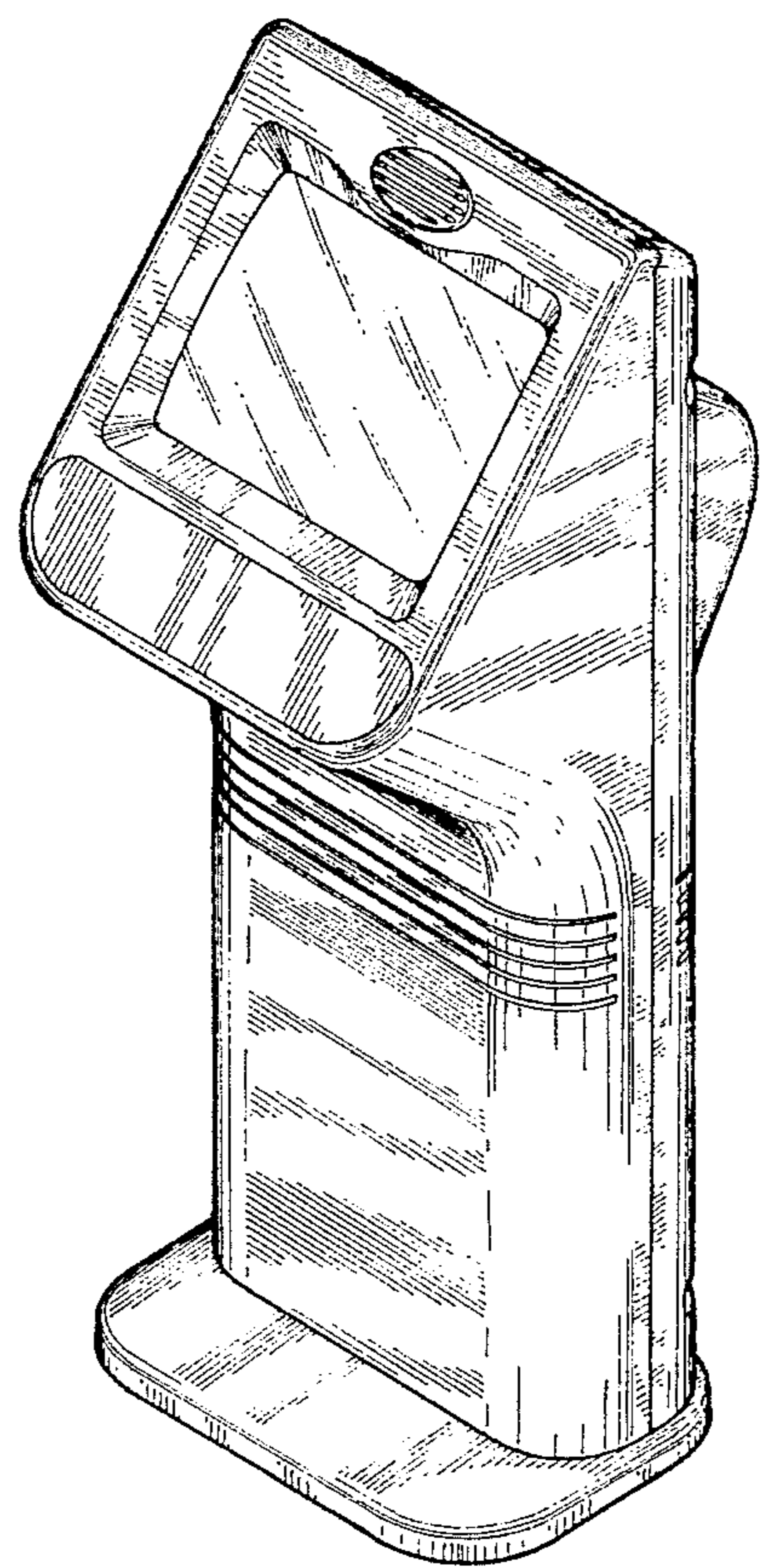
[56] **References Cited**  
**U.S. PATENT DOCUMENTS**  
D. 190,659 6/1961 Lapitsky ..... D10/46.1 X  
D. 210,035 1/1968 Schaefer ..... D10/46.1  
D. 235,360 6/1975 Brucker ..... D6/397  
D. 356,962 4/1995 Barrett et al. .... D21/233 X  
3,043,593 7/1962 Koci ..... 473/87  
3,433,429 3/1969 Huck et al. .... 473/71  
4,136,870 1/1979 Kinser ..... 473/67

**OTHER PUBLICATIONS**  
Brunswick BowlerVision System, Copyright 1991.  
*Primary Examiner*—Prabhakar G. Deshmukh  
*Attorney, Agent, or Firm*—Price, Heneveld, Cooper, DeWitt & Litton

[57] **CLAIM**  
The ornamental design for the bowling scoring console, as shown and described.

**DESCRIPTION**  
FIG. 1 is a front perspective view of a bowling scoring console showing my new design;  
FIG. 2 is a rear perspective view thereof;  
FIG. 3 is a front elevational view thereof;  
FIG. 4 is a right side elevational view thereof; the left side elevational view being a mirror image thereof;  
FIG. 5 is a rear elevational view thereof;  
FIG. 6 is a top plan view thereof;  
FIG. 7 is a front perspective view of a second embodiment of FIG. 1;  
FIG. 8 is a rear perspective view of FIG. 7;  
FIG. 9 is a front elevational view of FIG. 7;  
FIG. 10 is a right side elevational view of FIG. 7; the left side elevational view being a mirror image thereof; and,  
FIG. 11 is a top plan view of FIG. 7.  
The bottom of both embodiments is plain and unornamented.

1 Claim, 8 Drawing Sheets



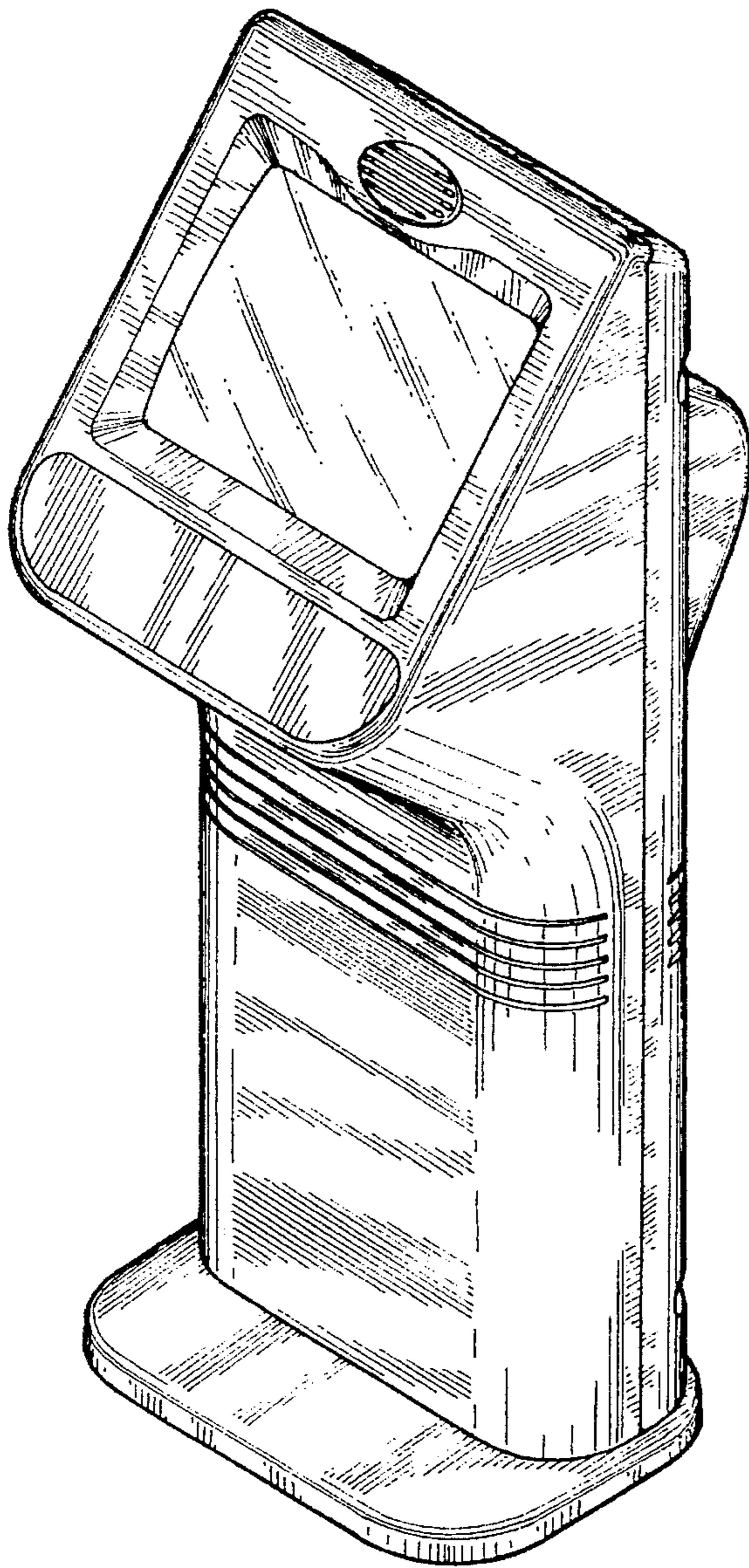


FIG. 1

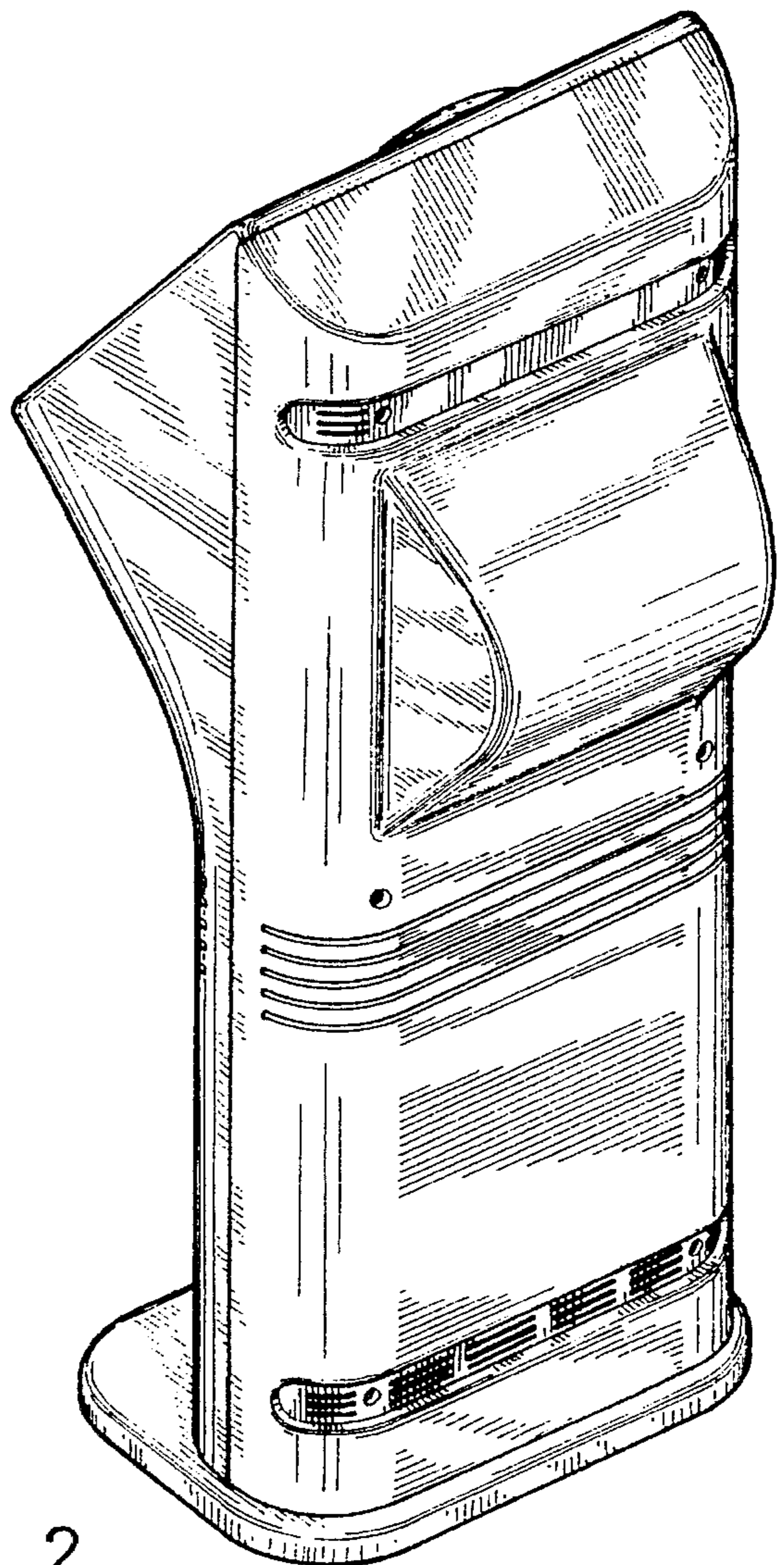


FIG. 2

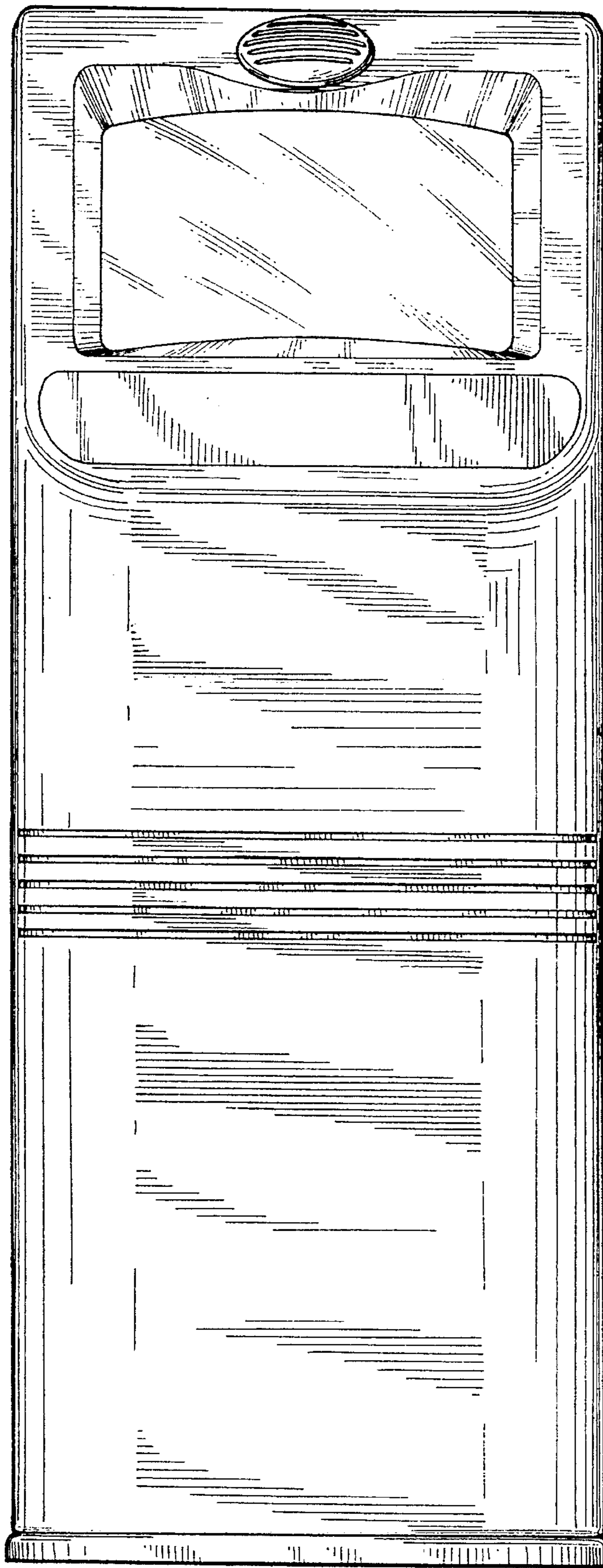


FIG. 3

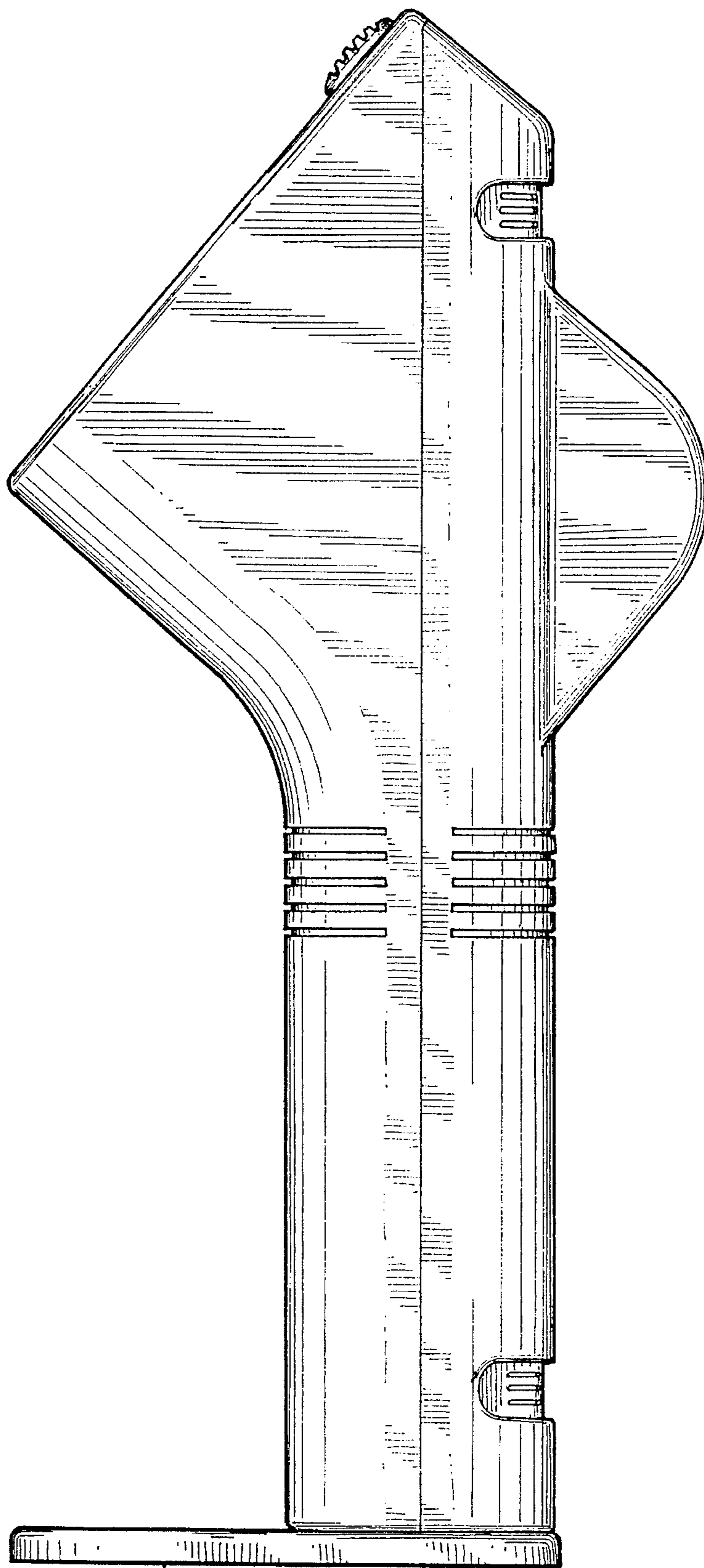


FIG. 4

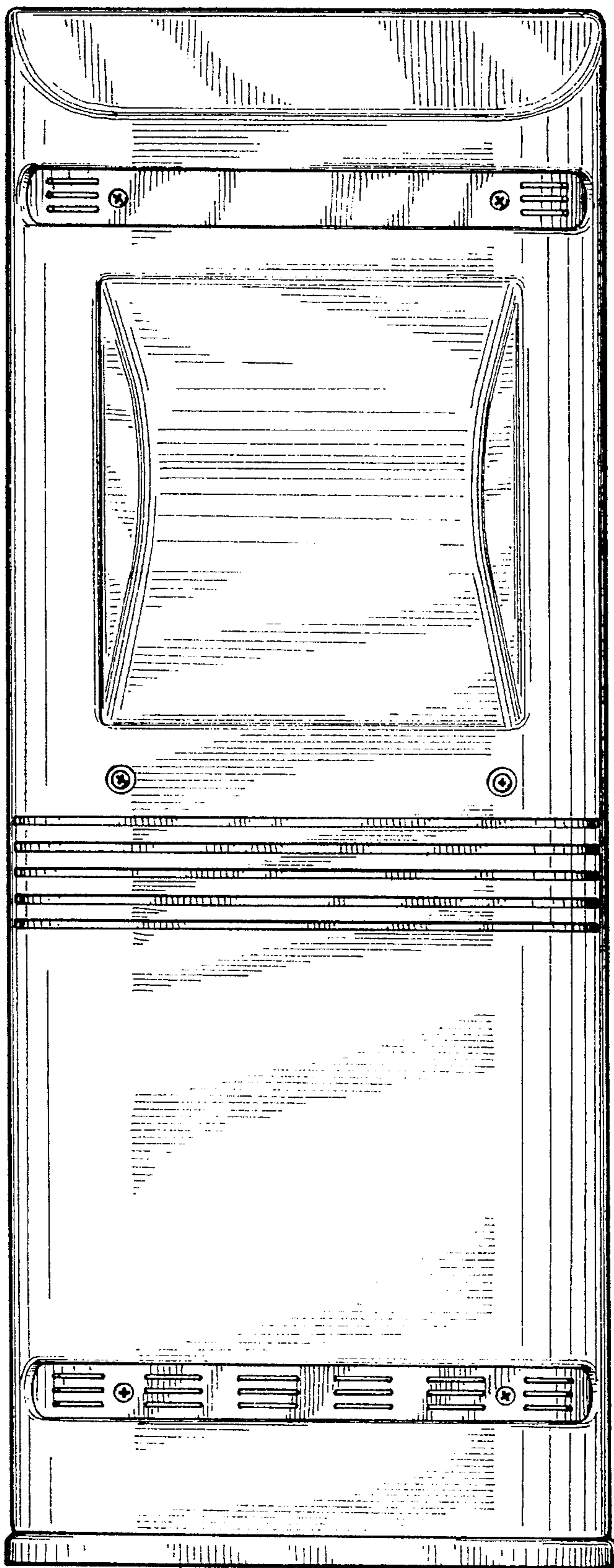


FIG. 5

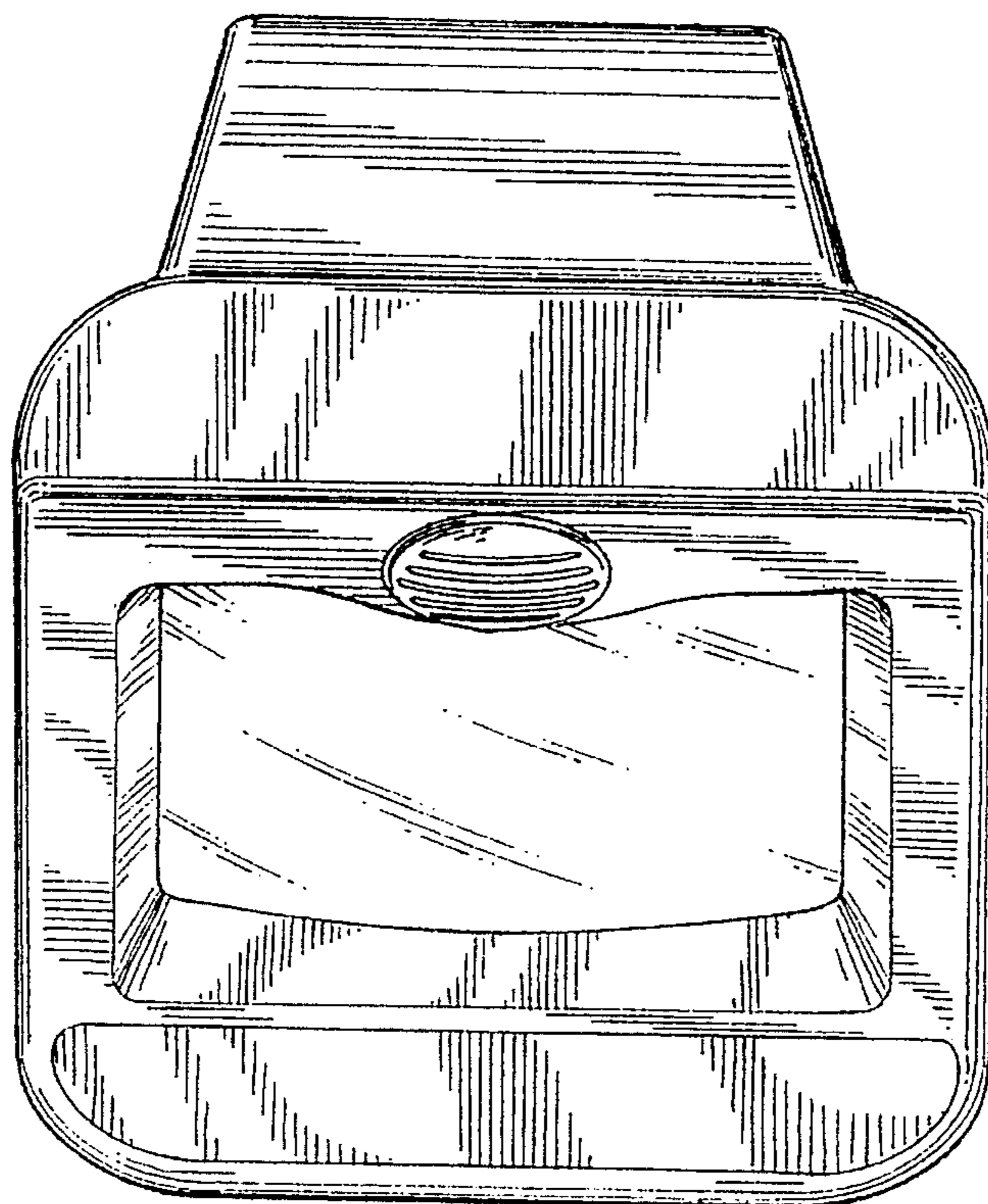


FIG. 6

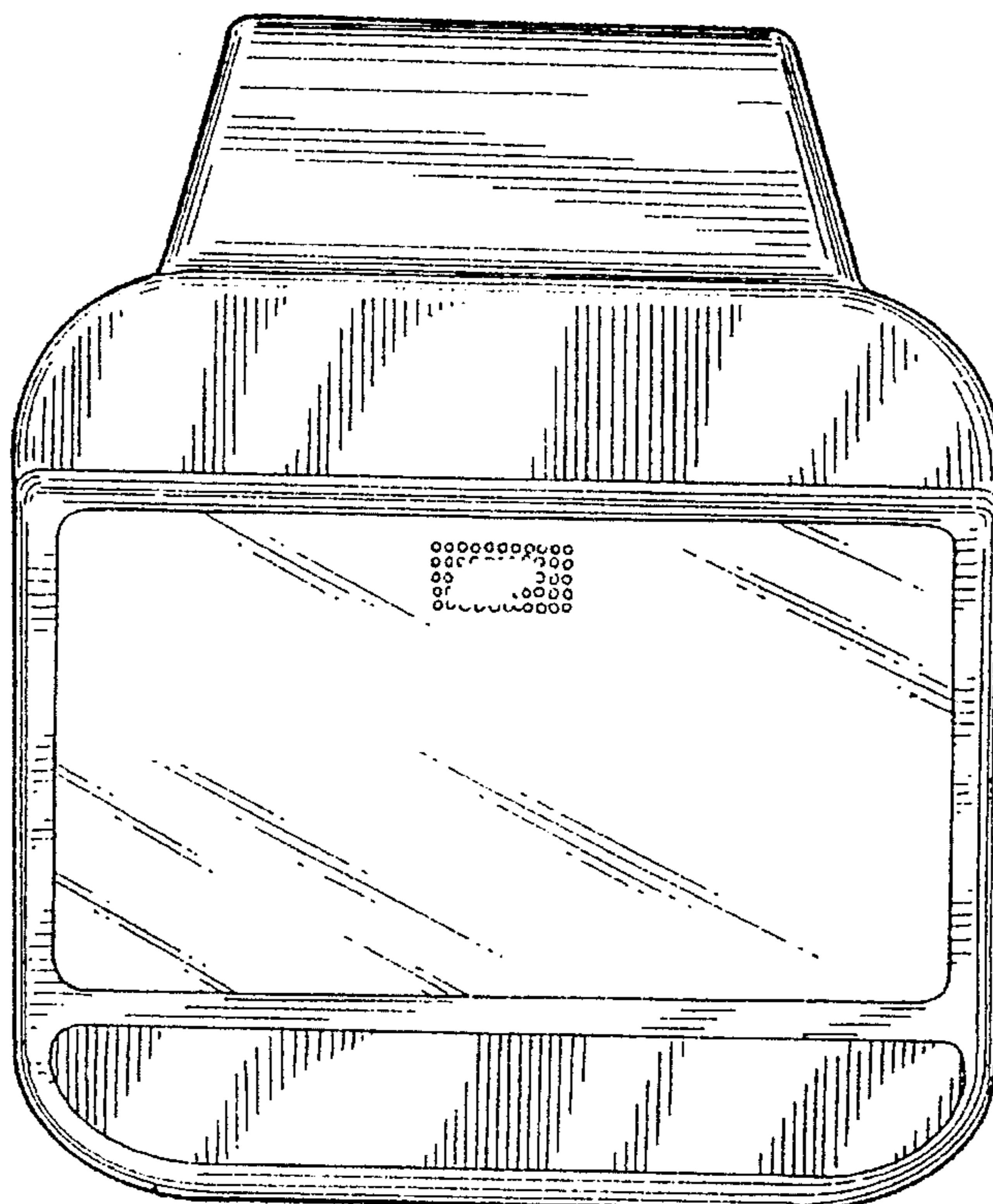


FIG. 11

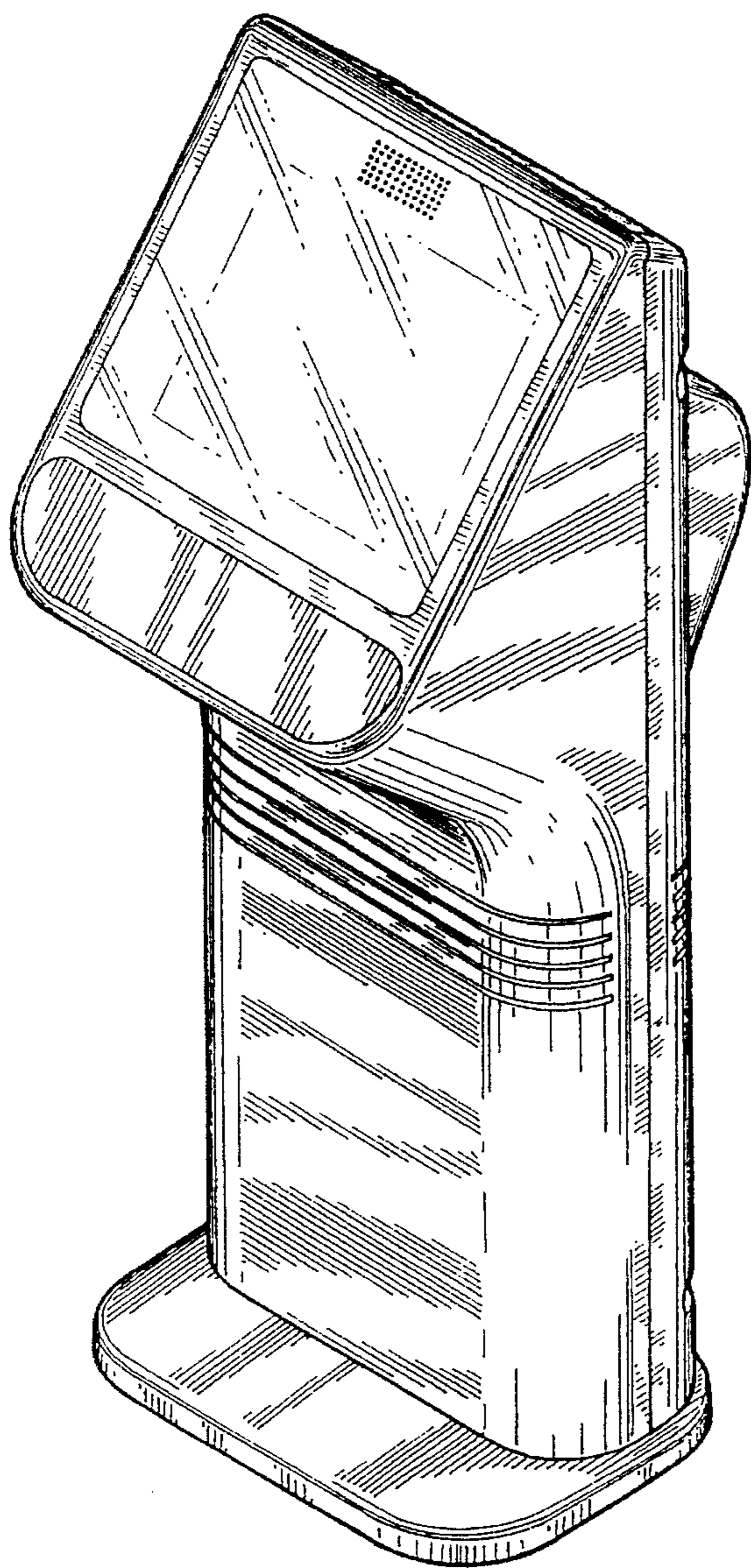


FIG. 7

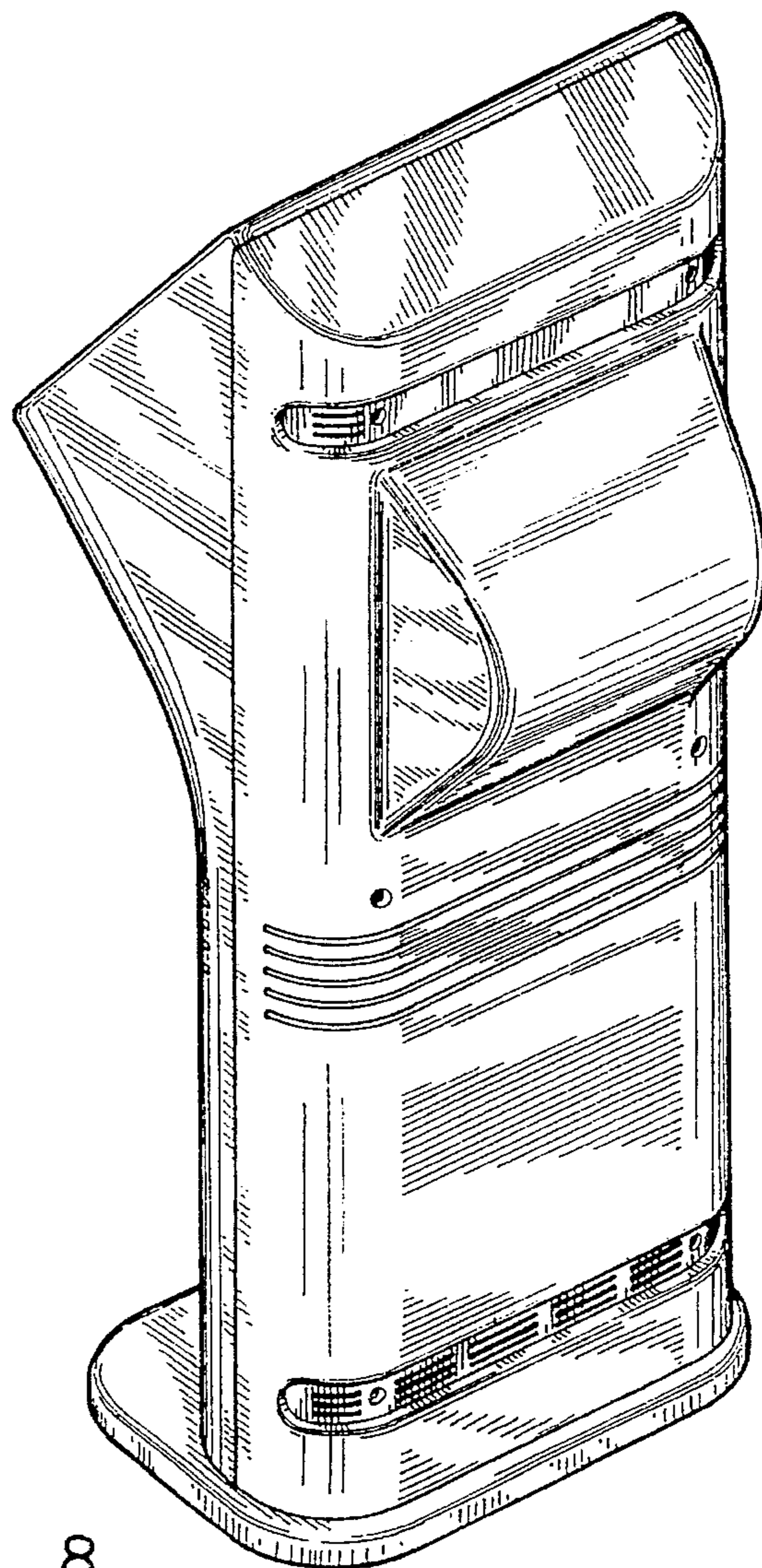


FIG. 8

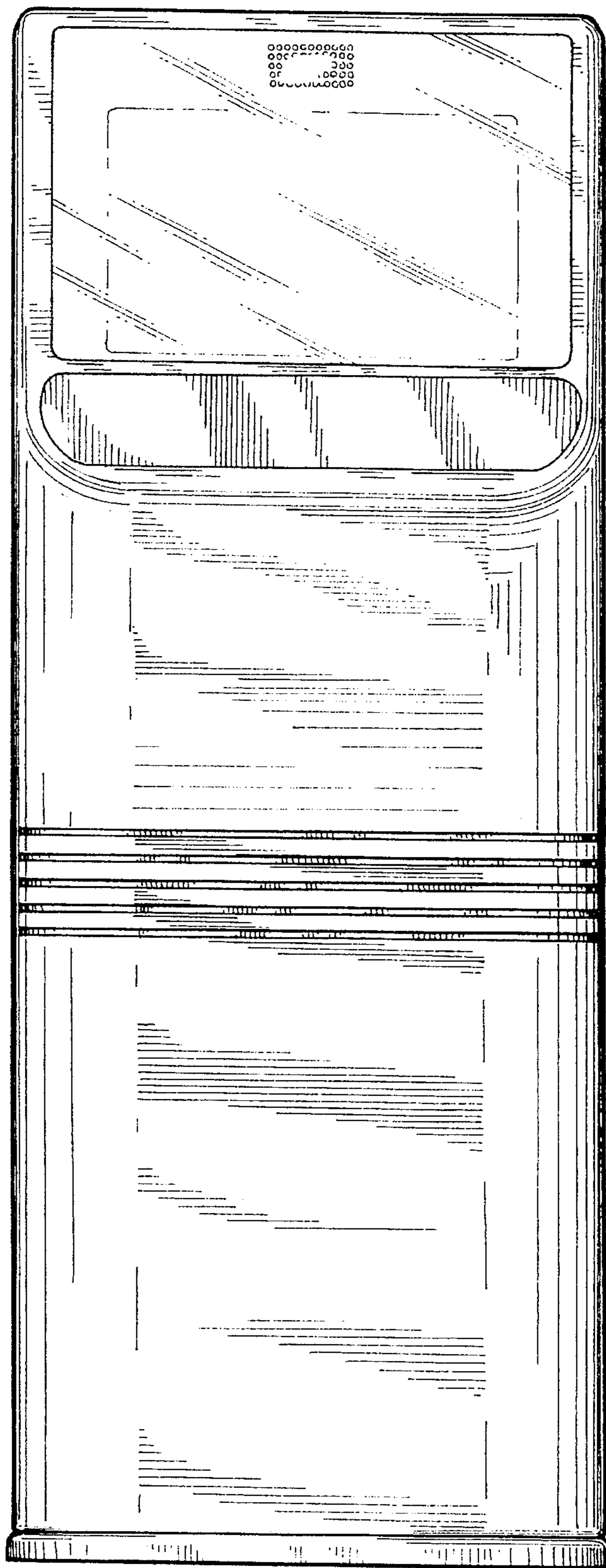


FIG. 9



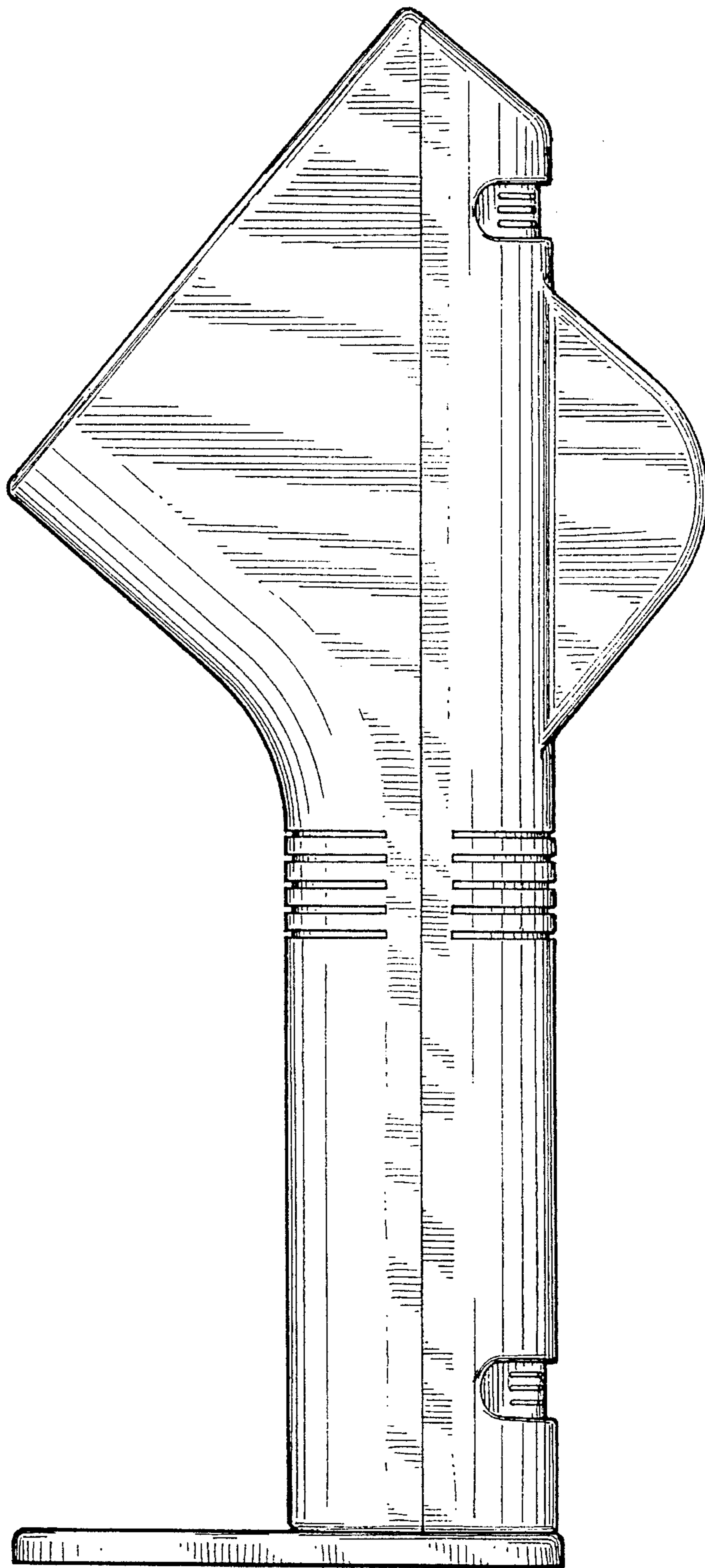


FIG. 10