



US00D368292S

**United States Patent** [19]  
**Willoughby**

[11] **Patent Number: Des. 368,292**

[45] **Date of Patent: \*\*Mar. 26, 1996**

[54] **GOLF CLUB PUTTER HEAD**

[76] Inventor: **Timothy B. Willoughby**, 754 Balroyal Ct., Indianapolis, Ind. 46234

[\*\*] Term: **14 Years**

[21] Appl. No.: **29,848**

[22] Filed: **Oct. 18, 1994**

[52] U.S. Cl. .... **D21/218; D21/219**

[58] Field of Search ..... **D21/217-219; 273/167-175**

[56] **References Cited**

**U.S. PATENT DOCUMENTS**

D. 255,477	6/1980	Gida .....	D21/218
D. 264,367	5/1982	Gida .....	D21/218
4,508,342	4/1985	Drake .....	273/168 X
4,872,684	10/1989	Dippel .....	273/167 B X
5,090,698	2/1992	Kleinfelter .....	273/167 C X

**OTHER PUBLICATIONS**

Golf Digest; Dec. 1978; p. 139; putter, upper left of page.

*Primary Examiner*—Terry A. Wallace

*Assistant Examiner*—Mitchell I. Siegel

*Attorney, Agent, or Firm*—R. Steven Linne; Ice, Miller, Donadio & Ryan

[57] **CLAIM**

The ornamental design for a golf club putter head, as shown and described.

**DESCRIPTION**

FIG. 1 is a perspective view of the golf club putter head of my design;

FIG. 2 is a front elevational view;

FIG. 3 is a left end elevational view;

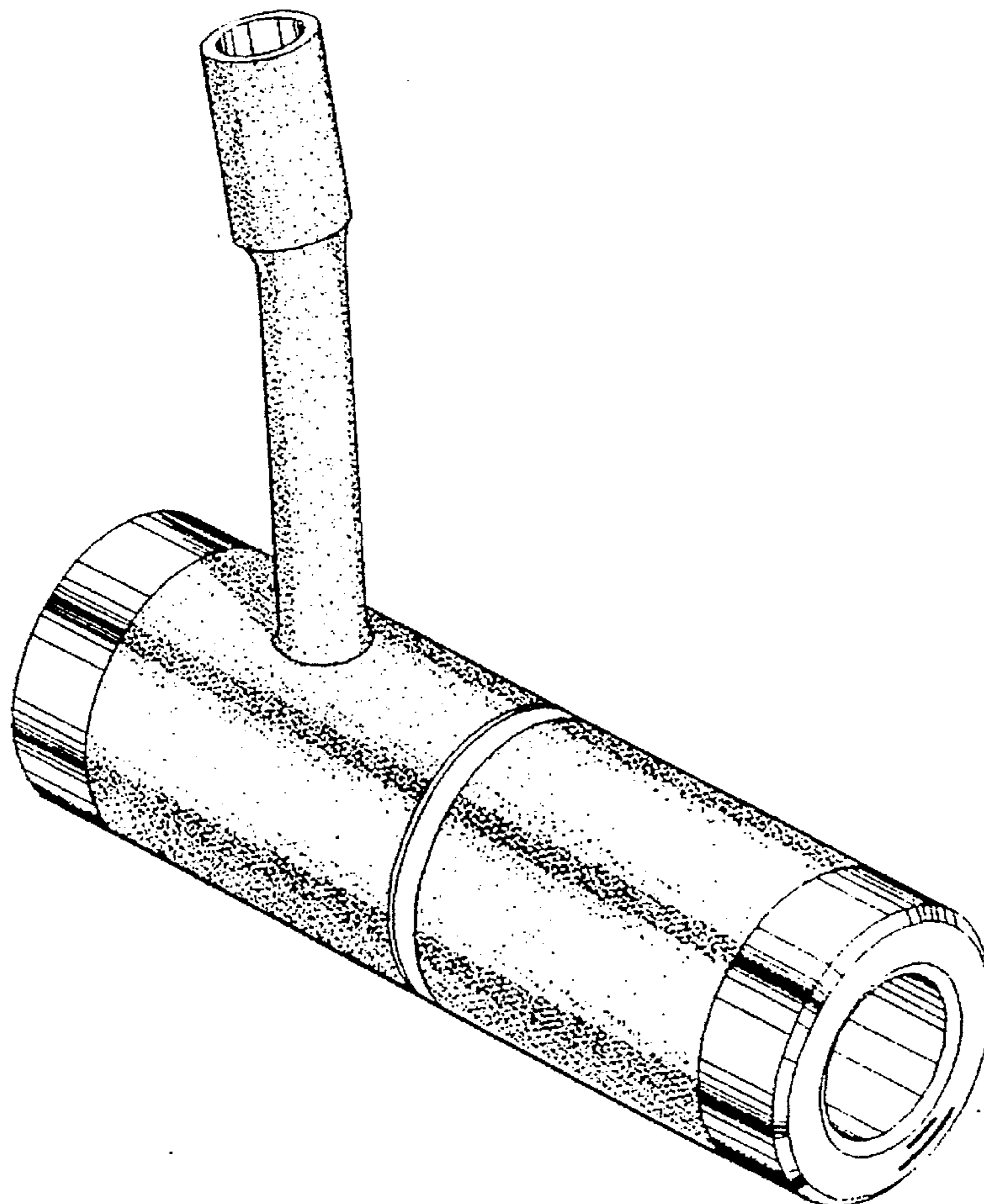
FIG. 4 is a right end elevational view;

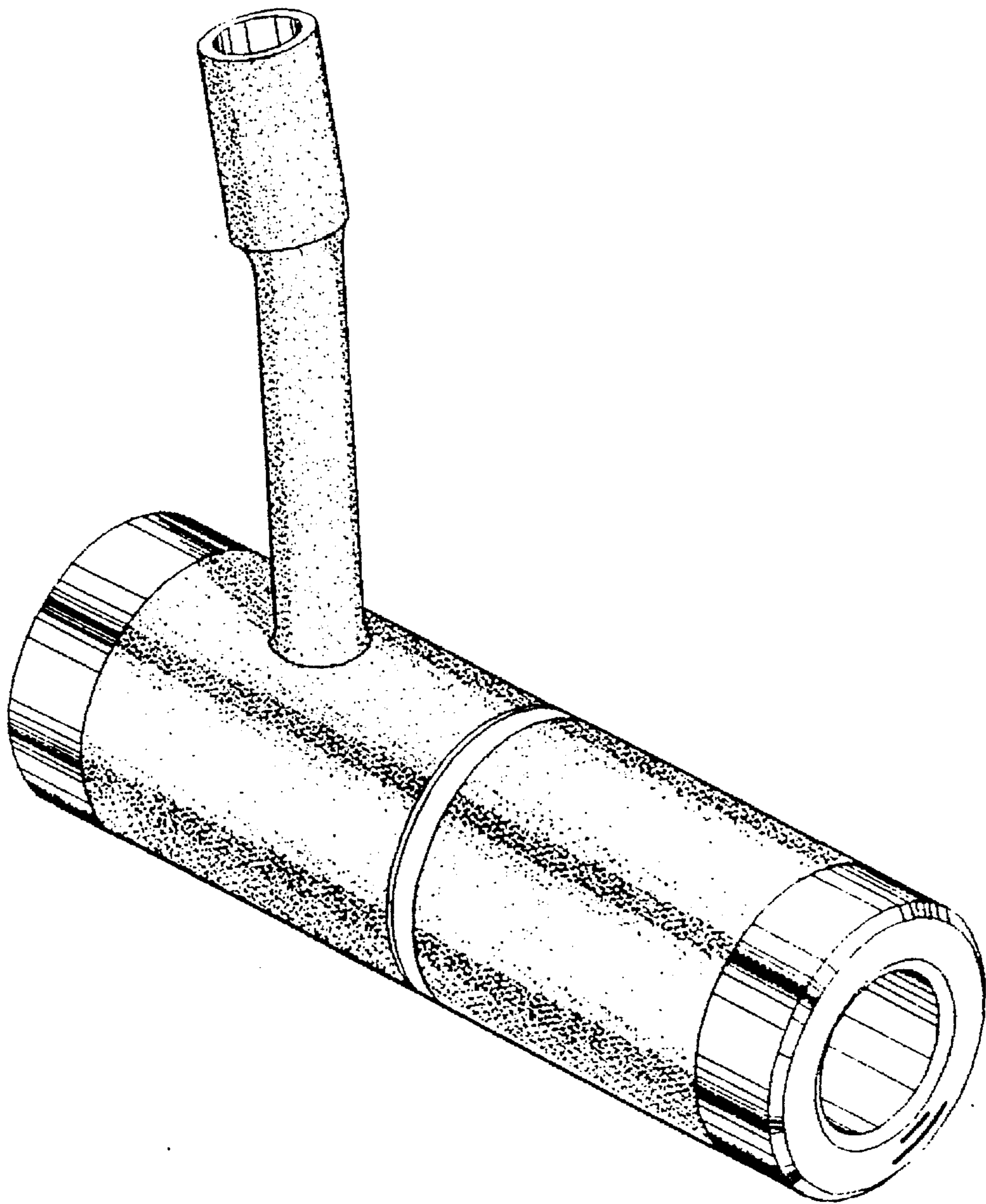
FIG. 5 is a rear elevational view;

FIG. 6 is a top plan view; and,

FIG. 7 is a bottom plan view.

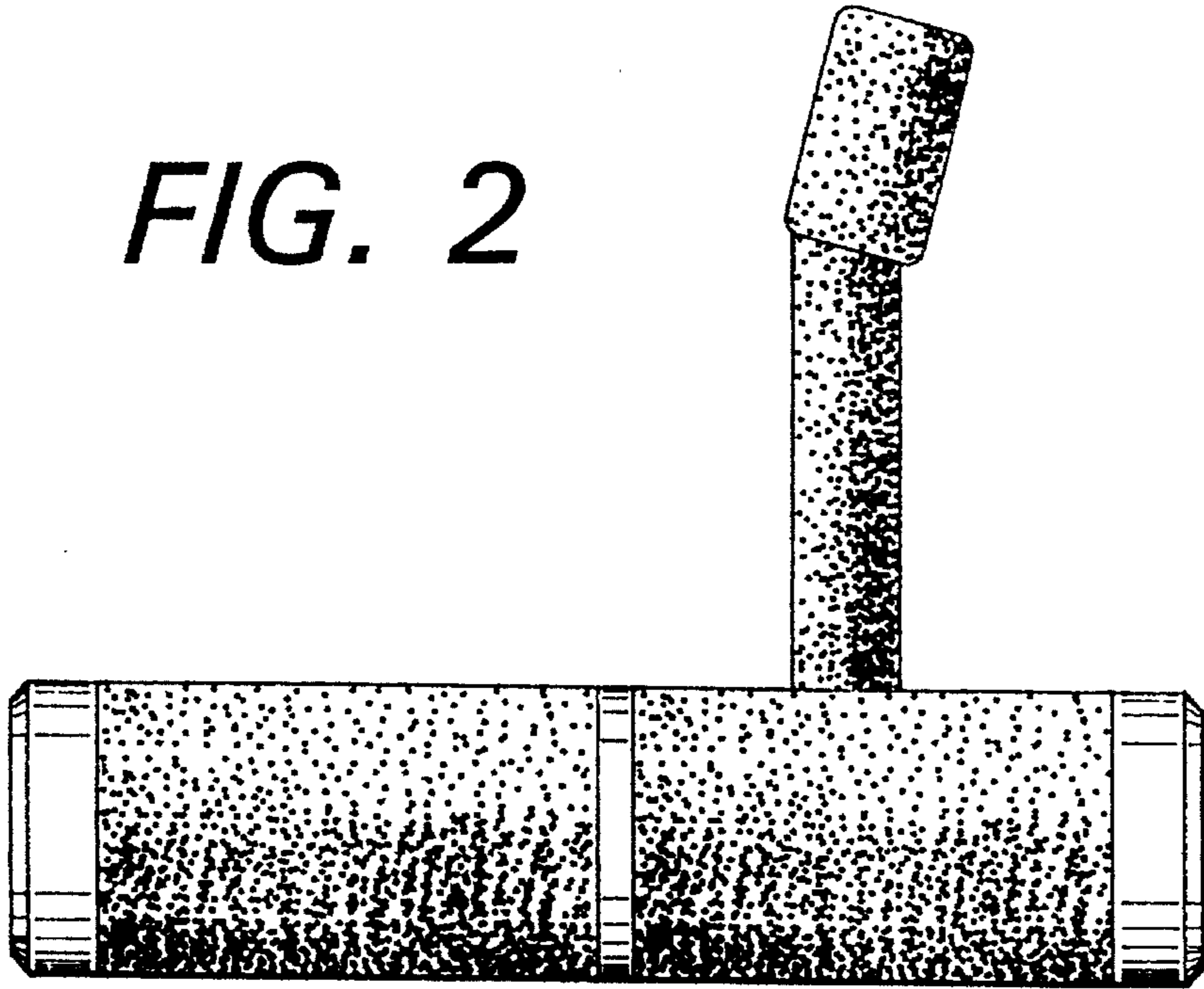
**1 Claim, 3 Drawing Sheets**



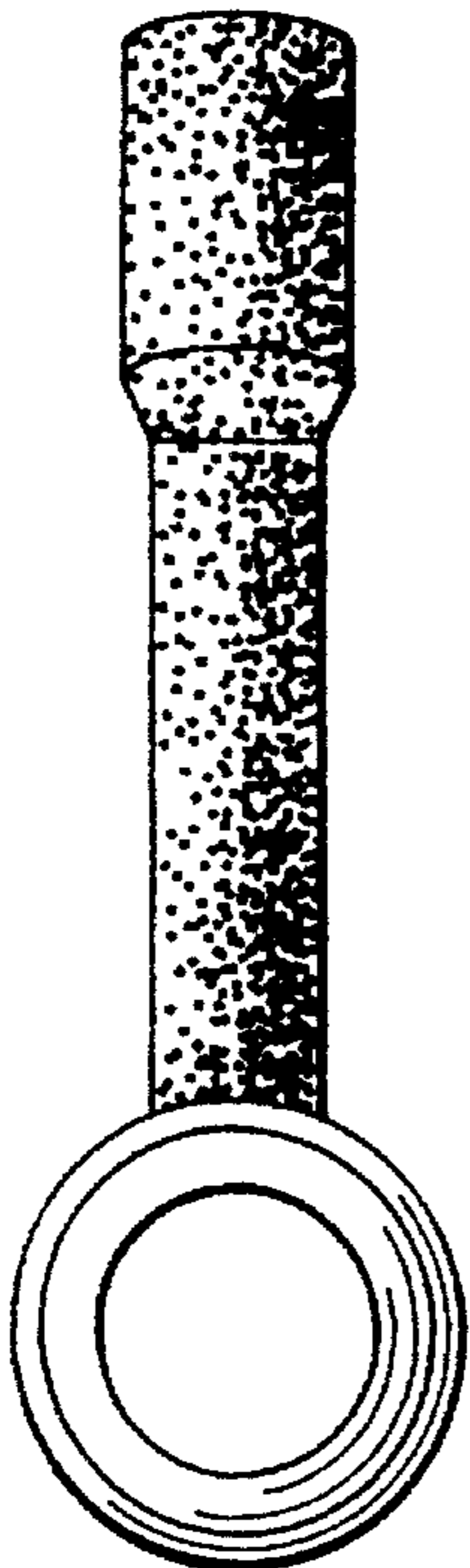


**FIG. 1**

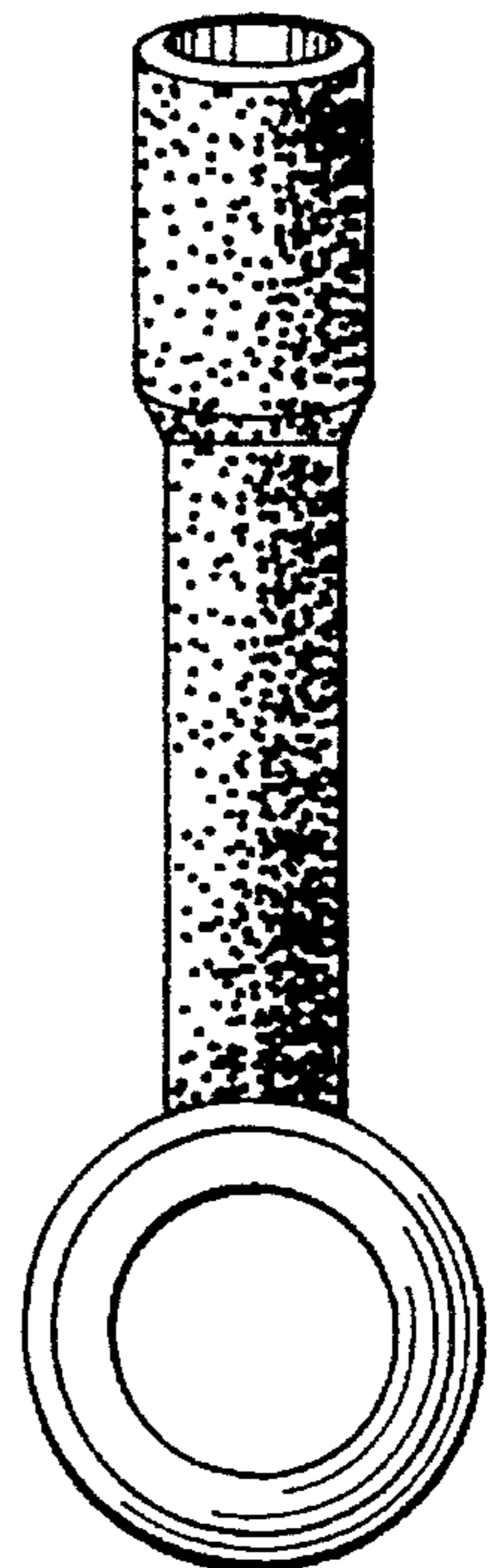
**FIG. 2**

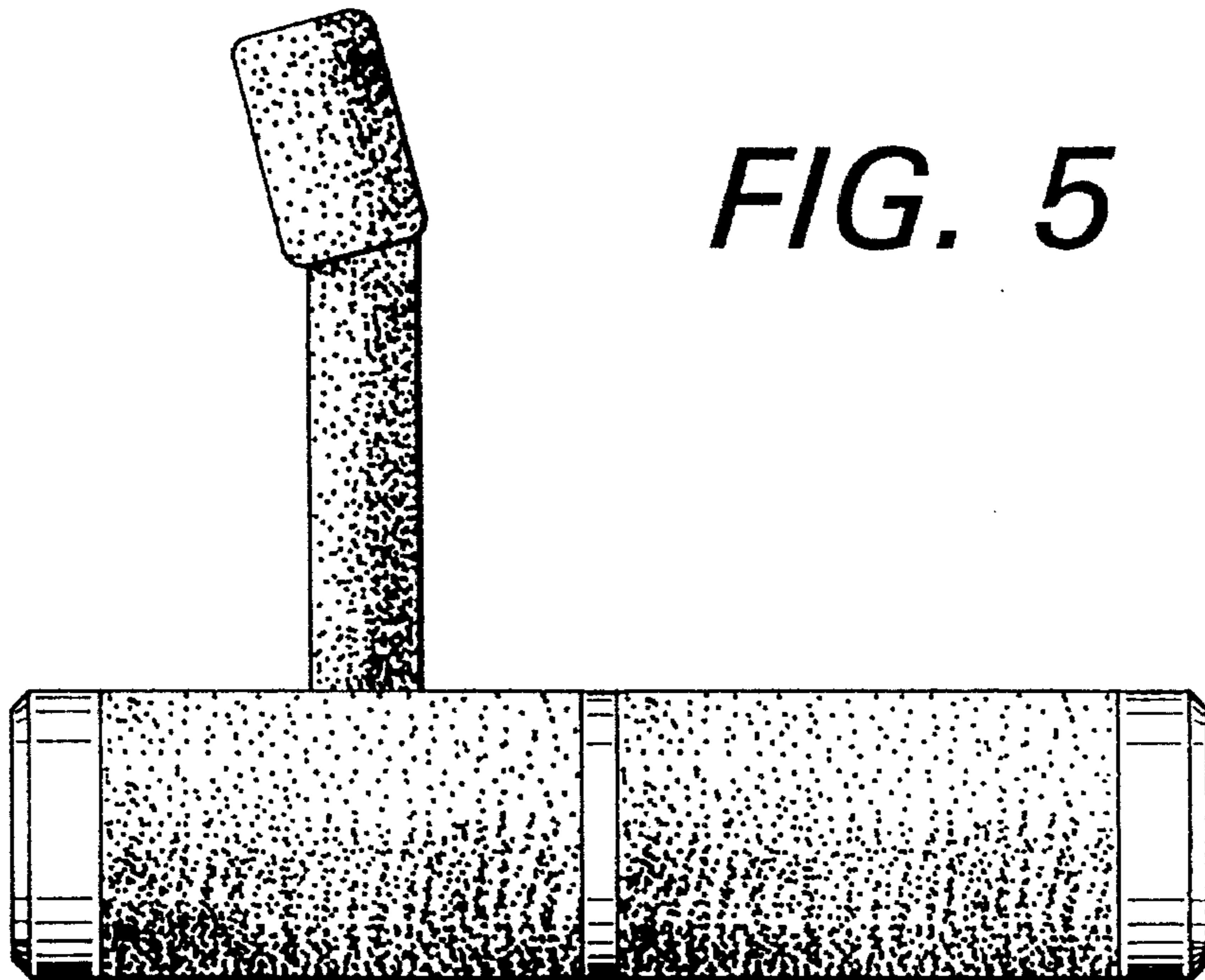


**FIG. 3**

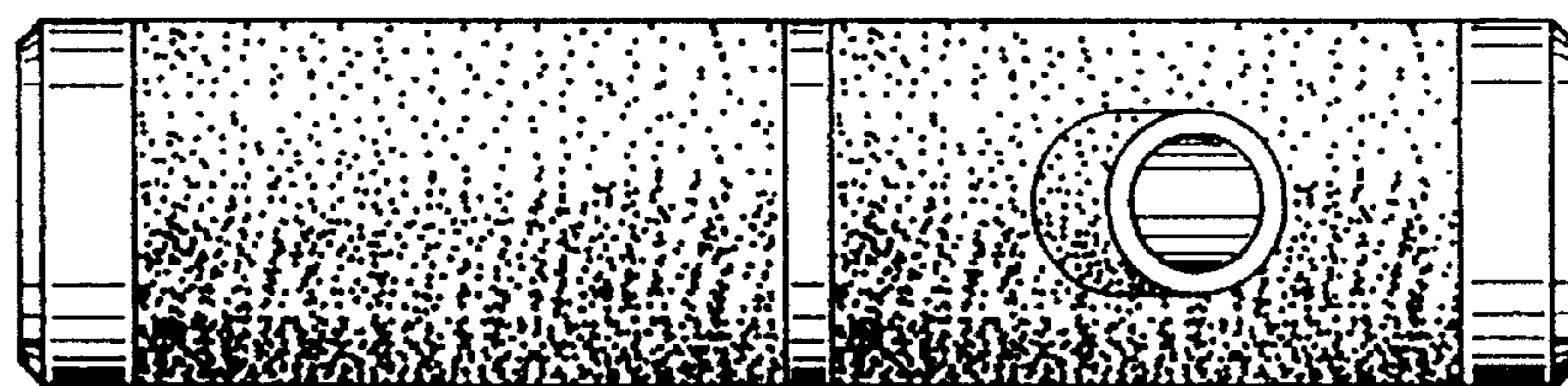


**FIG. 4**

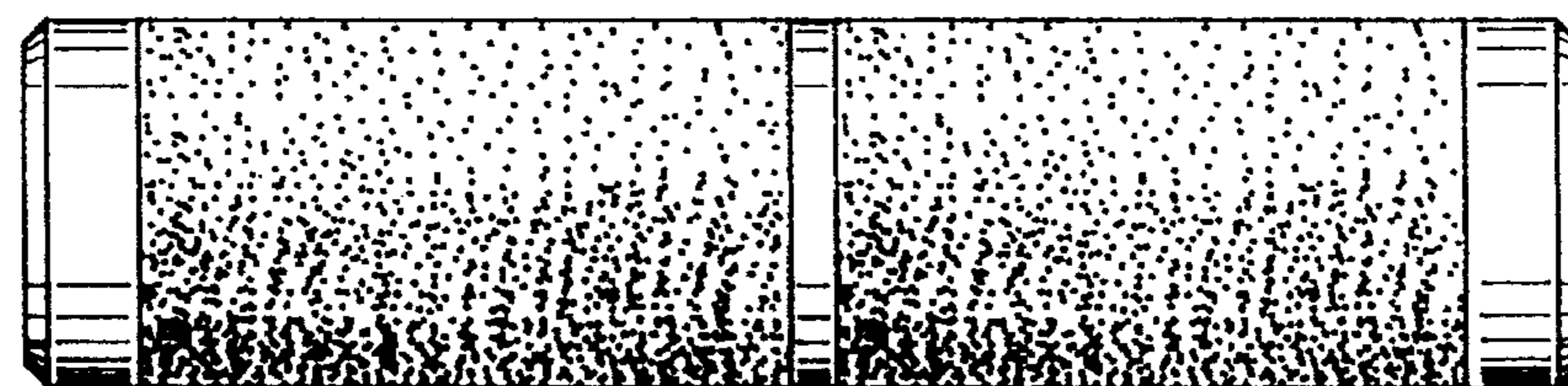




**FIG. 5**



**FIG. 6**



**FIG. 7**