



US00D368289S

# United States Patent [19]

[11] Patent Number: **Des. 368,289**

Cotten

[45] Date of Patent: **\*\*Mar. 26, 1996**

[54] **ORTHOPEDIC BOOT WEIGHT BAR**

*Primary Examiner*—Antoine Duval Davis  
*Attorney, Agent, or Firm*—Harpman & Harpman

[76] Inventor: **Mark Cotten**, P.O. Box 157,  
Washington, Ky. 41096-0157

[57] **CLAIM**

[\*\*] Term: **14 Years**

The ornamental design for an orthopedic boot weight bar, as shown and described.

[21] Appl. No.: **38,169**

### DESCRIPTION

[22] Filed: **Apr. 28, 1995**

[52] U.S. Cl. .... **D21/196**

[58] Field of Search ..... D21/191, 196,  
D21/197; 482/79, 105, 80, 148, 106, 907

FIG. 1 is a front, top and side perspective view of orthopedic boot weight bar showing my new design in its unfastened configuration;

FIG. 2 is a front elevational view thereof;

FIG. 3 is a rear elevational view thereof;

FIG. 4 is a side elevational view thereof;

FIG. 5 is a side elevational view thereof;

FIG. 6 is a top plan view thereof; and,

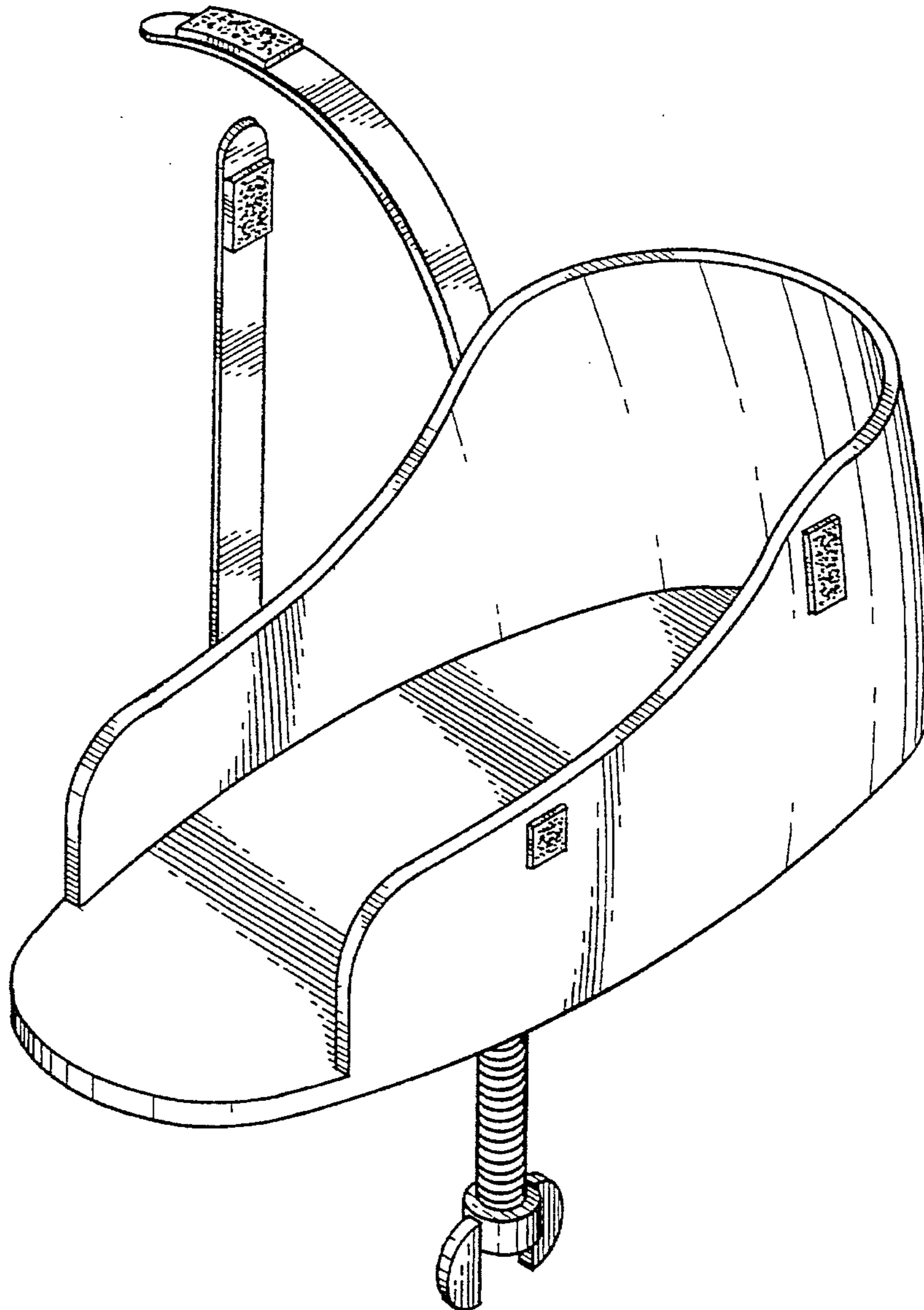
FIG. 7 is a bottom plan view thereof.

[56] **References Cited**

#### U.S. PATENT DOCUMENTS

D. 264,736	6/1982	Wolf .....	D21/196
2,114,790	4/1938	Venables .....	482/105
2,424,159	7/1947	Goetz .....	482/105 X
5,267,927	12/1993	Catanzano et al. ....	482/105

**1 Claim, 4 Drawing Sheets**



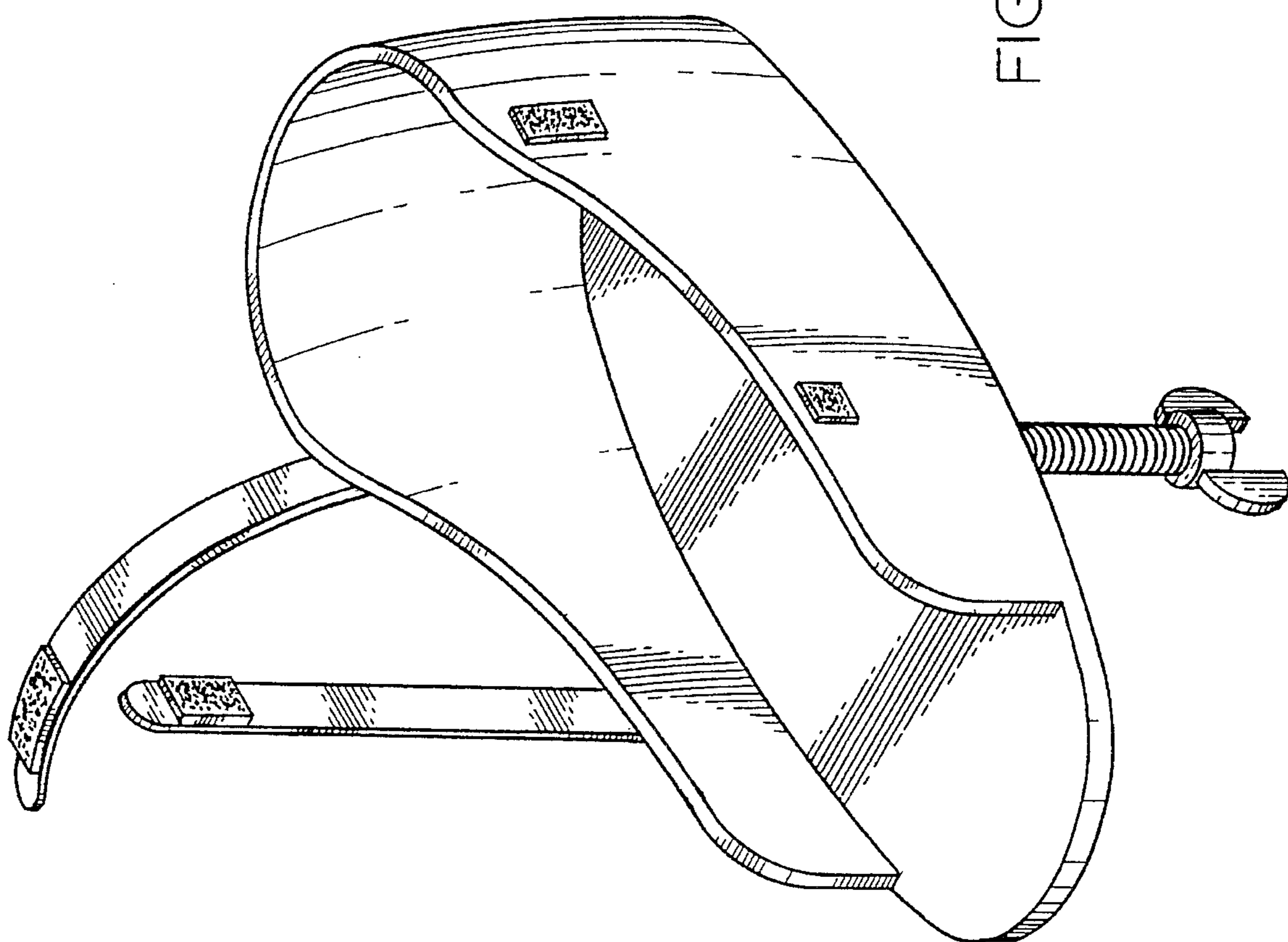


FIG. 1

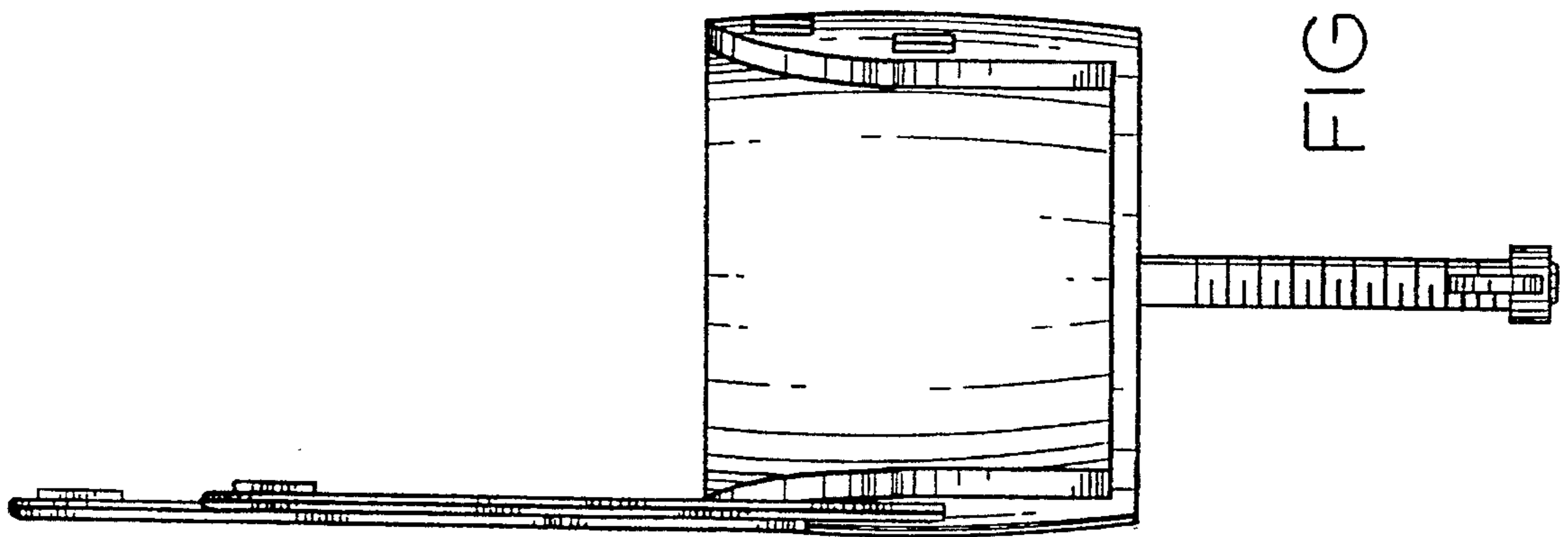


FIG. 2

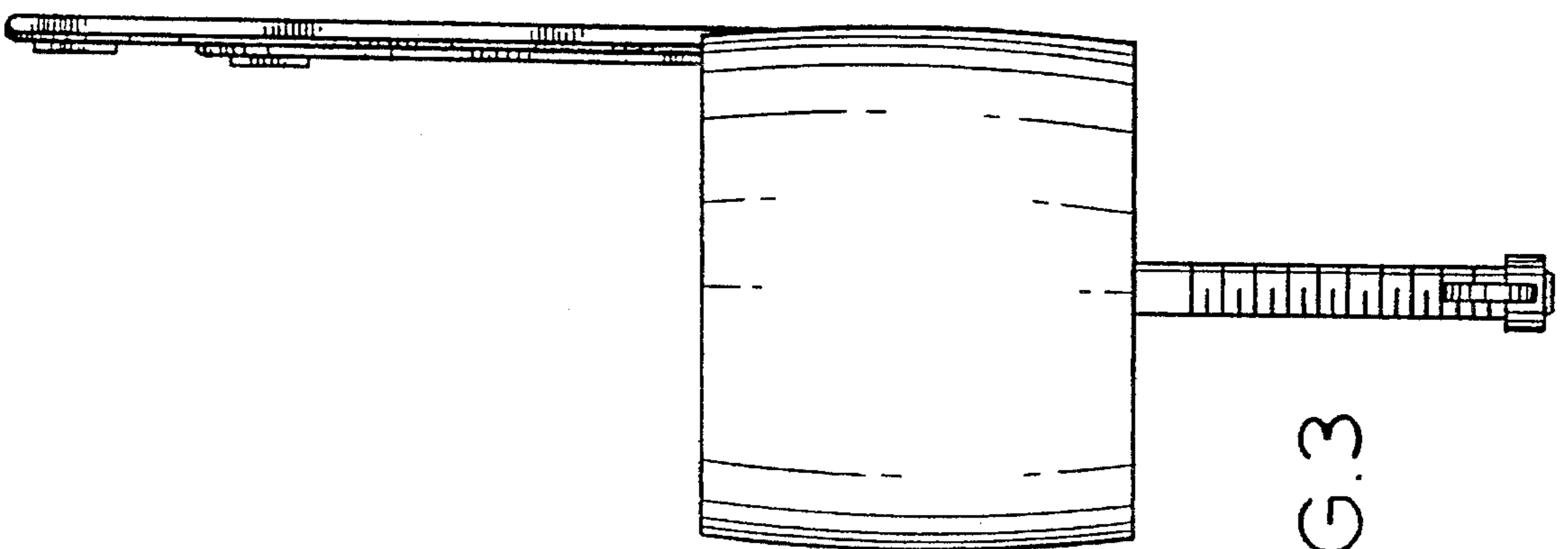


FIG. 3

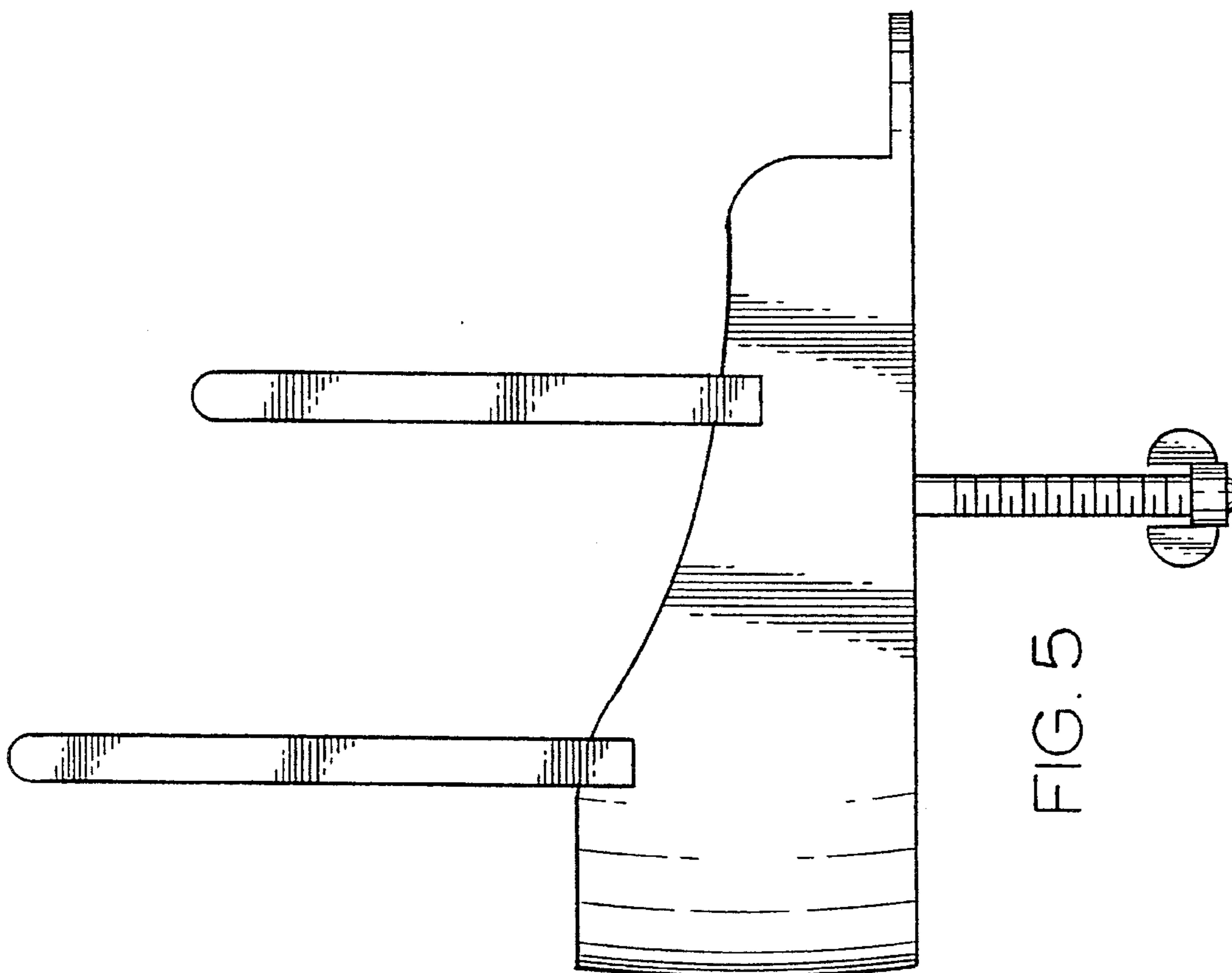


FIG. 5

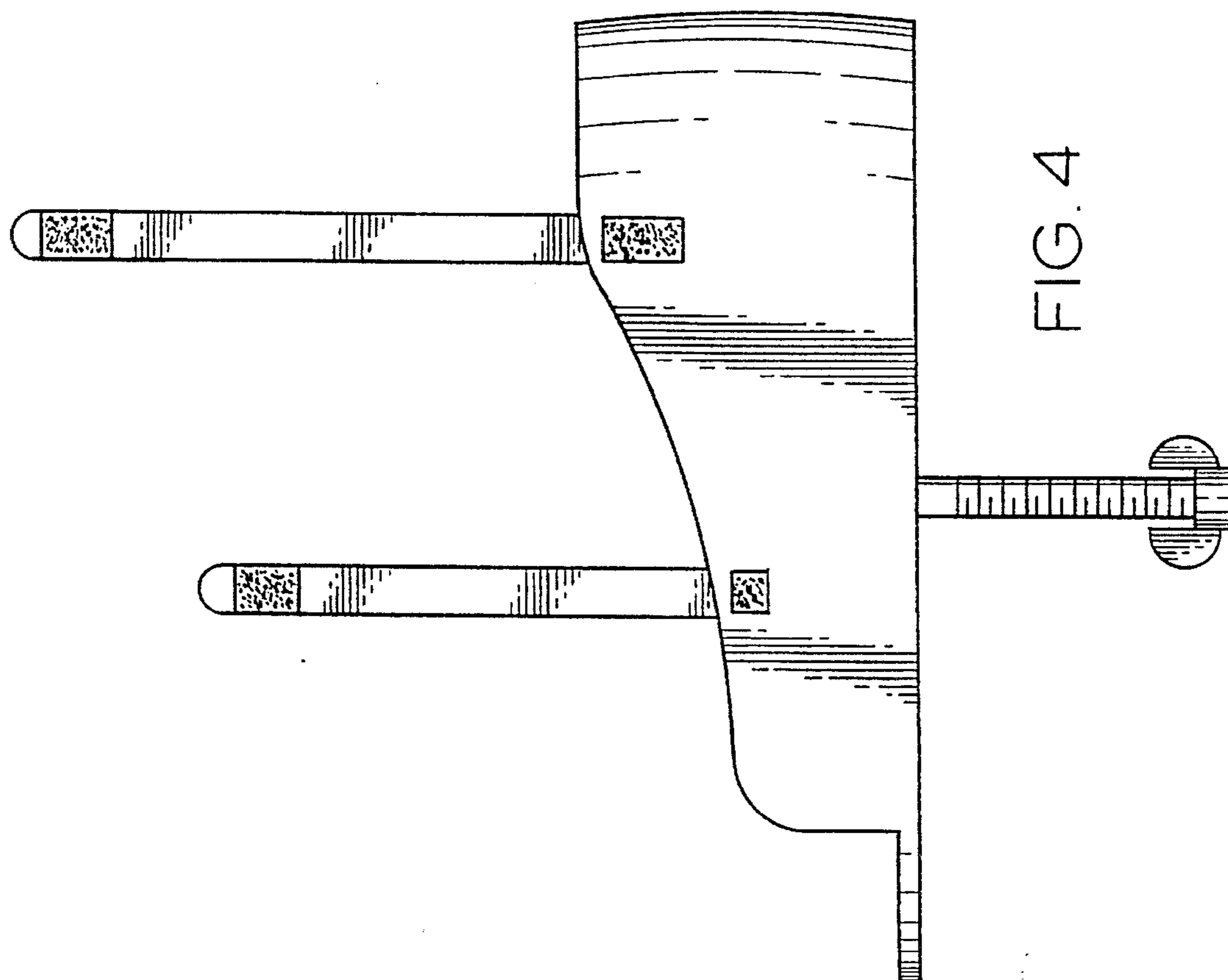


FIG. 4

FIG. 7

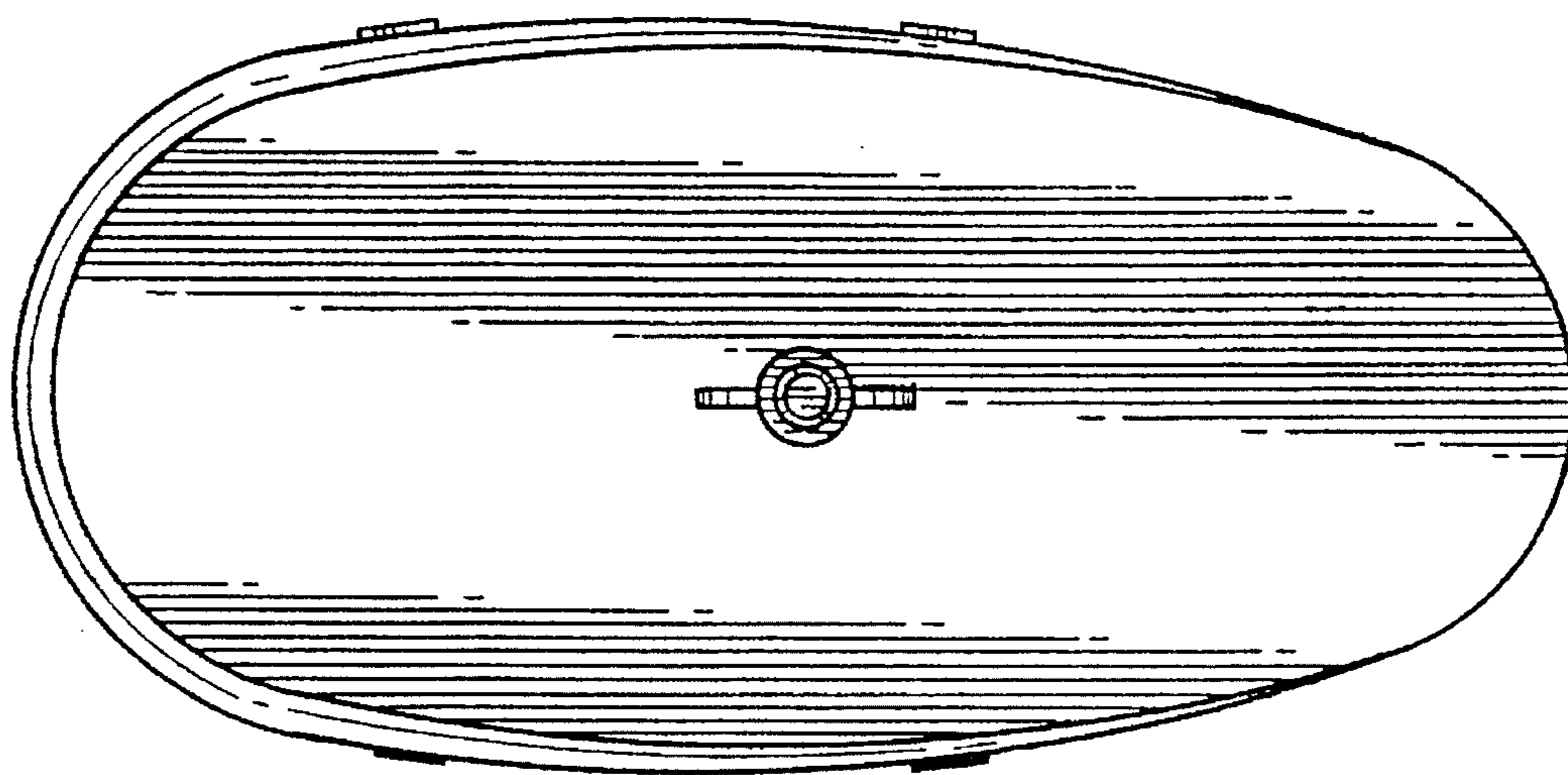


FIG. 6

