



US00D368288S

United States Patent [19]
Kasbohm

[11] **Patent Number: Des. 368,288**
[45] **Date of Patent: **Mar. 26, 1996**

[54] **PHYSICAL EXERCISE SUPPORT**

[75] Inventor: **Mike Kasbohm**, St. Louis Park, Minn.

[73] Assignee: **SpecTech, Inc.**, Minneapolis, Minn.

[**] Term: **14 Years**

[21] Appl. No.: **23,288**

[22] Filed: **May 23, 1994**

[52] U.S. Cl. **D21/191; D21/198**

[58] Field of Search **D21/191, 198;**
482/138, 38, 41, 42, 91, 92, 104, 141

[56] **References Cited**

U.S. PATENT DOCUMENTS

D. 290,033	5/1987	Policastro	D21/191
D. 317,031	5/1991	Ceppo	D21/191
4,351,525	9/1982	Rozenblad	482/141
4,610,448	9/1986	Hill	482/141
5,205,802	4/1993	Swisher	482/141

Primary Examiner—Prabhakar G. Deshmukh
Assistant Examiner—Philip Hyder
Attorney, Agent, or Firm—Kinney & Lange

[57] **CLAIM**

The ornamental design for a physical exercise support, as shown and described.

DESCRIPTION

FIG. 1 is a view in perspective of a physical exercise

support, as seen from the top and two sides, showing my new design;

FIG. 2 is a view in side elevation as seen from right to left of FIG. 1;

FIG. 3 is a view in side elevation as seen from a side opposite that shown in FIG. 2;

FIG. 4 is a view in side elevation as seen from left to right in FIG. 1;

FIG. 5 is a view in side elevation of the side opposite that shown in FIG. 4;

FIG. 6 is a view in top plan;

FIG. 7 is a view in bottom plan;

FIG. 8 is a view in perspective of a modified embodiment of the physical exercise support, as seen from the top and two sides;

FIG. 9 is a view in side elevation as seen from right to left to FIG. 8;

FIG. 10 is a view in side elevation as seen from a side opposite that shown in FIG. 9;

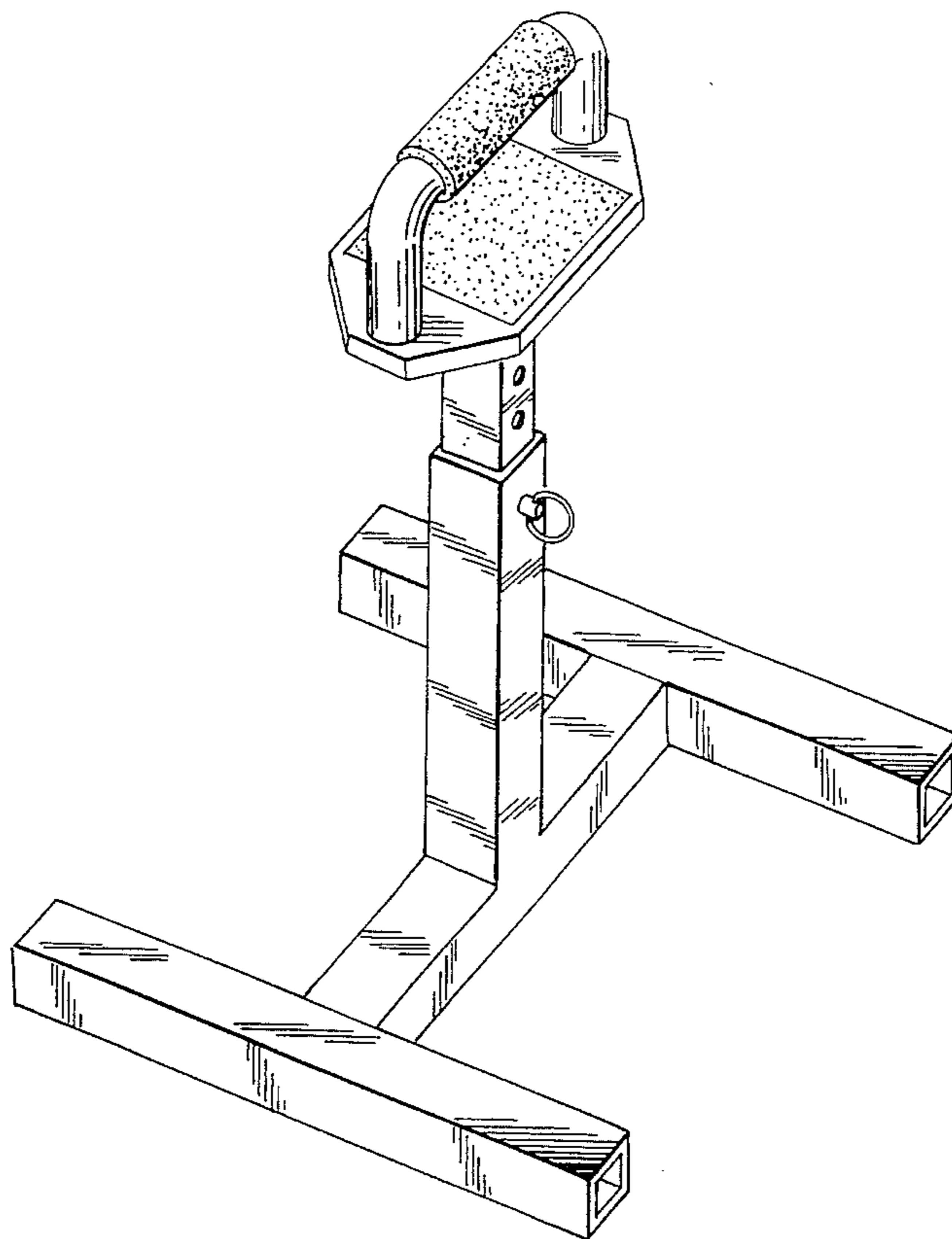
FIG. 11 is a view in side elevation as seen from left to right in FIG. 8;

FIG. 12 is a view in side elevation of the side opposite that shown in FIG. 11;

FIG. 13 is a view in top plan; and,

FIG. 14 is a view in bottom plan.

1 Claim, 8 Drawing Sheets



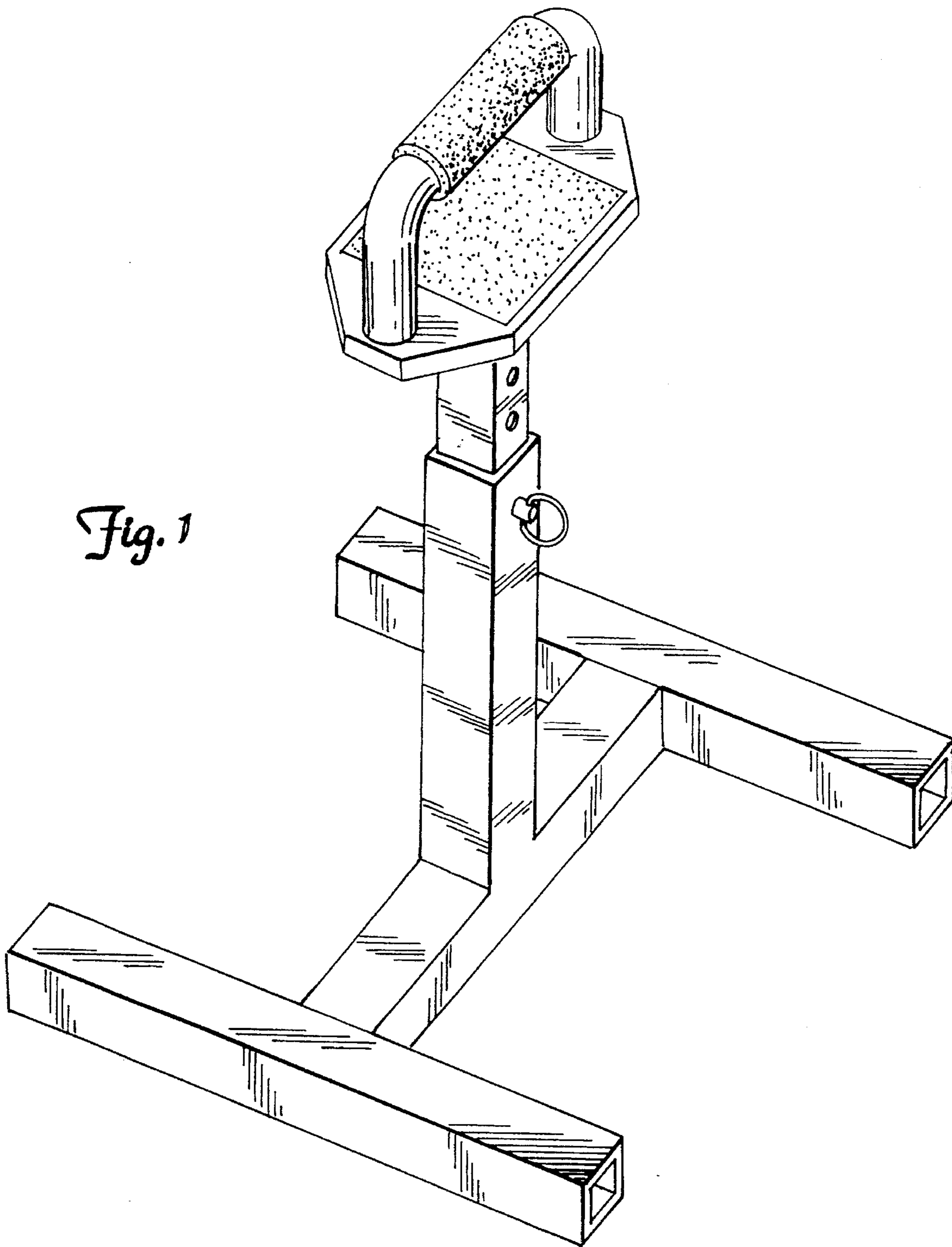


Fig. 1

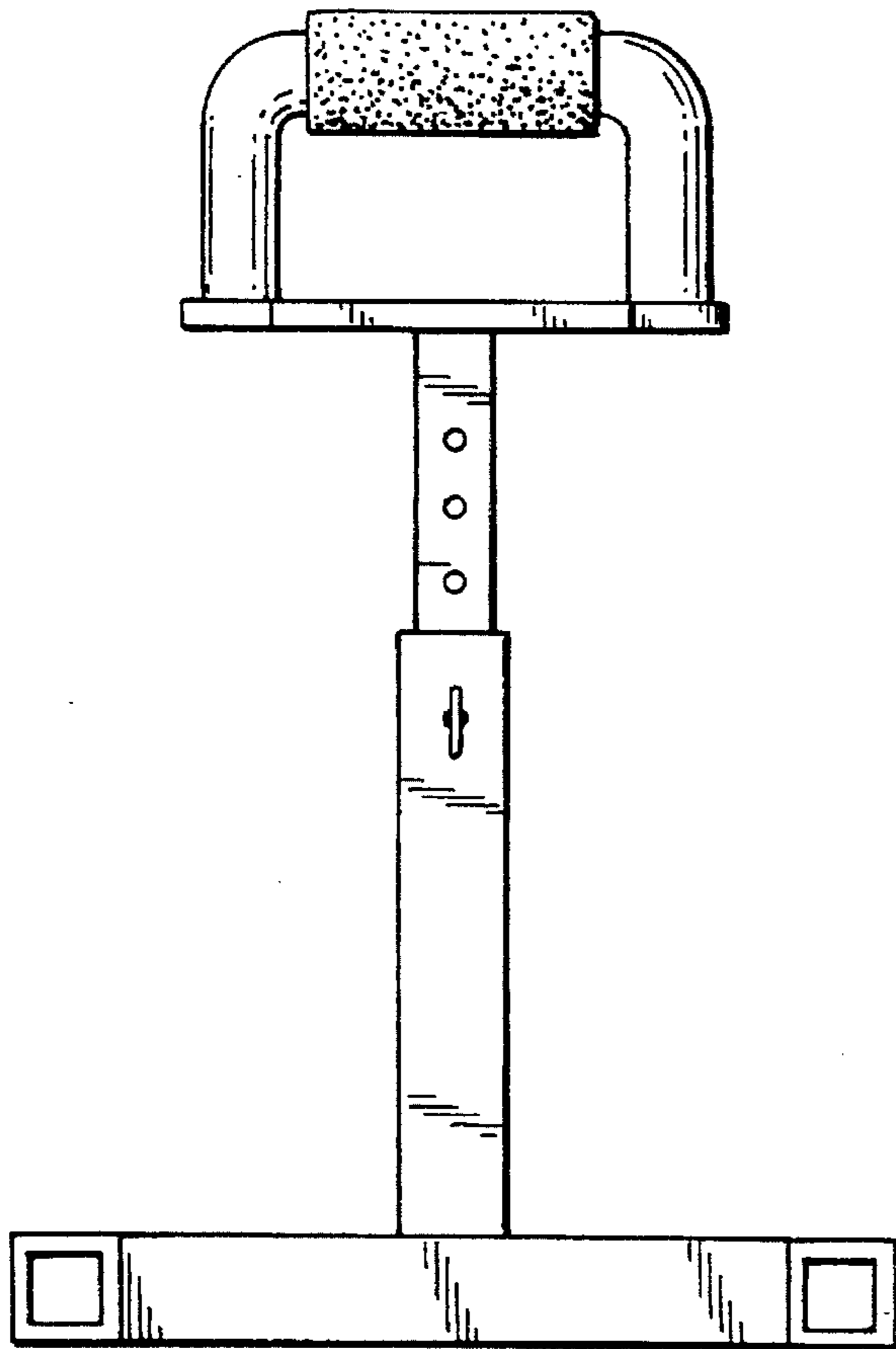


Fig. 2

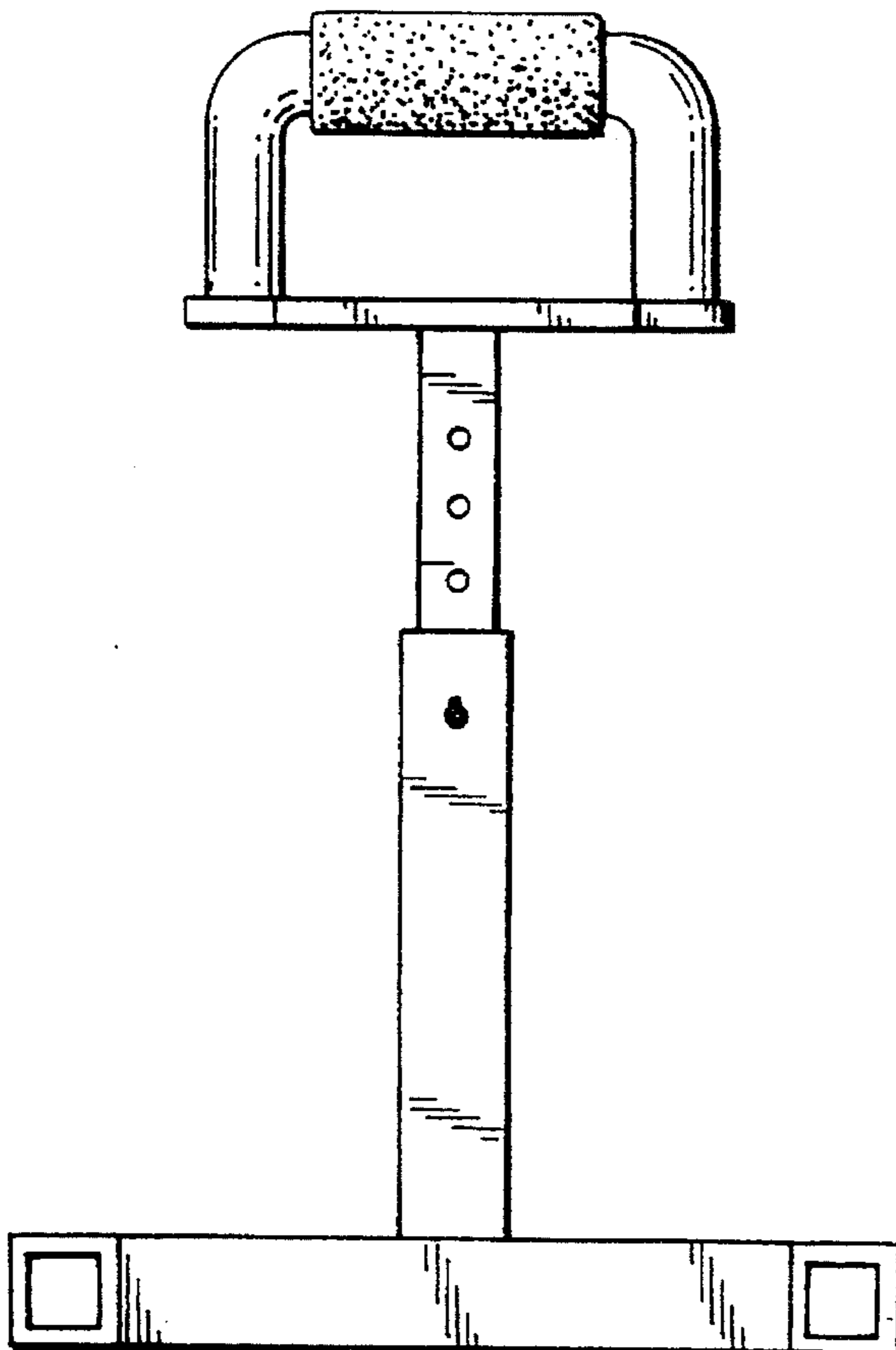


Fig. 3

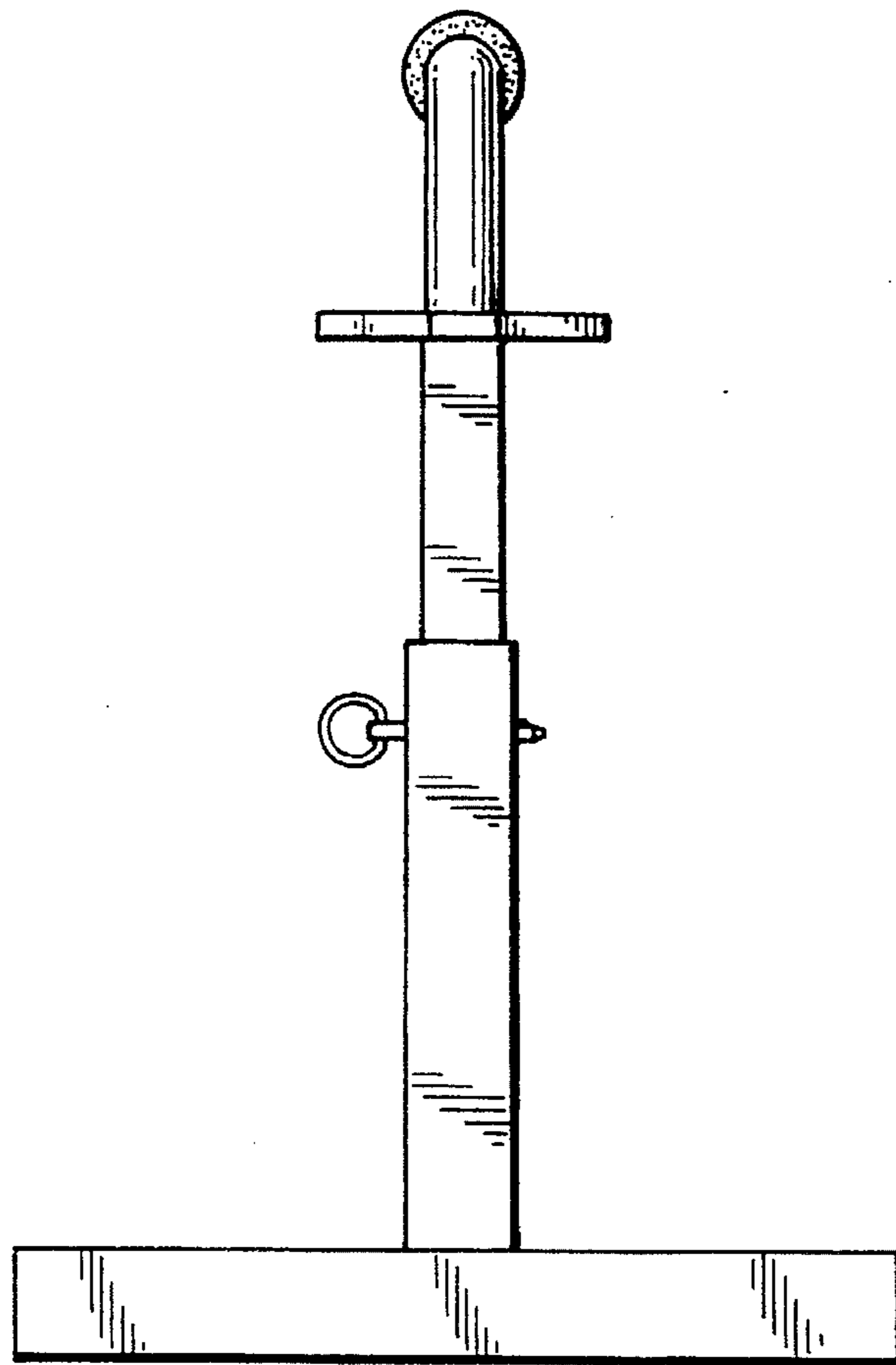


Fig. 4

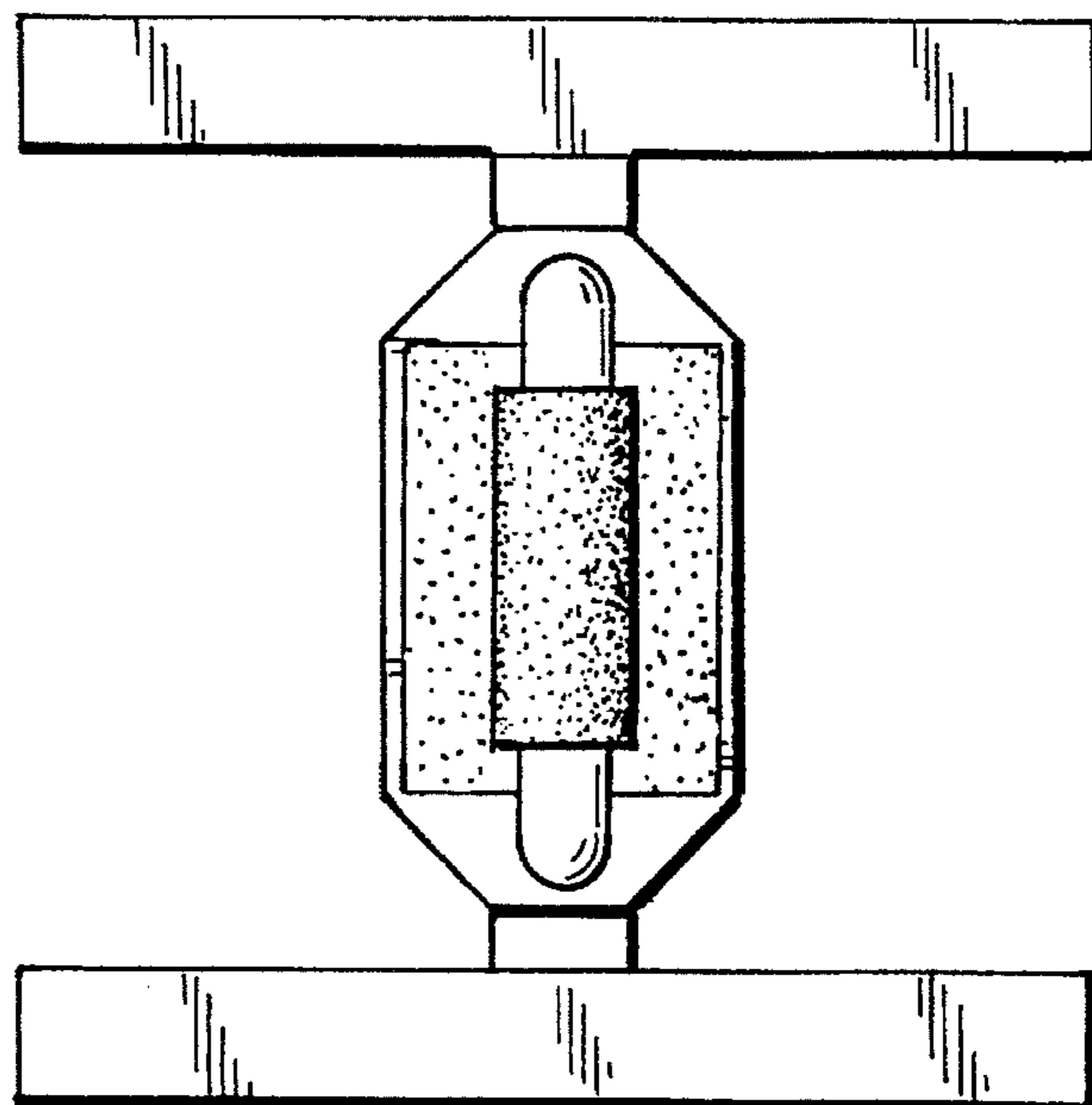


Fig. 6

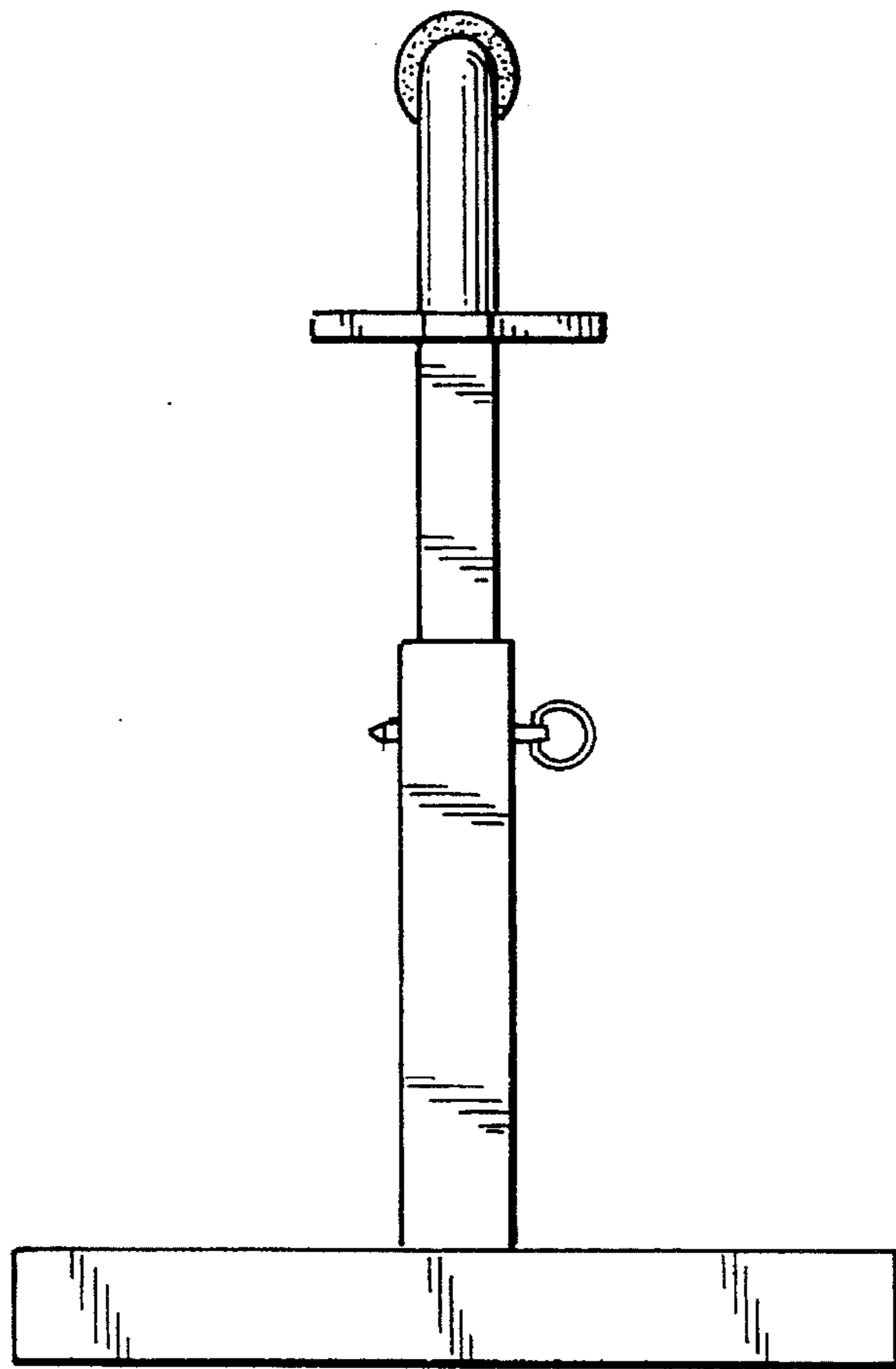


Fig. 5

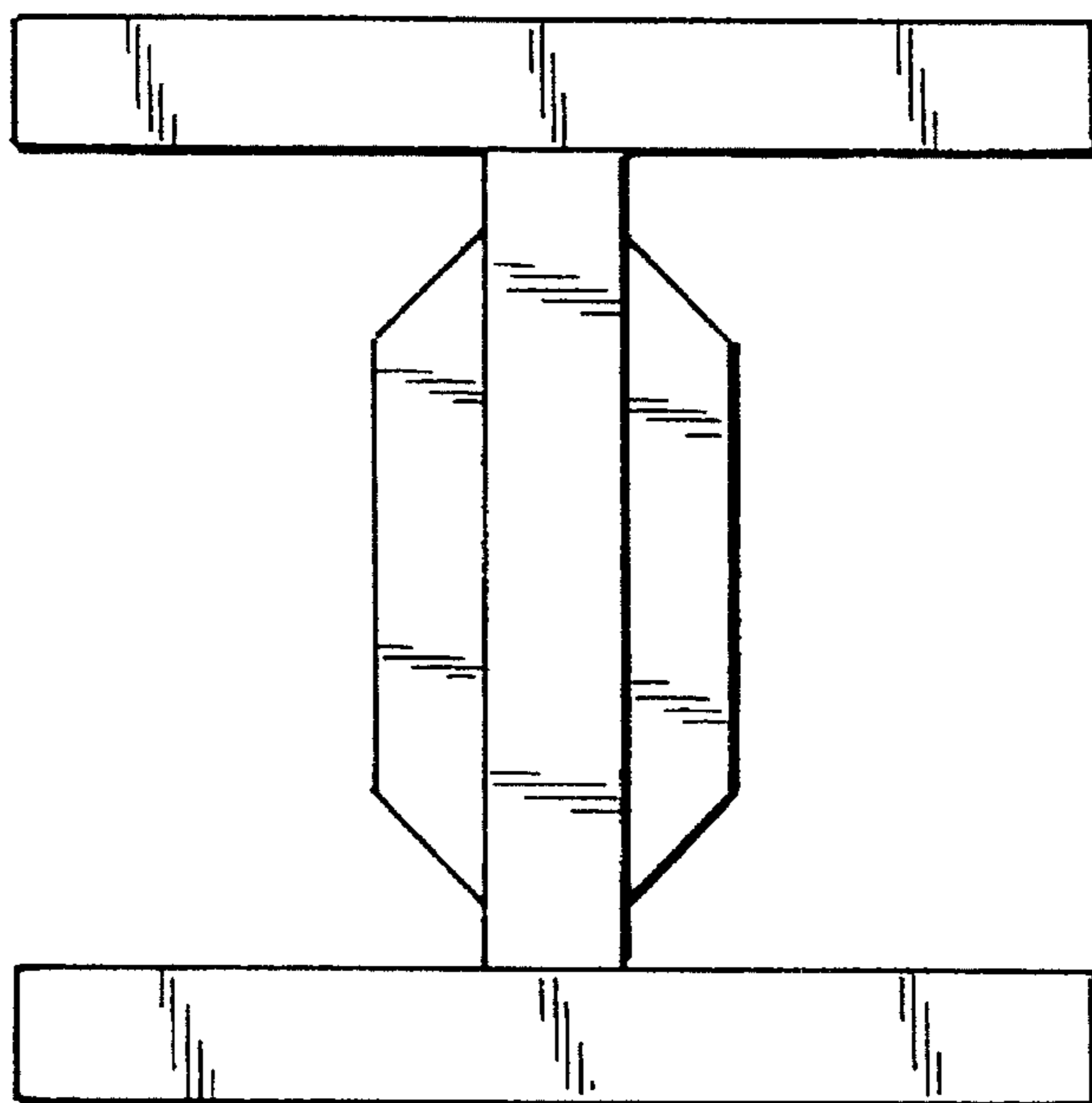


Fig. 7

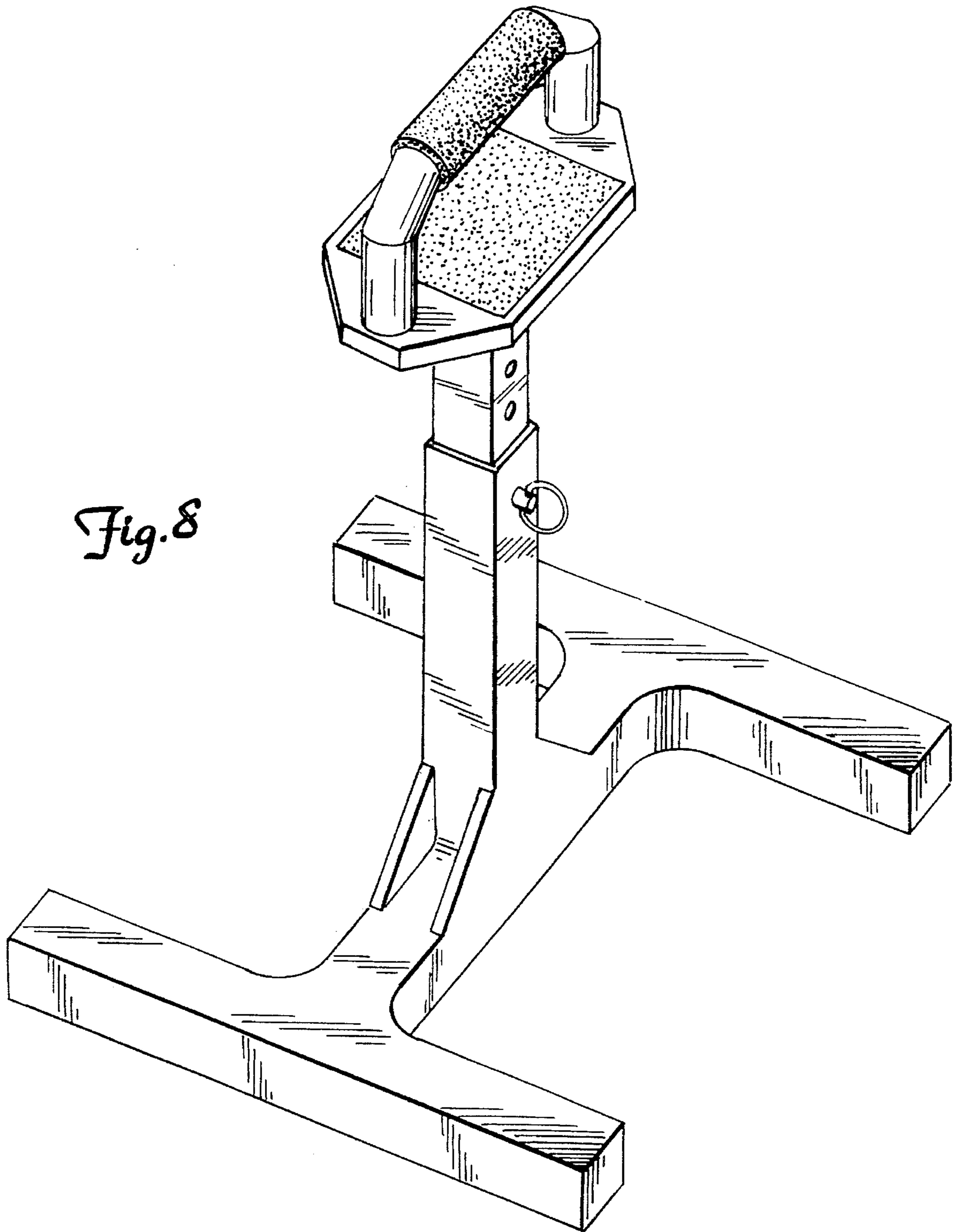


Fig. 8

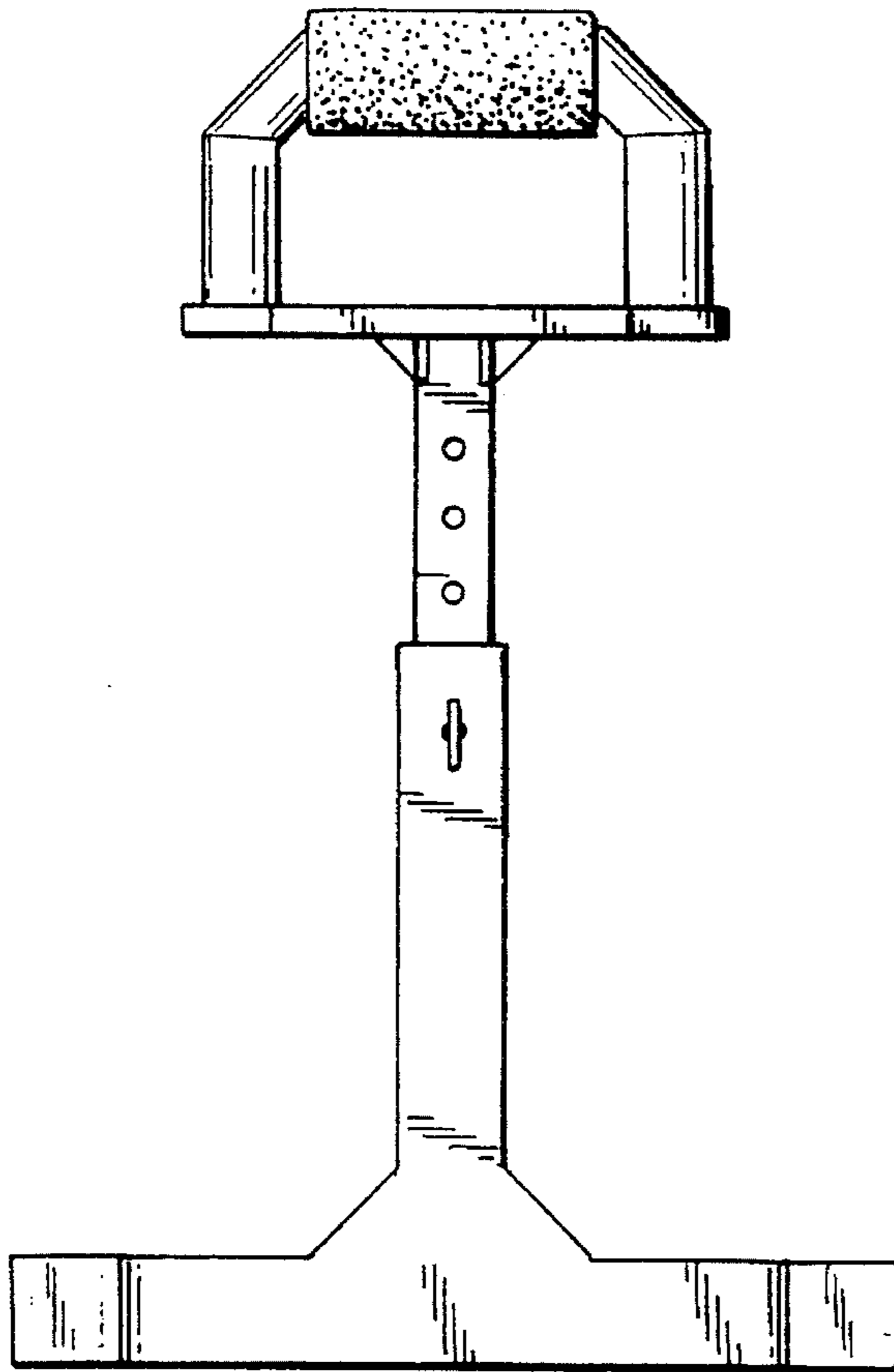


Fig. 9

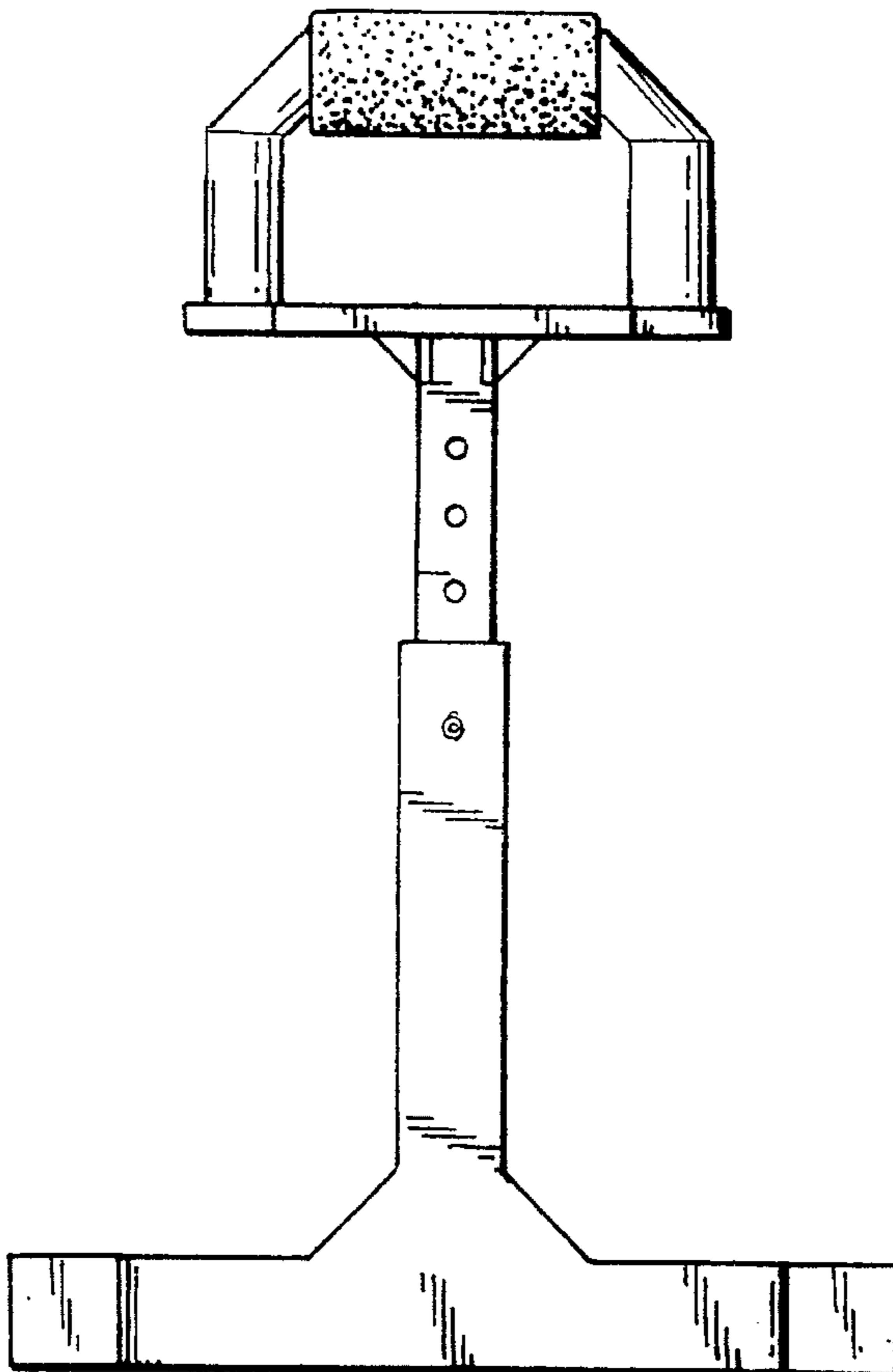


Fig. 10

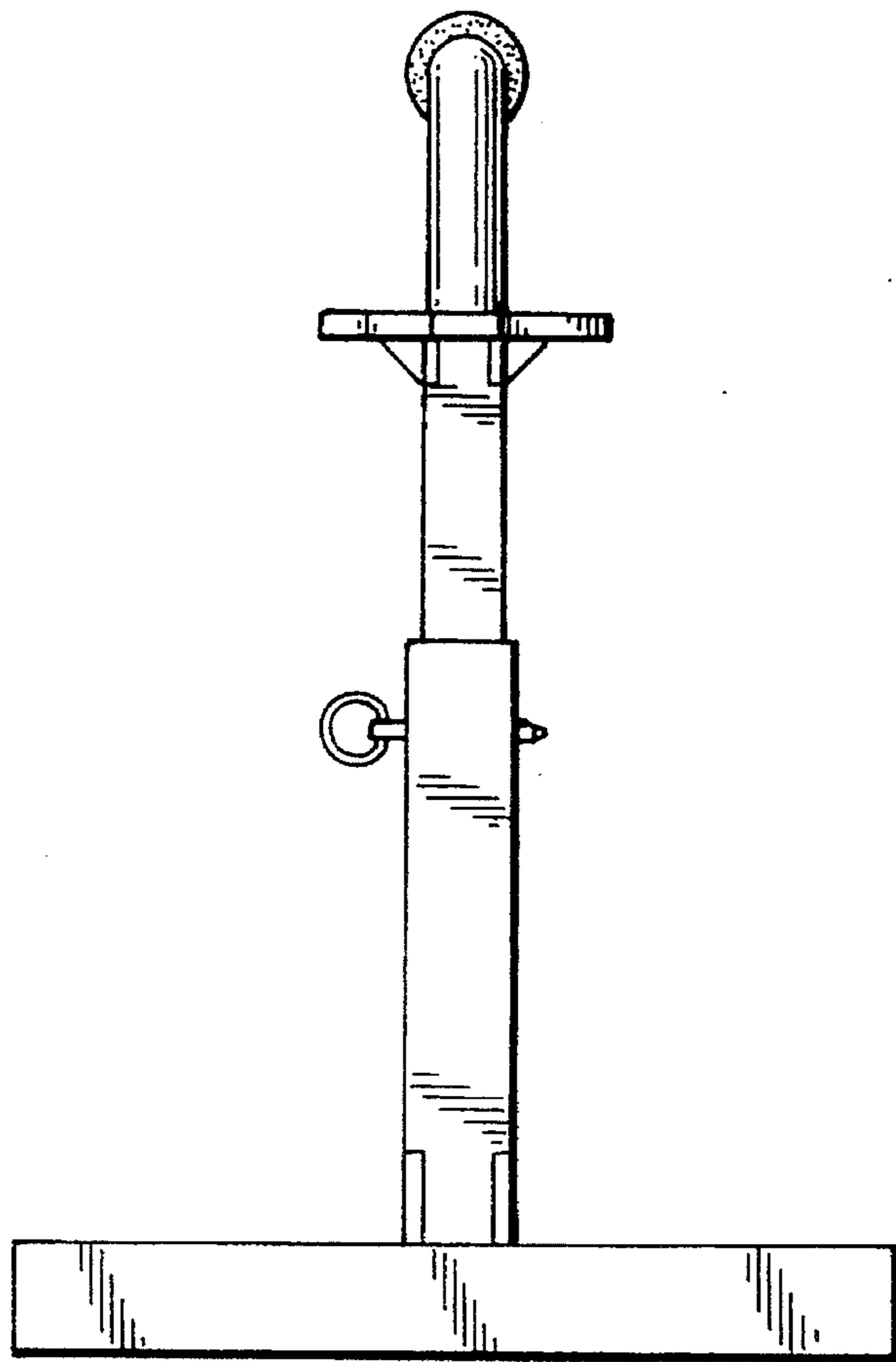


Fig. 11

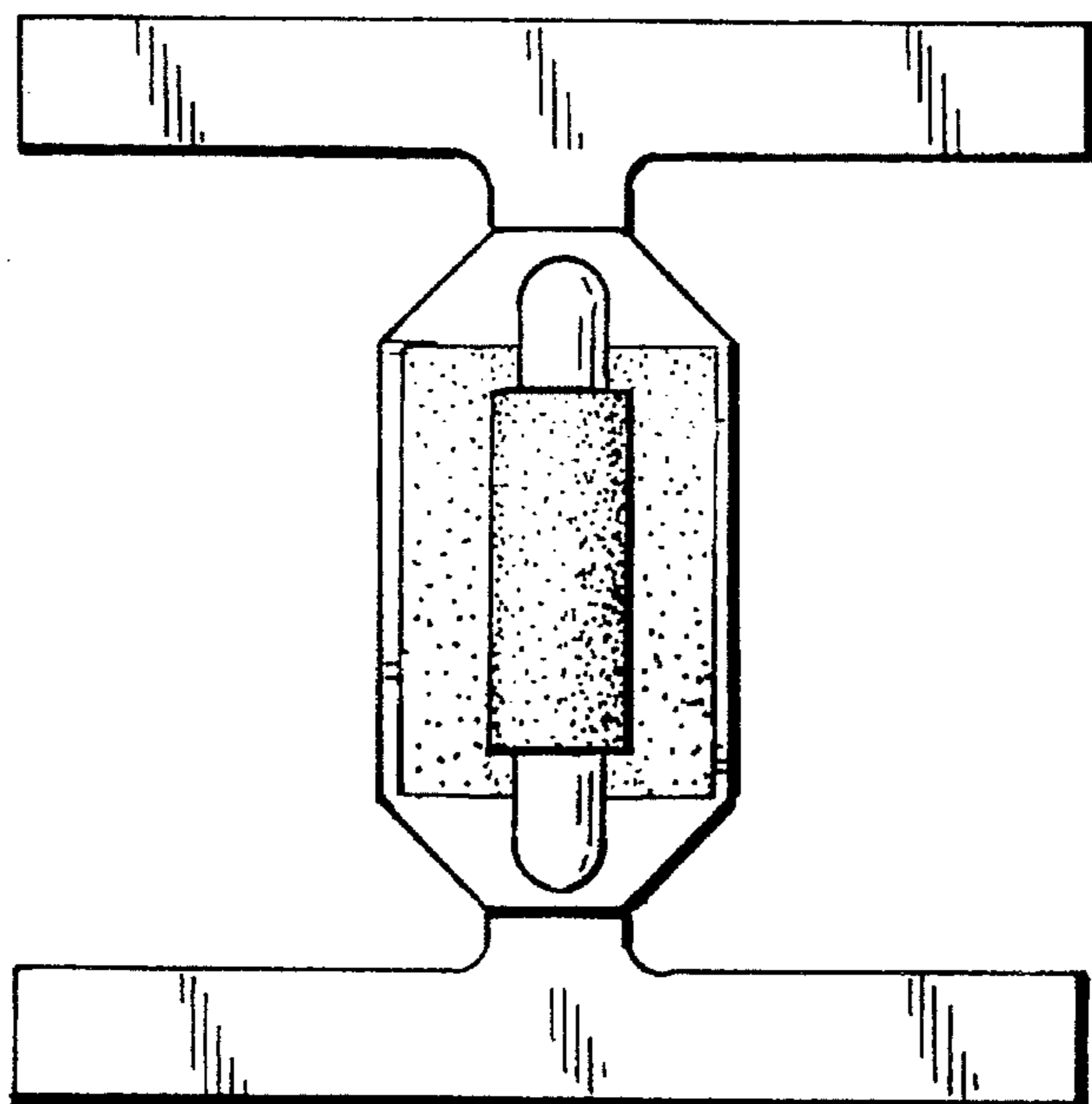


Fig. 13

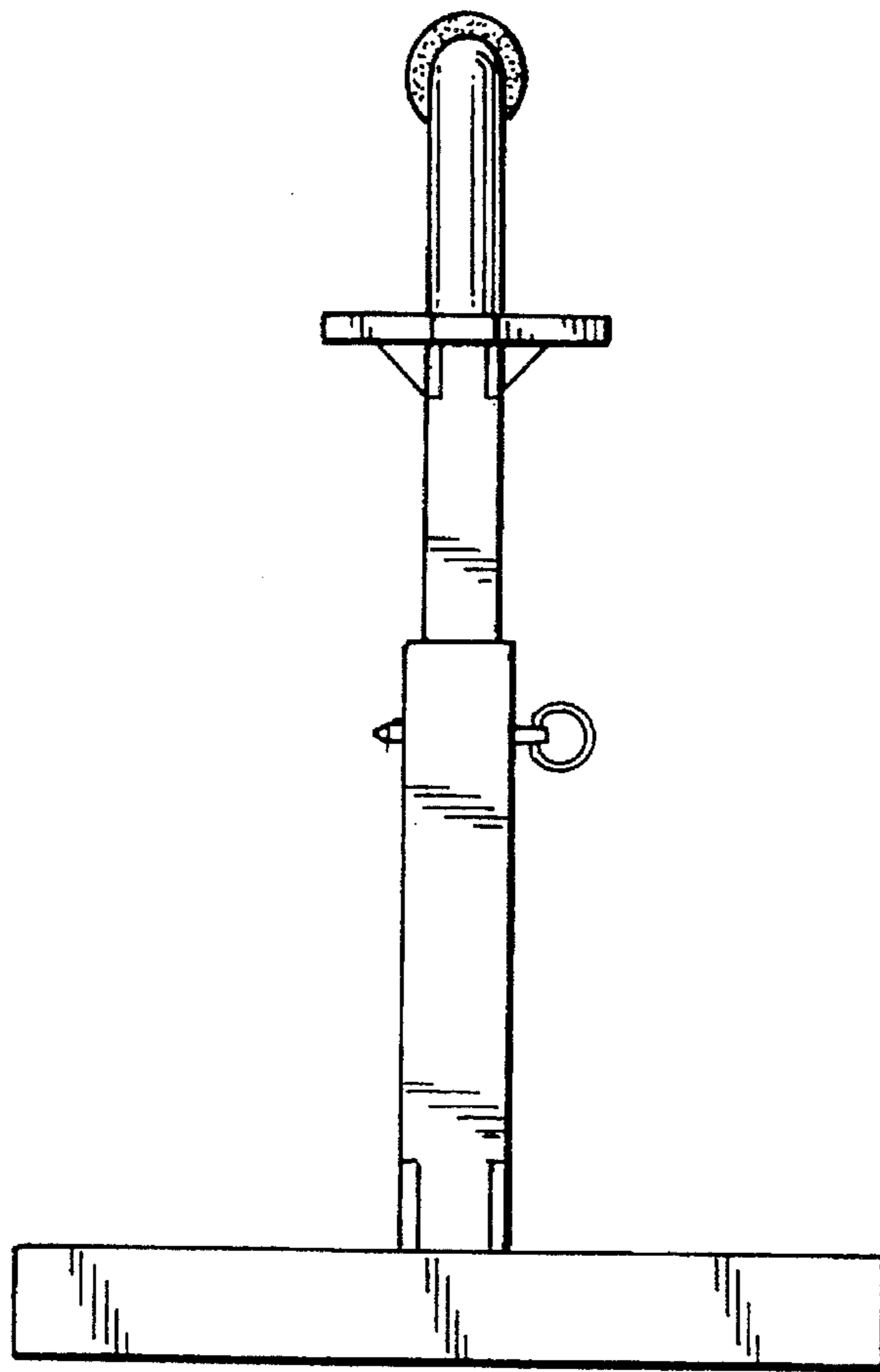


Fig. 12

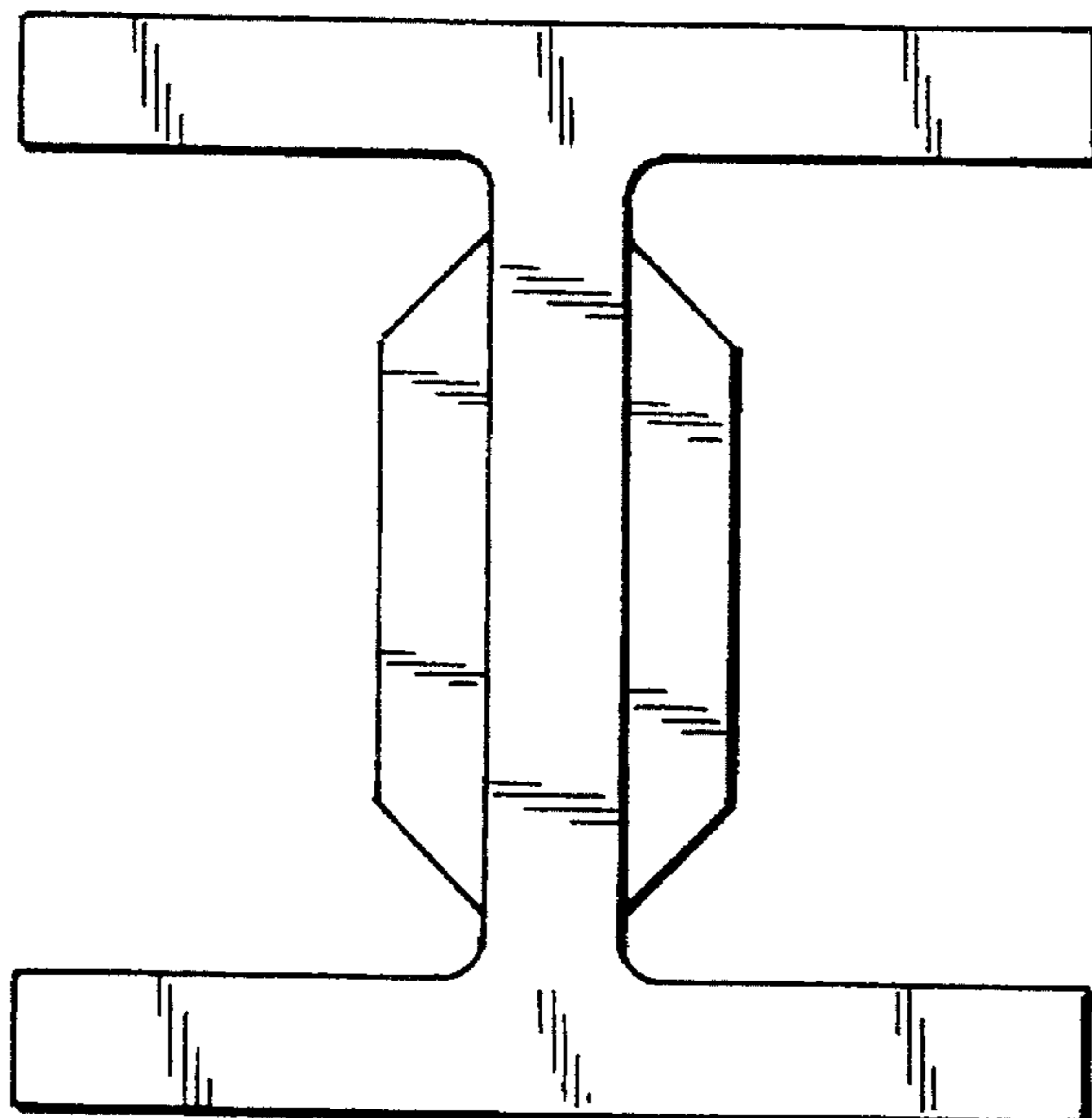


Fig. 14