



US00D368281S

United States Patent [19]

[11] **Patent Number: Des. 368,281**

Brown et al.

[45] **Date of Patent: **Mar. 26, 1996**

[54] **ACTIVITY TABLE**

[75] Inventors: **Patrick Brown**, Strongsville; **Joseph C. Cacciola**; **William K. Ford**, both of Hudson; **John R. Nottingham**, Chagrin Falls; **John W. Spirk**, Gates Mills, all of Ohio

[73] Assignee: **The Little Tikes Company**, Hudson, Ohio

[**] Term: **14 Years**

[21] Appl. No.: **34,523**

[22] Filed: **Feb. 7, 1995**

[52] **U.S. Cl.** **D21/11**

[58] **Field of Search** **D21/11, 14, 27;**
273/85 R, 85 C, 85 D, 85 E, 85 G, 236-285

[56] **References Cited**

U.S. PATENT DOCUMENTS

D. 211,259	6/1968	Maillard	D21/11
D. 240,246	6/1976	Pierre	D21/11
D. 314,985	2/1991	Monneret	D21/11
D. 315,007	2/1991	Monneret	D21/232
D. 347,245	5/1994	Cecchetti	D21/11
D. 352,071	11/1994	Monneret	D21/11
D. 352,969	11/1994	Cecchetti	D21/11
572,688	12/1896	Seifert	.	
2,215,687	9/1940	Carter	273/85
2,595,725	5/1952	Sutton	311/89
2,769,638	11/1956	Knapp	273/85
2,818,256	12/1957	Hopper	273/37
3,001,843	9/1961	Davis	311/3
3,724,851	4/1973	Cecchetti	273/85
3,822,886	7/1974	Cecchetti	273/125
3,931,970	1/1976	Cecchetti	273/85
4,025,073	5/1977	Furr et al.	273/85
4,063,728	12/1977	Zemanek	273/4
4,078,797	3/1978	Bergee	273/85 D
4,334,682	6/1982	Ham	273/85
4,722,530	2/1988	Hendon	273/309
4,873,679	10/1989	Bohaski et al.	273/85
5,112,047	5/1992	Jouets	273/85
5,242,164	9/1993	Nicoll	273/85
5,342,050	8/1994	Thompson	273/126

FOREIGN PATENT DOCUMENTS

1069908	7/1954	France	.
1492898	7/1967	France	.
7311035	10/1974	France	.
2647450	4/1978	Germany	.
2932518	2/1981	Germany	.
341564	1/1931	United Kingdom	.
1107449	3/1968	United Kingdom	.

OTHER PUBLICATIONS

P. 120, Game table; Buddy L Inc., Patch Road RD 1, P. O. Box 1070, Gloversville, New York 12078. Published at least as early as Jan., 1995.

P. 489, Game tables, Sears Wish Book, Chicago, Illinois. Publication date 1993.

Pp. 128, 129 and 131, Game tables; Service Merchandise Co., Inc., P. O. Box 25130, Nashville, Tennessee 37202-5130. Publication date 1994.

Pp. 69 and 70, Game tables; Fisher-Price, 620 Girard Avenue, East Aurora, New York 14052. Publication date 1994.

P. 490, Game tables; BEST Products Co., Inc., P. O. Box 26303, Richmond, Virginia 23260. Publication date 1993/94.

Vending Times, Aug.-1979, p. 83.

Primary Examiner—Prabhakar G. Deshmukh

Attorney, Agent, or Firm—Richard B. O'Planick; Lisa B. Riedesel

[57] **CLAIM**

The ornamental design for an activity table, as shown and described.

DESCRIPTION

FIG. 1 is a top left front perspective view of an activity table showing our new design;

FIG. 2 is a front elevational view thereof; the rear elevational view being a mirror image;

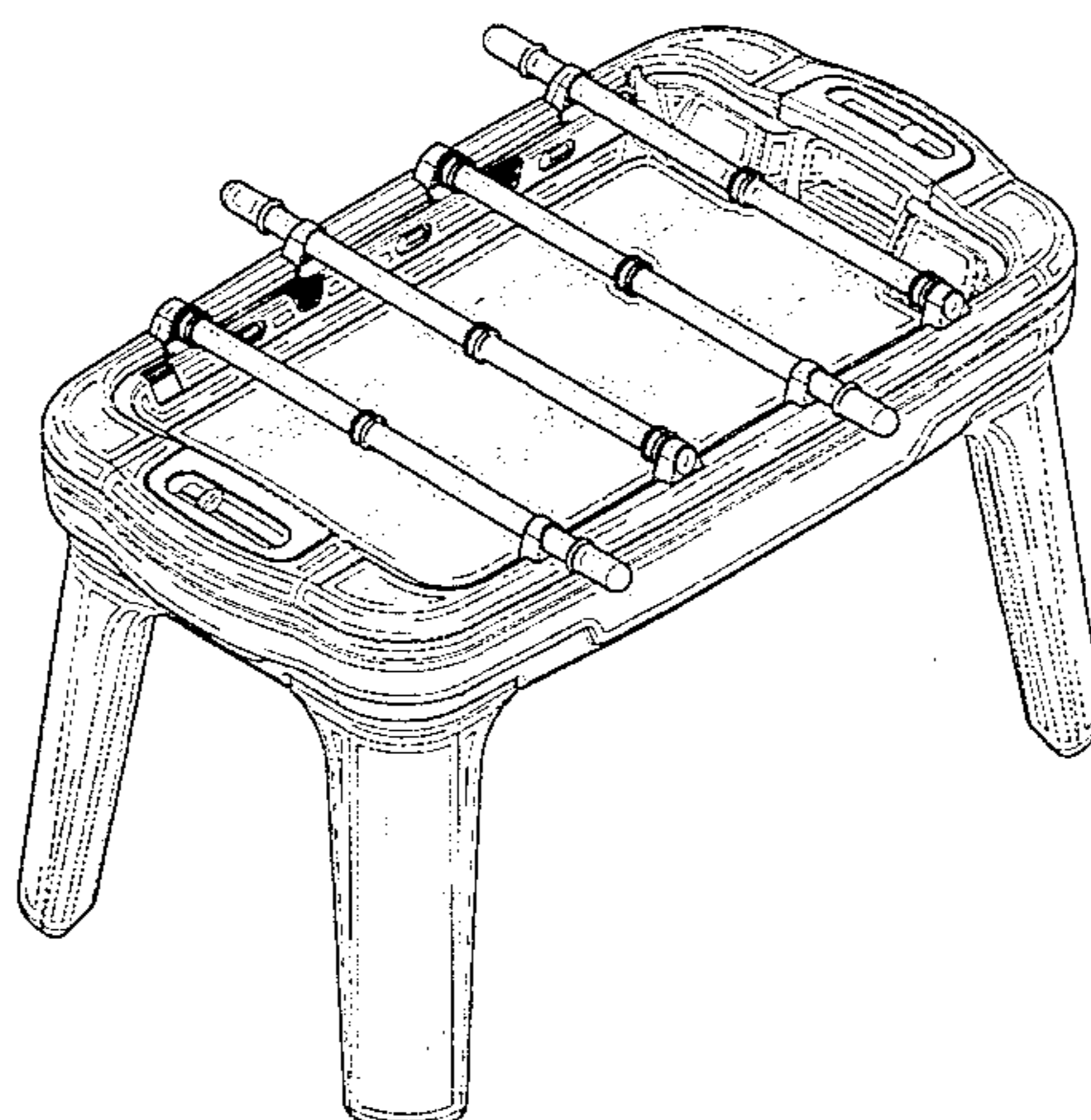
FIG. 3 is a left side elevational view thereof; the right side elevational view being a mirror image;

FIG. 4 is a top plan view thereof; and,

FIG. 5 is a bottom plan view thereof.

The broken lines are for illustrative purposes only and form no part of the claimed design.

1 Claim, 5 Drawing Sheets



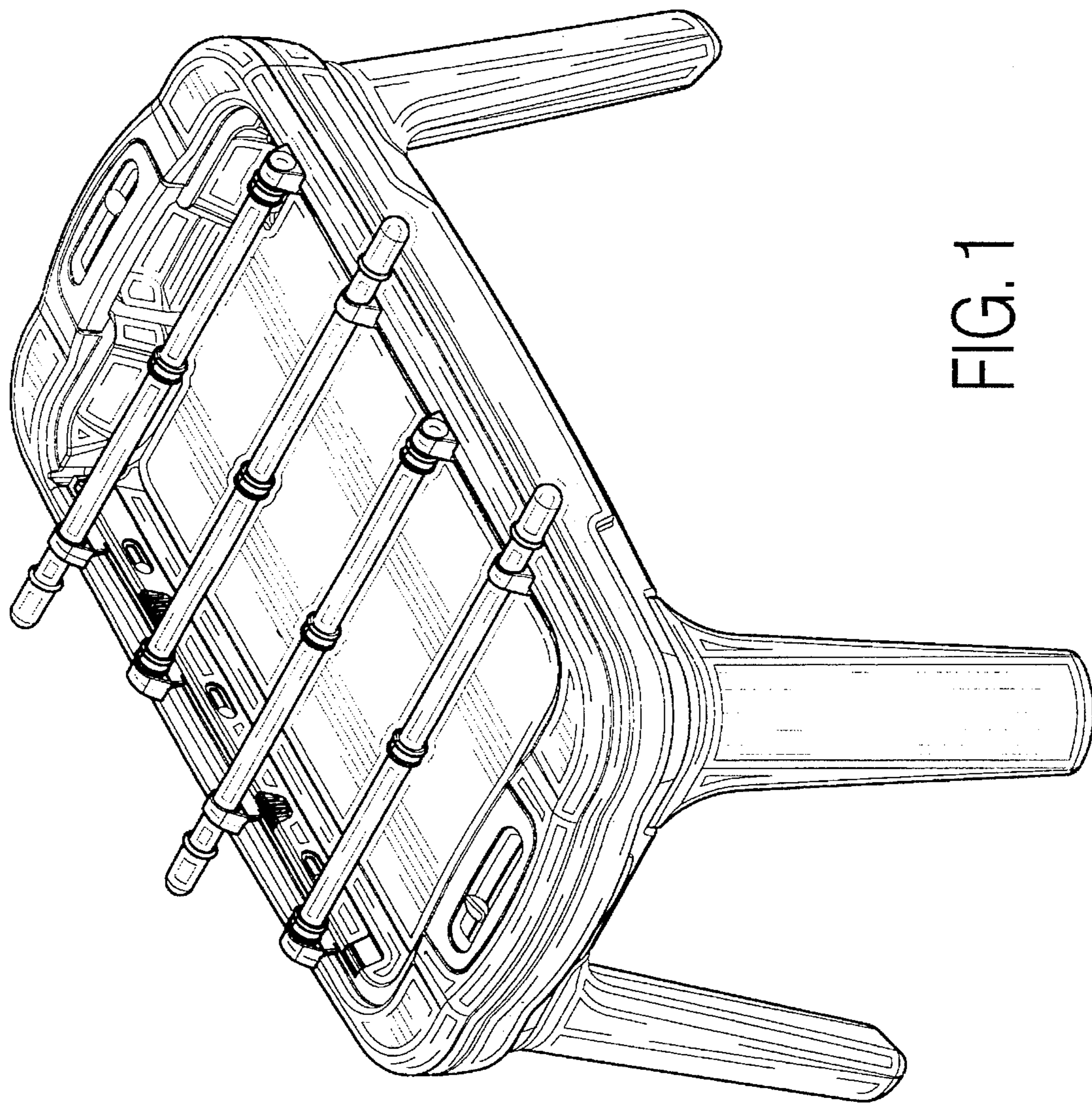


FIG. 1

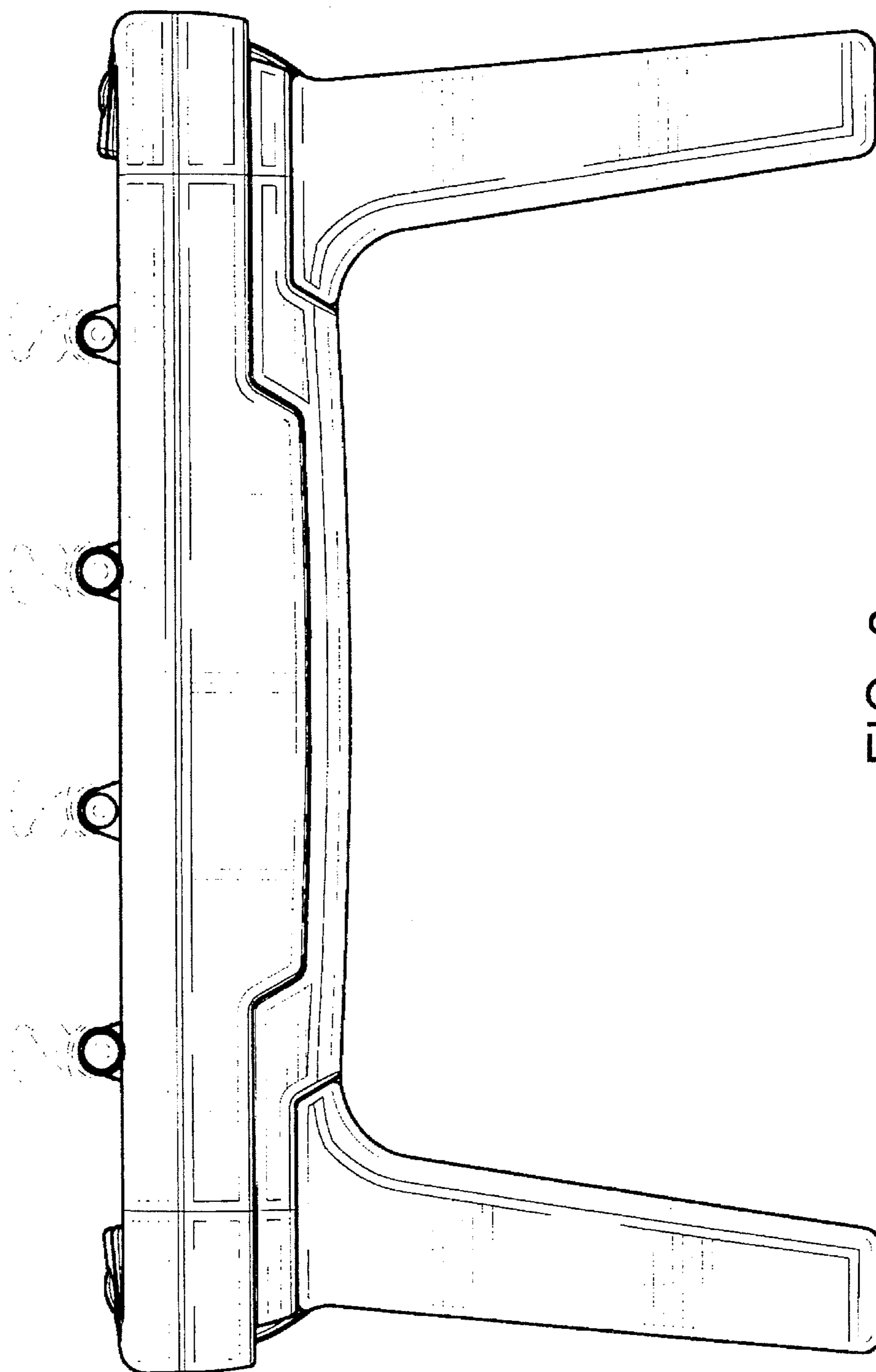


FIG. 2

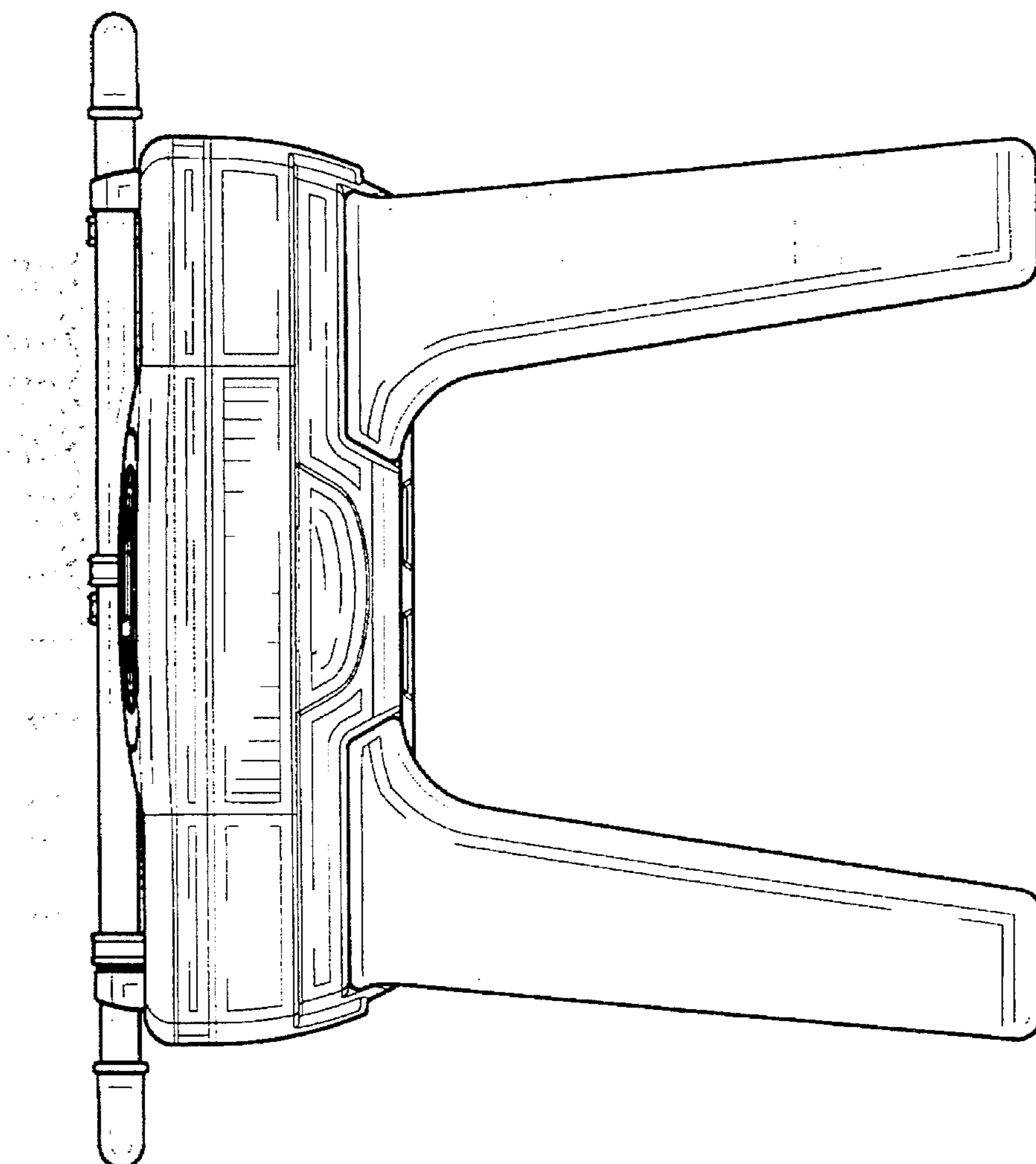


FIG. 3

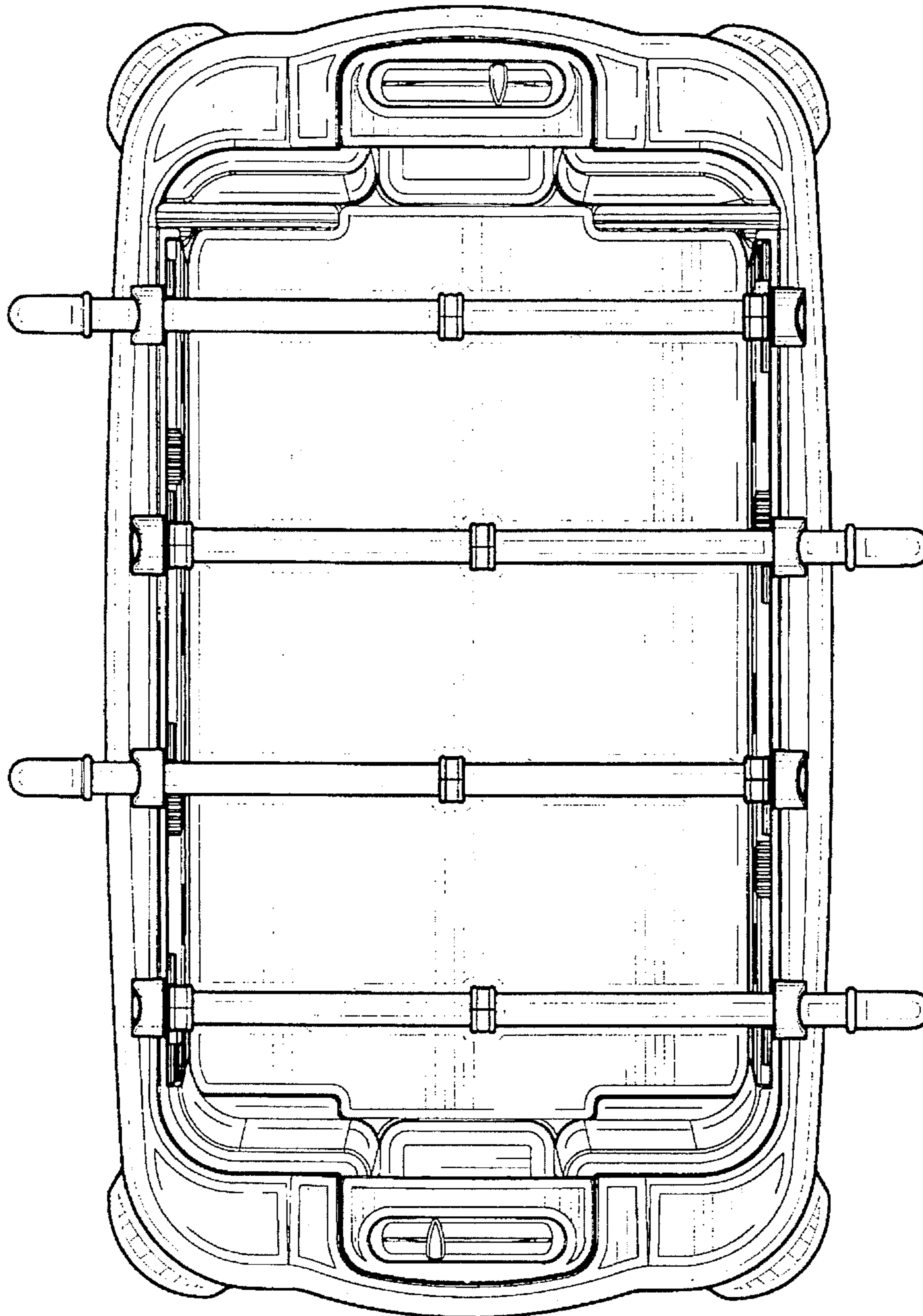


FIG. 4

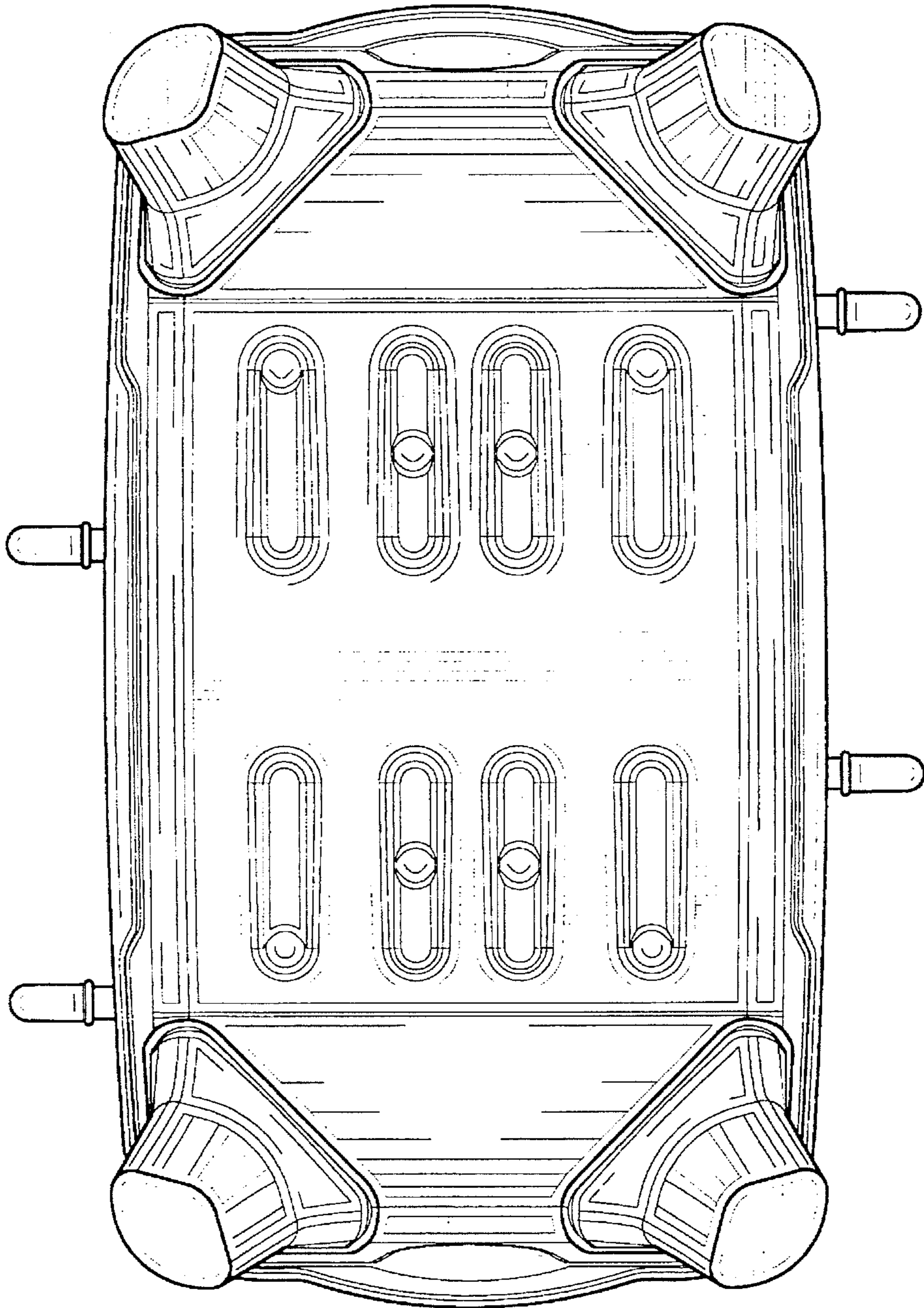


FIG. 5