



US00D368280S

**United States Patent** [19]  
**Brown**

[11] **Patent Number: Des. 368,280**

[45] **Date of Patent: \*\*Mar. 26, 1996**

[54] **TOY PROJECTILE LAUNCHER**

[75] Inventor: **Robert L. Brown**, Cincinnati, Ohio

[73] Assignee: **Tonka Corporation**, Pawtucket, R.I.

[\*\*] Term: **14 Years**

[21] Appl. No.: **22,263**

[22] Filed: **May 2, 1994**

[52] U.S. Cl. .... **D21/3**

[58] **Field of Search** ..... D21/1, 3, 2, 5,  
D21/90, 91, 145; 124/8, 9, 79, 31, 37, 38,  
41.1, 45, 82, 83-85, 79, 1; 123/348, 355,  
374

[56] **References Cited**

**U.S. PATENT DOCUMENTS**

D. 355,445	2/1995	Boyd	.....	D21/2
1,678,527	7/1928	Payne	.....	124/79
2,449,432	9/1948	Wheeler	.....	124/79
2,609,637	9/1952	Spence	.....	124/79 X
3,662,728	5/1972	Retrum	.....	124/79
3,973,774	8/1976	Breslow et al.	.....	124/79
4,583,743	4/1986	Macek	.....	124/79 X

*Primary Examiner*—Prabhakar G. Deshmukh  
*Attorney, Agent, or Firm*—Kurt R. Benson

[57] **CLAIM**

The ornamental design for a toy projectile launcher, as shown and described.

**DESCRIPTION**

FIG. 1 is a perspective view of a toy projectile launcher embodying my new design;

FIG. 2 is a right side elevational view thereof;

FIG. 3 is a left side elevational view thereof;

FIG. 4 is a top plan view thereof;

FIG. 5 is a bottom plan view thereof;

FIG. 6 is a front elevational view thereof;

FIG. 7 is a rear elevational view thereof;

FIG. 8 is a perspective view thereof in a collapsed position; and,

FIG. 9 is a perspective view thereof in a cocked and loaded position.

Broken lines showing a projectile are for illustrative purposes only and form no part of the claim.

**1 Claim, 3 Drawing Sheets**

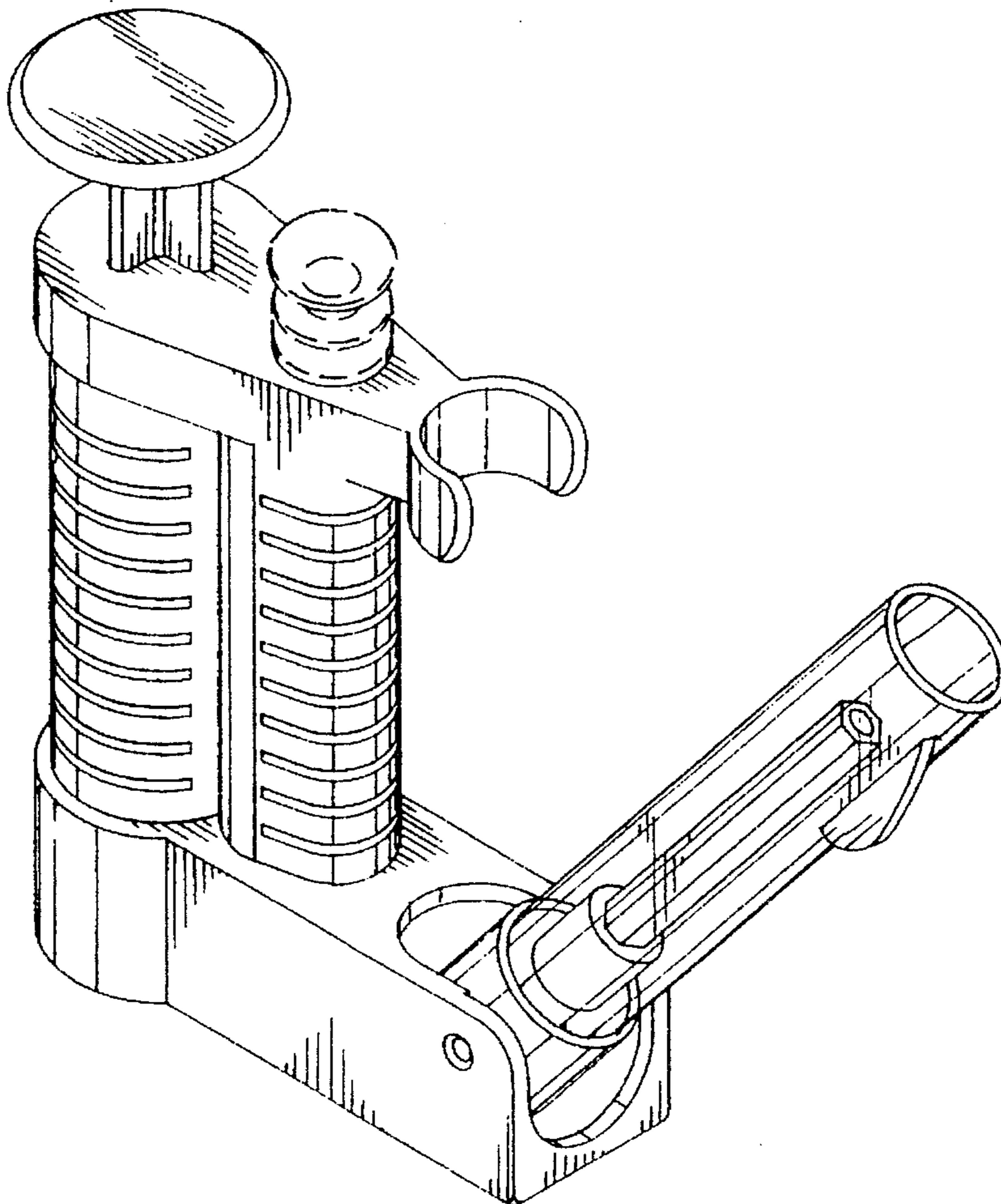


FIG. 1

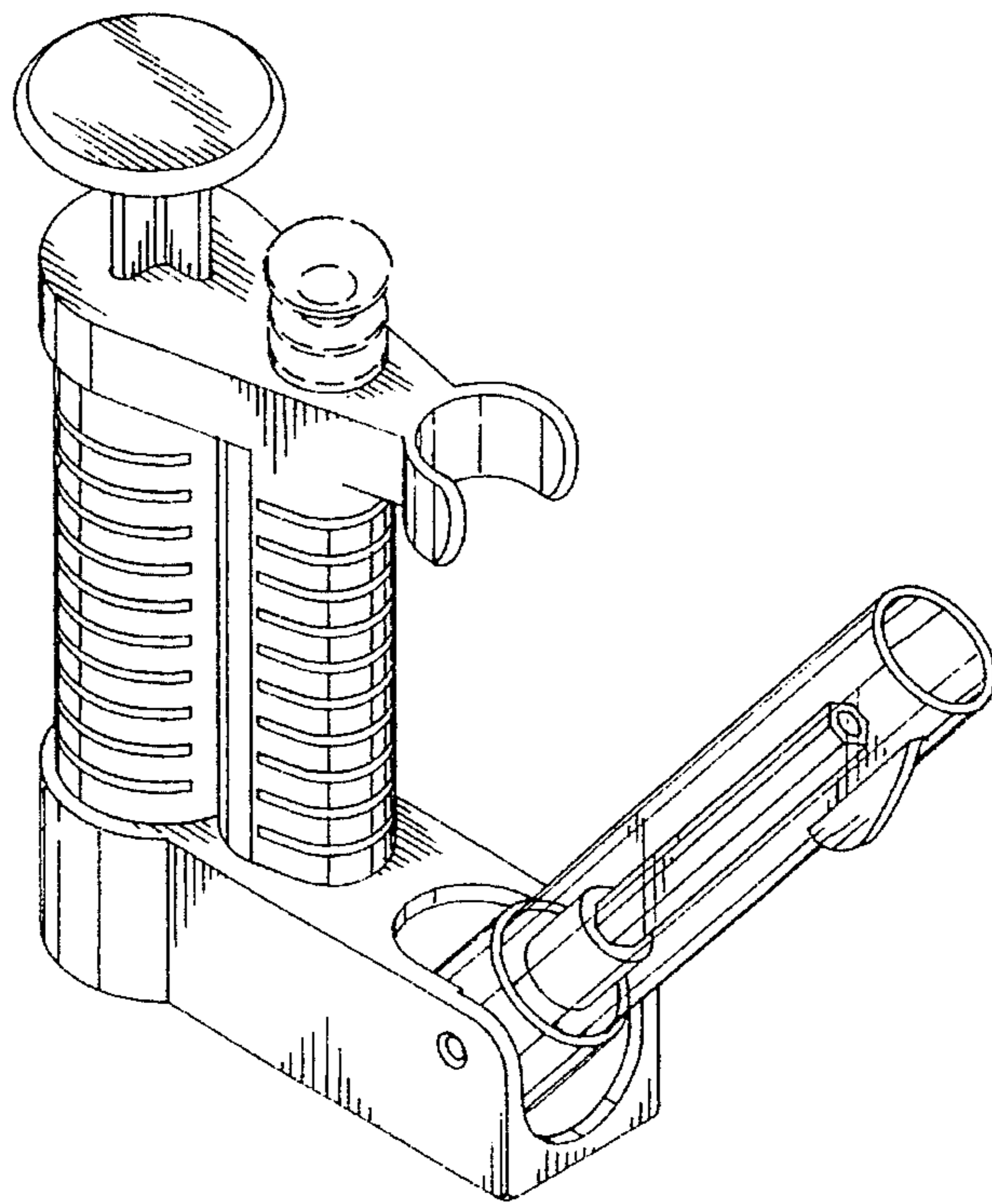


FIG. 2

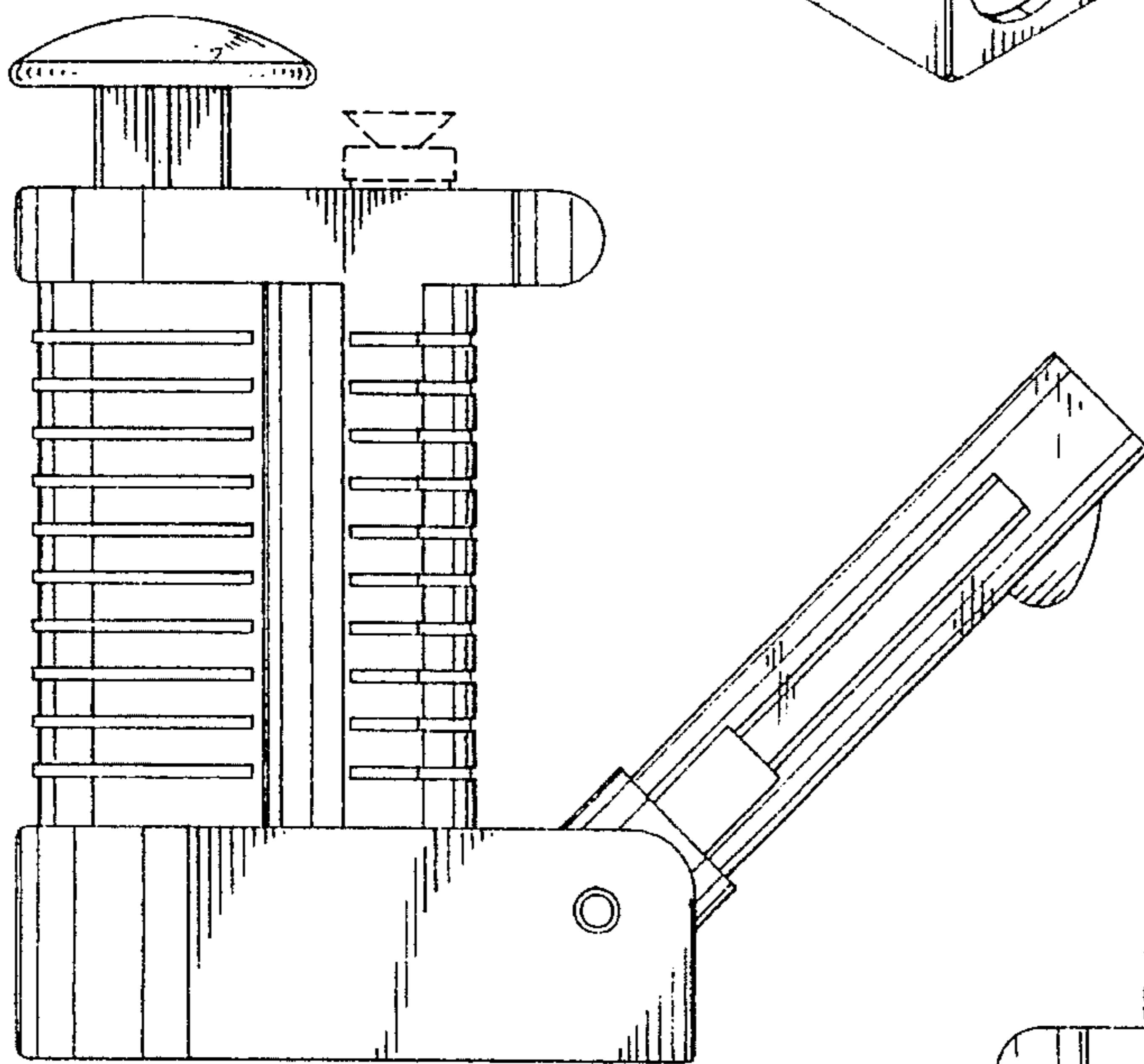
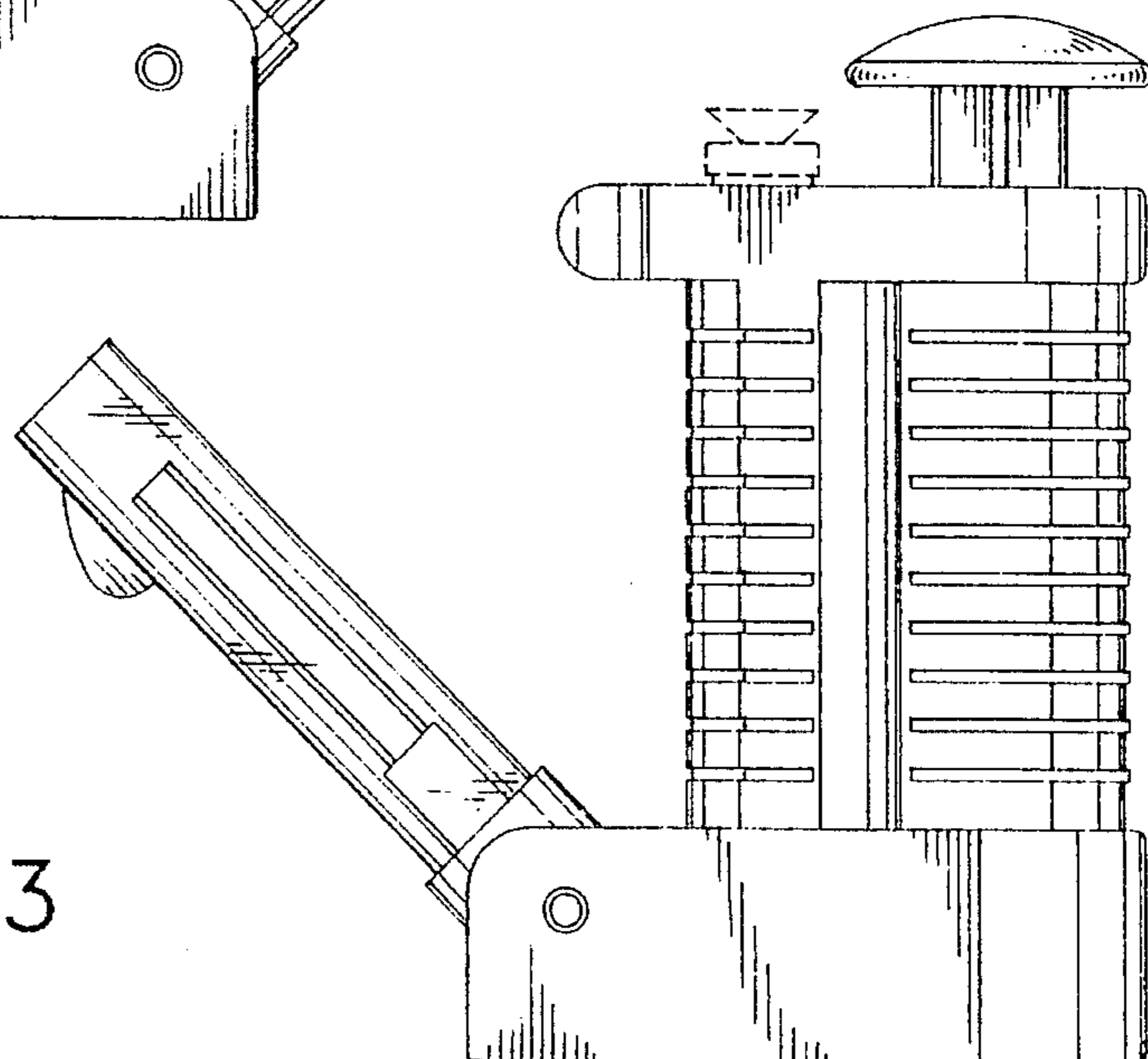


FIG. 3



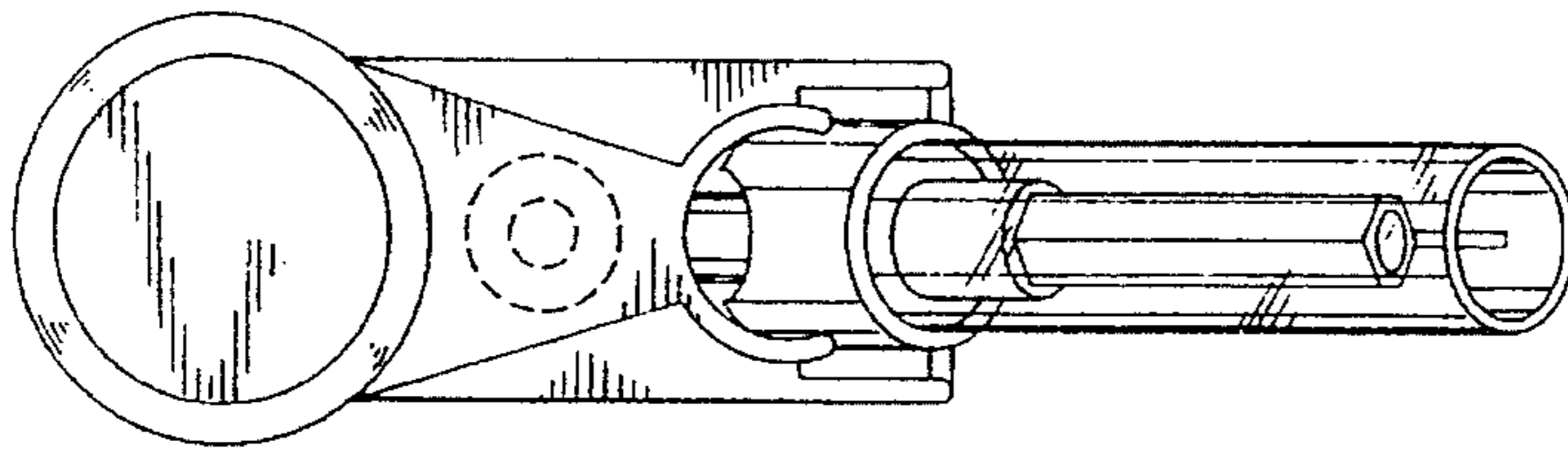


FIG. 4

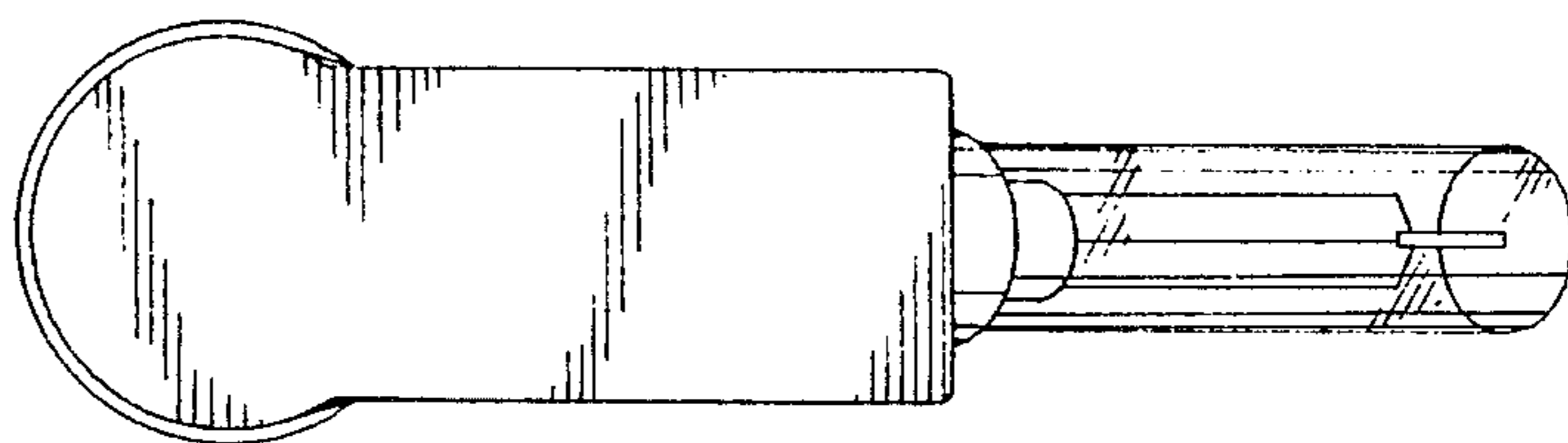


FIG. 5

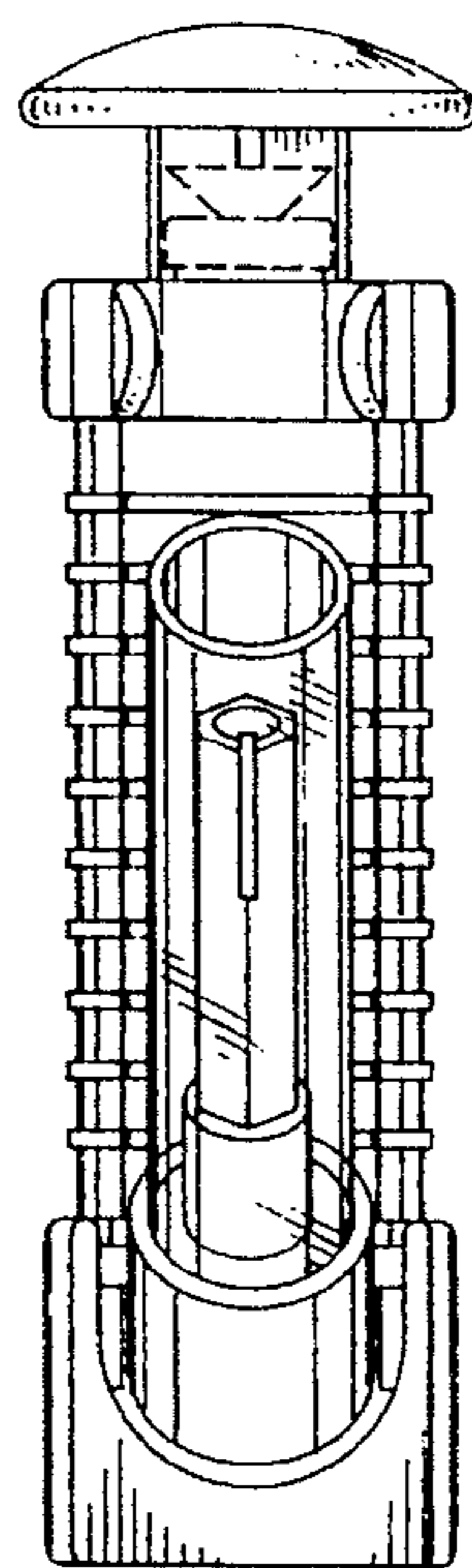


FIG. 6

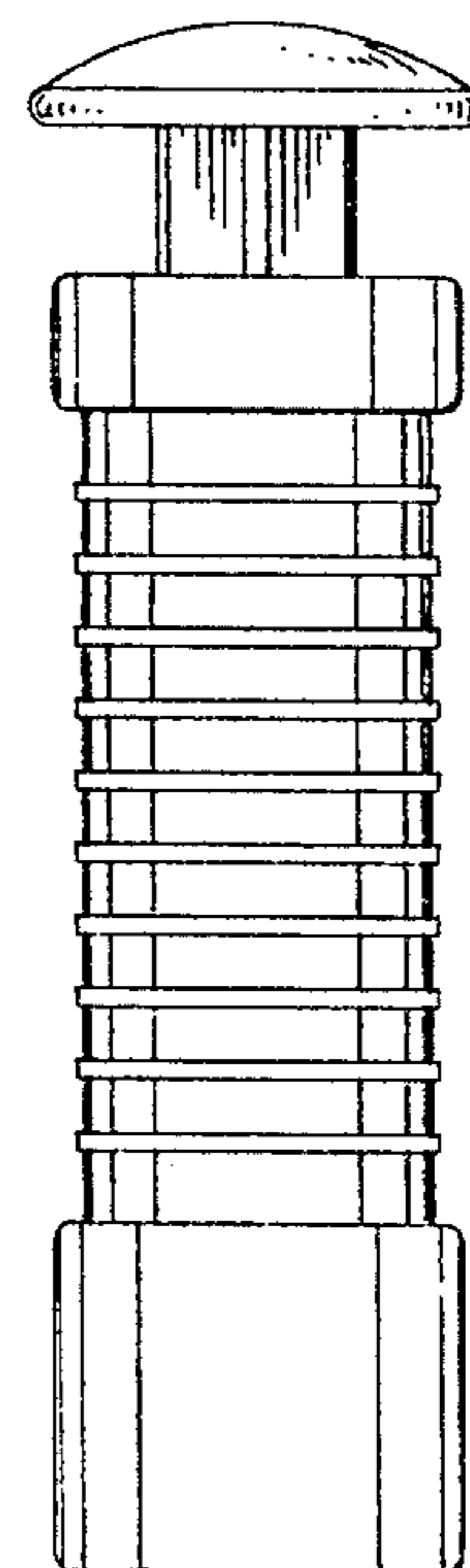


FIG. 7

FIG. 8

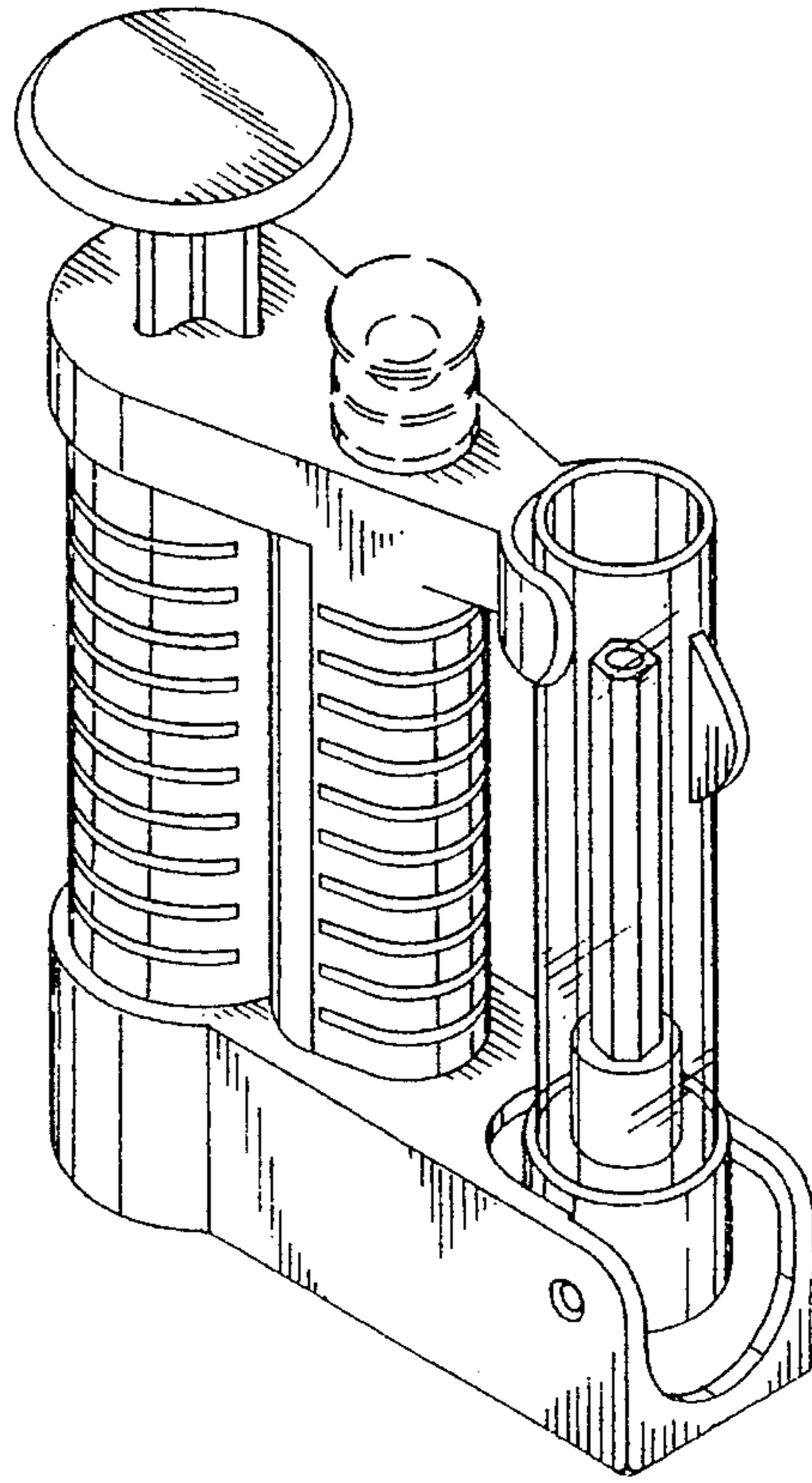


FIG. 9

