



US00D368279S

United States Patent [19]

Dallal

[11] Patent Number: **Des. 368,279**

[45] Date of Patent: ****Mar. 26, 1996**

[54] **COMBINED COUPON HOLDER AND ADVERTISING DISPLAY FOR STORE SHELVING**

[75] Inventor: **Frederic H. Dallal**, New York, N.Y.

[73] Assignee: **Media Holdings, Inc.**, New York, N.Y.

[**] Term: **14 Years**

[21] Appl. No.: **33,154**

[22] Filed: **Jan. 5, 1995**

[52] U.S. Cl. **D20/43**

[58] Field of Search D20/10, 39, 40, D20/41, 42, 43, 44; 40/1, 124, 124.1, 124.2, 124.4, 299, 640, 641, 642, 644, 493, 584

[56] **References Cited**

U.S. PATENT DOCUMENTS

D. 249,766	10/1978	Mann	D20/43
D. 306,878	3/1990	Crowley	D20/43
D. 334,216	3/1993	Bacon	D20/40
D. 335,790	5/1993	DeGasperi et al.	..	
D. 354,775	1/1995	Dobson	D20/42
2,981,018	4/1961	Hopp et al.	D20/43
4,209,108	6/1980	Winans	.	
4,981,235	1/1991	Ferrini et al.	..	
5,097,981	3/1992	DeGasperi et al.	..	

5,249,705 10/1993 Gates .

Primary Examiner—A. Hugo Word
Assistant Examiner—Marcus Jackson
Attorney, Agent, or Firm—Dilworth & Barrese

[57] **CLAIM**

The ornamental design for an combined coupon holder and advertising display for store shelving, as shown and described.

DESCRIPTION

FIG. 1 is a perspective view of a combined coupon holder and advertising display for store shelving showing my new design, with the broken line showing for illustrative purposes only and forming no part of the claimed design; FIG. 2 is a right side view thereof; The left side view is not shown, but is a mirror image of the right side view of FIG. 2. In all other respects it is identical to FIG. 2; FIG. 3 is a top plan view thereof; FIG. 4 is a front view thereof; FIG. 5 is a rear view thereof; FIG. 6 is a bottom plan view thereof; and, FIG. 7 is a perspective view thereof; with the broken line showing for illustrative purposes only and forming no part of the claimed design.

1 Claim, 4 Drawing Sheets

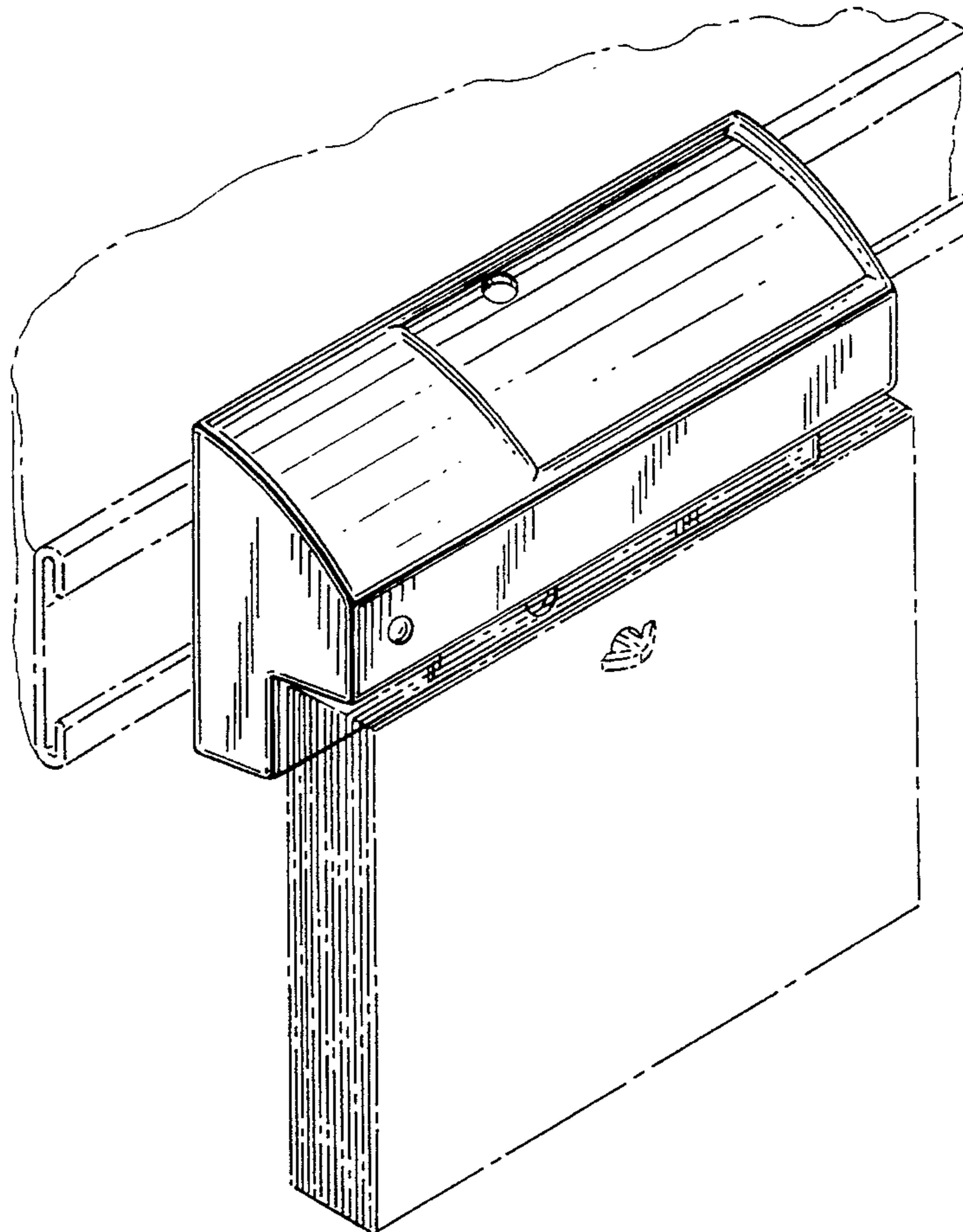


FIG. 1

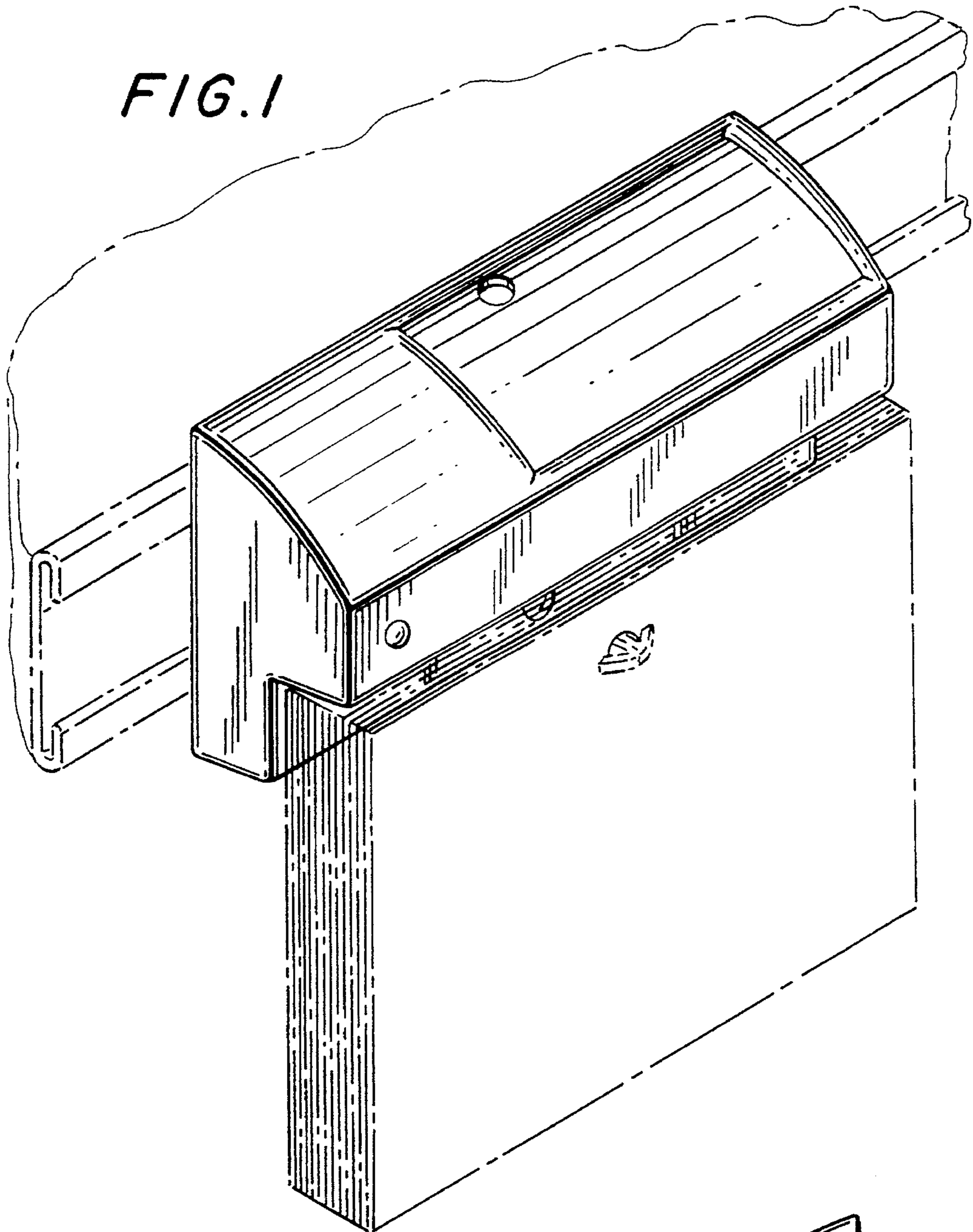


FIG. 2

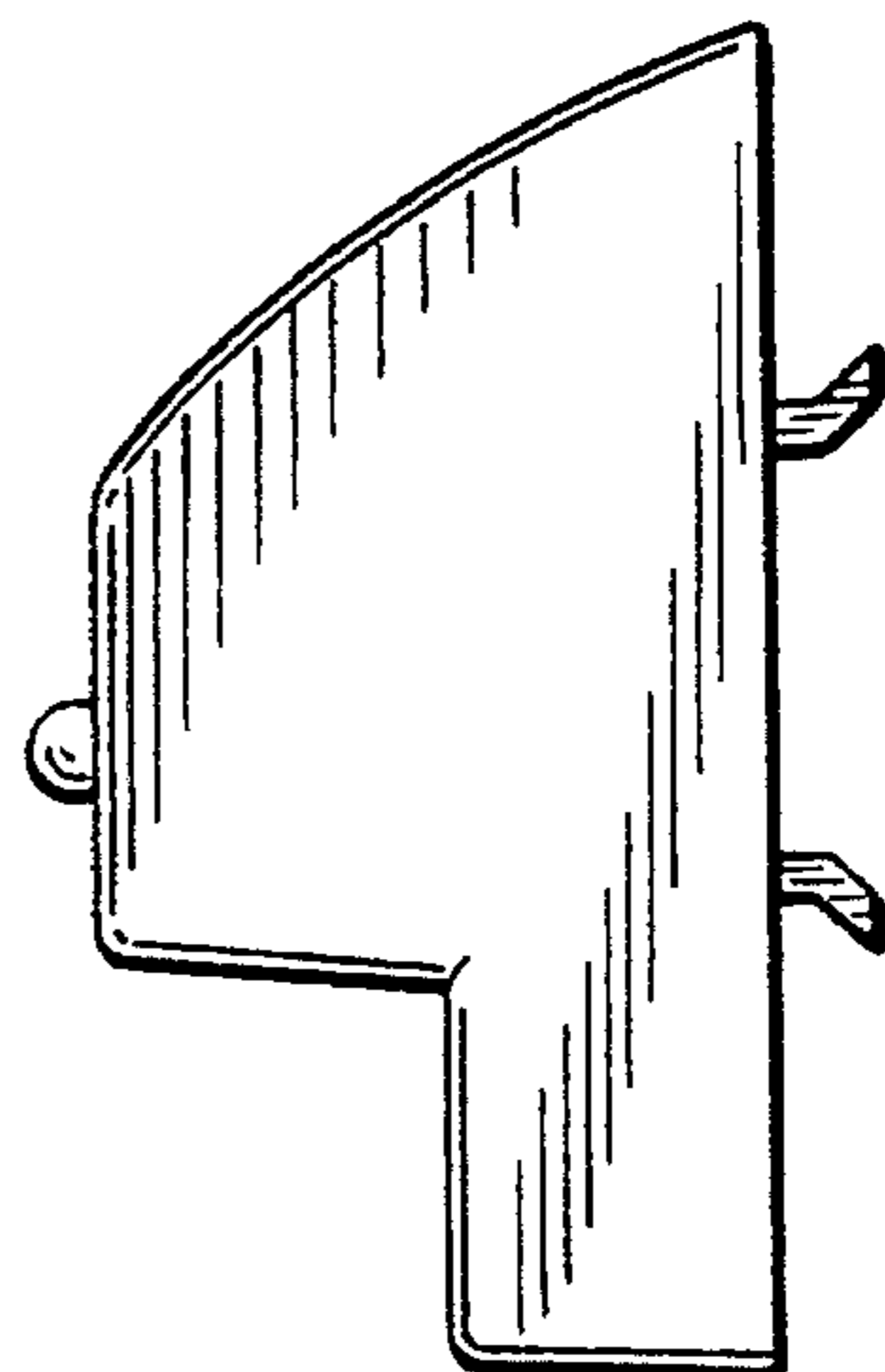


FIG. 3

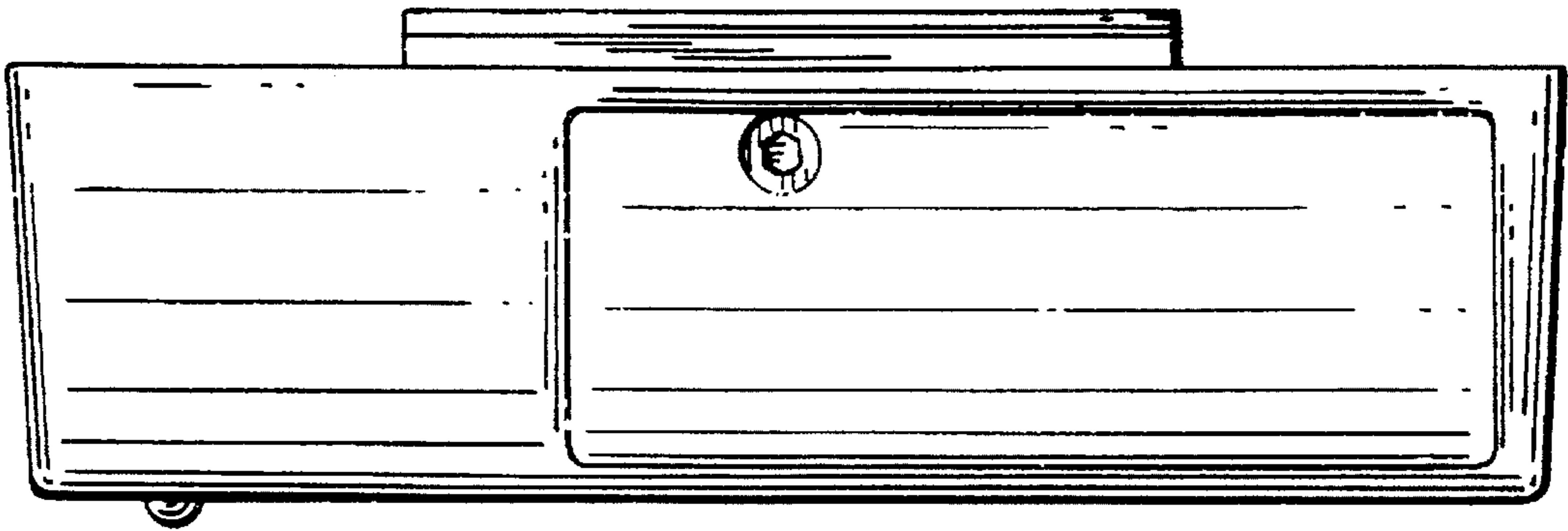


FIG. 4

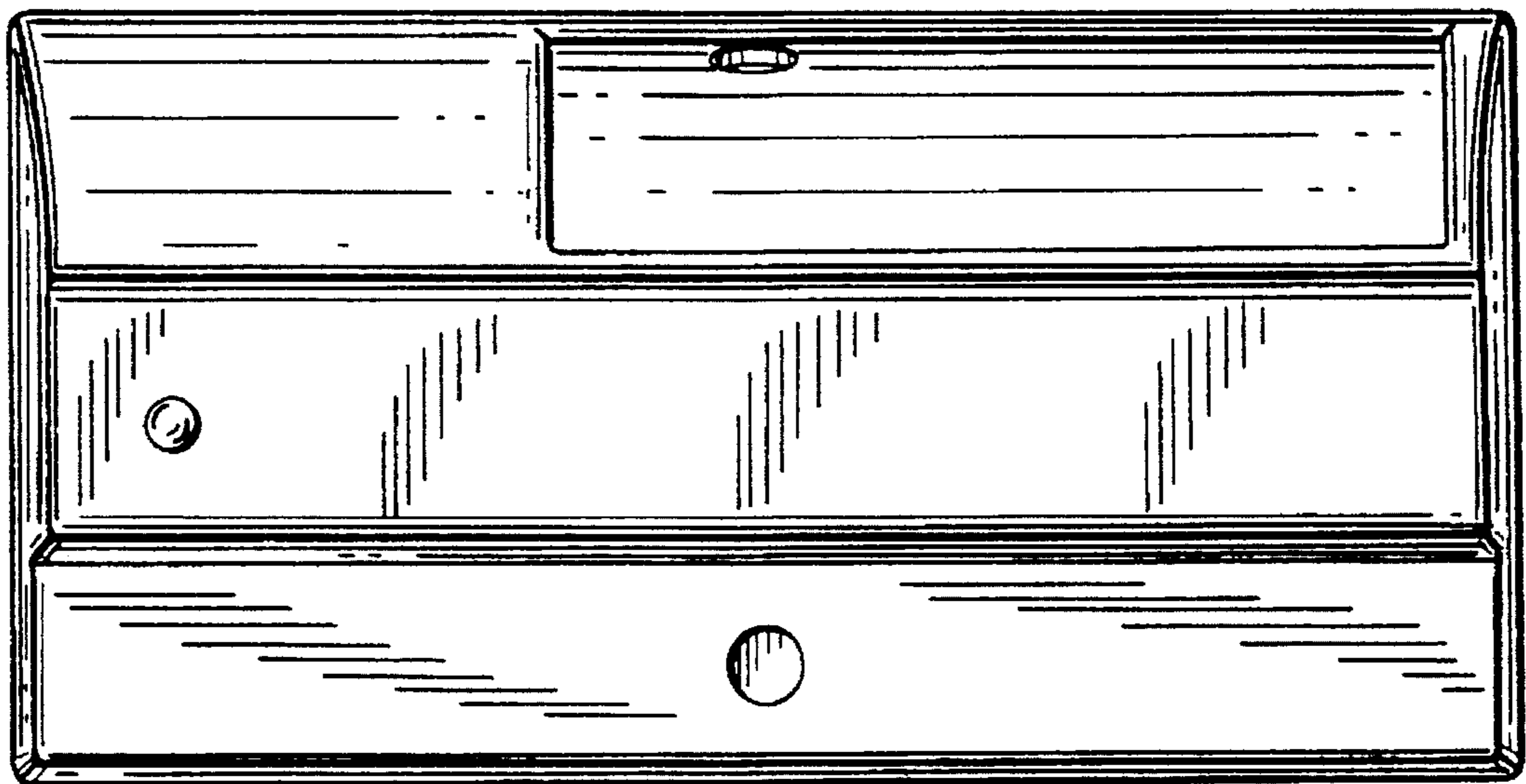


FIG. 5

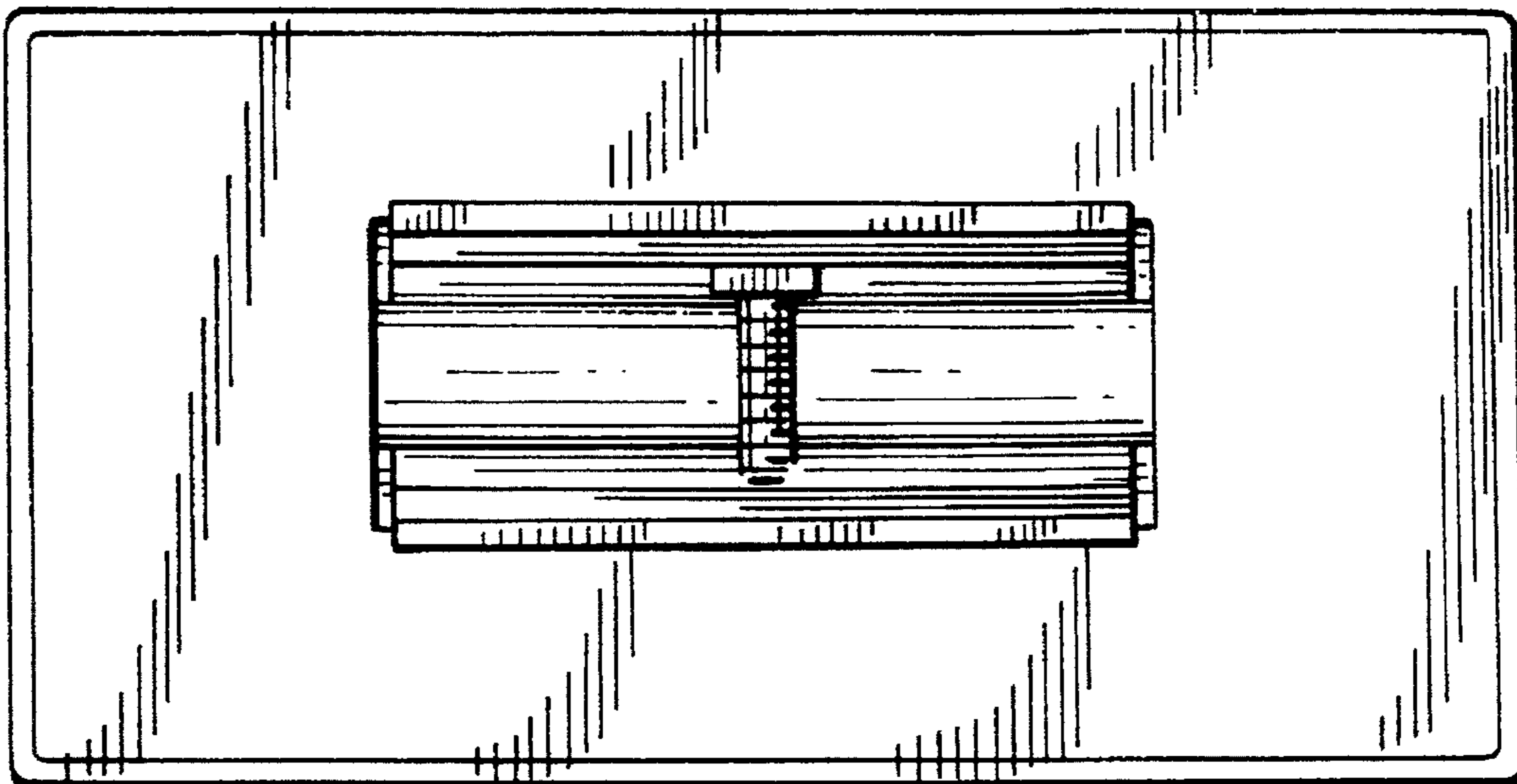


FIG. 6

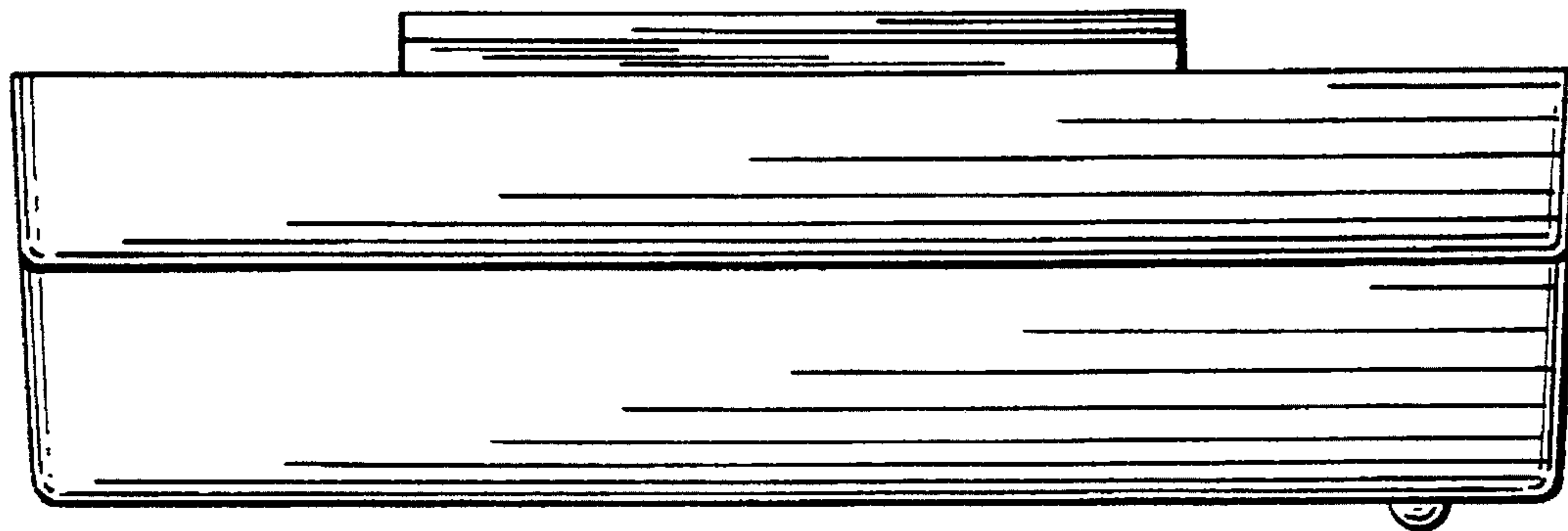


FIG. 7

