



US00D368270S

United States Patent [19]

[11] Patent Number: **Des. 368,270**

Jue

[45] Date of Patent: ****Mar. 26, 1996**

[54] **ANTENNA PERFORMANCE ANALYZER**

4,879,437 11/1989 Dard et al. D13/162 X

[75] Inventor: **Martin F. Jue**, Starkville, Miss.

OTHER PUBLICATIONS

[73] Assignee: **MFJ Enterprises, Inc.**, Starkville, Miss.

Single page of advertisement from Jan. 1993, CQ Amateur Radio, p. 33 showing SWR Analyzers: 1. MFJ-249; and 2. MFG-209, 207, 208, 203, and 205.

[**] Term: **14 Years**

Primary Examiner—Antoine Duval Davis
Attorney, Agent, or Firm—Kilpatrick & Cody; James L. Ewing, IV

[21] Appl. No.: **29,324**

[22] Filed: **Oct. 3, 1994**

[57] CLAIM

Related U.S. Application Data

The ornamental design for an antenna performance analyzer, as shown and described.

[63] Continuation of Ser. No. 10,962, Jul. 21, 1993, abandoned.

DESCRIPTION

[52] U.S. Cl. **D10/75**

[58] Field of Search D10/46, 48, 49, D10/75, 78; D13/152, 162, 184; D14/137, 188, 265; 116/241, 259, 261, 263; 324/77 R, 77 B, 77 BC, 77 C, 156; 333/17.3, 167, 175, 176; 340/825.65; 455/150.1, 151.3, 151.4, 157.1, 296

FIG. 1 is a perspective view of an antenna performance analyzer according to the present design;

FIG. 2 is a front view of the antenna performance analyzer of FIG. 1;

FIG. 3 is a left side elevational view of the antenna performance analyzer of FIG. 1;

FIG. 4 is a top plan view of the antenna performance analyzer of FIG. 1;

FIG. 5 is a back elevational view of the antenna performance analyzer of FIG. 1;

FIG. 6 is a right side elevational view of the antenna performance analyzer of FIG. 1; and,

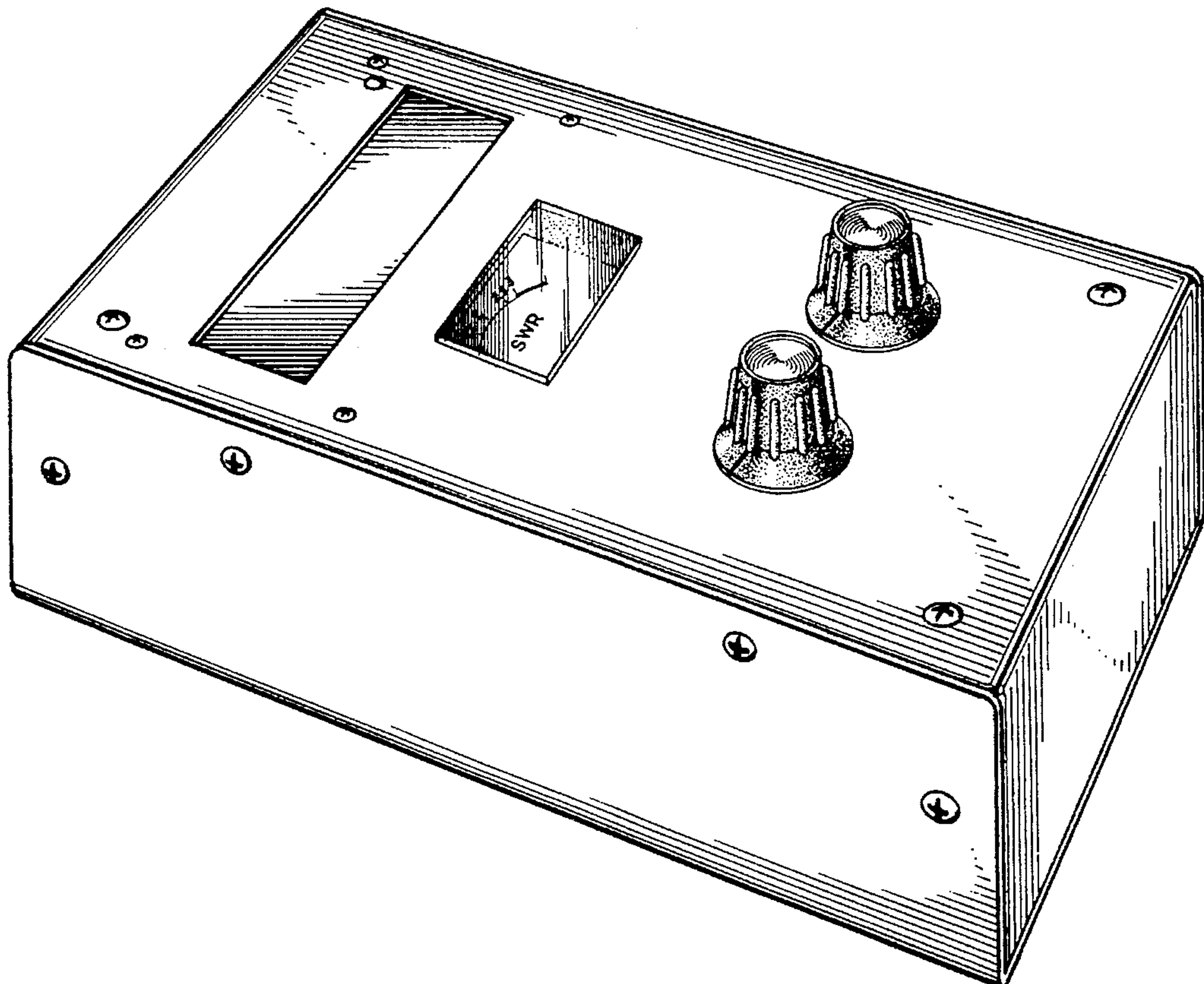
FIG. 7 is a bottom view of the antenna performance analyzer of FIG. 1.

[56] References Cited

U.S. PATENT DOCUMENTS

D. 189,619	1/1961	Barradas	D10/49
D. 220,969	5/1971	Lazzo, III	D13/162
D. 235,779	7/1975	Barr	D10/75 X
D. 249,658	9/1978	Fields	D10/78
D. 315,144	3/1991	Dard et al.	D13/162
3,806,797	4/1974	Harvey	324/156 X

1 Claim, 3 Drawing Sheets



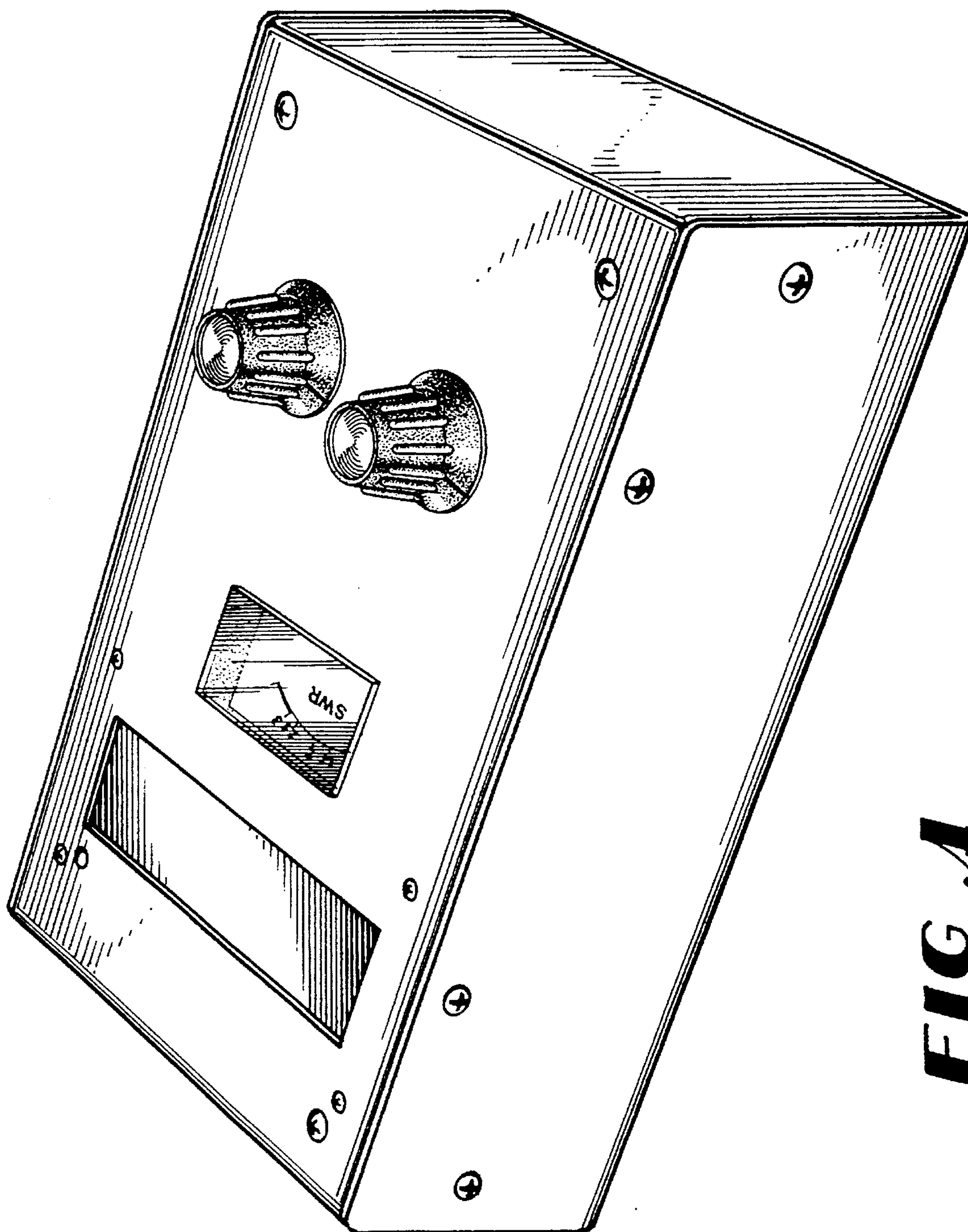


FIG. 1

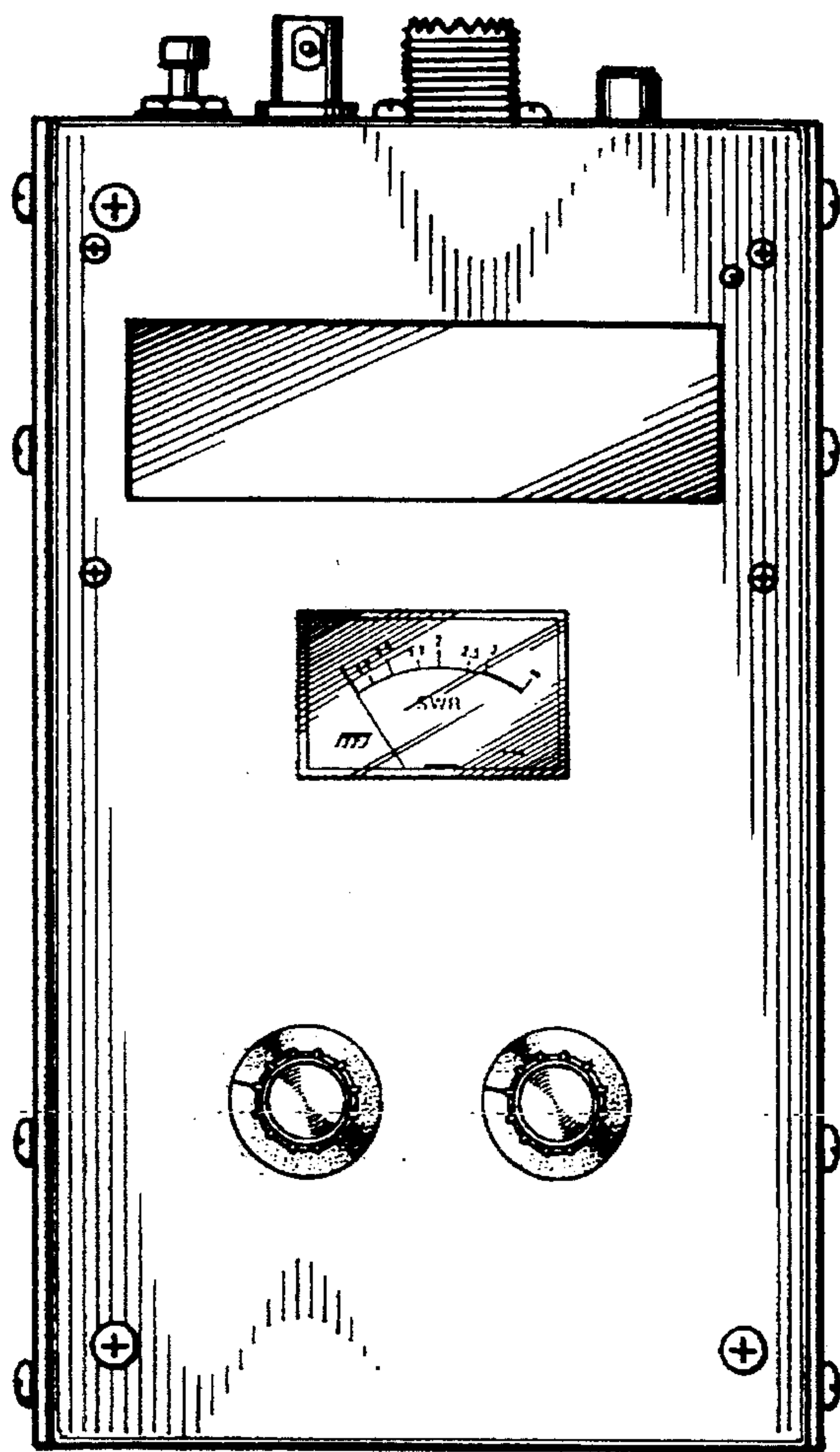


FIG 2

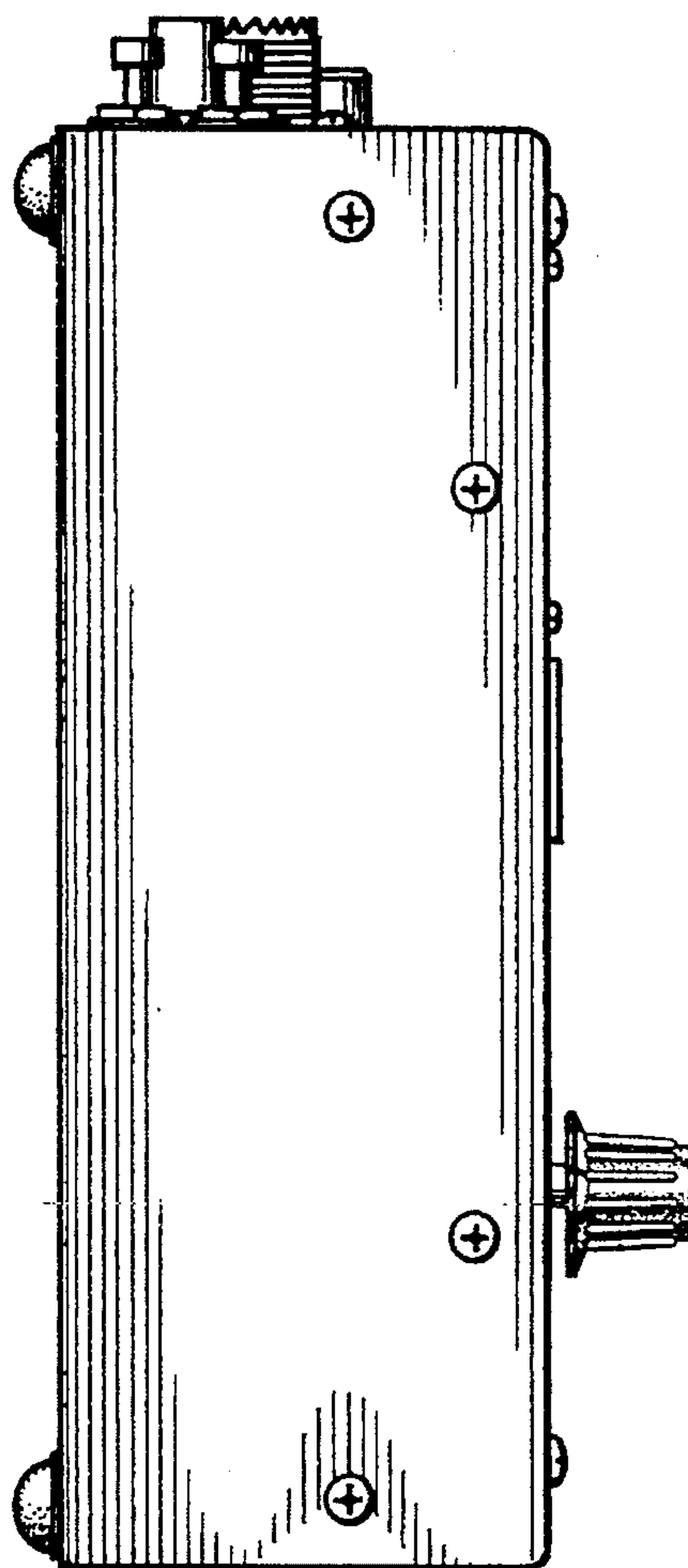


FIG 3

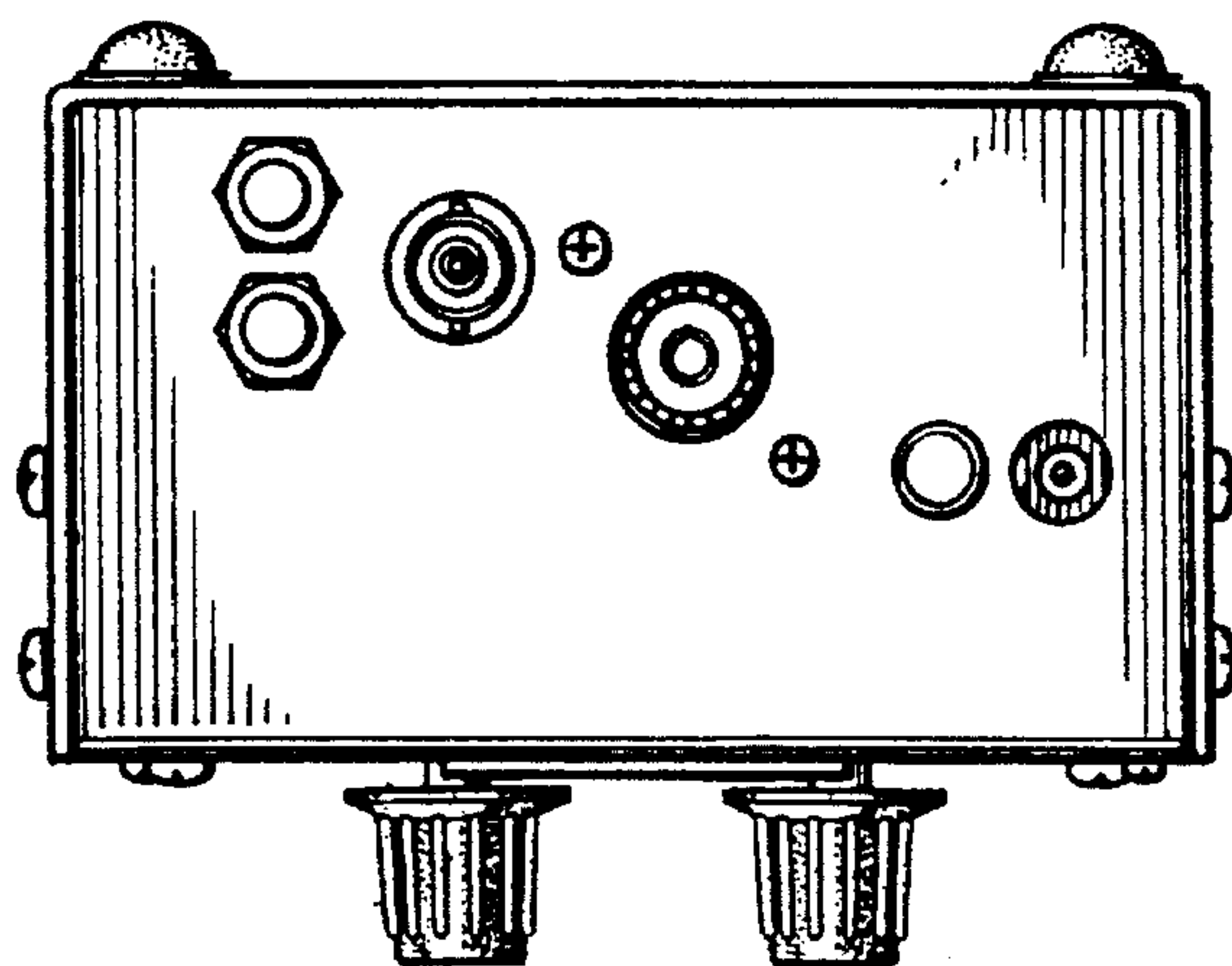


FIG 4

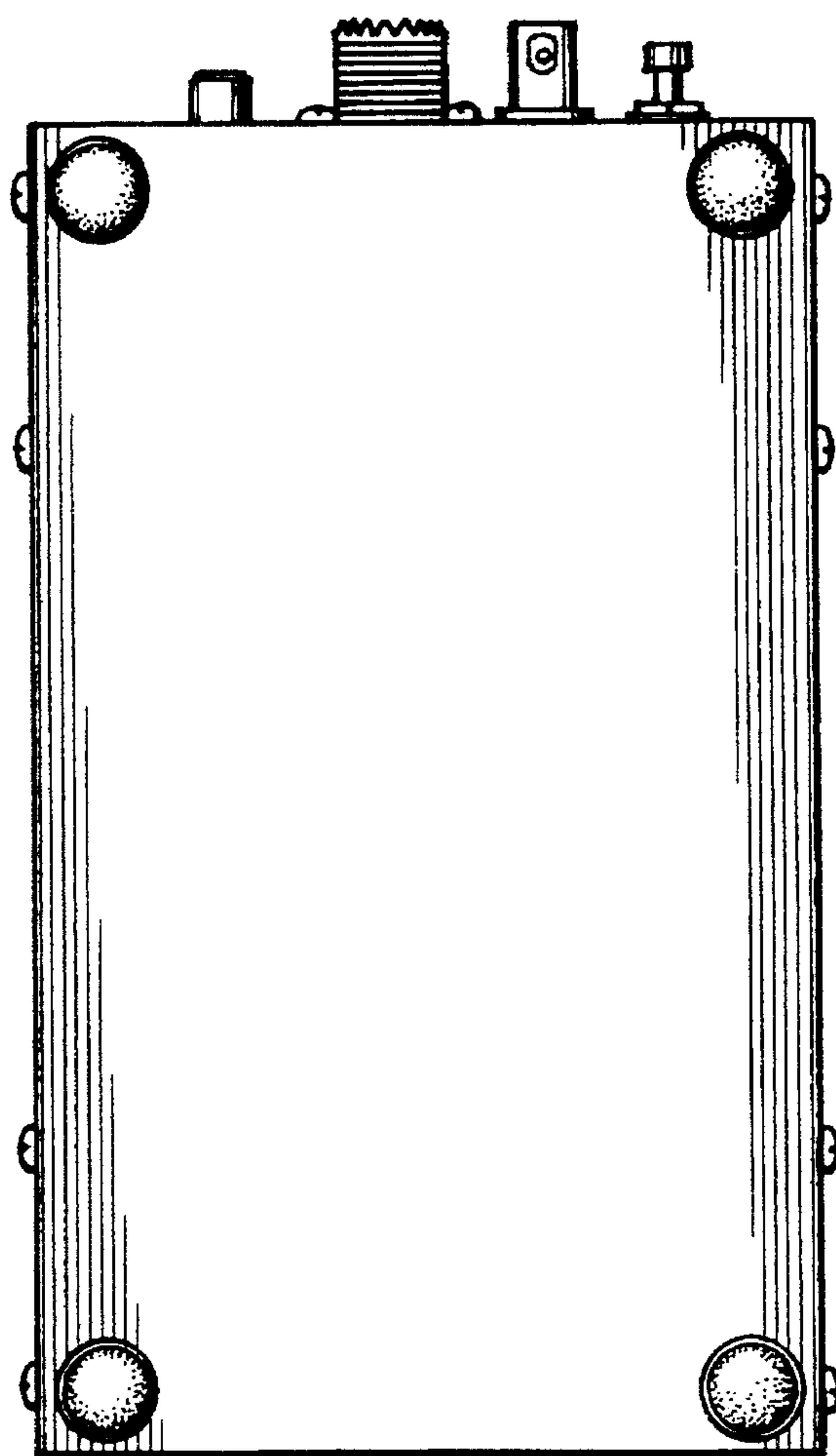


FIG 5

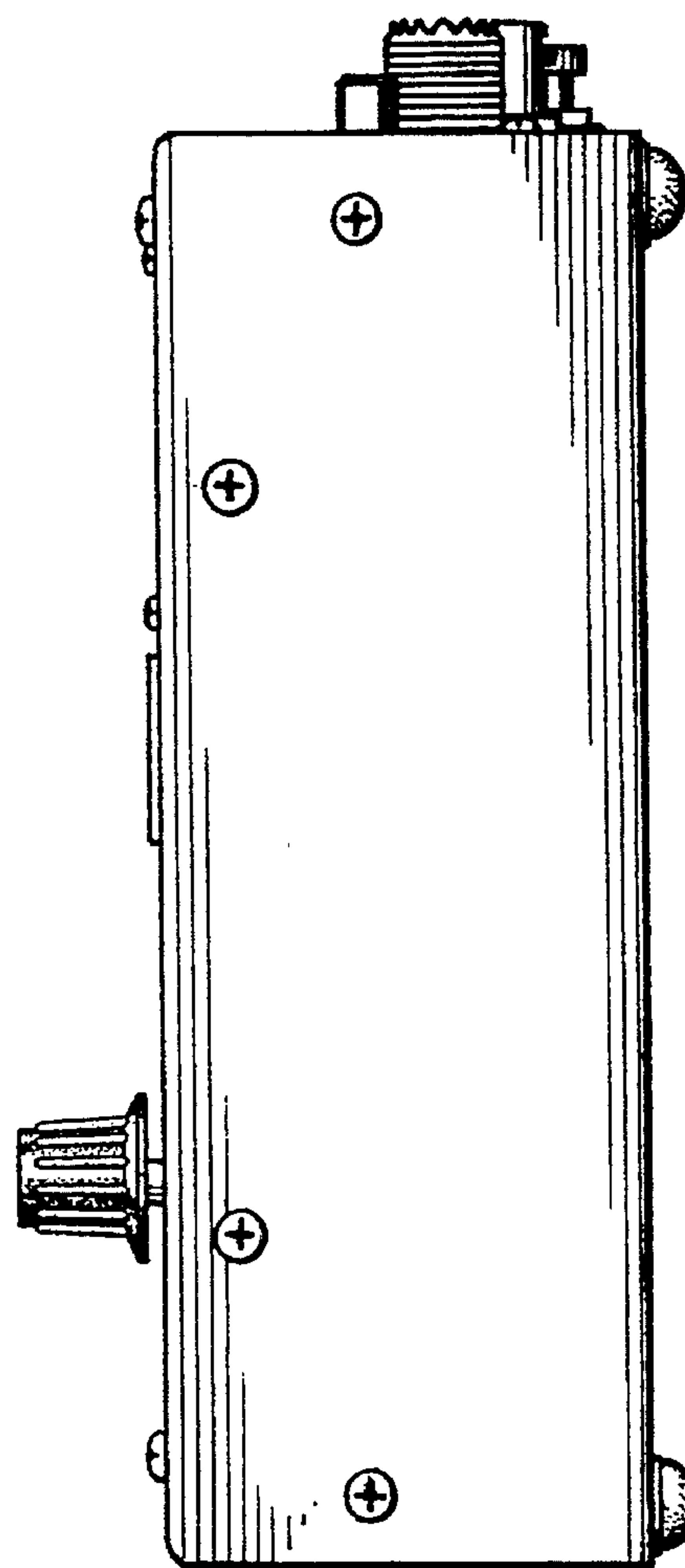


FIG 6

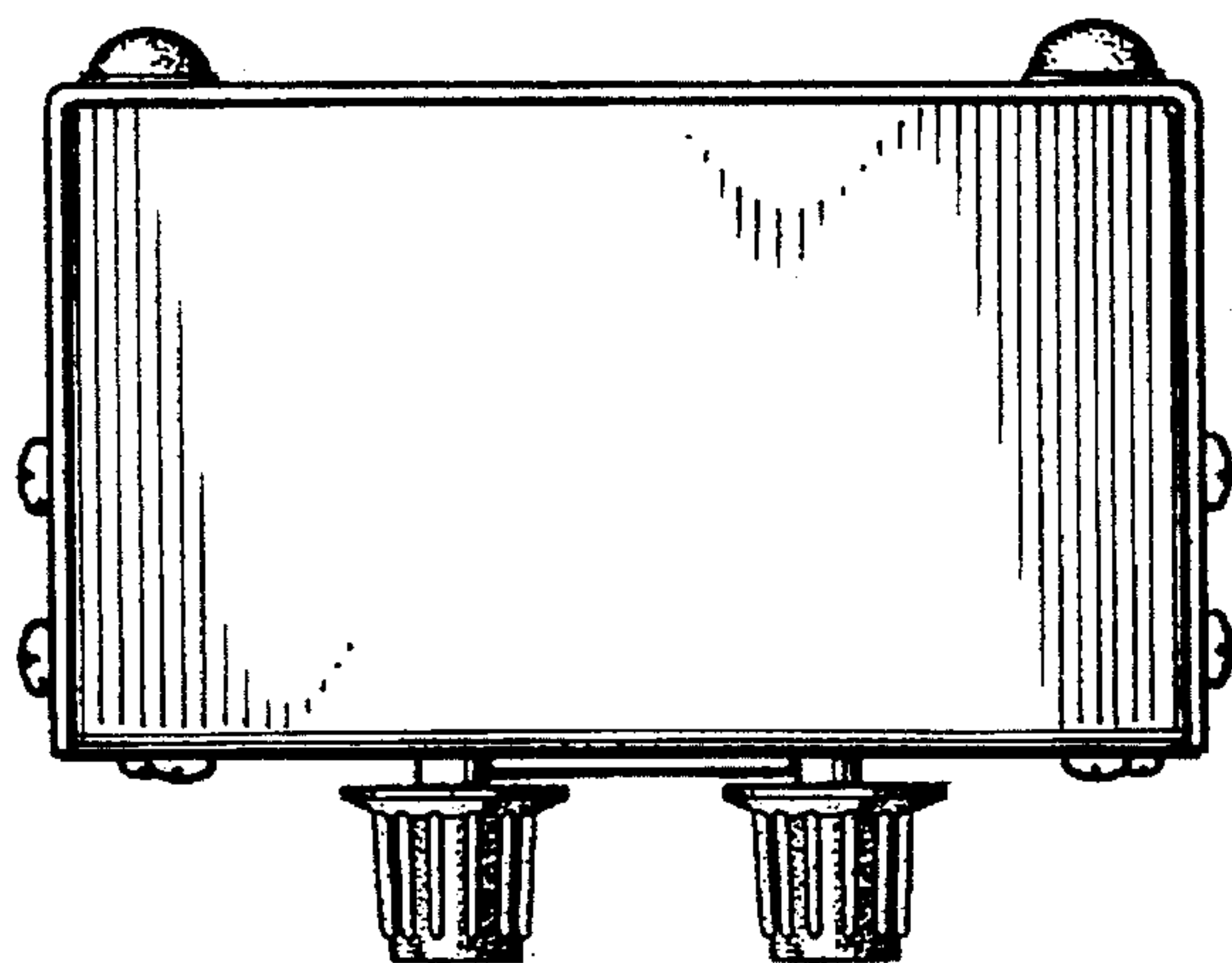


FIG 7