



US00D368268S

United States Patent [19]

Nichols et al.

[11] Patent Number: **Des. 368,268**

[45] Date of Patent: ****Mar. 26, 1996**

[54] TELEPHONE CRADLE

5,071,049	12/1991	Mozer	379/455 X
5,212,722	5/1993	Murata	379/58
5,282,246	1/1994	Yang	379/455

[76] Inventors: **John E. Nichols**, 1627 E. Butler Dr., Phoenix, Ariz. 85020; **Steven D. Dodds**, 16630 S. 28th Pl., Phoenix, Ariz. 85048; **Briggs B. Edney**, 325 S. Cathy Ct., Chandler, Ariz. 85226

Primary Examiner—Jeffrey Asch
Attorney, Agent, or Firm—Jordan M. Meschkow; Lowell W. Gresham

[**] Term: **14 Years**

[57] CLAIM

[21] Appl. No.: **32,850**

The ornamental design for a telephone cradle, as shown and described.

[22] Filed: **Dec. 30, 1994**

DESCRIPTION

[52] U.S. Cl. **D14/251**; D14/149

[58] Field of Search D14/107, 114, D14/137, 138, 147, 148, 149, 142, 251-253, 140, 240; D13/107, 108; 320/2, 3; 379/58-61, 419, 420, 433-436, 454, 455, 428, 440

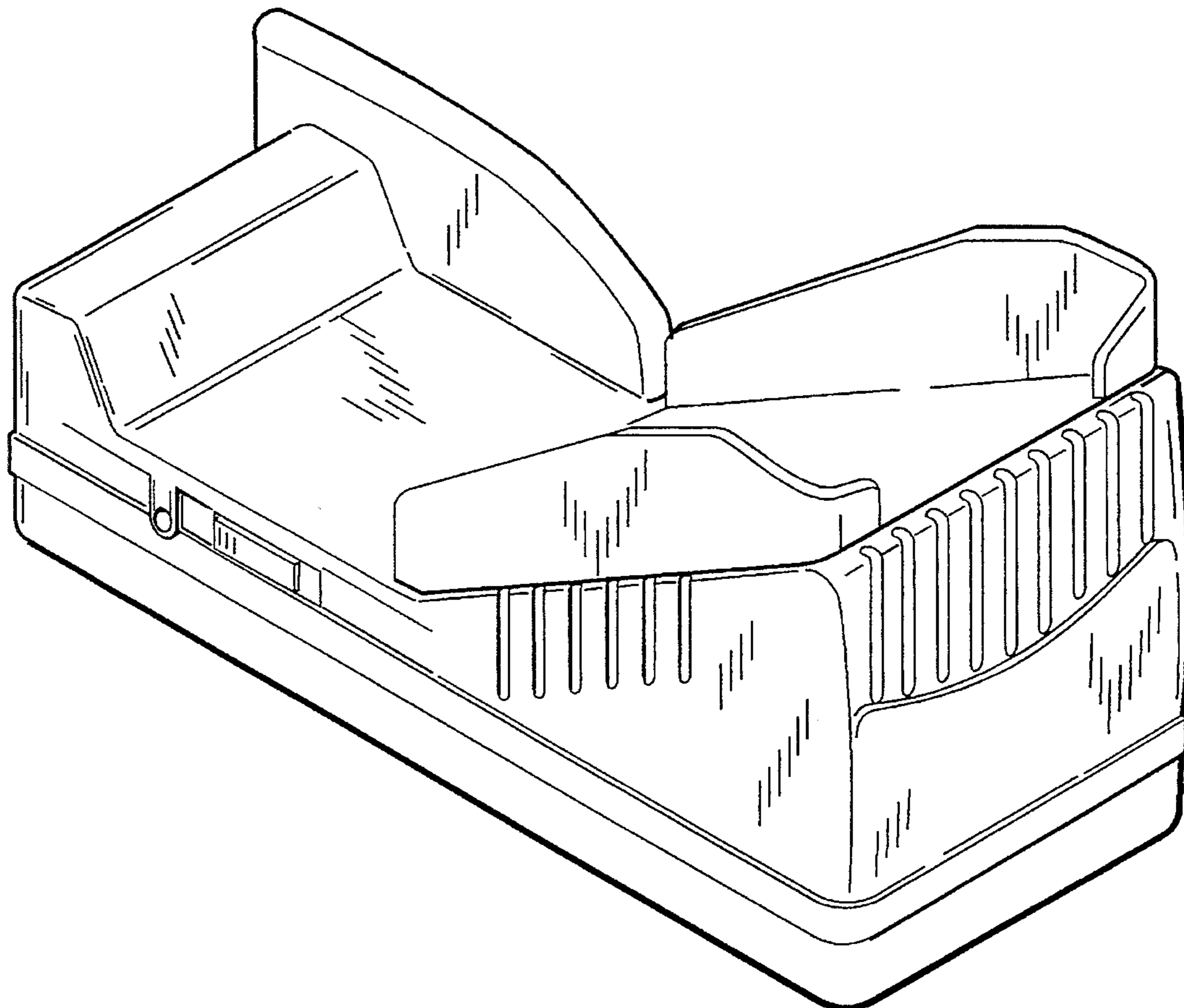
FIG. 1 is a front perspective view of a telephone cradle, showing our new design therefor;
FIG. 2 is a frontal view of our new design for a telephone cradle;
FIG. 3 is a rear view of our new design for a telephone cradle;
FIG. 4 is a side view of our new design for a telephone cradle, showing the left side;
FIG. 5 is a side view of our new design for a telephone cradle, showing the right side;
FIG. 6 is a top plan view of our new design for a telephone cradle; and,
FIG. 7 is a bottom plan view of our new design for a telephone cradle.

[56] References Cited

U.S. PATENT DOCUMENTS

D. 275,482	9/1984	Coons et al.	D14/253
D. 301,455	6/1989	Hotsumi et al.	D13/108
D. 301,474	6/1989	Hotsumi et al.	D14/142
D. 314,173	1/1991	Soren	D13/108
D. 315,161	3/1991	Watanabe	D14/253
D. 344,082	2/1994	Lafreniere et al.	D14/149 X
D. 354,961	1/1995	Richards et al.	D14/253
5,033,709	7/1991	Yuen	379/454 X

1 Claim, 3 Drawing Sheets



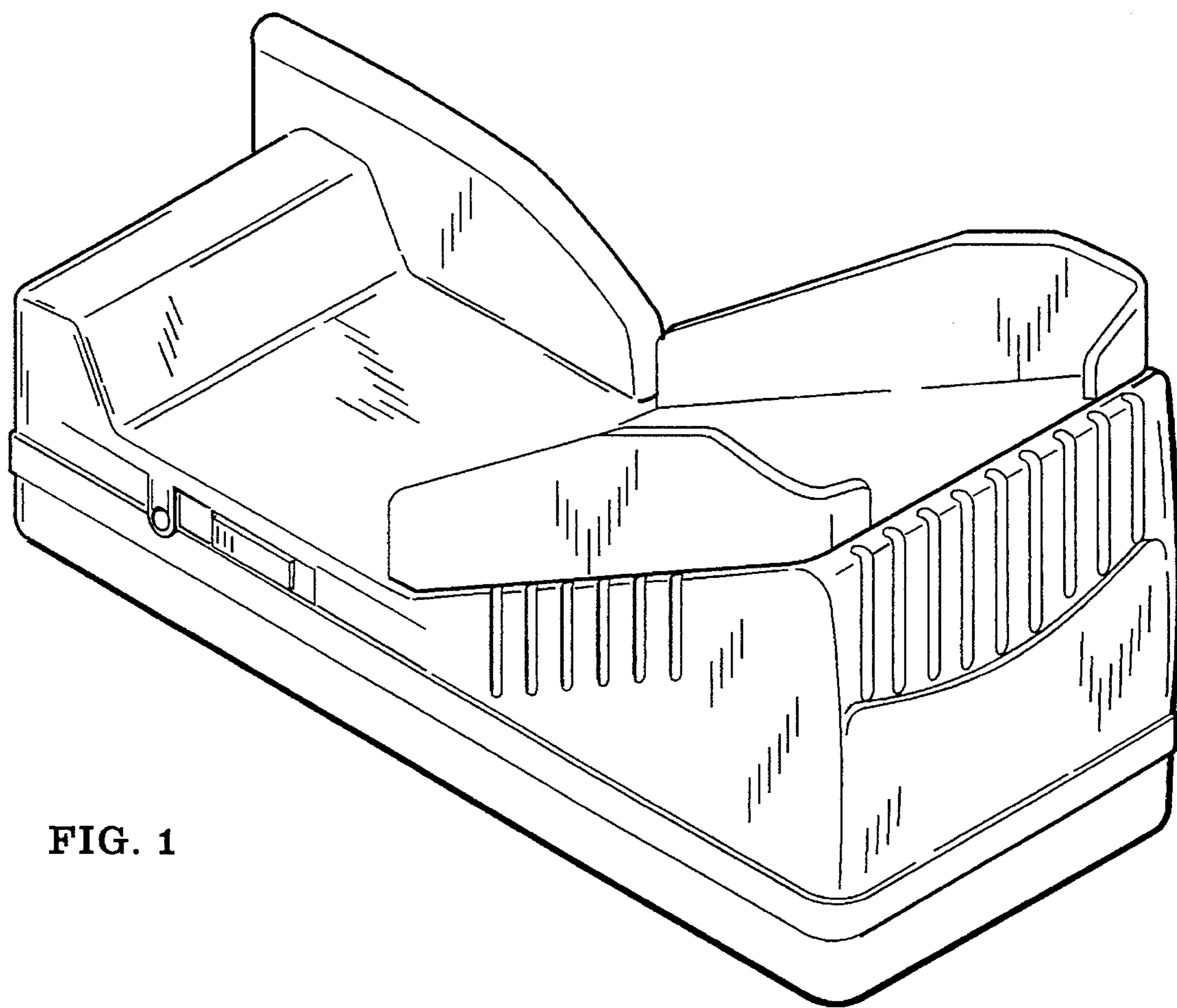


FIG. 1

FIG. 2

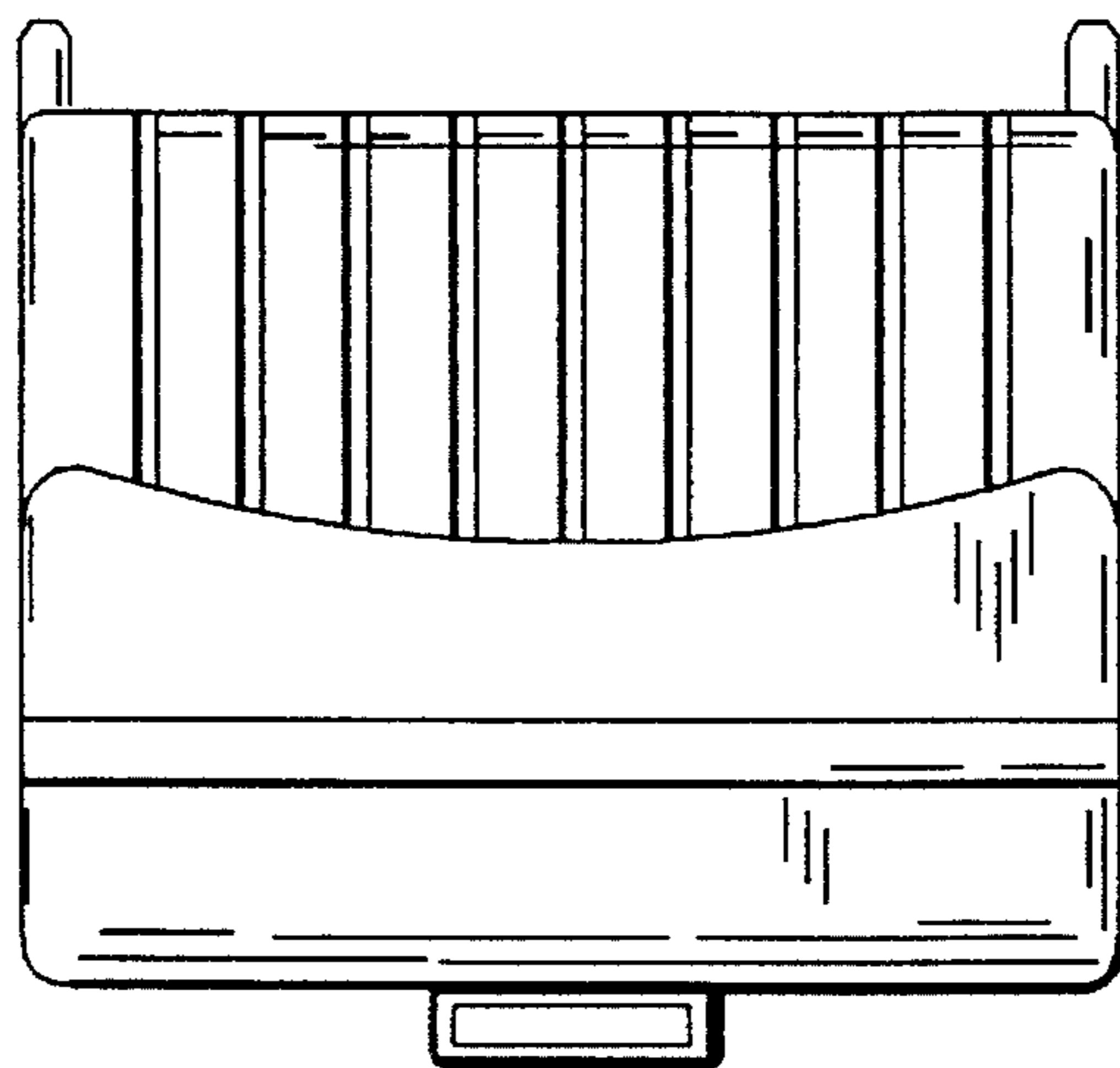


FIG. 3

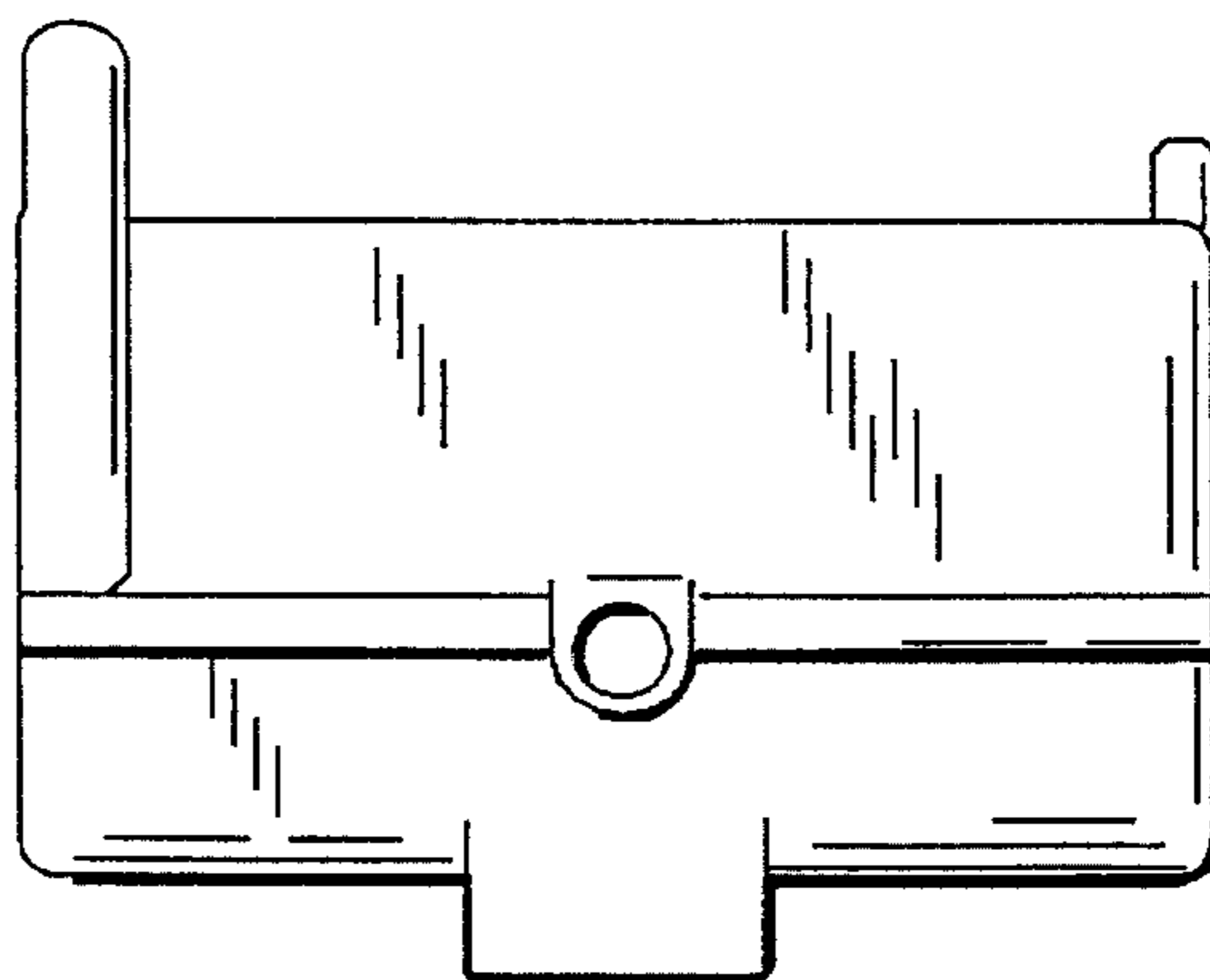
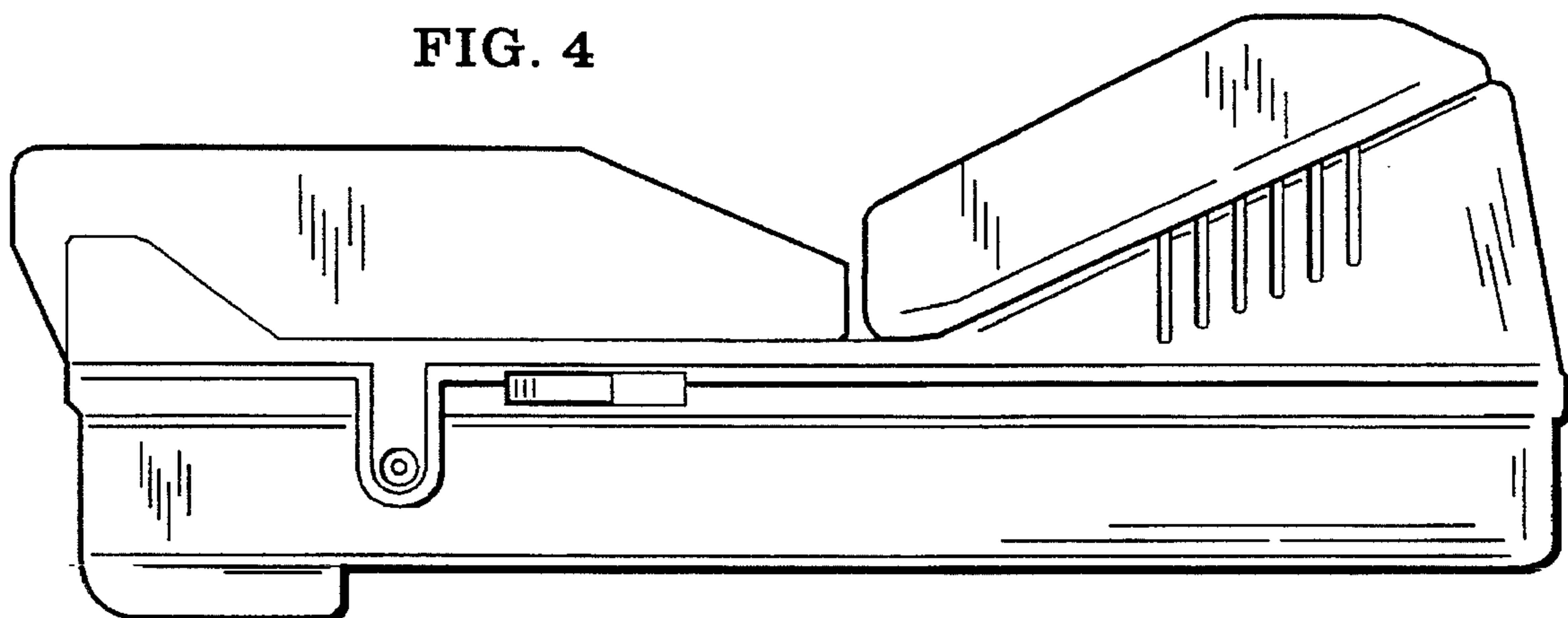


FIG. 4



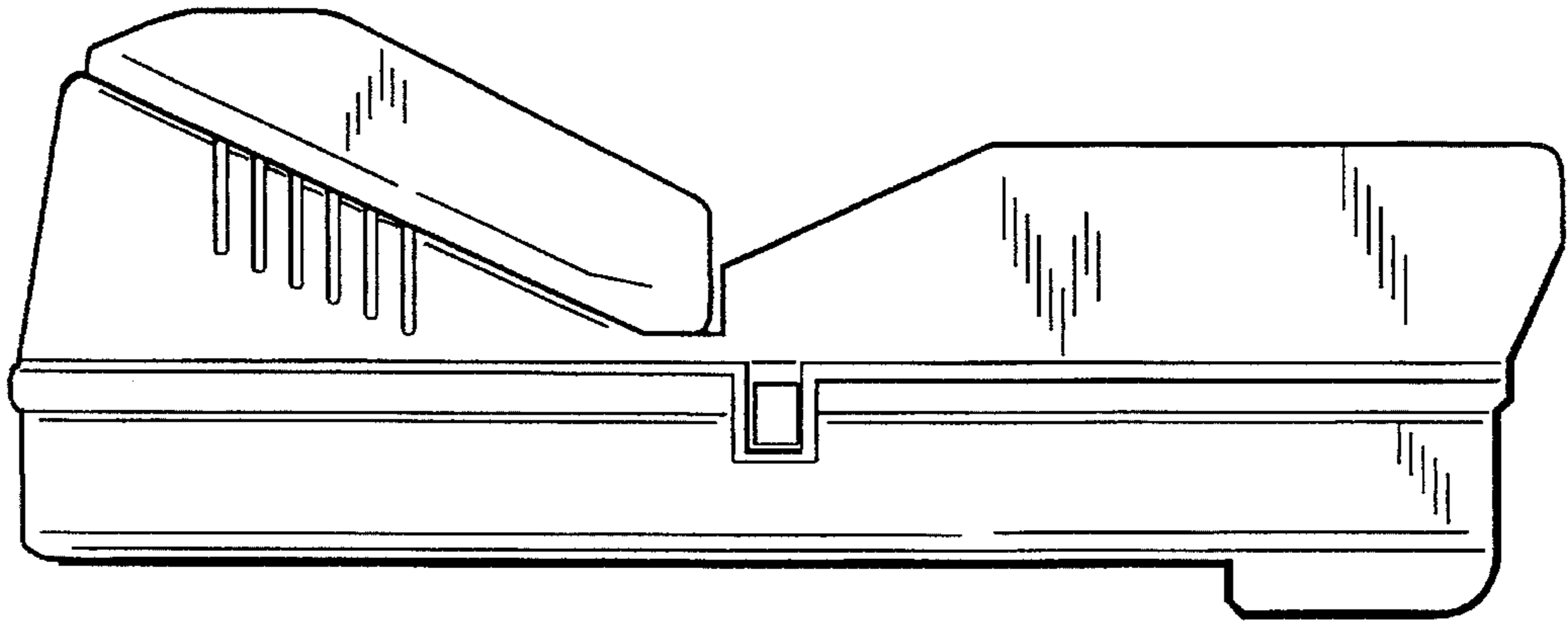


FIG. 5

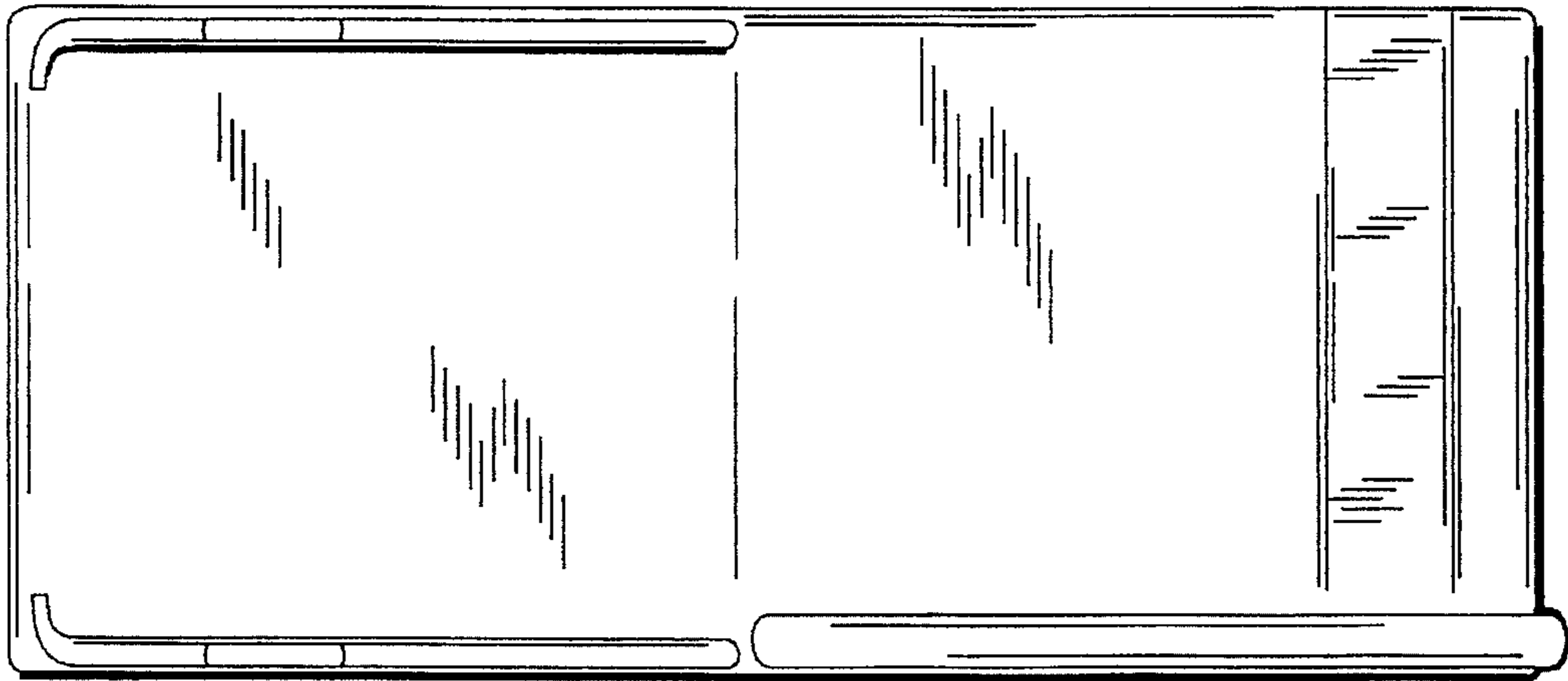


FIG. 6

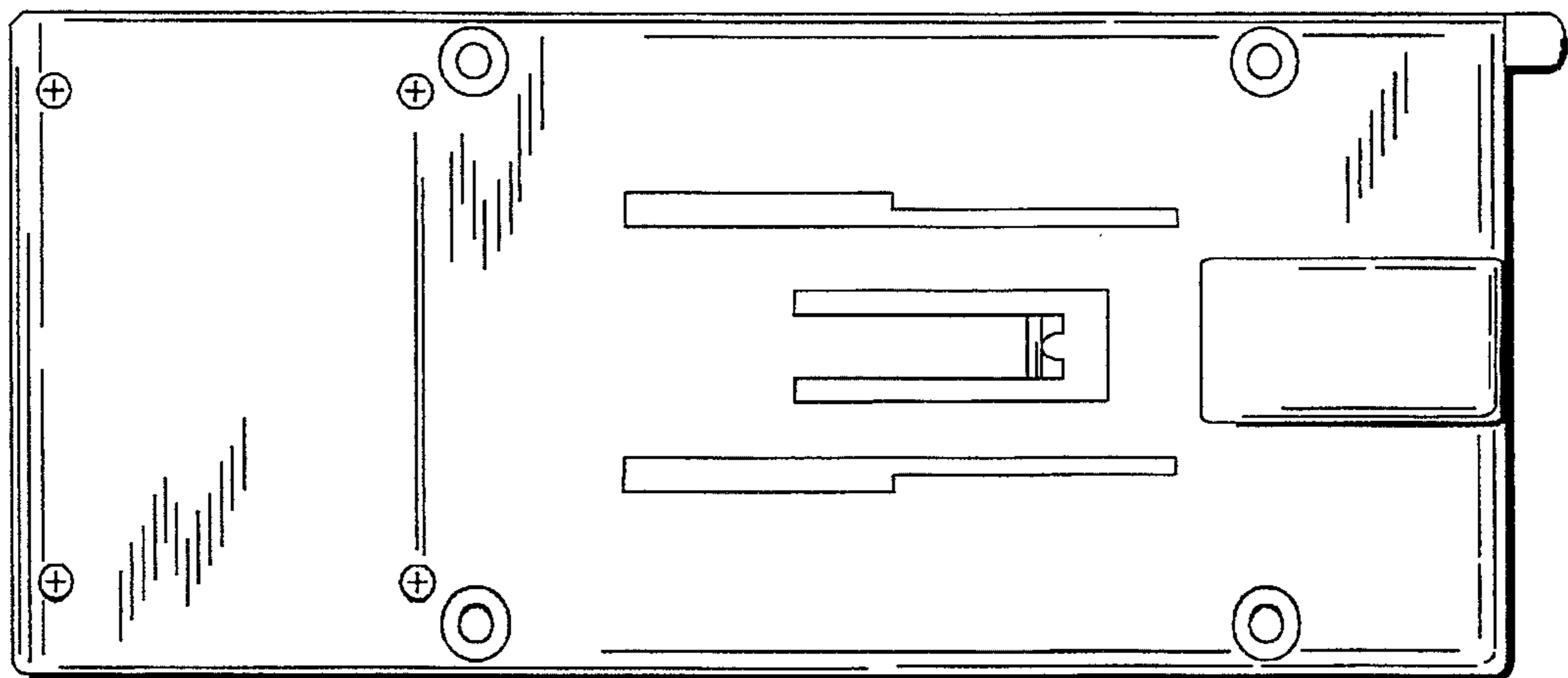


FIG. 7