



US00D368266S

United States Patent [19]

McClain et al.

[11] Patent Number: **Des. 368,266**

[45] Date of Patent: ****Mar. 26, 1996**

[54] **REMOTE COMMUNICATIONS INTERFACE**

[75] Inventors: **Steven A. McClain**, Burnaby; **Freddie K. H. Tsang**, Vancouver, Canada

[73] Assignee: **TVI Interactive Systems Inc.**, Burnaby, Canada

[**] Term: **14 Years**

[21] Appl. No.: **29,153**

[22] Filed: **Sep. 29, 1994**

Related U.S. Application Data

[63] Continuation-in-part of Ser. No. 20,682, Mar. 31, 1994, Pat. No. Des. 362,445.

[52] U.S. Cl. **D14/242; D14/107; D14/218**

[58] **Field of Search** D14/100, 107, D14/114, 240, 140, 242, 138, 248, 149, 191, 299, 256, 218; 439/131, 365; 361/683, 686, 679; D13/107, 108, 147, 146; 379/93, 441, 442; 375/8

[56] References Cited

U.S. PATENT DOCUMENTS

D. 288,434 2/1987 Gemmell D13/147

D. 289,997	5/1987	Rakocy et al.	D13/108
D. 290,460	6/1987	Pinz et al.	D14/240
D. 291,803	9/1987	Mantell	D14/240
D. 305,230	12/1989	Math	D14/299 X
D. 326,443	5/1992	Ingalsbe	D13/147
D. 327,071	6/1992	Derbyshire	D14/256
D. 336,302	6/1993	Kwang et al.	D14/299
D. 344,710	3/1994	Morgan et al.	D14/107
D. 354,940	1/1995	Speiser et al.	D13/147 X
5,097,388	3/1992	Buist et al.	361/686

Primary Examiner—Jeffrey Asch
Attorney, Agent, or Firm—Fetherstonhaugh & Co.

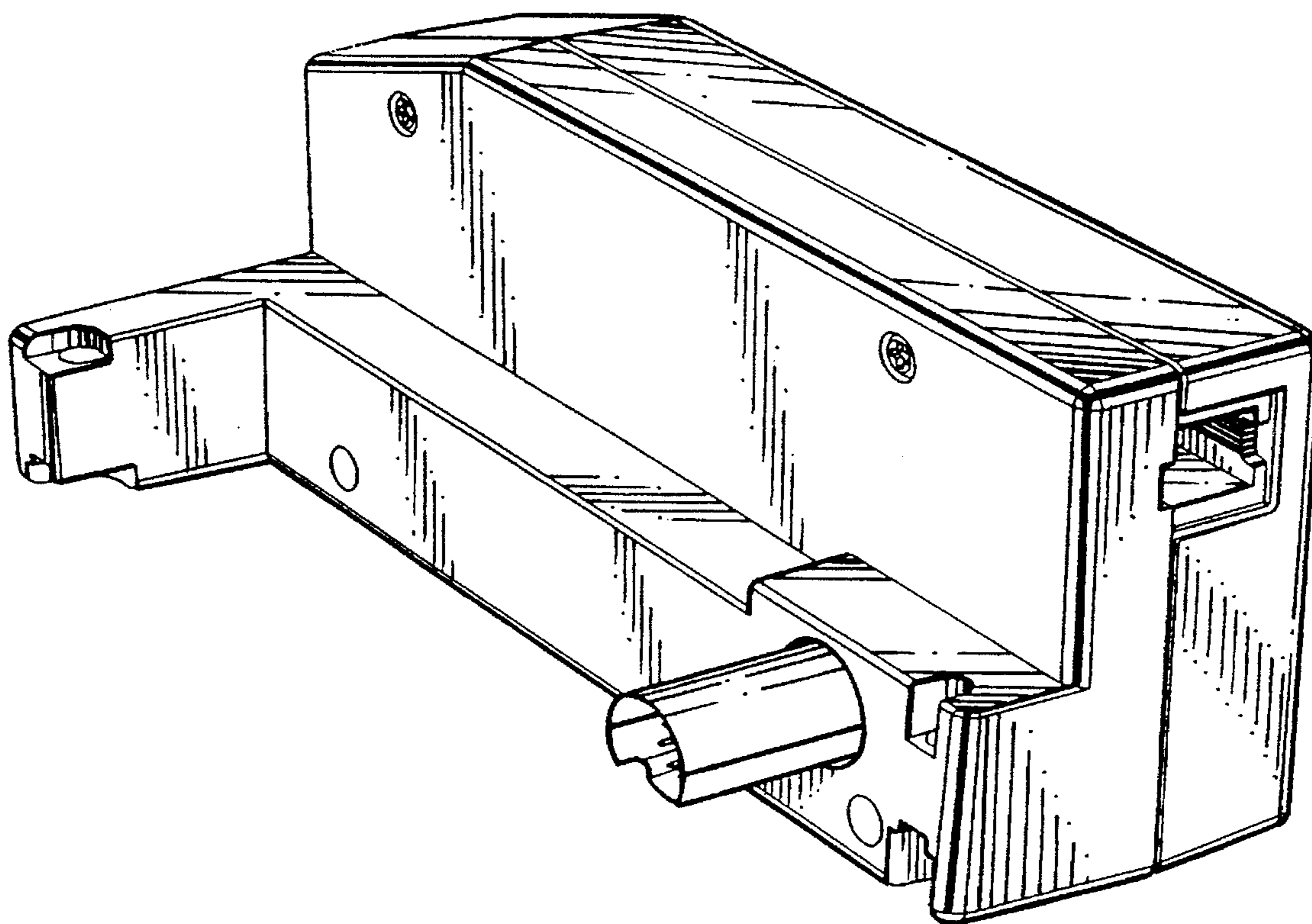
[57] CLAIM

The ornamental design for remote communications interface, as shown.

DESCRIPTION

FIG. 1 is a top rear perspective view of a remote communications interface showing our new design; FIG. 2 is a right side elevational view thereof; FIG. 3 is a left side elevational view thereof; FIG. 4 is a front elevational view thereof; FIG. 5 is a rear elevational view thereof; FIG. 6 is a bottom plan view thereof; and, FIG. 7 is a top view thereof.

1 Claim, 2 Drawing Sheets



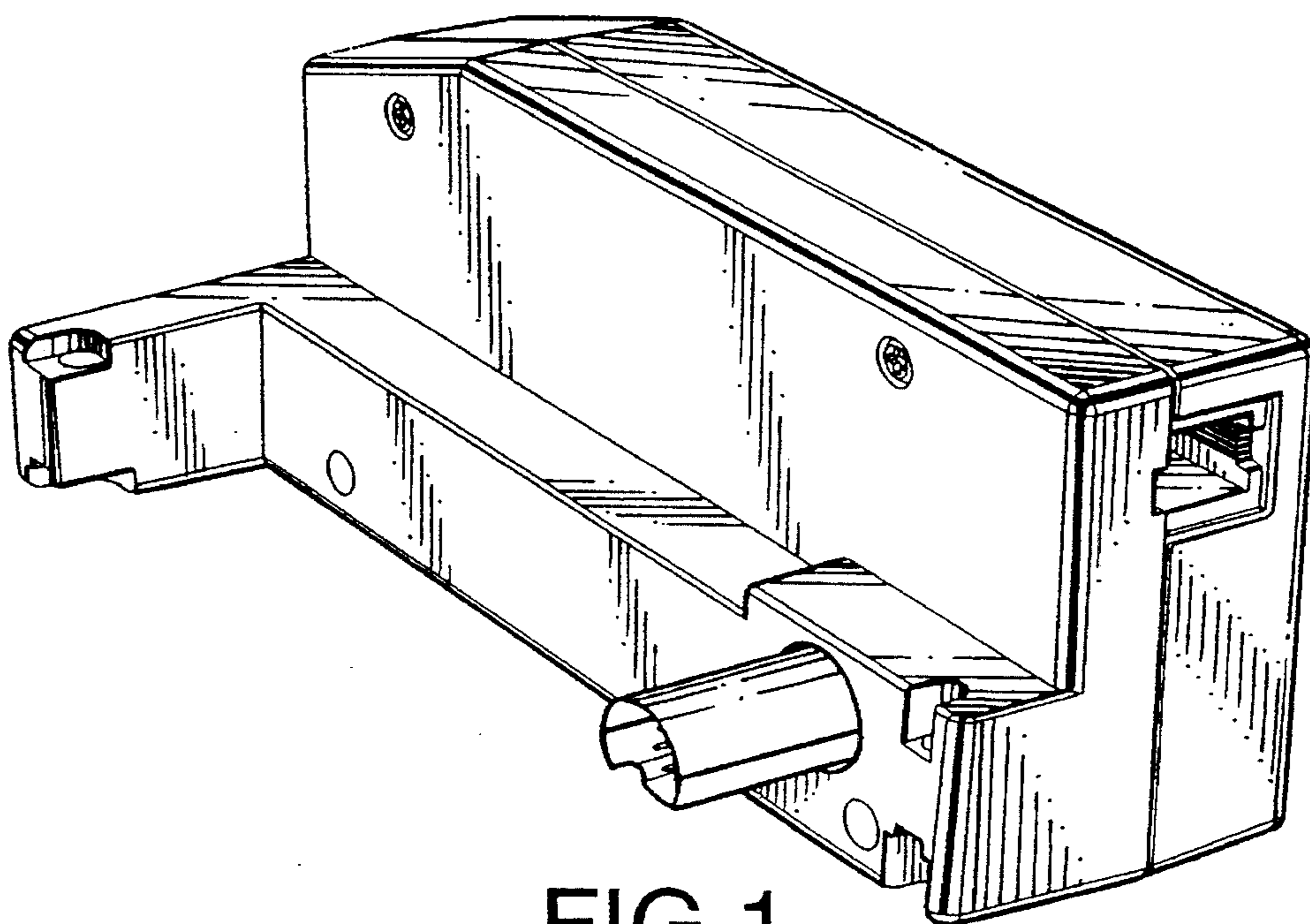


FIG. 1

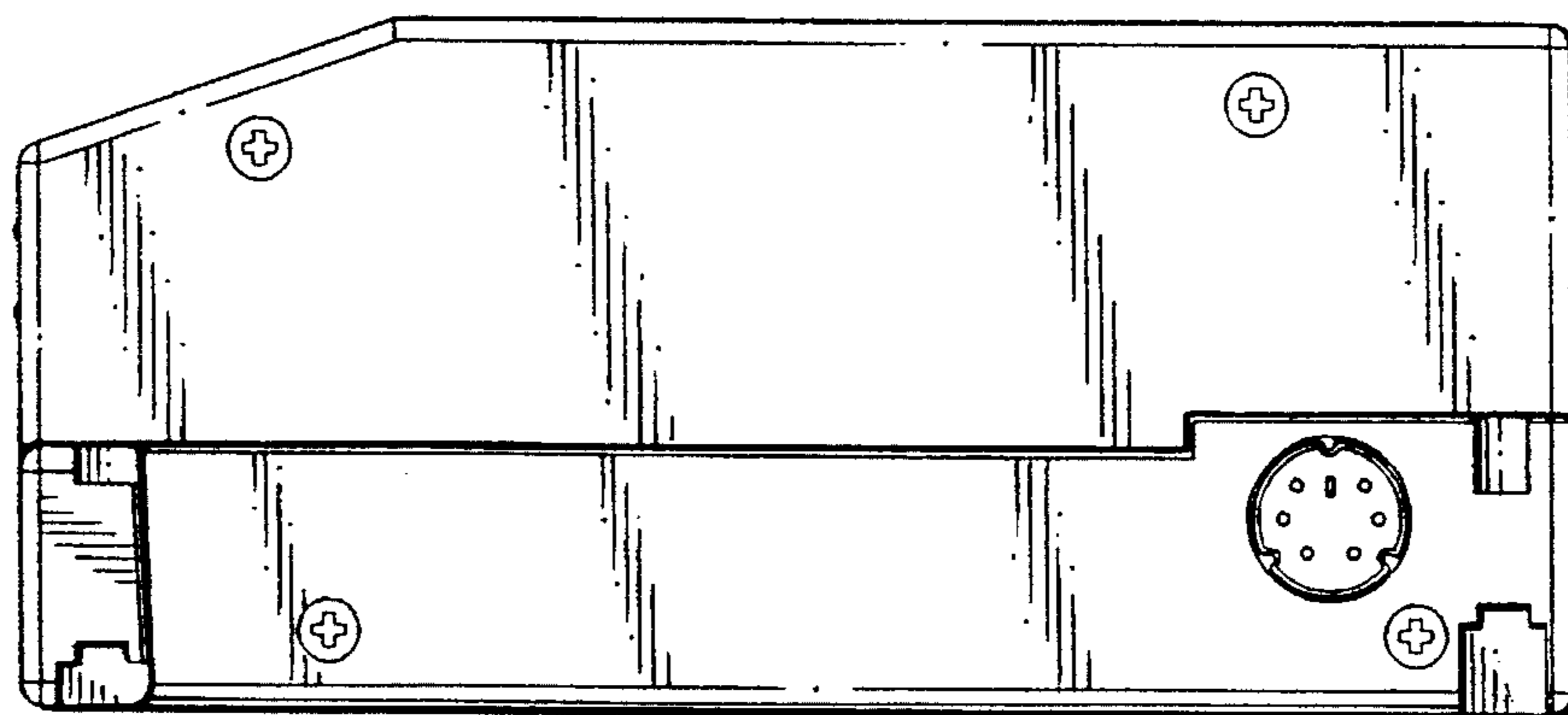


FIG. 2

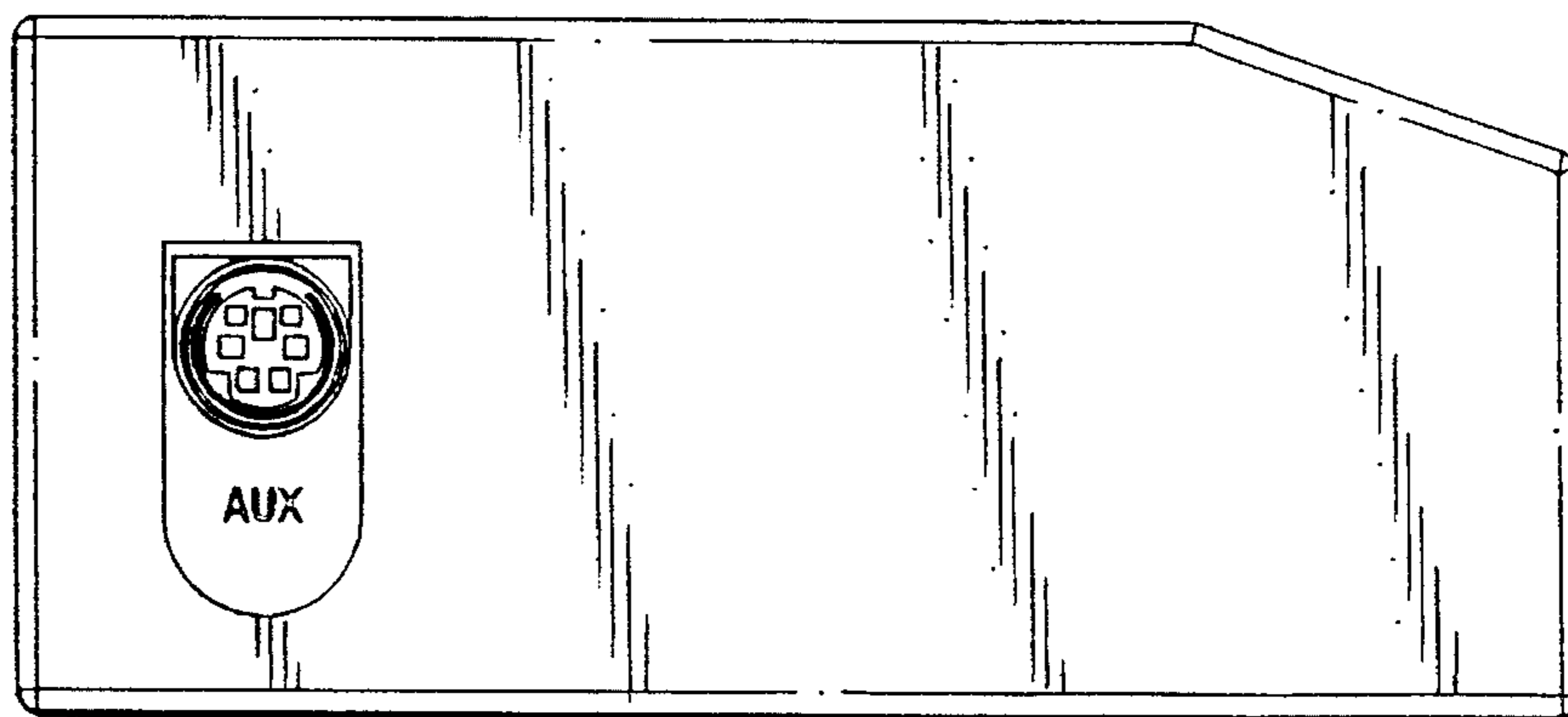


FIG. 3

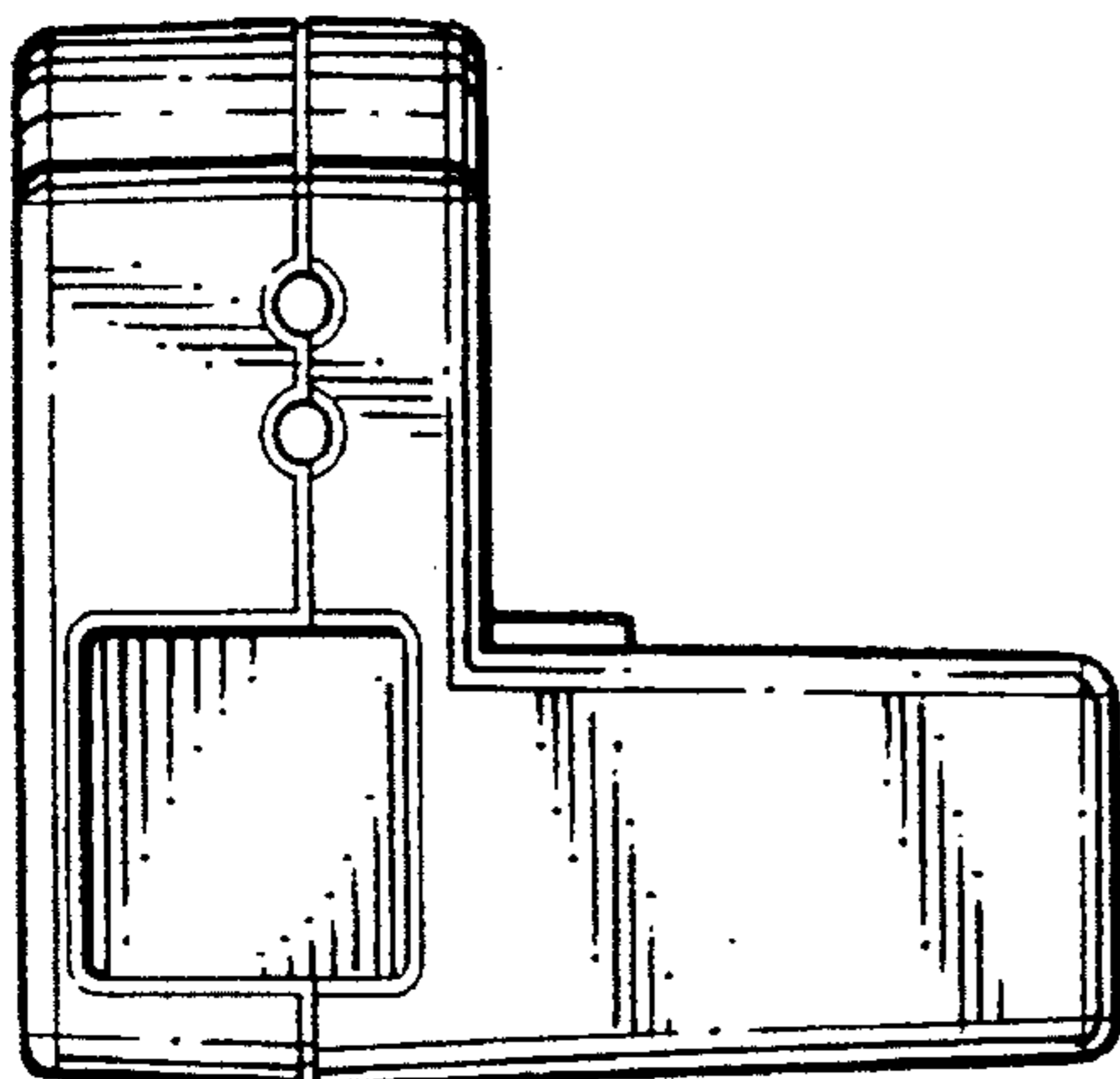


FIG. 4

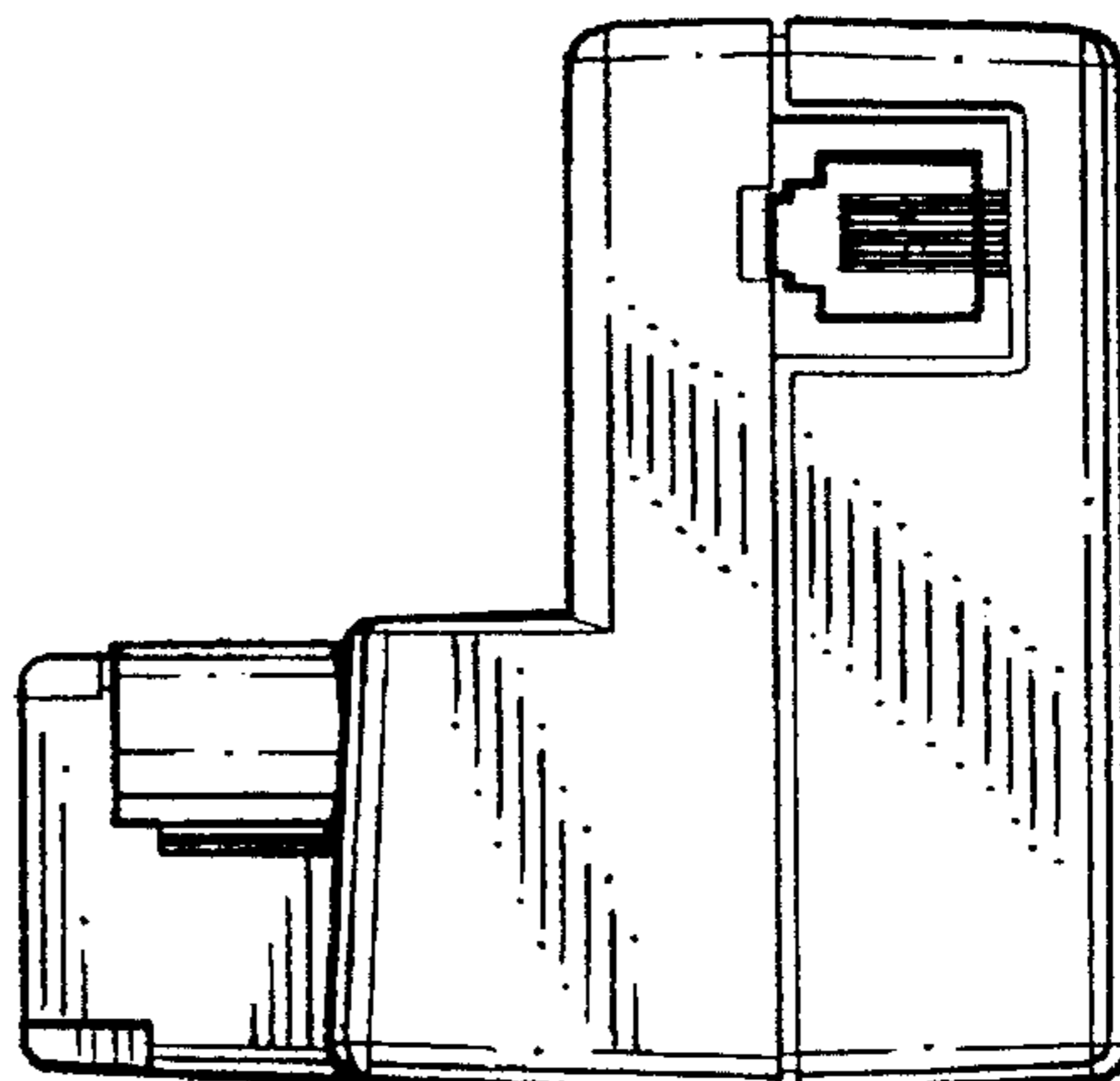


FIG. 5

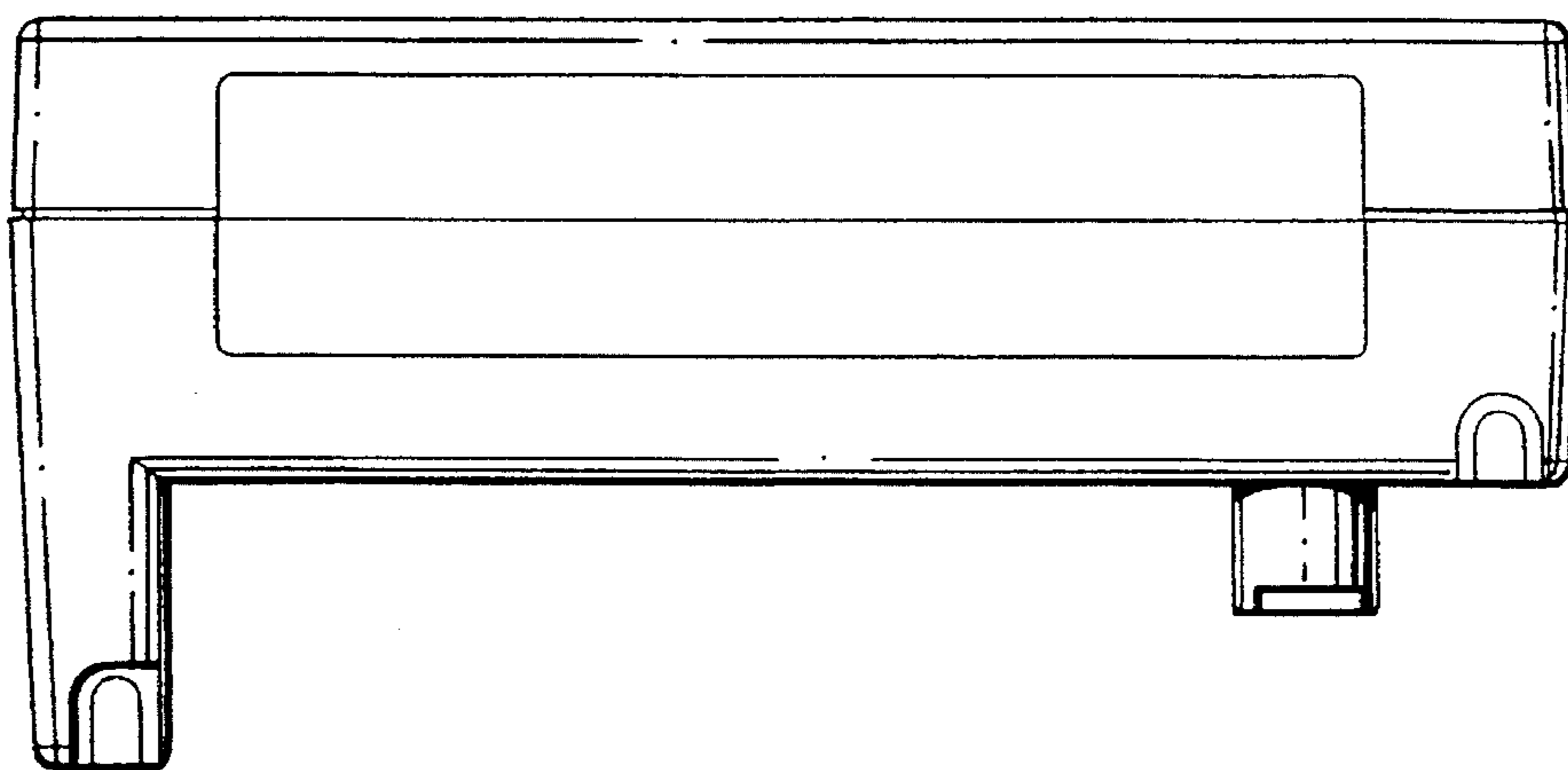


FIG. 6

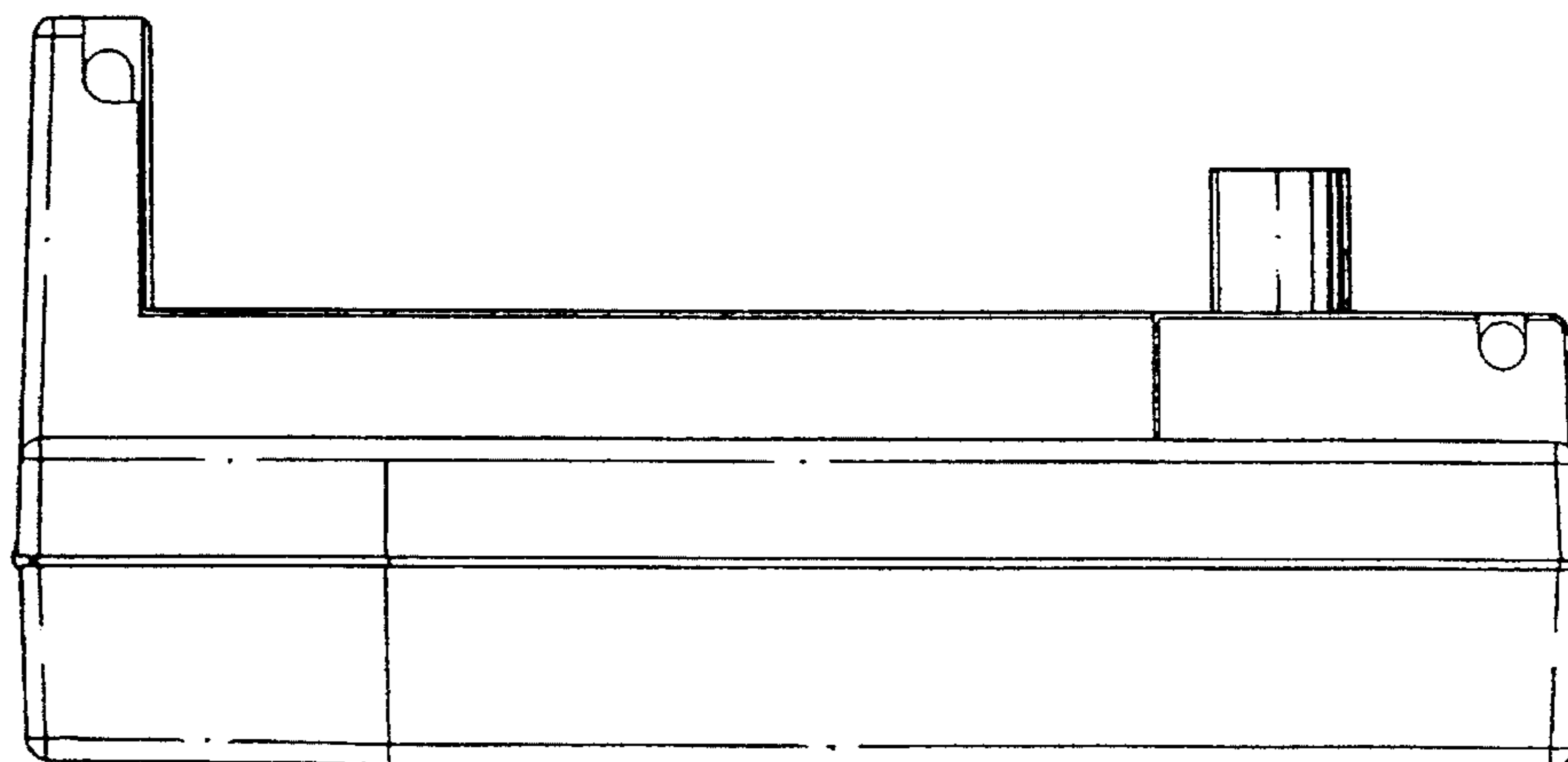


FIG. 7