



US00D368265S

United States Patent [19]

[11] **Patent Number: Des. 368,265**

Fan

[45] **Date of Patent: **Mar. 26, 1996**

[54] **RINGING ADAPTER BOX FOR TELEPHONE**

D. 342,073	12/1993	Nakamura et al.	D14/241	X
D. 346,378	4/1994	Smylie	D13/147	X
D. 348,070	6/1994	Vallillee	D14/256	X
D. 353,372	12/1994	Delhaes	D14/149	

[76] Inventor: **Caesar Y. K. Fan**, No. 36, Gwo Shing St., Taoyuan, Taiwan

[**] Term: **14 Years**

Primary Examiner—Jeffrey Asch

[21] Appl. No.: **33,306**

[57] **CLAIM**

[22] Filed: **Jan. 10, 1995**

The ornamental design for a ringing adapter box for telephone, as shown and described.

[52] U.S. Cl. **D14/241; D14/256**

[58] Field of Search D14/140, 240, D14/155, 256, 107, 114, 241, 149; D13/147, 133; 379/419, 420, 428, 440, 441, 418

DESCRIPTION

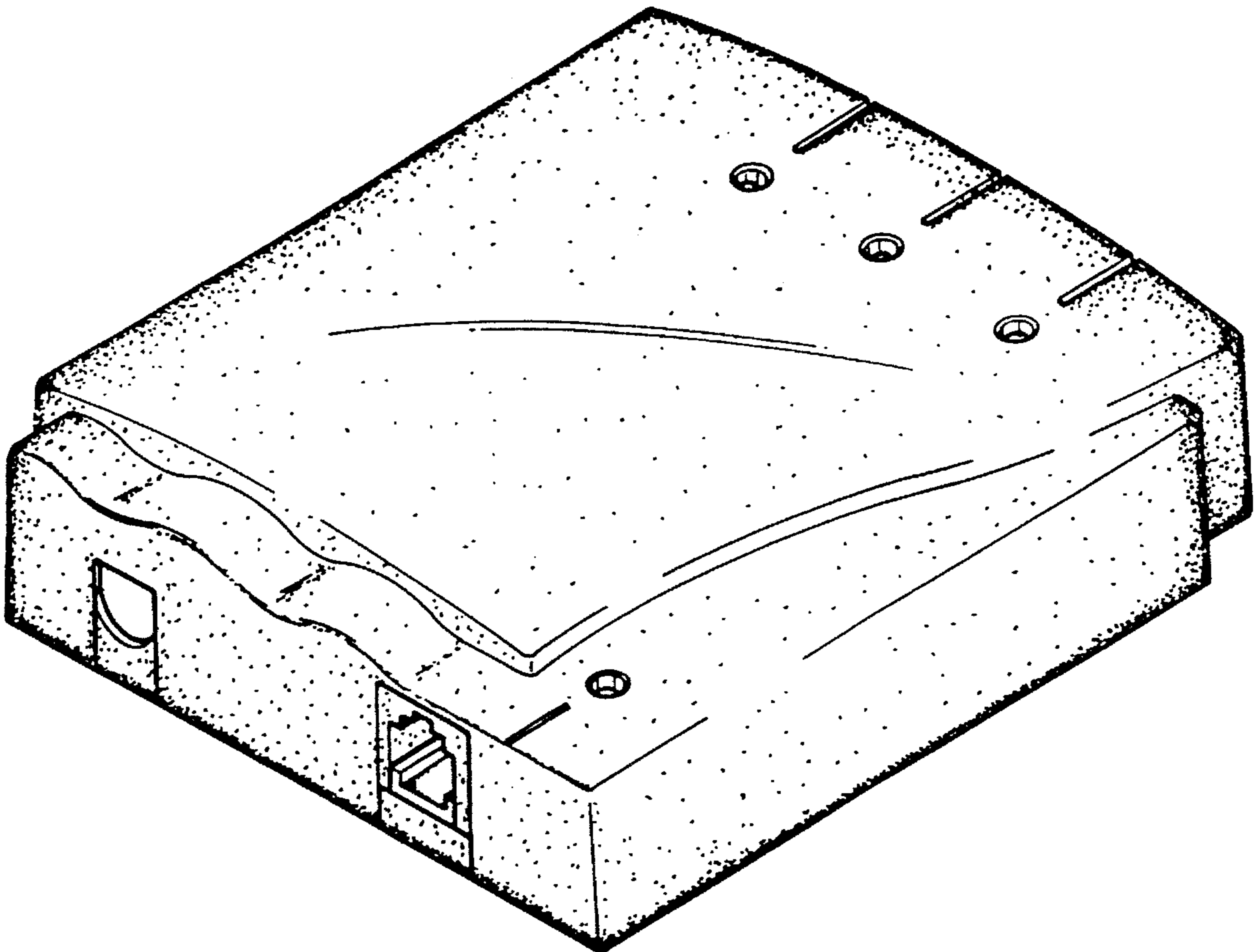
[56] **References Cited**

FIG. 1 is a front view of the present design; FIG. 2 is a back view of the design; FIG. 3 is a left side view of the design; FIG. 4 is a right side view of the design; FIG. 5 is a top view of the design; FIG. 6 is a bottom view of the design; and, FIG. 7 is a perspective view of the design.

U.S. PATENT DOCUMENTS

D. 255,882	7/1980	Kim	D14/155	X
D. 275,101	8/1984	Read	D14/240	
D. 314,746	2/1991	Benjamin et al.	D14/256	X
D. 326,447	5/1992	Hoffland et al.	D14/107	
D. 331,394	12/1992	Kobayashi et al.	D14/107	

1 Claim, 4 Drawing Sheets



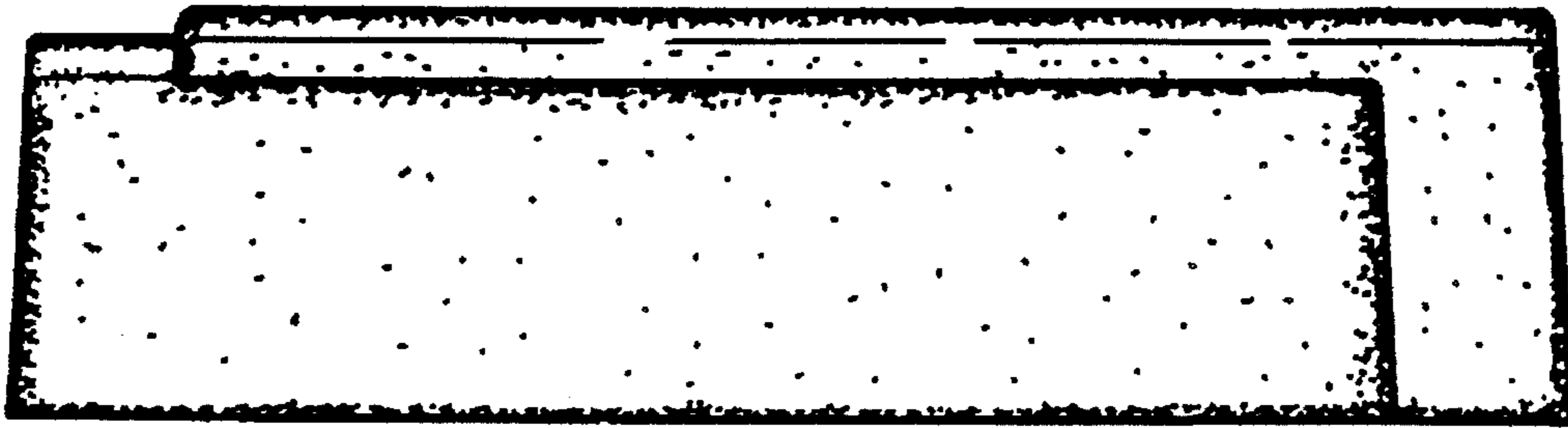


FIG. 1

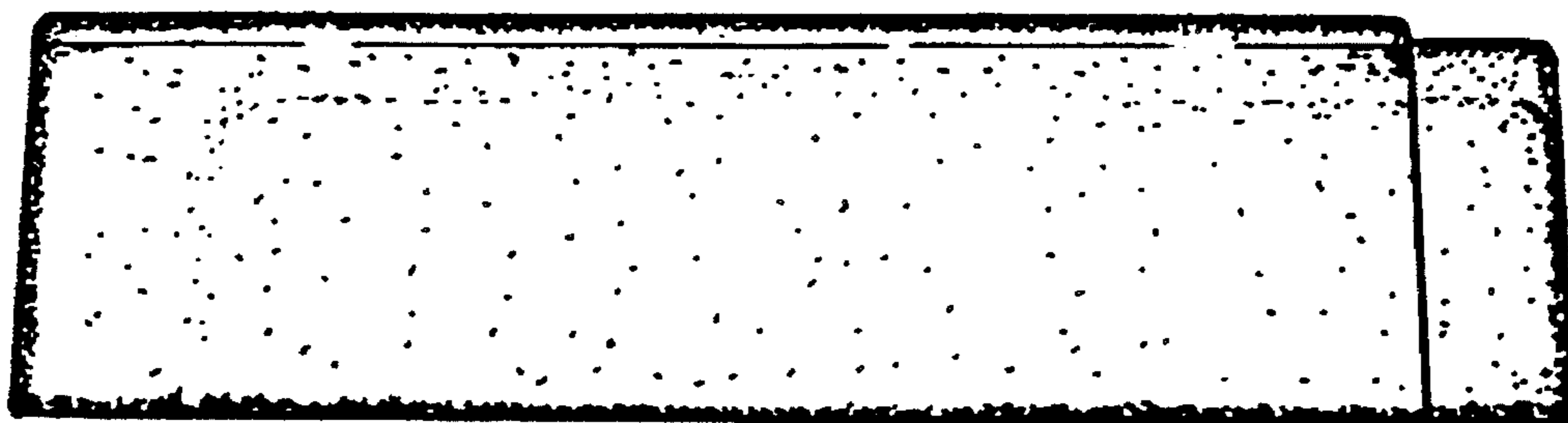


FIG. 2

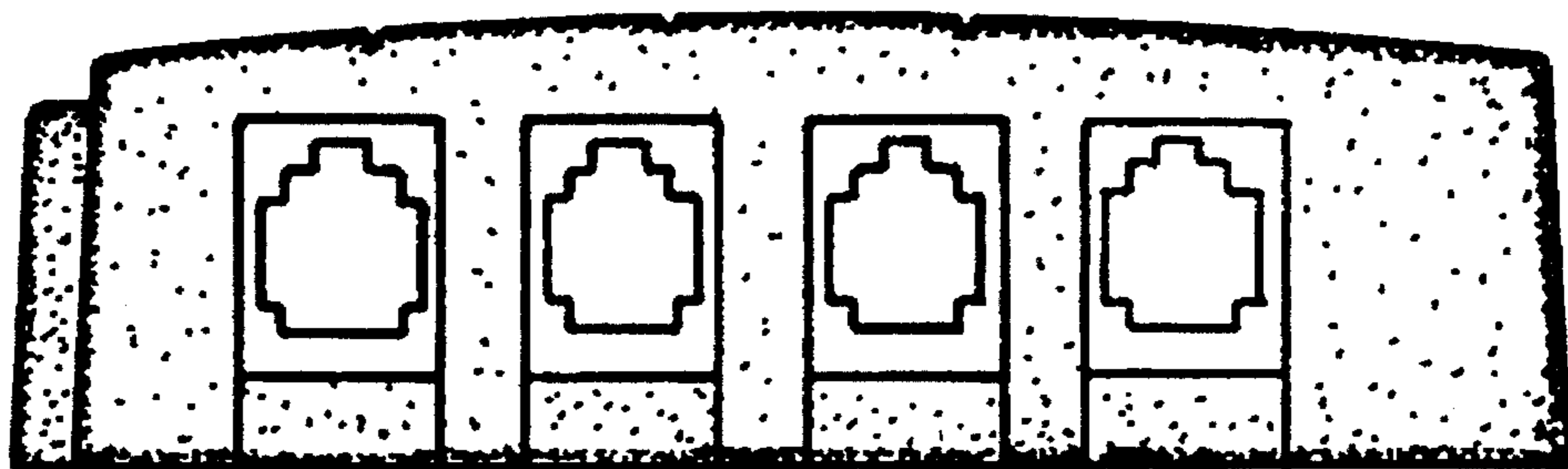


FIG. 3

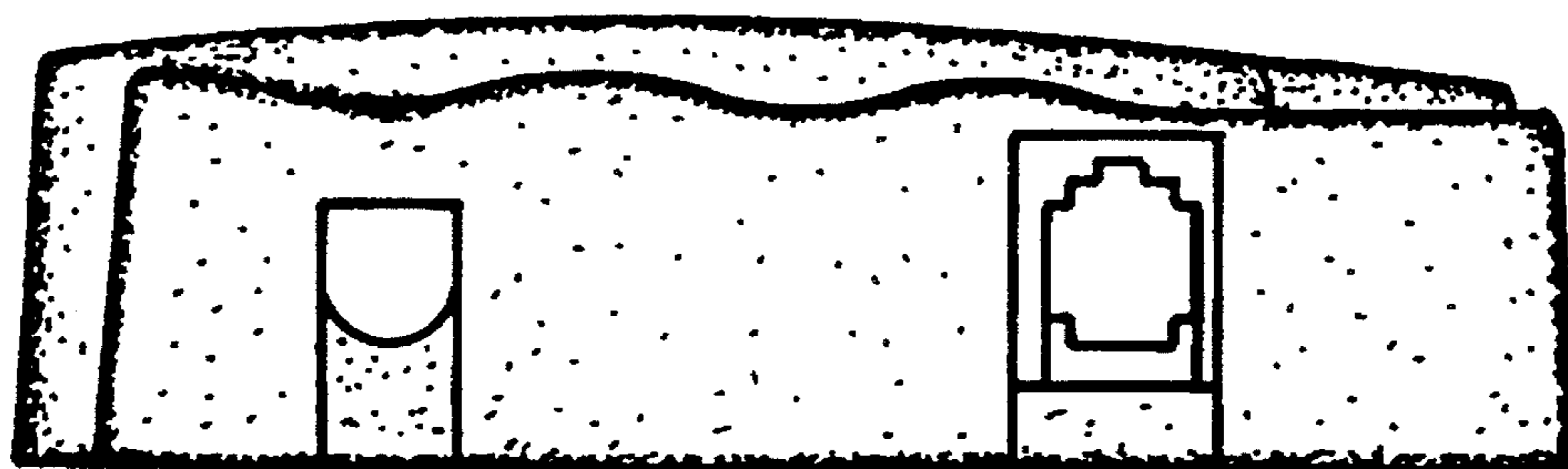


FIG. 4

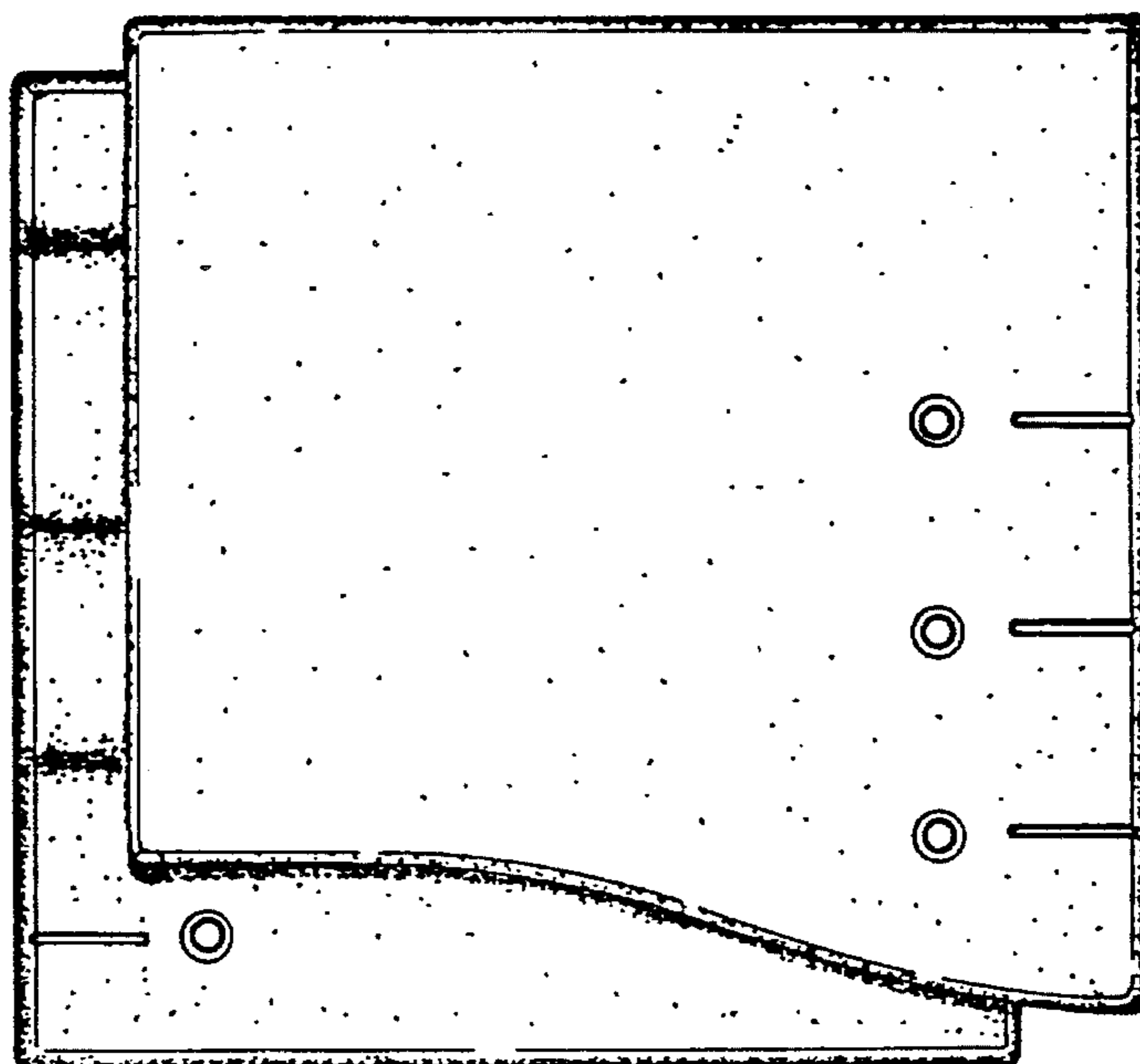


FIG. 5

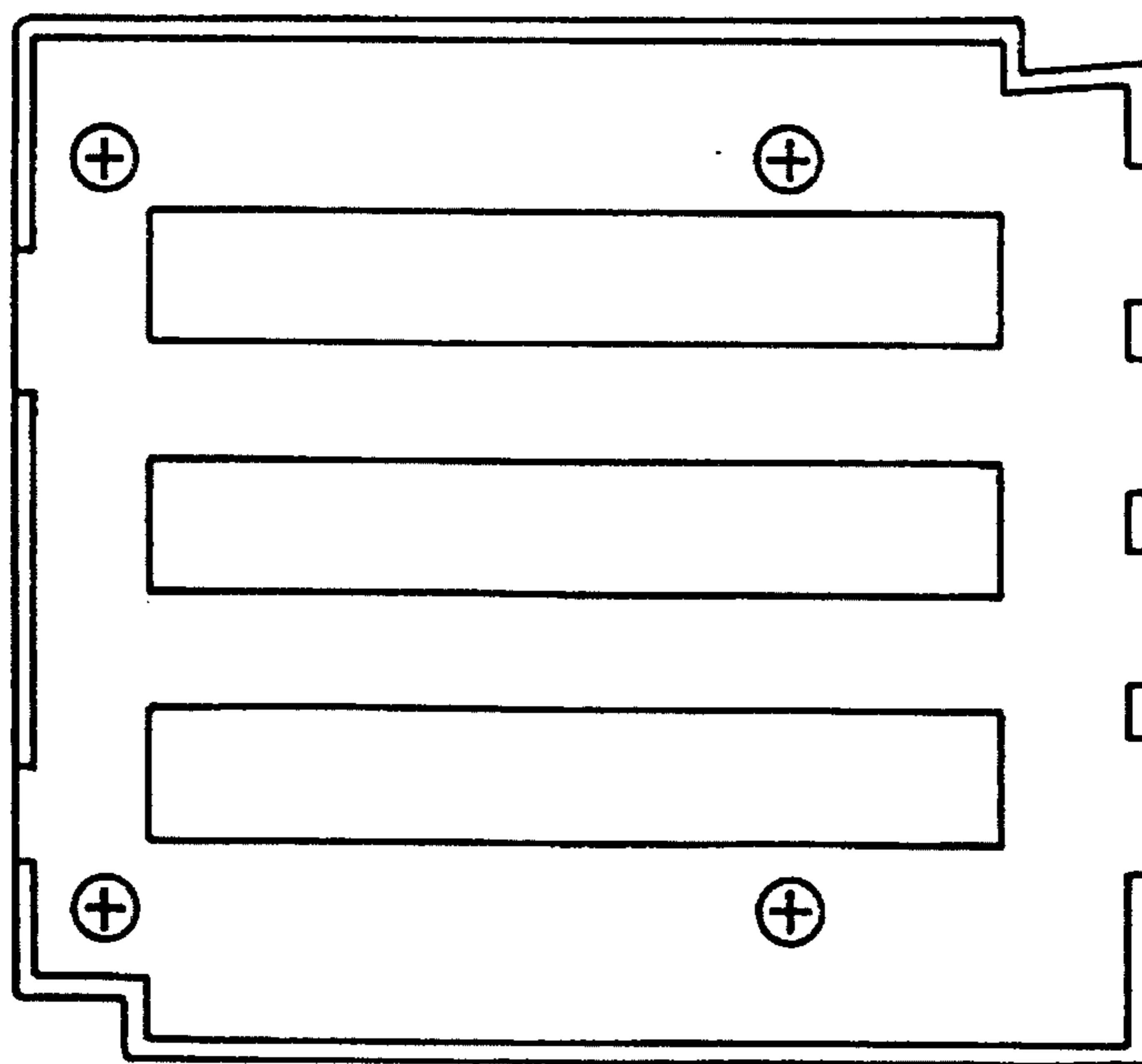


FIG. 6

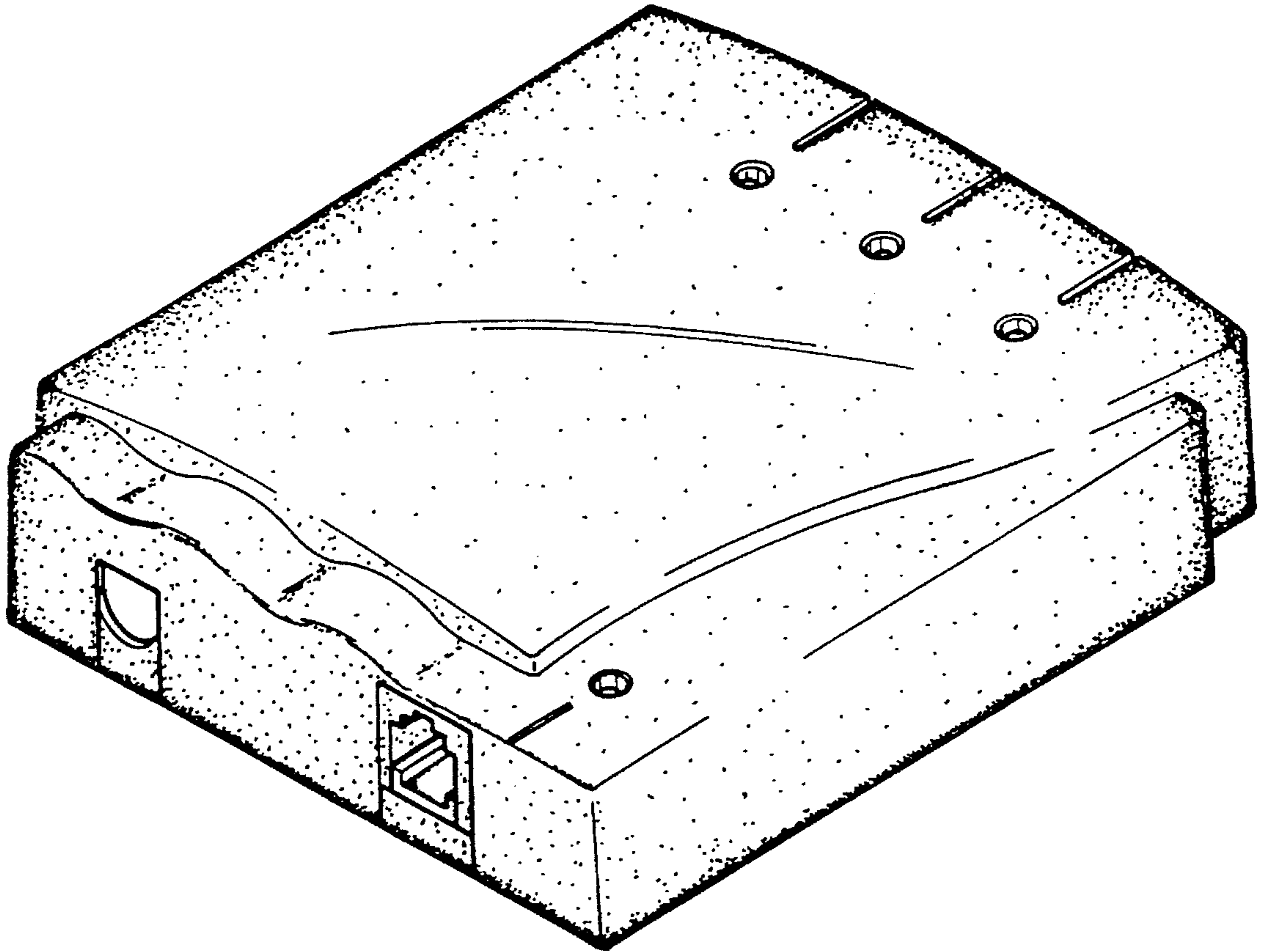


FIG. 7