



US00D368260S

United States Patent [19]

[11] Patent Number: **Des. 368,260**

Oschmann et al.

[45] Date of Patent: ****Mar. 26, 1996**

[54] **WIRELESS DIFFUSE INFRARED LAN TRANSCEIVER**

[75] Inventors: **Ellen L. Oschmann**, Winnetka; **Jeffrey P. Welch**, Libertyville, both of Ill.

[73] Assignee: **Spectrix Corporation**, Evanston, Ill.

[**] Term: **14 Years**

[21] Appl. No.: **29,654**

[22] Filed: **Oct. 12, 1994**

[52] U.S. Cl. **D14/137**

[58] Field of Search D14/137, 114,
D14/124, 155, 159, 299; 455/73, 89, 90,
92, 100, 128

[56] **References Cited**

U.S. PATENT DOCUMENTS

D. 297,210	8/1988	Liversidge	D8/14
D. 337,767	7/1993	Sogabe et al.	D14/155
D. 341,587	11/1993	Larson	D14/137
D. 350,956	9/1994	Sumikawa	D14/155

Primary Examiner—Prabhakar G. Deshmukh
Assistant Examiner—Richelle Shelton
Attorney, Agent, or Firm—Welsh & Katz, Ltd.

[57] **CLAIM**

The ornamental design for a wireless diffuse infrared LAN transceiver, as shown and described.

DESCRIPTION

FIG. 1 is a perspective view of the wireless diffuse infrared LAN transceiver, the broken line showing of a personal digital computer is for illustrative purposes only and forms no part of the claimed design;

FIG. 2 is a front elevational view of the wireless diffuse infrared LAN transceiver of FIG. 1;

FIG. 3 is the rear elevational view of the wireless diffuse infrared LAN transceiver of FIG. 1;

FIG. 4 is the left elevational view of the wireless diffuse infrared LAN transceiver of FIG. 1;

FIG. 5 is the top plan view of the wireless diffuse infrared LAN transceiver of FIG. 1;

FIG. 6 is the right elevational view of the wireless diffuse infrared LAN transceiver of FIG. 1; and,

FIG. 7 is the bottom plan view of the wireless diffuse infrared LAN transceiver of FIG. 1.

1 Claim, 2 Drawing Sheets

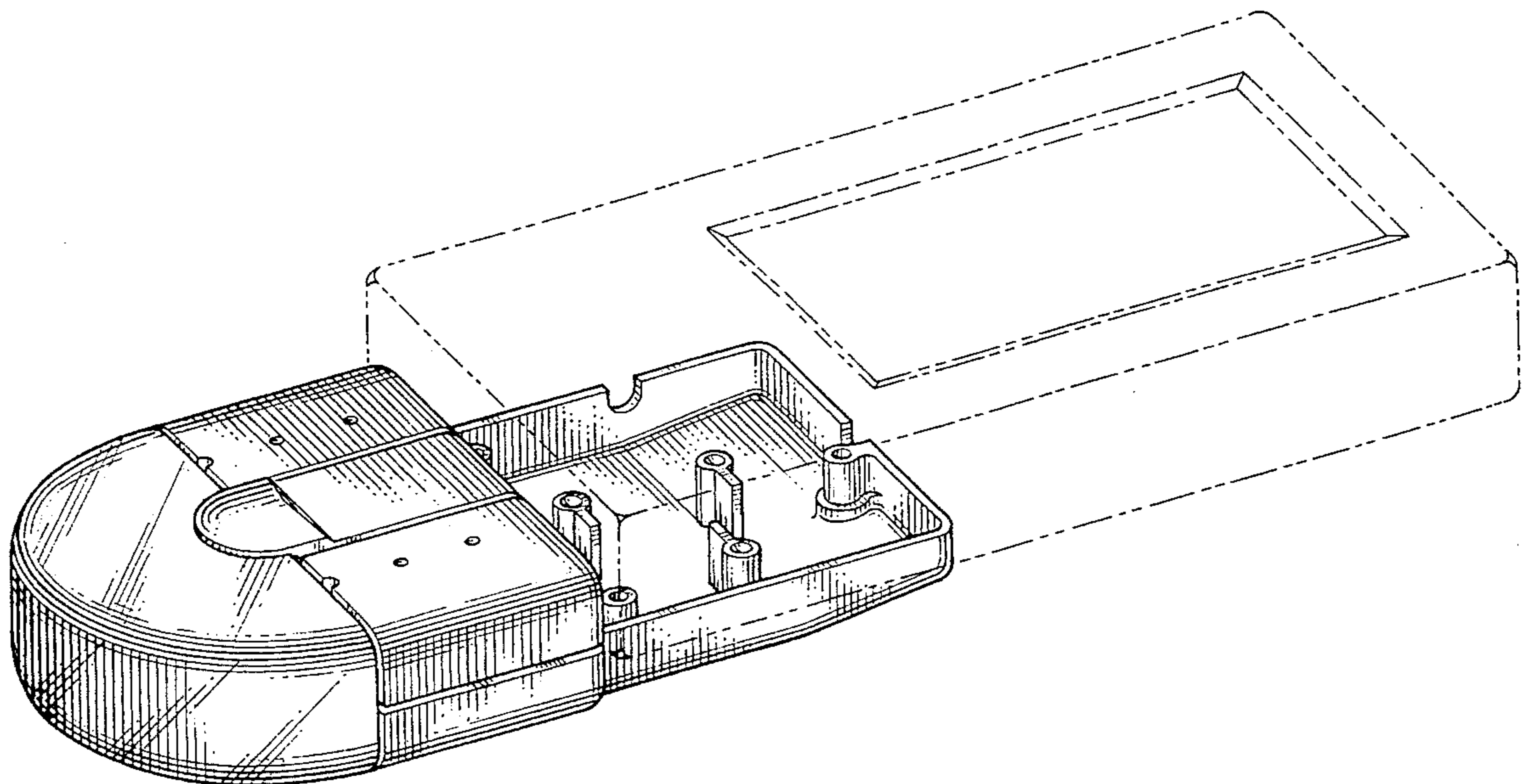


Fig. 2

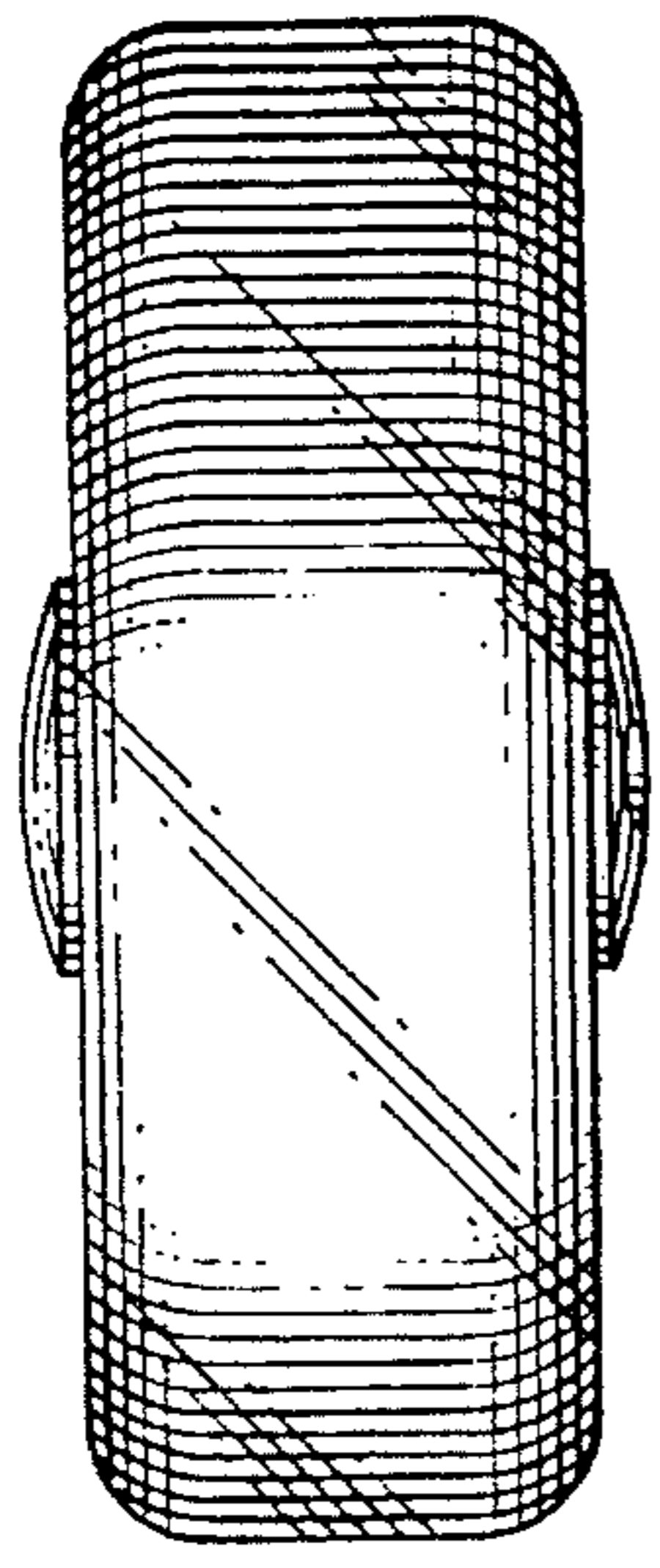


Fig. 3

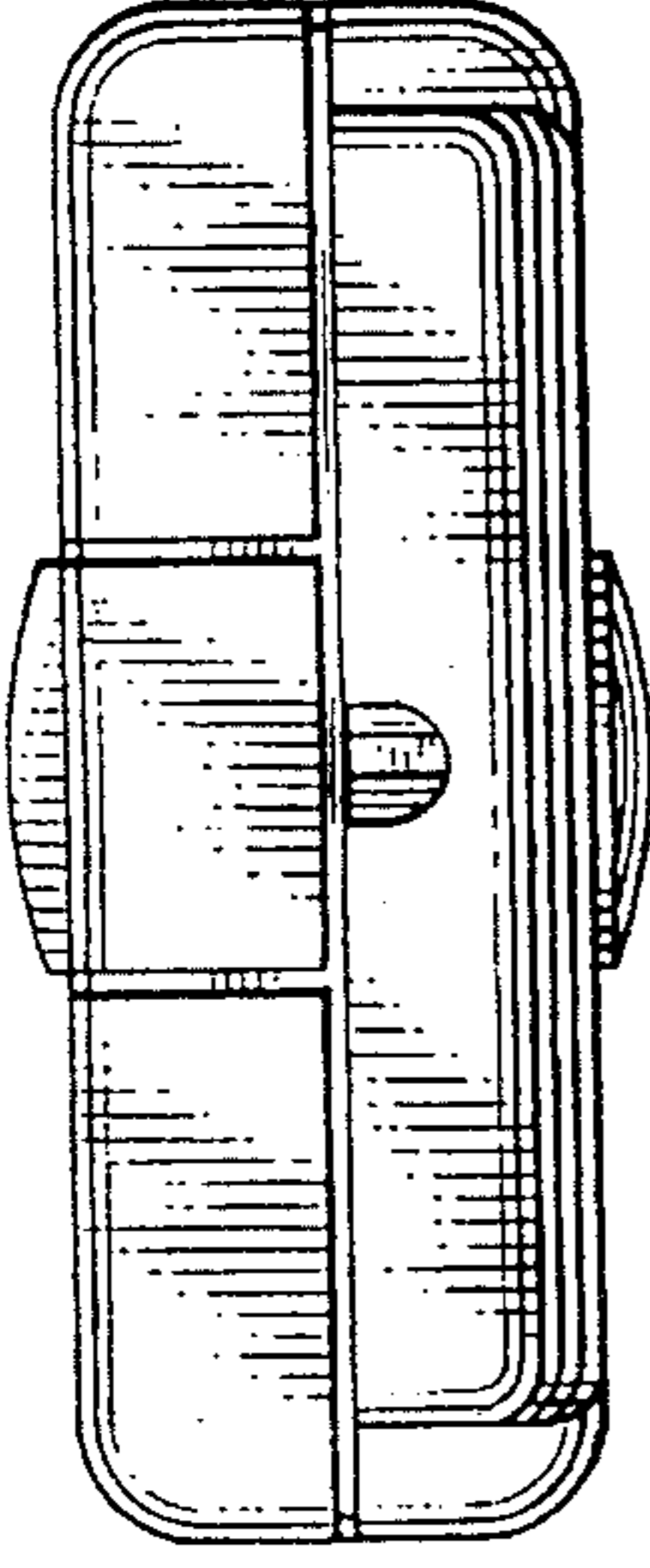


Fig. 1

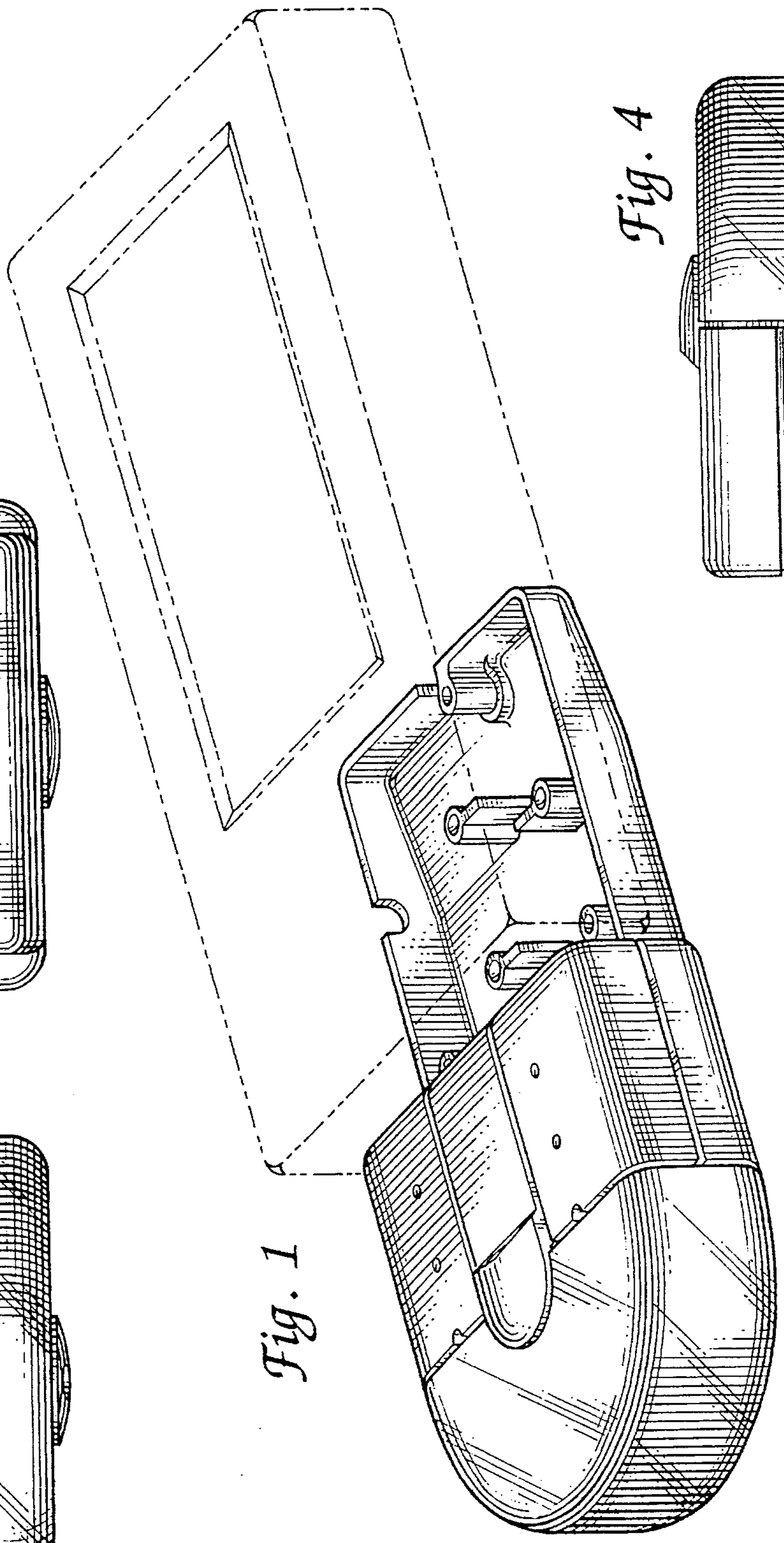


Fig. 4

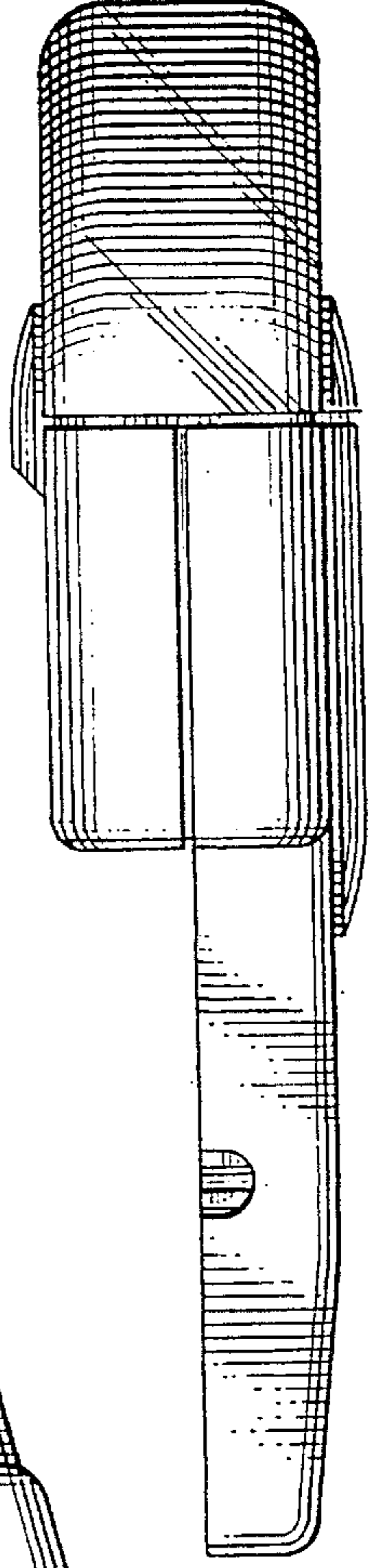


Fig. 5

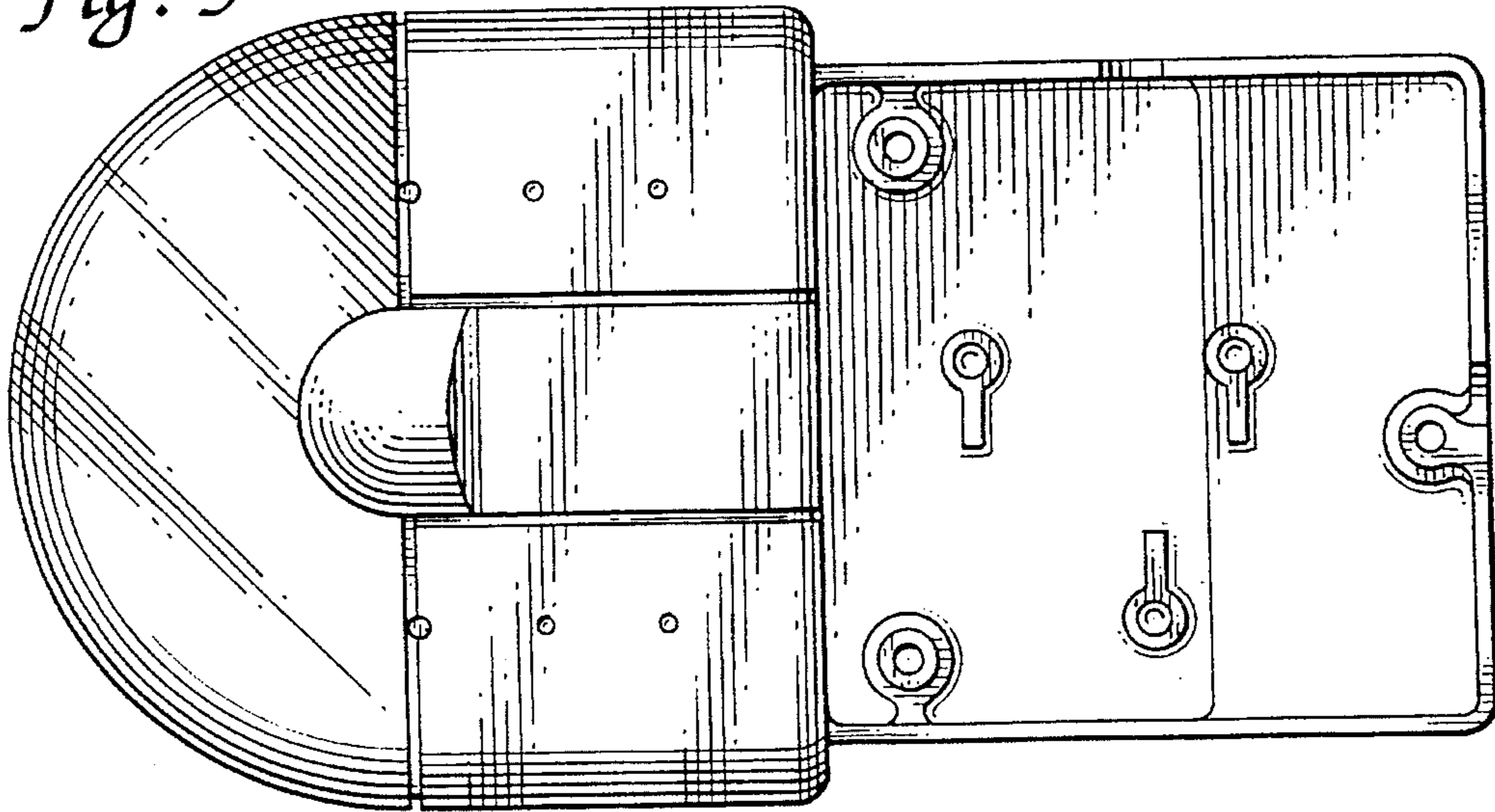


Fig. 6

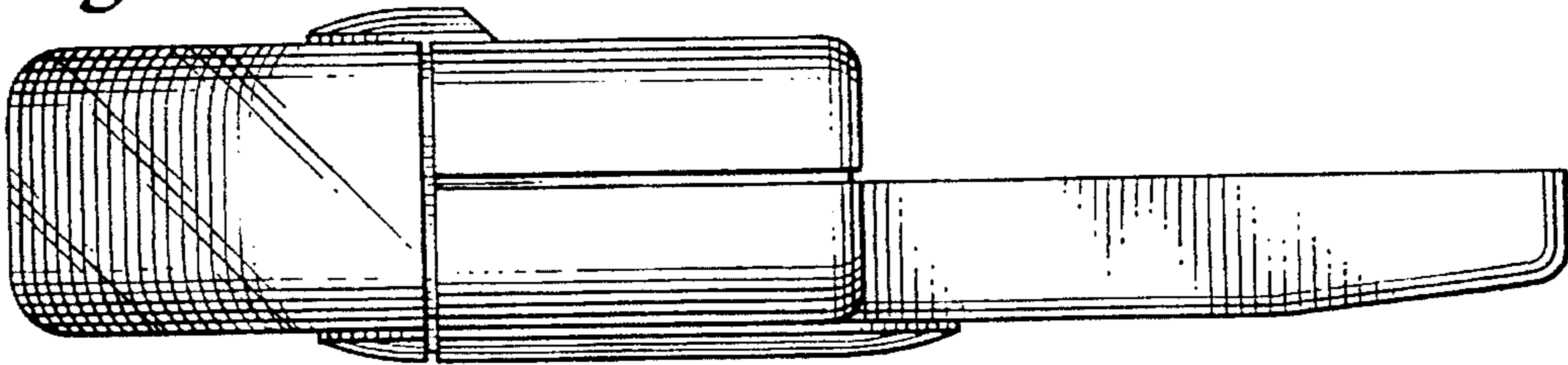


Fig. 7

