



US00D368258S

United States Patent [19]

[11] **Patent Number: Des. 368,258**

Ojeda

[45] **Date of Patent: **Mar. 26, 1996**

[54] **COMBINED PORTABLE BATTERY CHARGER CRADLE AND FLOPPY DISK DRIVE CASE**

[57] **CLAIM**

[75] Inventor: **Peter A. Ojeda**, St. Joseph, Mich.

The ornamental design for a combined portable battery charger cradle and floppy disk drive case, as shown and described.

[73] Assignee: **Zenith Data Systems Corporation**, Buffalo Grove, Ill.

DESCRIPTION

[**] Term: **14 Years**

[21] Appl. No.: **27,520**

[22] Filed: **Aug. 23, 1994**

[52] U.S. Cl. **D14/114**

[58] **Field of Search** D14/114, 107, D14/109; 361/685-686, 725, 679-684; D13/107-108, 184, 199; 248/917-924; 360/99.12; 320/2-4

FIG. 1 is a top perspective view of a combined portable battery charger cradle and floppy disk drive case on a reduced scale. The broken line drawing of a computer accessory is for illustrative purposes only and forms no part of the claimed design;

FIG. 2 is a side elevational view of one side of the combined portable battery charger cradle and floppy disk drive case illustrated in FIG. 1;

FIG. 3 is a side elevational view of the other side of the combined portable battery charger cradle and floppy disk drive case illustrated in FIG. 1;

FIG. 4 is a rear elevational view of the combined portable battery charger cradle and floppy disk drive case illustrated in FIG. 1;

FIG. 5 is a front elevational view of the combined portable battery charger cradle and floppy disk drive case illustrated in FIG. 1;

FIG. 6 is a top plan view of the combined portable battery charger cradle and floppy disk drive case illustrated in FIG. 1; and,

FIG. 7 is a bottom plan view of the combined portable battery charger cradle and floppy disk drive case illustrated in FIG. 1.

[56] **References Cited**

U.S. PATENT DOCUMENTS

D. 316,853	5/1991	Dickey	D14/107
D. 321,855	11/1991	Ross, Jr.	D13/107
D. 338,458	8/1993	Guo	D14/109
D. 342,487	12/1993	Iino	D14/107
D. 349,891	8/1994	Matsumoto et al.	D14/109
5,153,817	10/1992	Hosoi et al.	361/685 X
5,159,533	10/1992	Kuang	361/686 X
5,182,699	1/1993	Kobayashi et al.	361/683

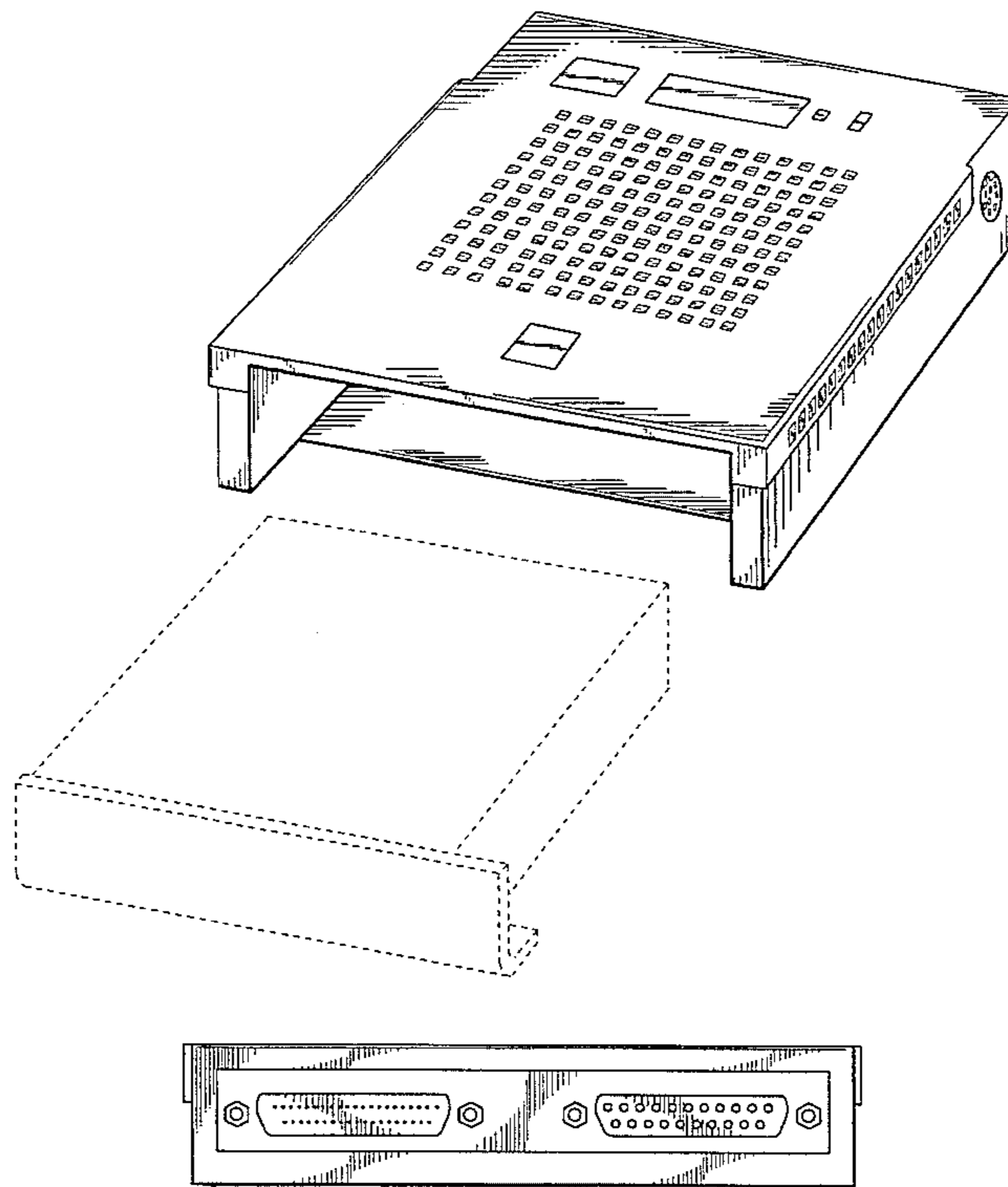
OTHER PUBLICATIONS

PC Laptop Computers Magazine, Oct. 1993, p. 71.

Primary Examiner—M. H. Tung

Attorney, Agent, or Firm—Fitch, Even, Tabin & Flannery

1 Claim, 4 Drawing Sheets



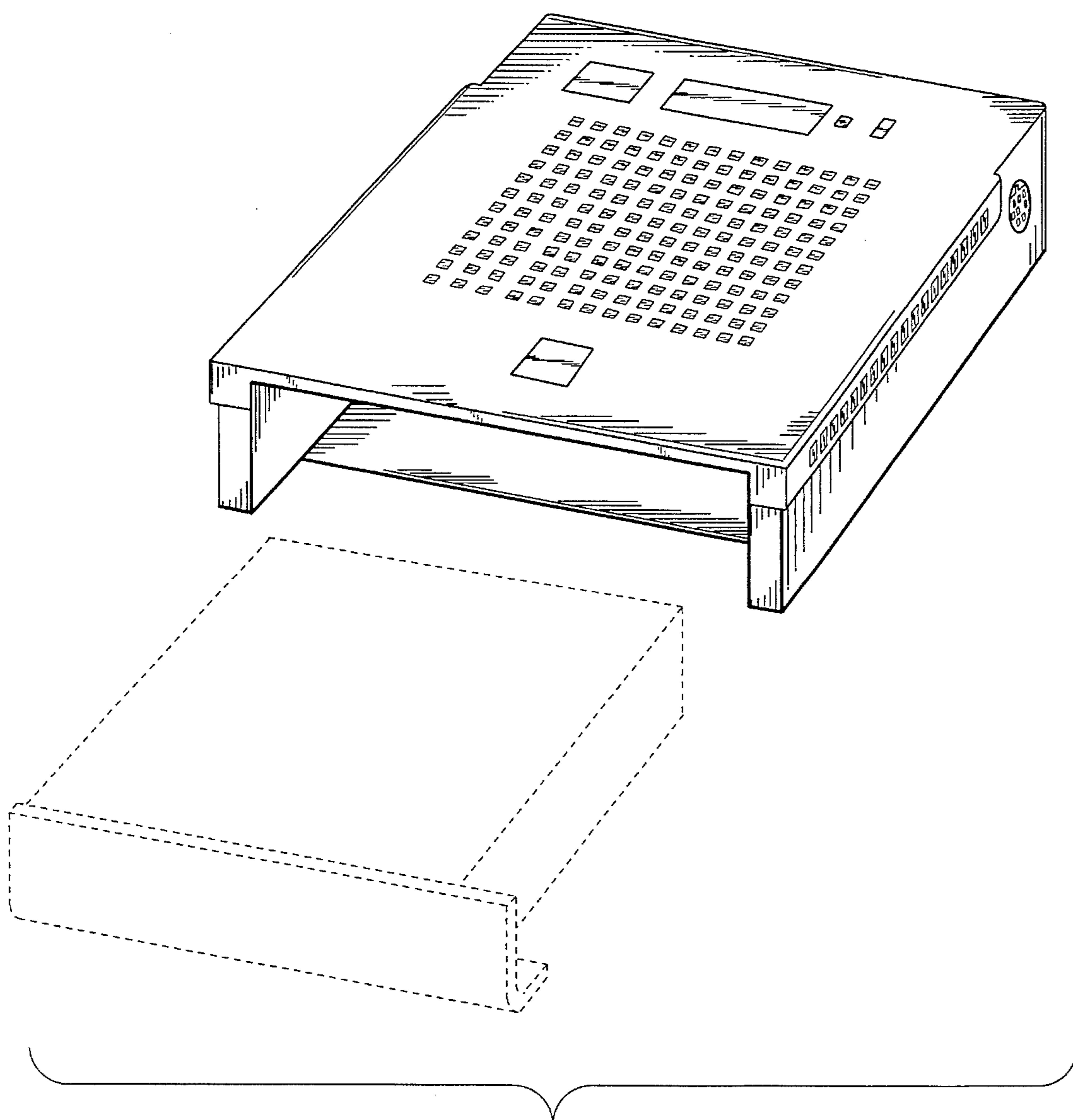


Fig. 1

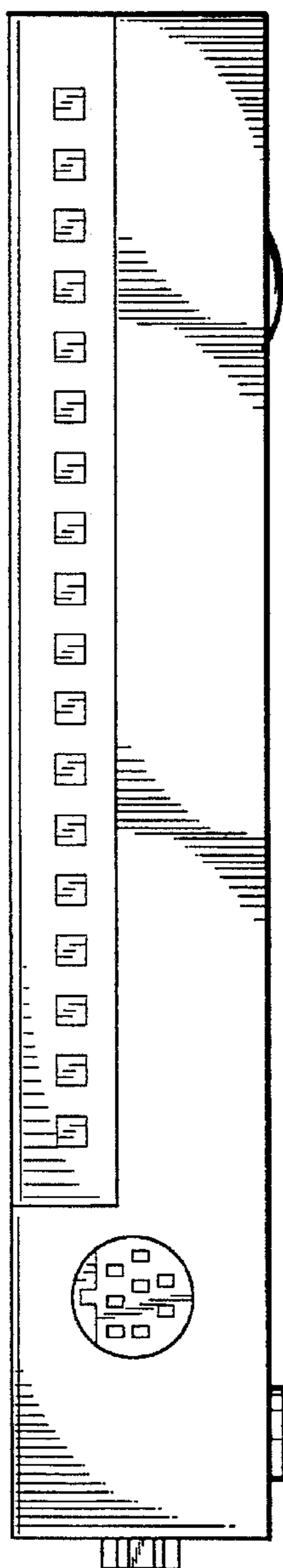


Fig. 2

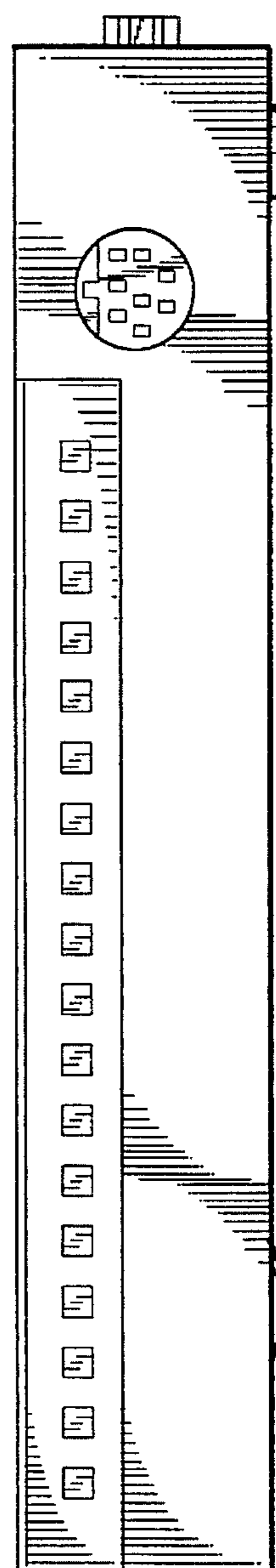


Fig. 3

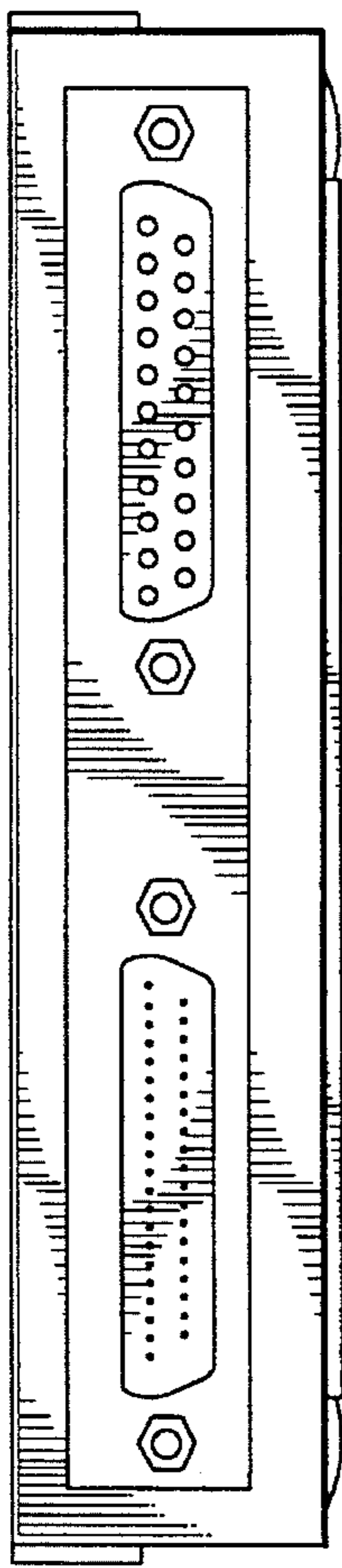


Fig. 4

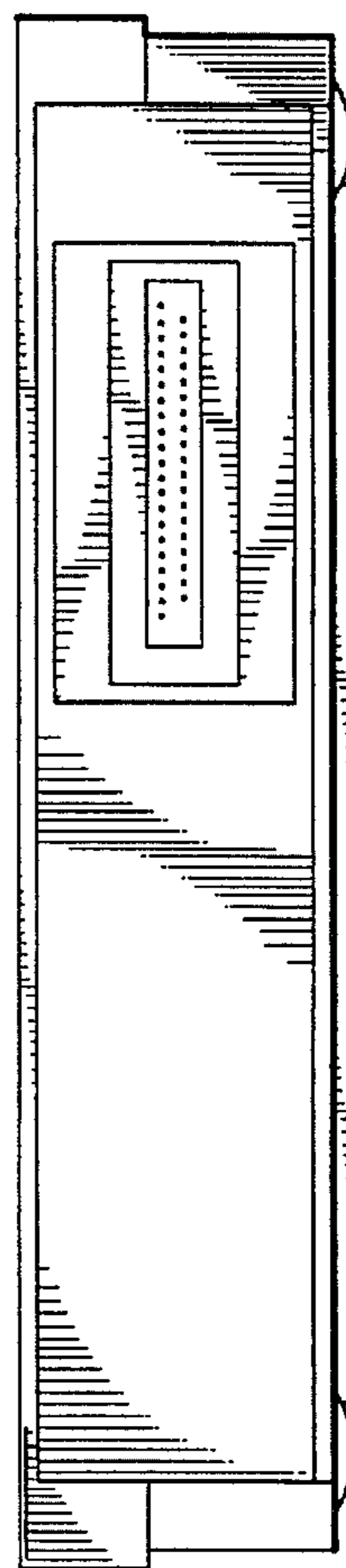


Fig. 5

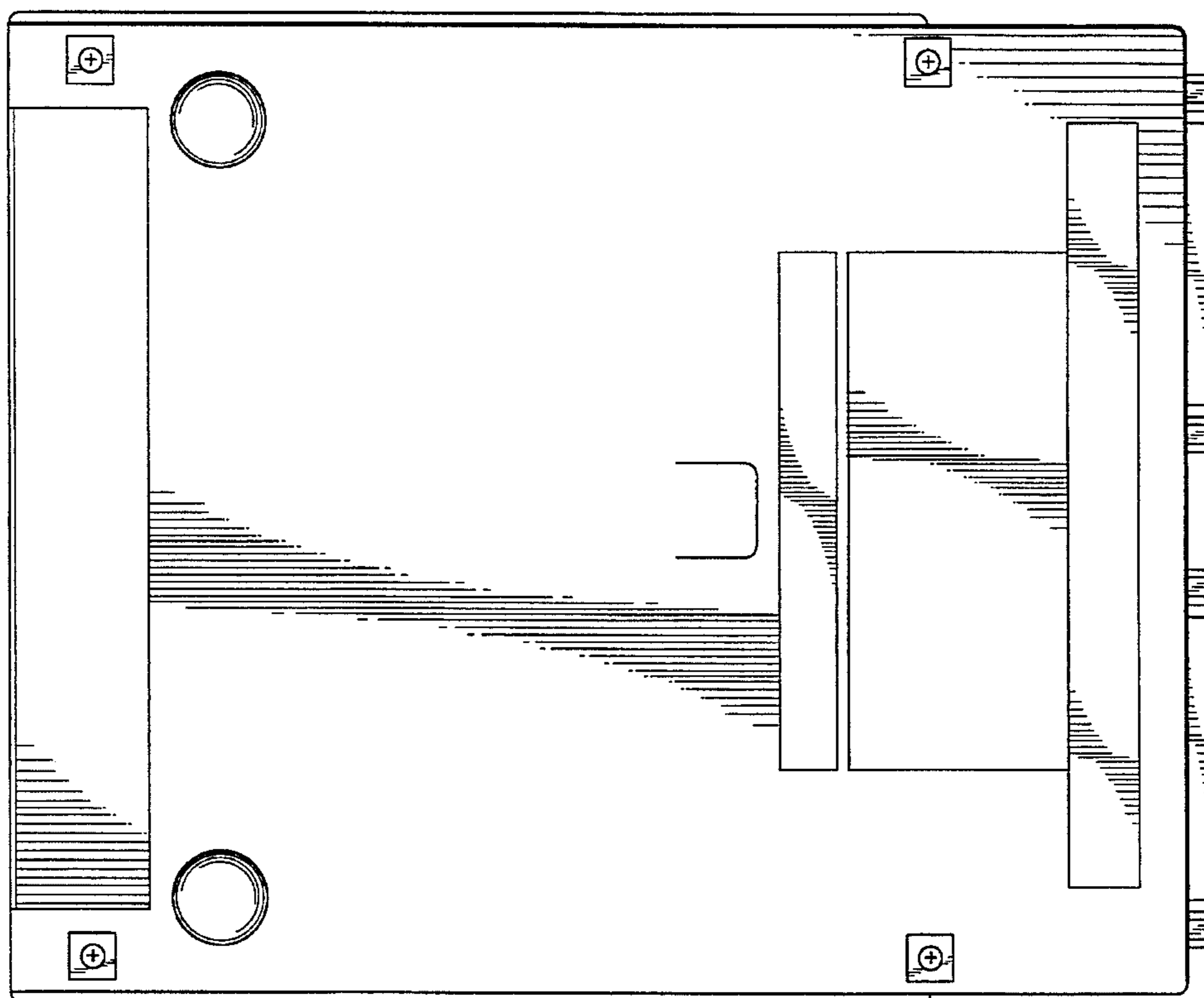


Fig. 7

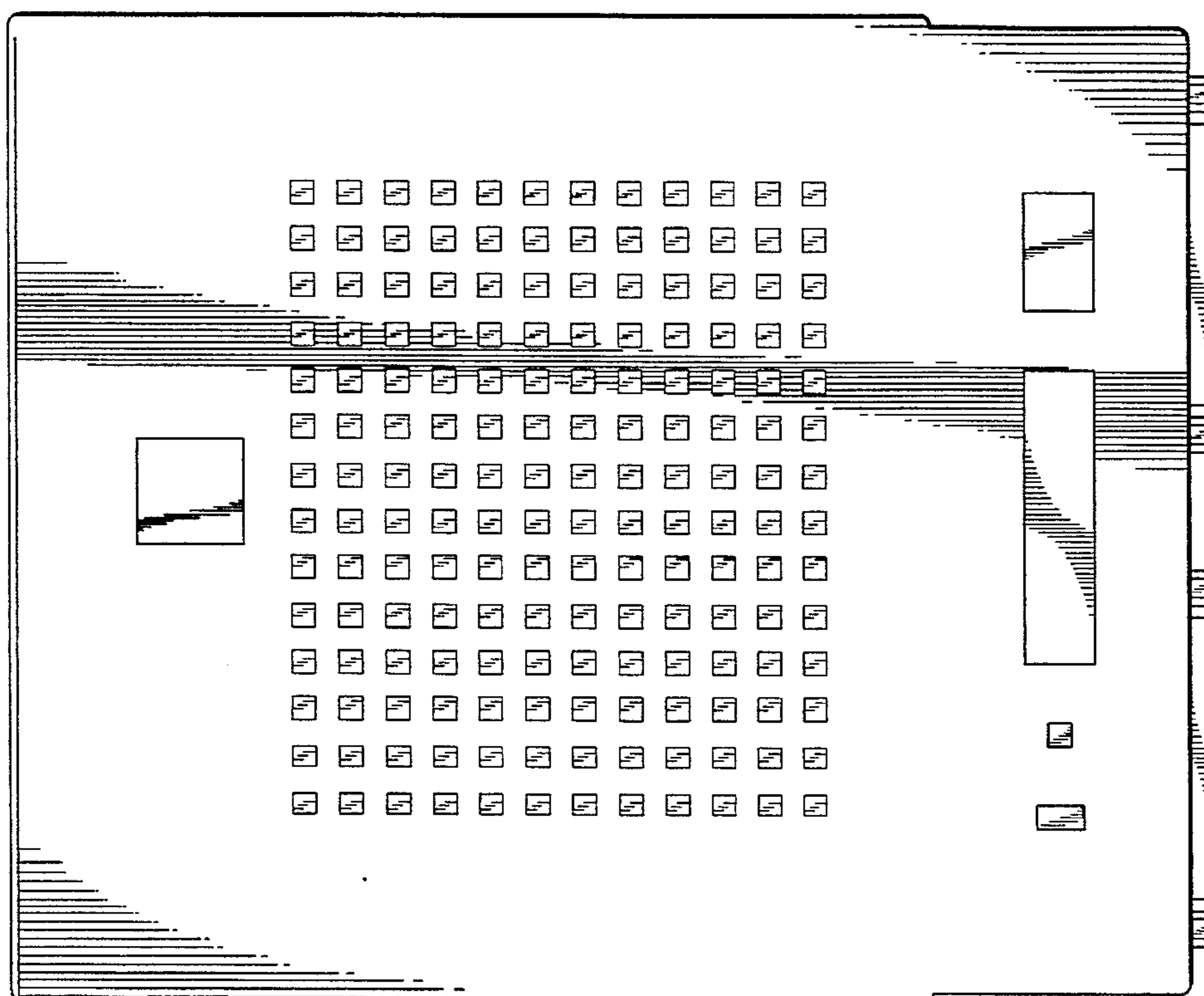


Fig. 6