



US00D368255S

# United States Patent [19]

[11] Patent Number: **Des. 368,255**

Sasaki et al.

[45] Date of Patent: **\*\*Mar. 26, 1996**

[54] BUSINESS CARD SCANNER

Primary Examiner—M. H. Tung  
Attorney, Agent, or Firm—Oliff & Berridge

[75] Inventors: **Kazunari Sasaki**, Nagano; **Hironori Shirakura**, Fukuoka, both of Japan

[57] CLAIM

[73] Assignees: **Seiko Epson Corp.**, Nagano; **Mitsumi Electric Co., Ltd.**, Fukuoka, both of Japan

The ornamental design for a business card scanner, as shown and described.

[\*\*] Term: **14 Years**

DESCRIPTION

[21] Appl. No.: **13,451**

FIG. 1 is a front view of the inventive design for a business card scanner;

[22] Filed: **Sep. 24, 1993**

FIG. 2 is a top view of the inventive design of FIG. 1;

[30] Foreign Application Priority Data

FIG. 3 is a bottom view of the inventive design of FIG. 1;

Mar. 26, 1993 [JP] Japan ..... 5-8712

FIG. 4 is a left side view of the inventive design of FIG. 1;

[52] U.S. Cl. .... **D14/107**

FIG. 5 is a right side view of the inventive design of FIG. 1;

[58] Field of Search ..... D14/114, 116,  
D14/105, 107; 235/329, 493, 462, 472,  
380, 382, 382.5; 354/80-82; 382/58-69;  
250/203.1, 216, 566, 568

FIG. 6 is a rear view of the inventive design of FIG. 1;

[56] References Cited

FIG. 7 is a cross-sectional view of the inventive design of FIG. 1 taken along the lines 77 of FIG. 1;

U.S. PATENT DOCUMENTS

- D. 342,492 12/1993 Wang ..... D14/116
- D. 348,059 6/1994 Chen ..... D14/116
- D. 350,950 9/1994 Liu ..... D14/116
- D. 352,705 11/1994 Shalvi ..... D14/116
- 5,113,060 5/1992 Wike, Jr. et al. .... 235/462 X

FIG. 8 is a perspective view of the inventive design of FIG. 1 with a cover of the business card scanner closed, on an enlarged scale;

OTHER PUBLICATIONS

- “Hyperelectronic Management Notebook PV-F1” published by Sharp Corp., Apr. 1993.
- “Card Reader PV-BR1” published by Sharp Corp., Apr. 1993.
- “SCANEO” (Card reader NR-1000), Jul. 1991.
- Satz, “Electronic Card File Image Brain NS-IB1”, Feb. 1991.

FIG. 9 is a perspective view of the inventive design of FIG. 1 with a cover of the business card scanner open, on an enlarged scale;

FIG. 10 is a front view of the inventive design of FIG. 1 with the cover open;

FIG. 11 is a top view of the inventive design of FIG. 1 with the cover open;

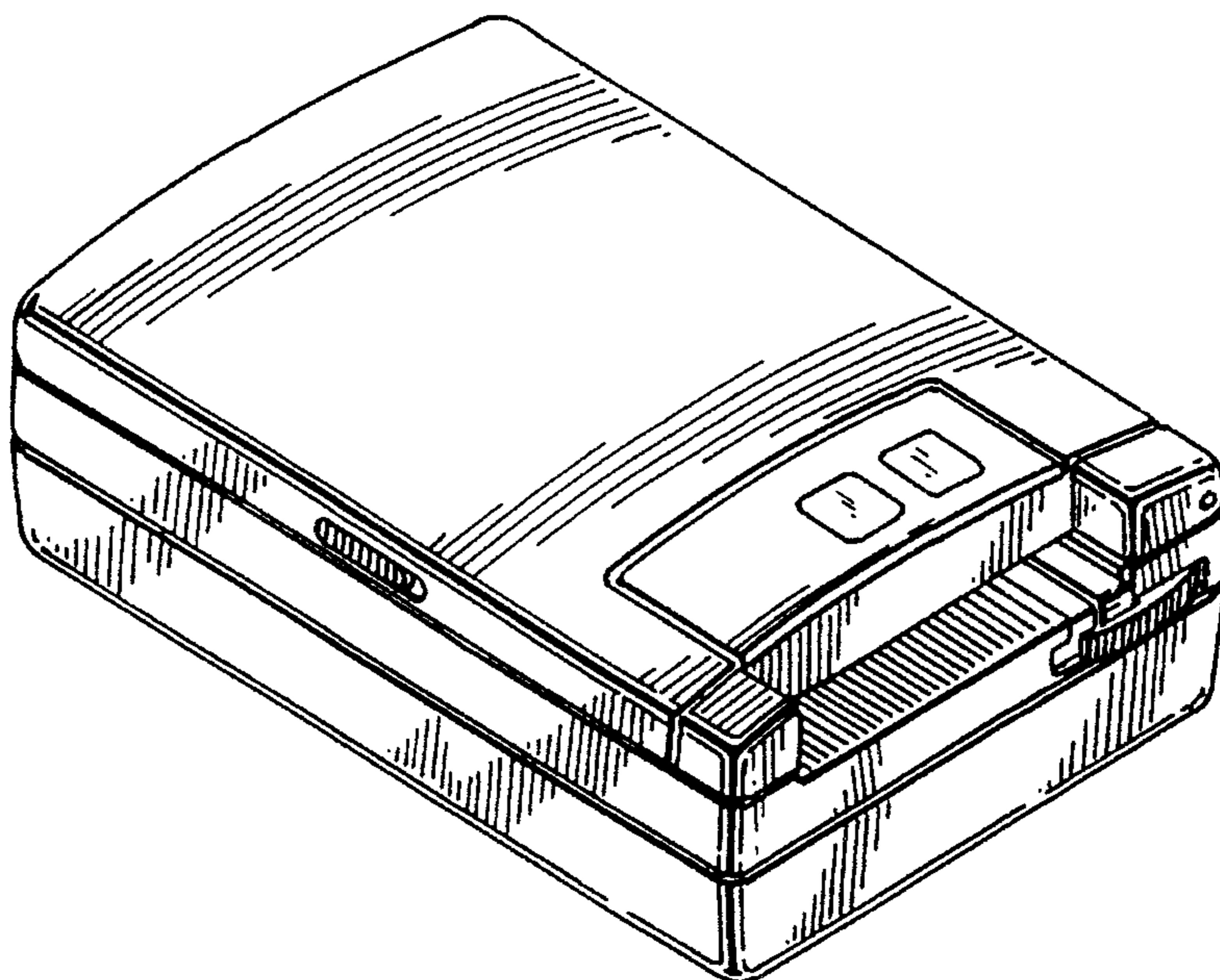
FIG. 12 is a bottom view of the inventive design of FIG. 1 with the cover open;

FIG. 13 is a left side view of the inventive design of FIG. 1 with the cover open;

FIG. 14 is a right side view of the inventive design of FIG. 1 with the cover open; and,

FIG. 15 is a rear view of the inventive design of FIG. 1 with the cover open.

1 Claim, 5 Drawing Sheets



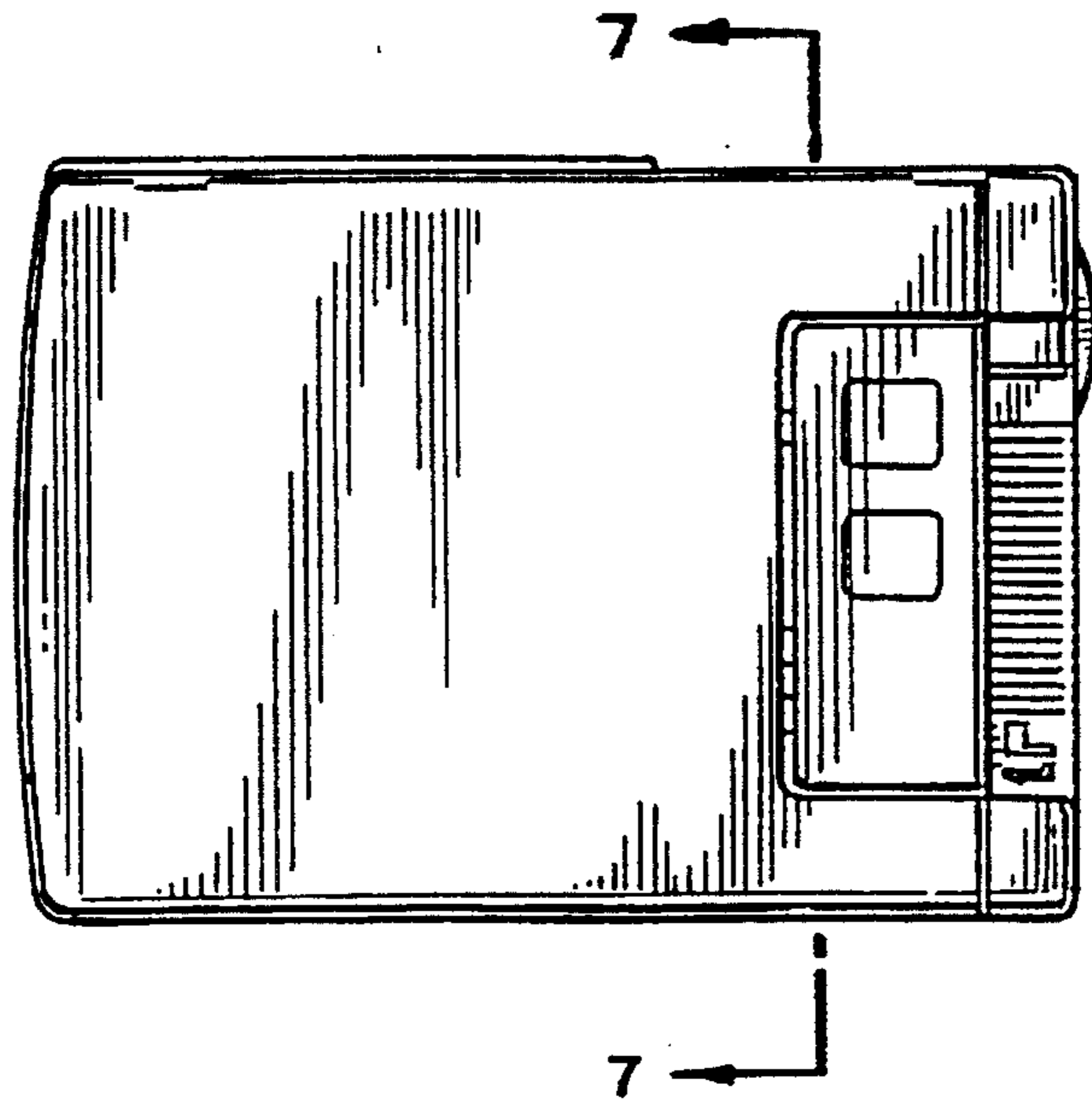


FIG. 1

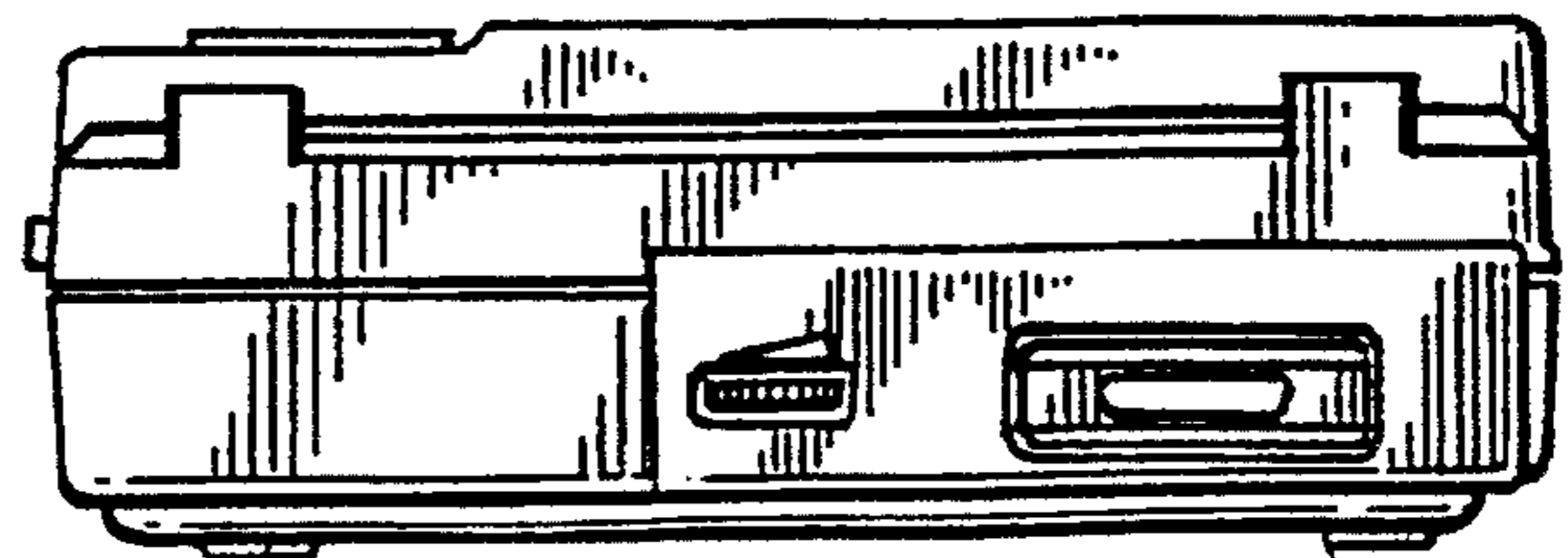


FIG. 2

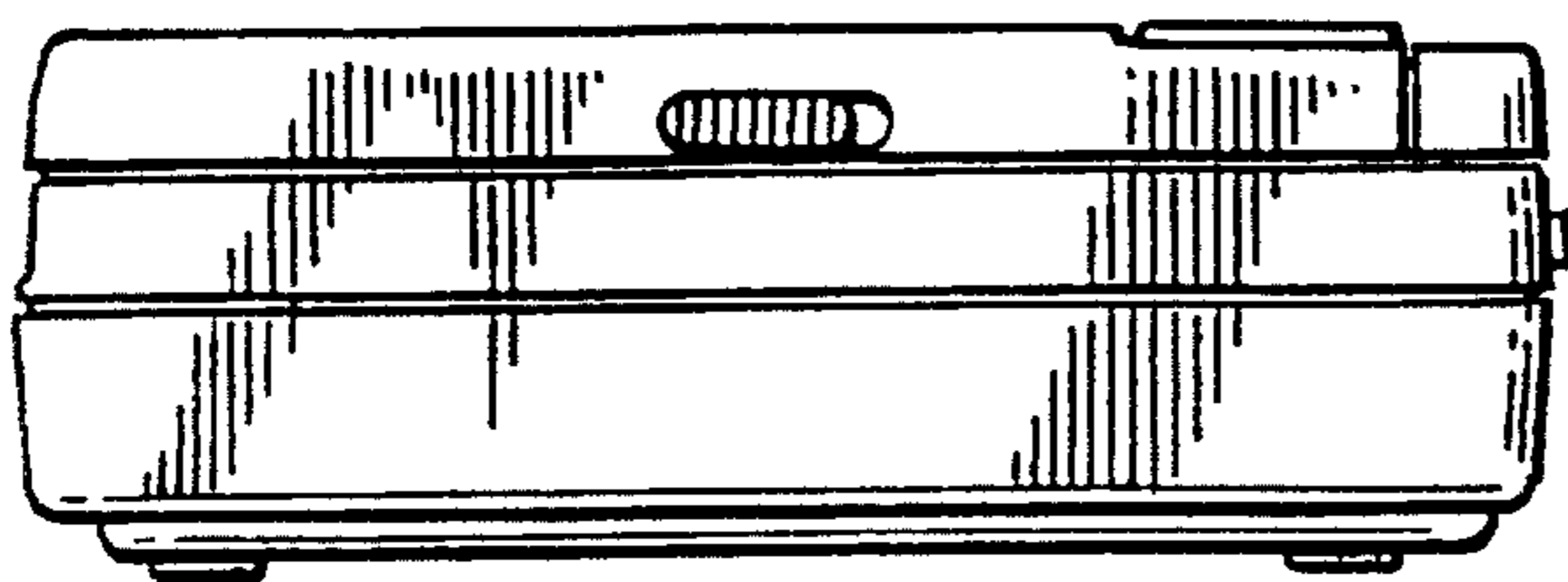


FIG. 3

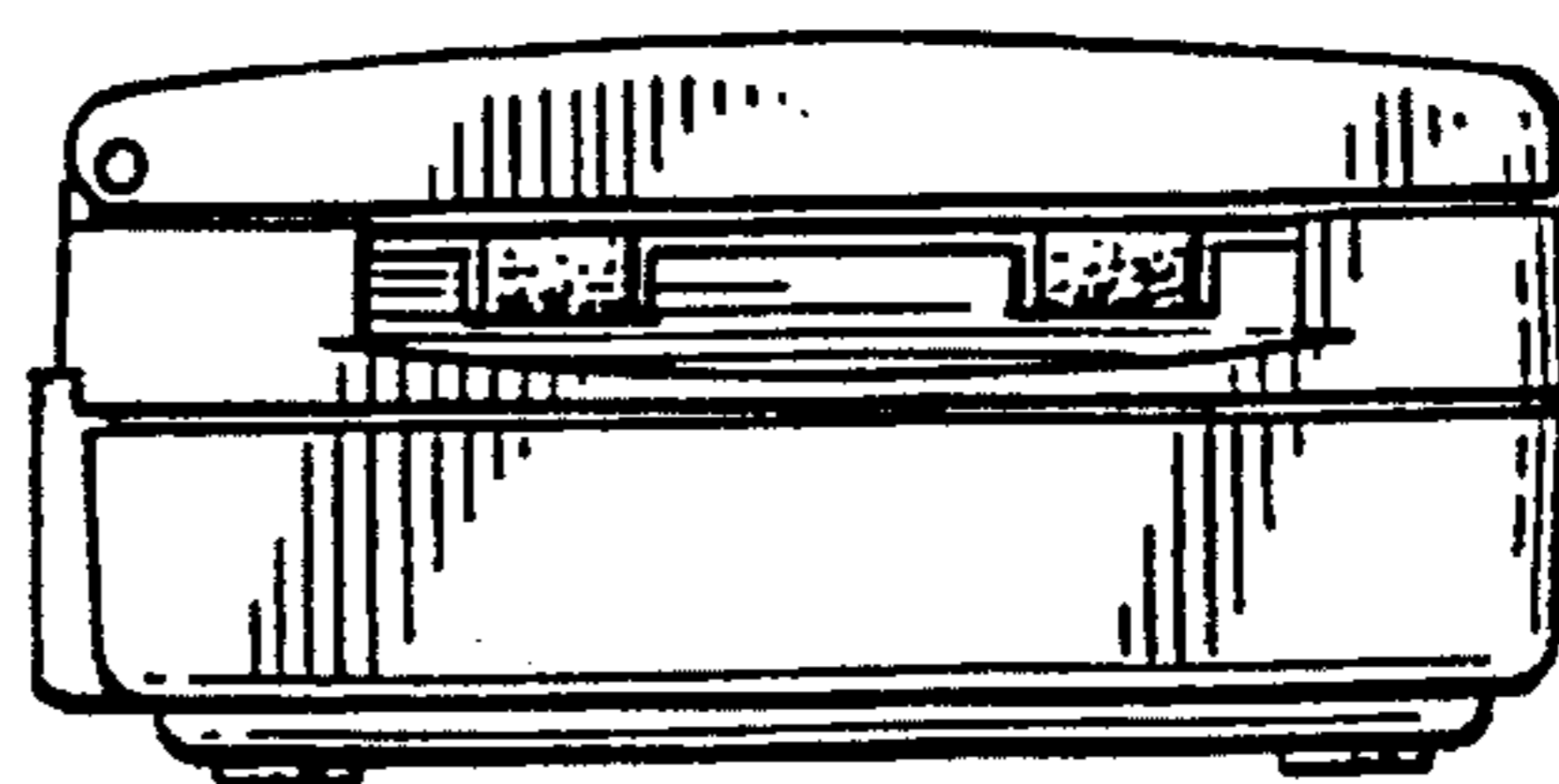
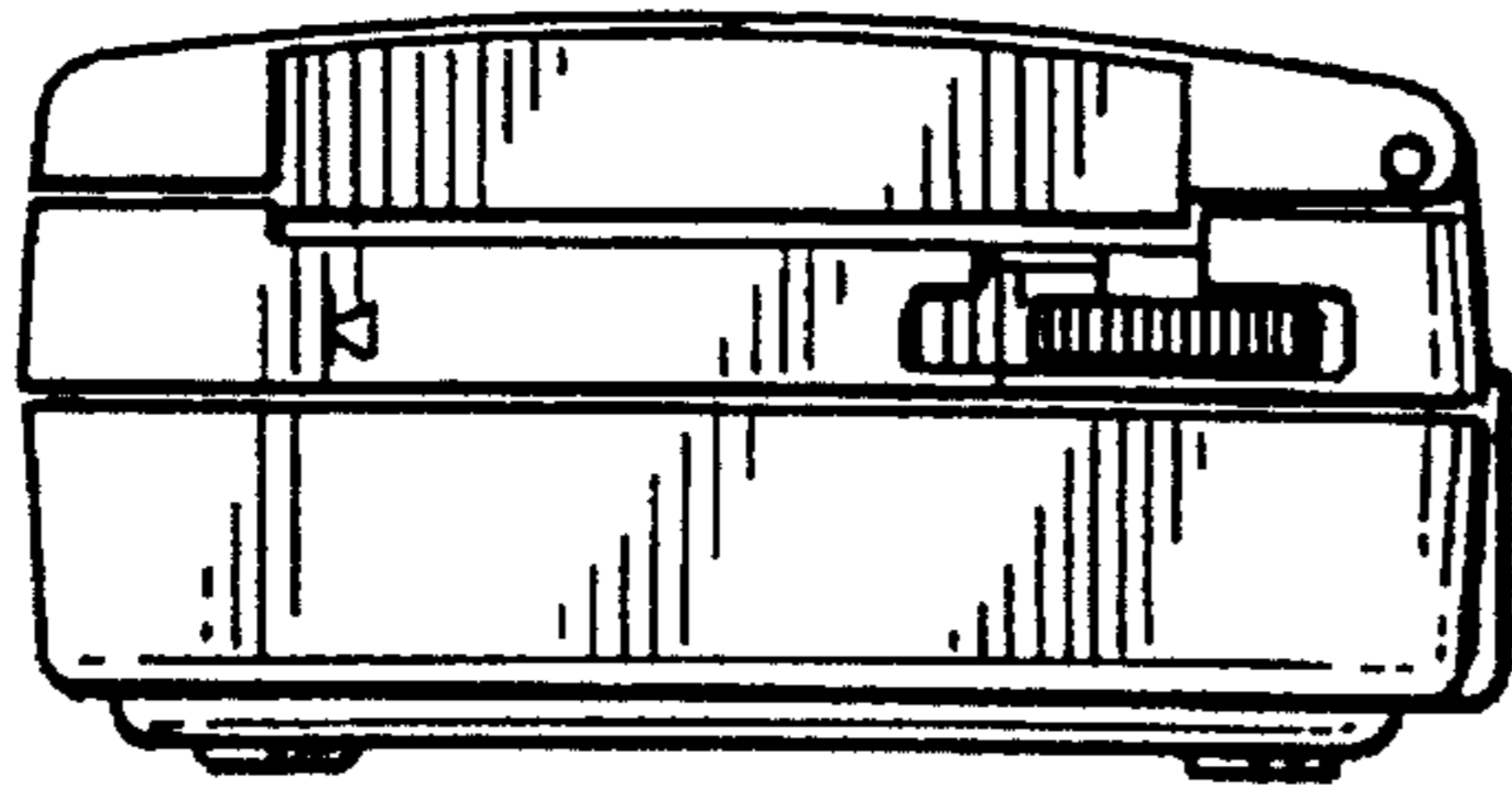
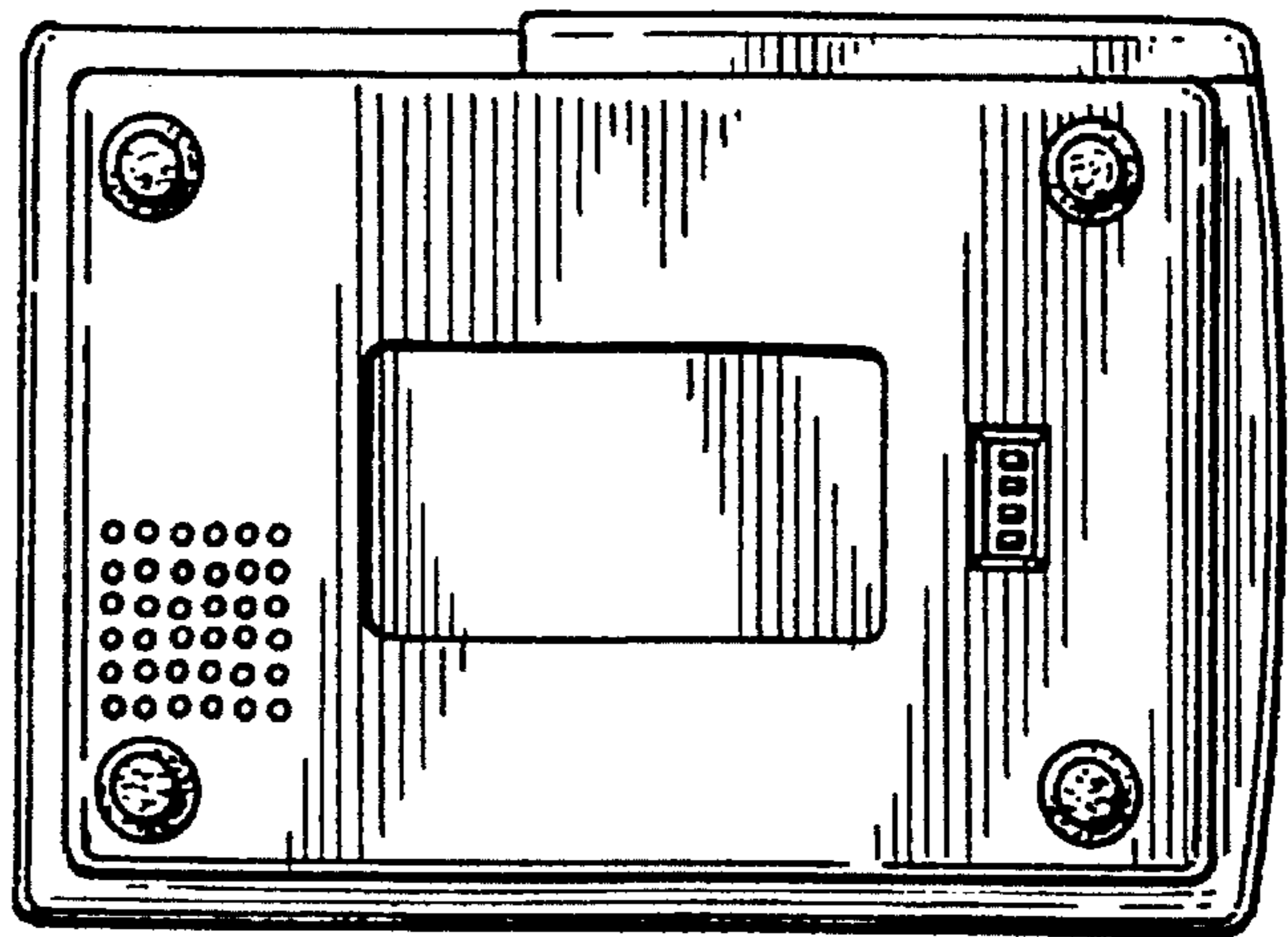


FIG. 4

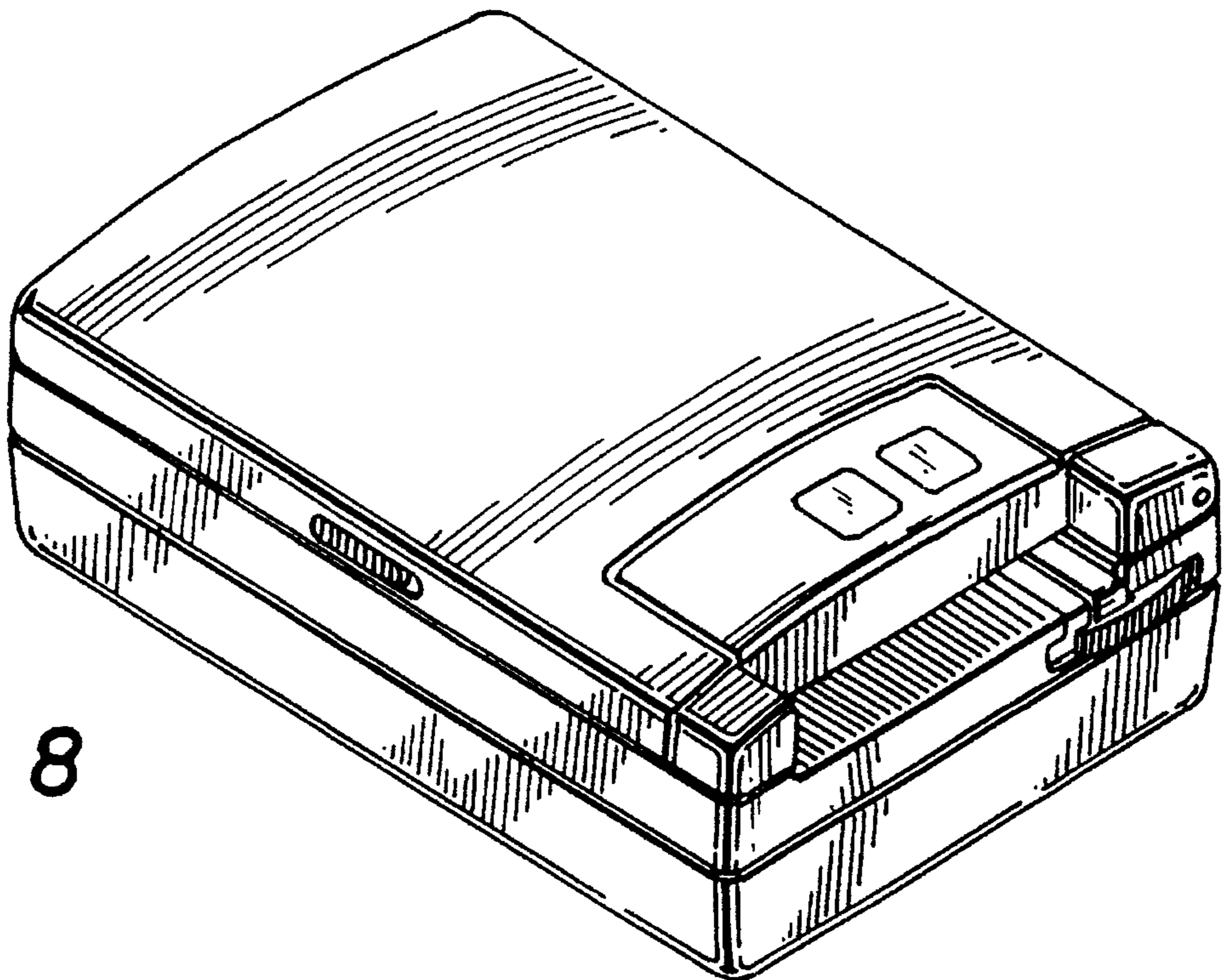


**FIG. 5**

**FIG. 6**

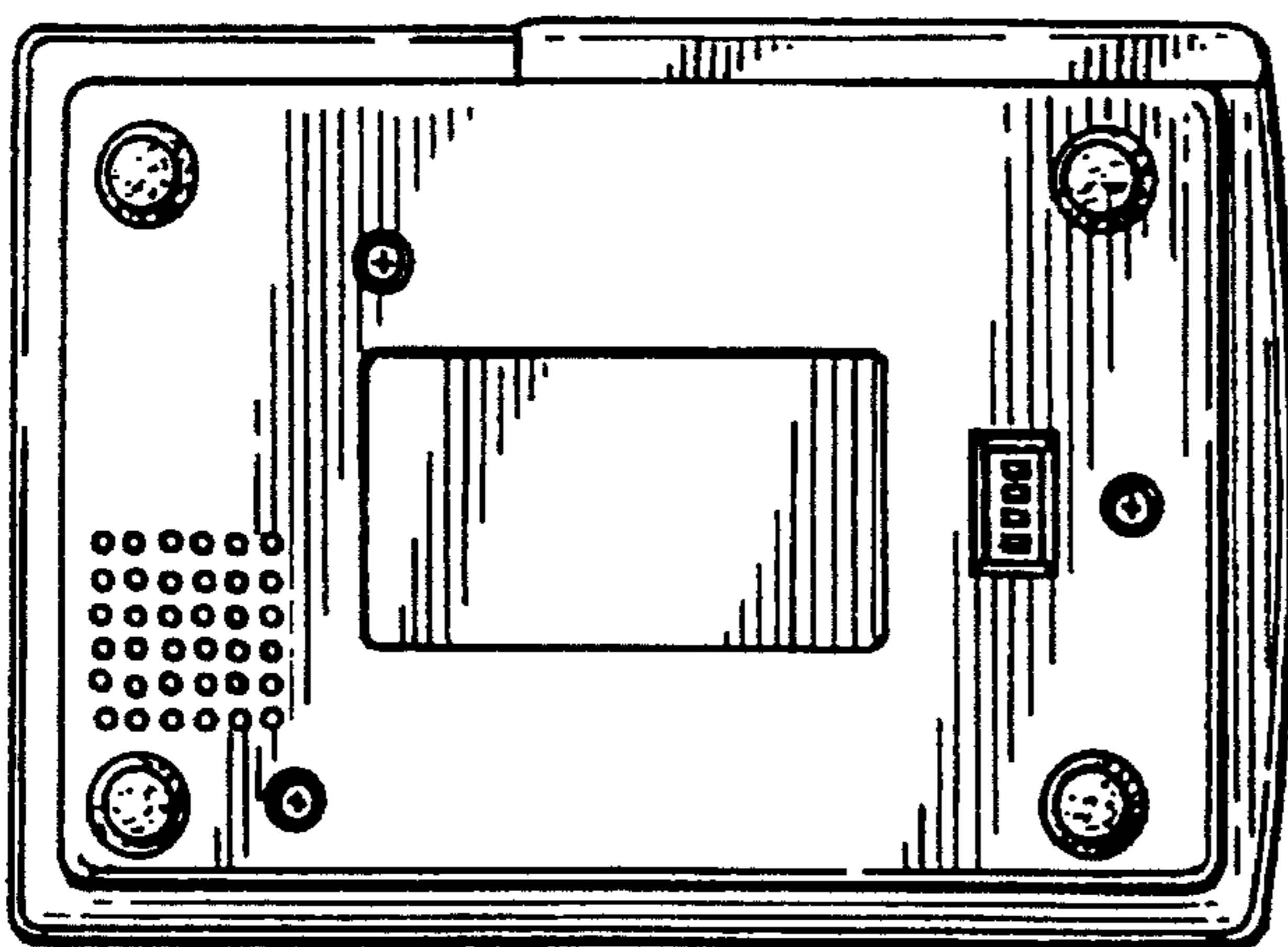
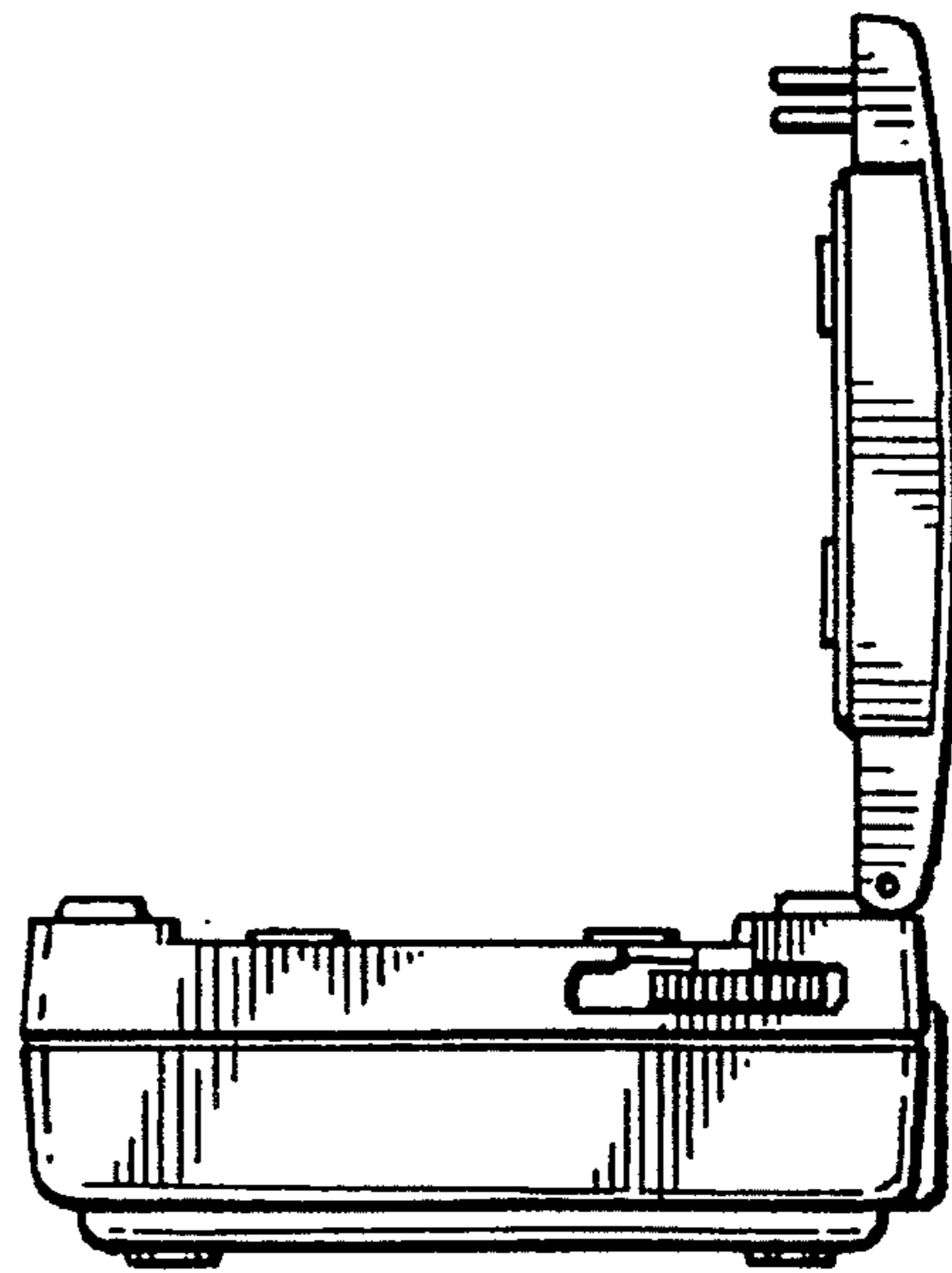


**FIG. 8**



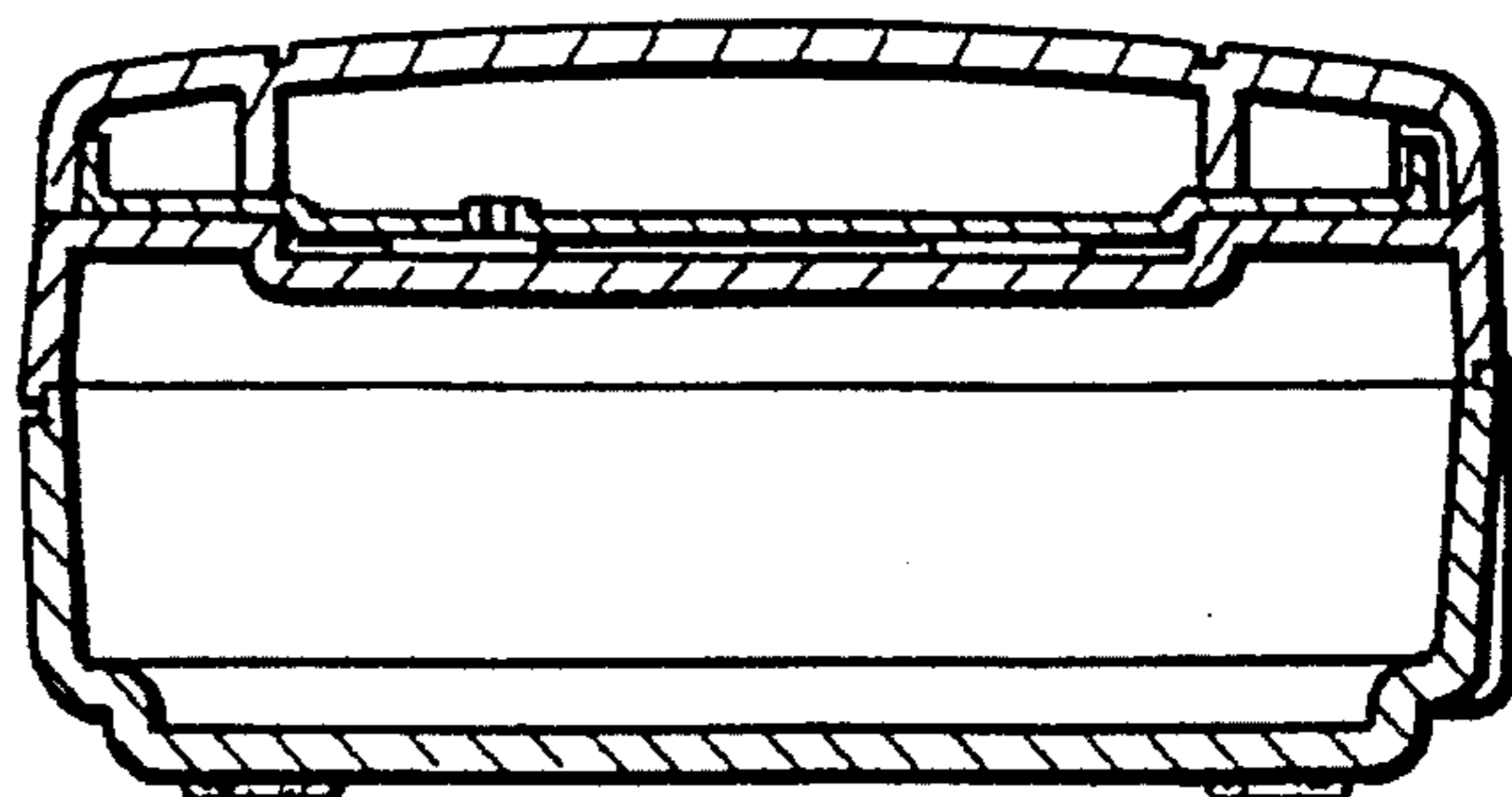


*FIG. 14*



*FIG. 15*

*FIG. 7*



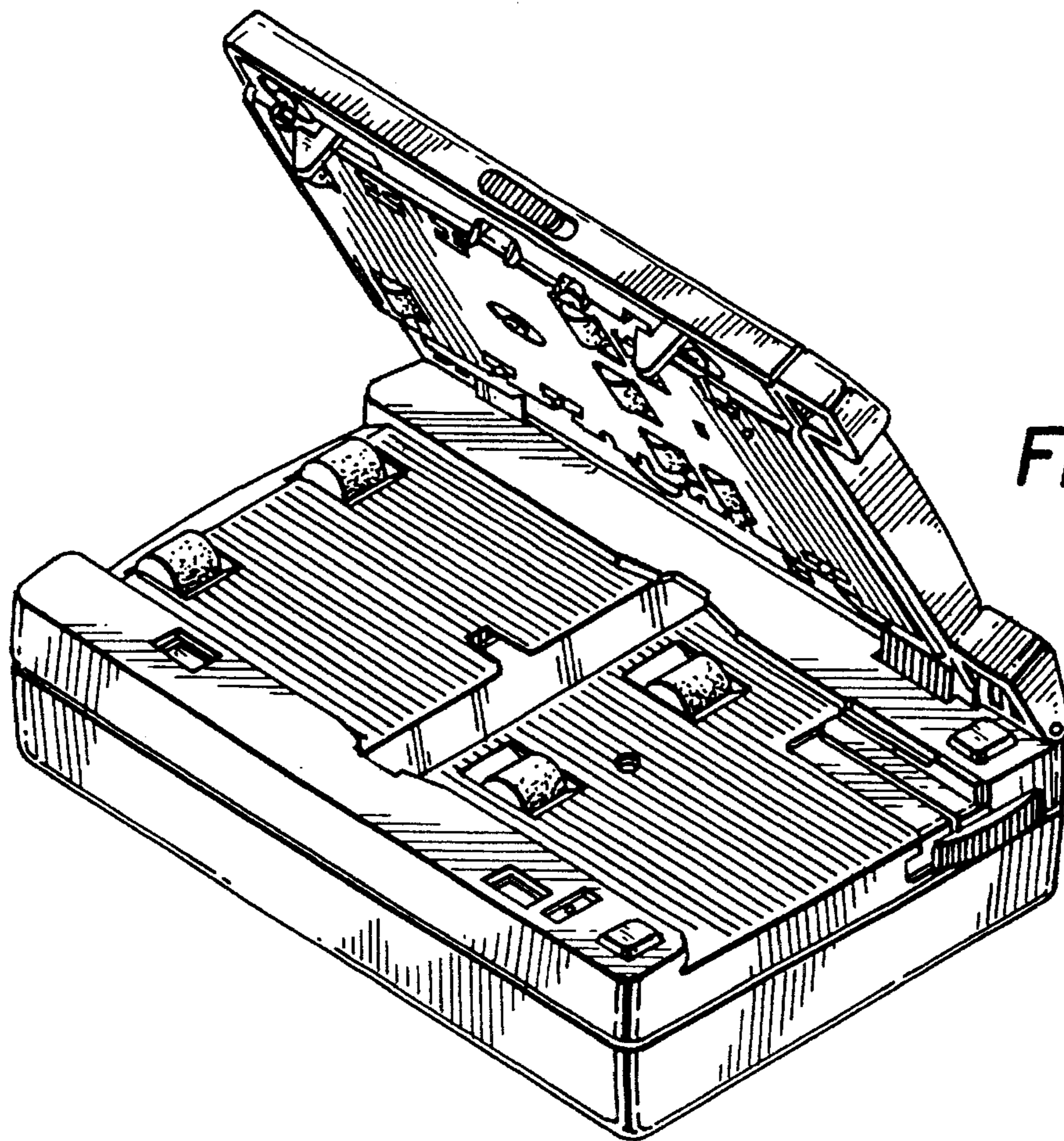


FIG. 9

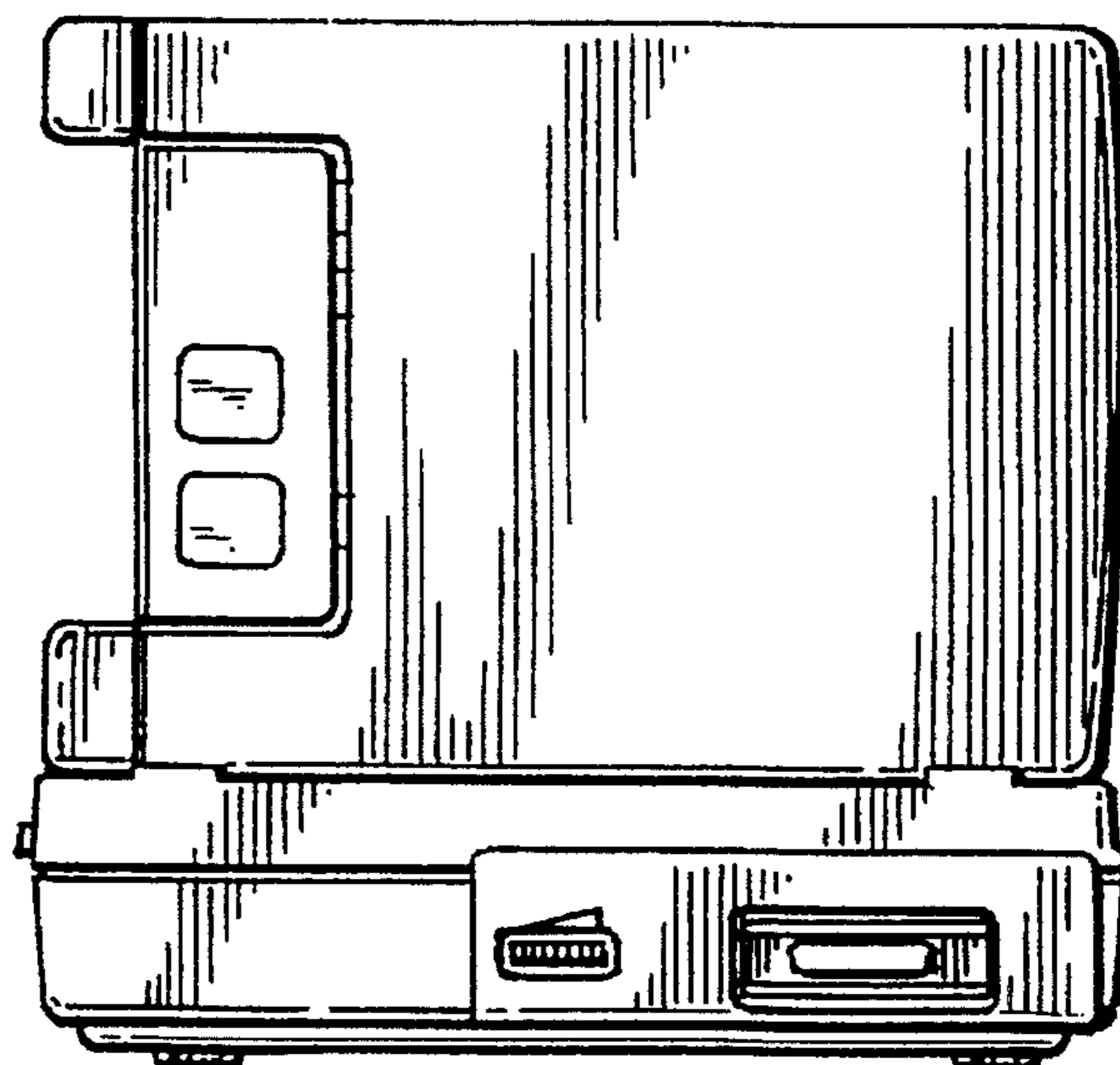


FIG. 11

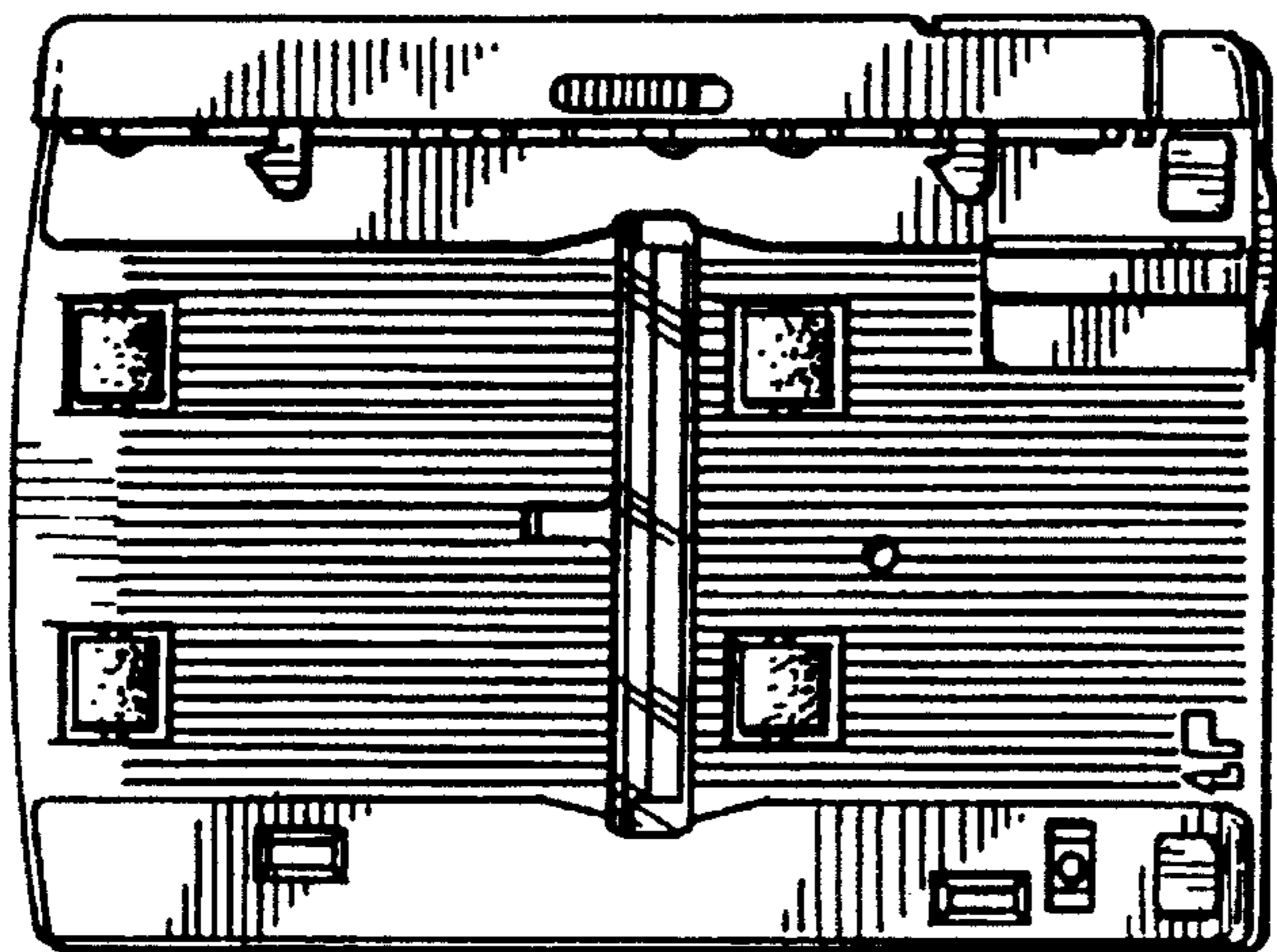


FIG. 10

FIG. 12

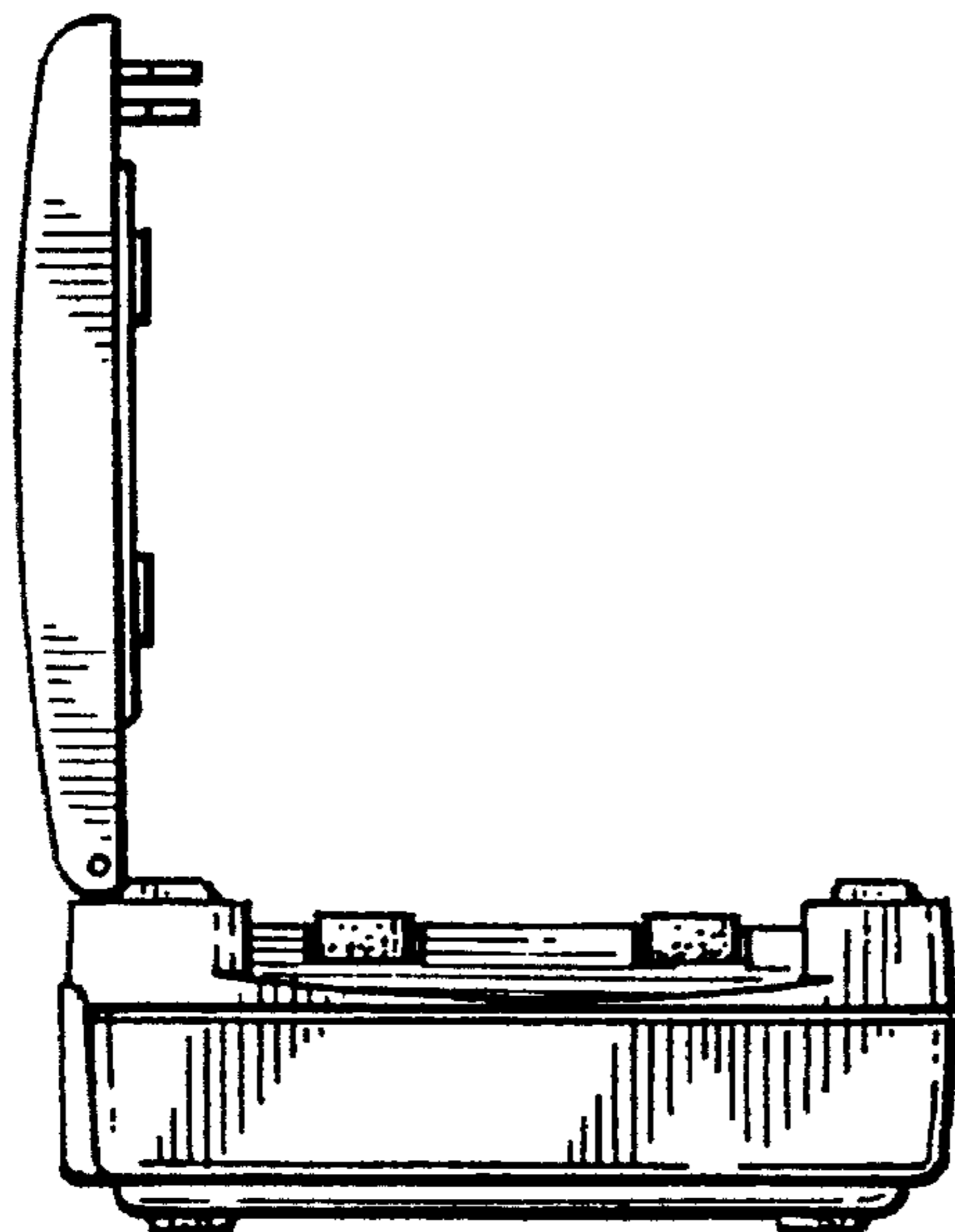
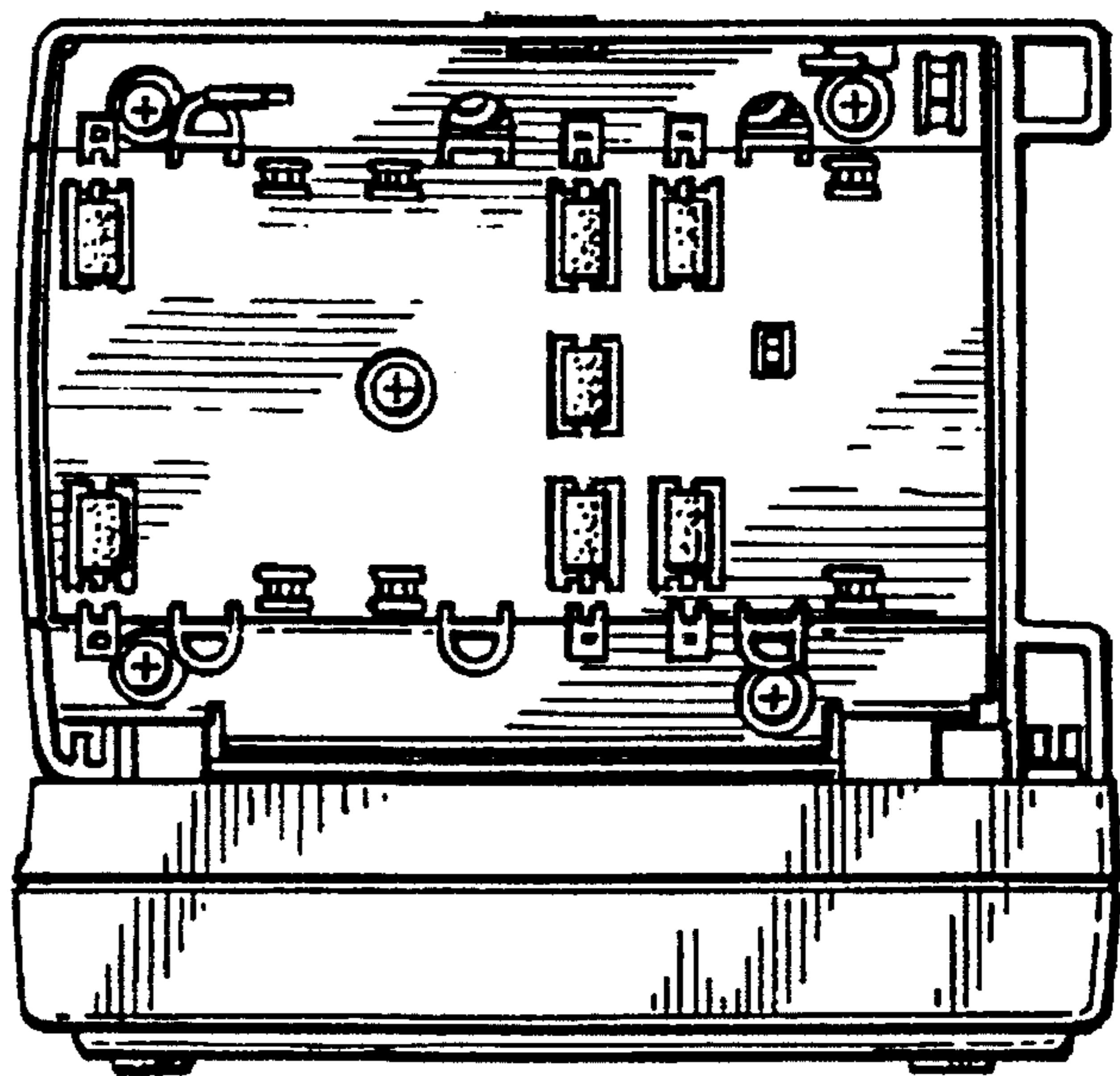


FIG. 13