



US00D368253S

**United States Patent** [19]  
**Graves**

[11] **Patent Number: Des. 368,253**  
[45] **Date of Patent: \*\*Mar. 26, 1996**

[54] **HEAT SINK**

[75] Inventor: **Clane Graves**, Provo, Utah

[73] Assignee: **Rockford Corporation**, Tempe, Ariz.

[\*\*] Term: **14 Years**

[21] Appl. No.: **10,951**

[22] Filed: **Jul. 19, 1993**

[52] U.S. Cl. .... **D13/179**

[58] **Field of Search** ..... D13/179; 174/16.3;  
361/110, 704, 709; 257/718, 719, 722;  
165/80.3, 185

[56] **References Cited**

**U.S. PATENT DOCUMENTS**

D. 260,513	9/1981	Comstock	.....	D13/179	X
4,679,250	7/1987	Davis et al.	.....	361/704	X
5,267,122	11/1993	Glover et al.	.....	361/704	

*Primary Examiner*—Joel Sincavage

*Attorney, Agent, or Firm*—Warner Norcross & Judd

[57] **CLAIM**

The ornamental design for a heat sink, as shown and described.

**DESCRIPTION**

FIG. 1 is a perspective view showing a heat sink embodying

my new design;

FIG. 2 is a top plan view thereof;

FIG. 3 is an elevational view of both sides thereof;

FIG. 4 is an elevational view of both ends thereof;

FIG. 5 is a bottom plan view thereof;

FIG. 6 is a perspective view of a heat sink showing a second embodiment of my new design;

FIG. 7 is a top plan view thereof;

FIG. 8 is an elevational view of both sides thereof;

FIG. 9 is a bottom plan view thereof;

FIG. 10 is a perspective view of a heat sink showing a third embodiment of my new design;

FIG. 11 is a top plan view thereof;

FIG. 12 is an elevational view of both sides thereof;

FIG. 13 is a bottom plan view thereof;

FIG. 14 is a perspective view of a heat sink showing a fourth embodiment of my new design;

FIG. 15 is a top plan view thereof;

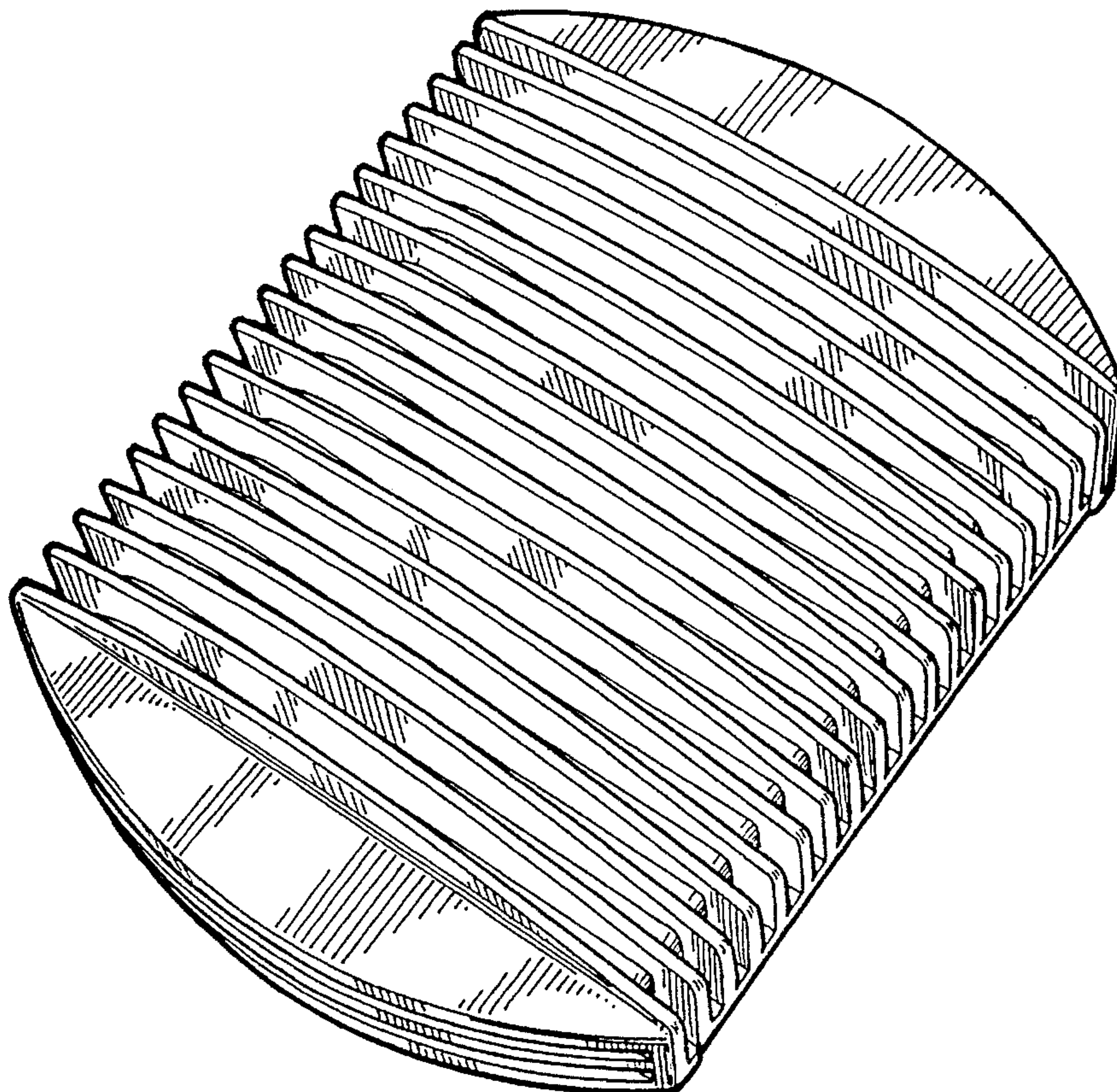
FIG. 16 is an elevational view of both sides thereof;

FIG. 17 is a bottom plan view thereof; and,

FIG. 18 is a bottom perspective view of the FIGS. 1-5 embodiment.

The end views of the second, third, and fourth embodiments are identical to that of the first embodiment. The bottom perspective view of the second, third, and fourth embodiments are generally the same as the first embodiment except for length.

**1 Claim, 9 Drawing Sheets**





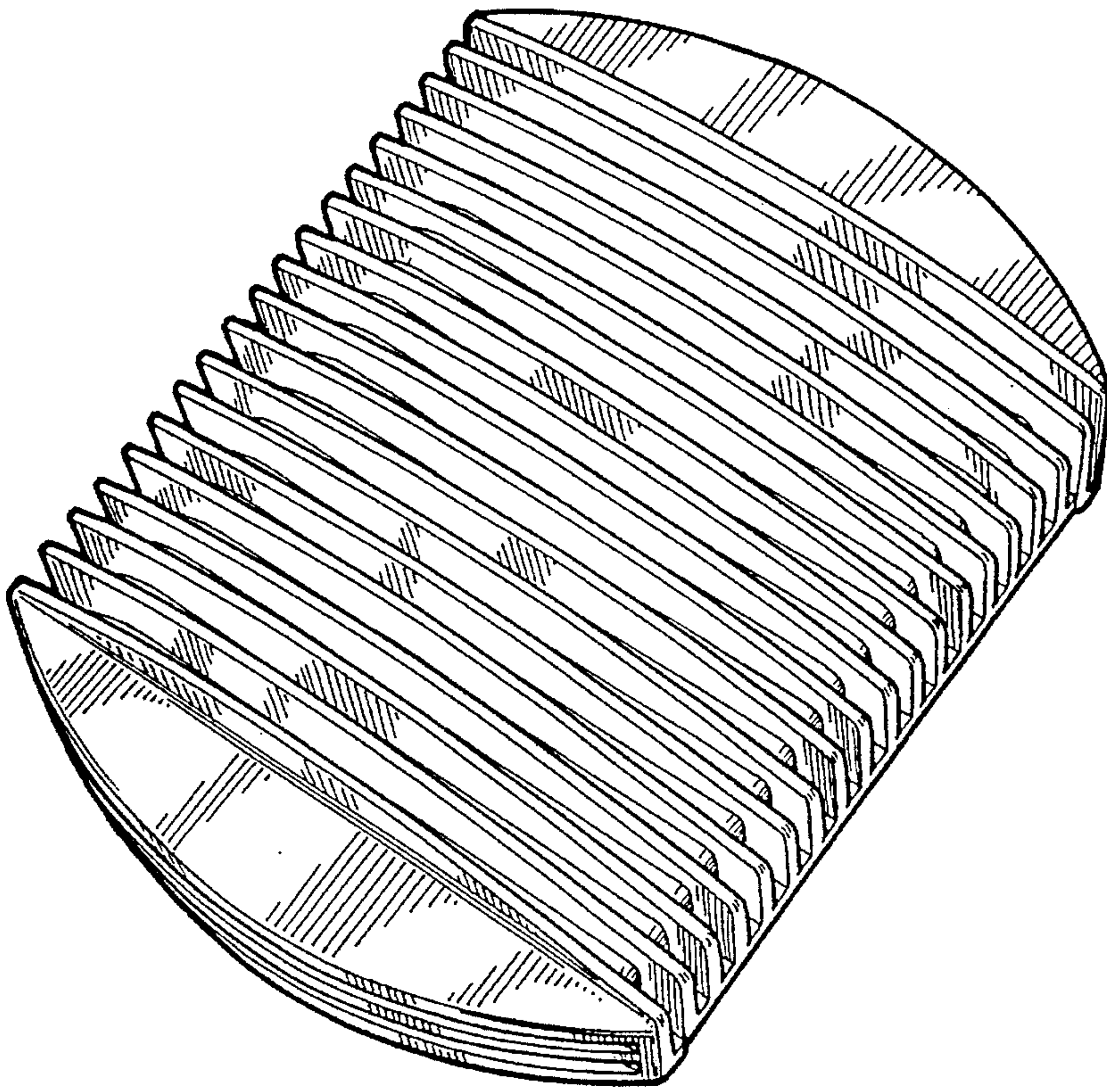


FIG. 1

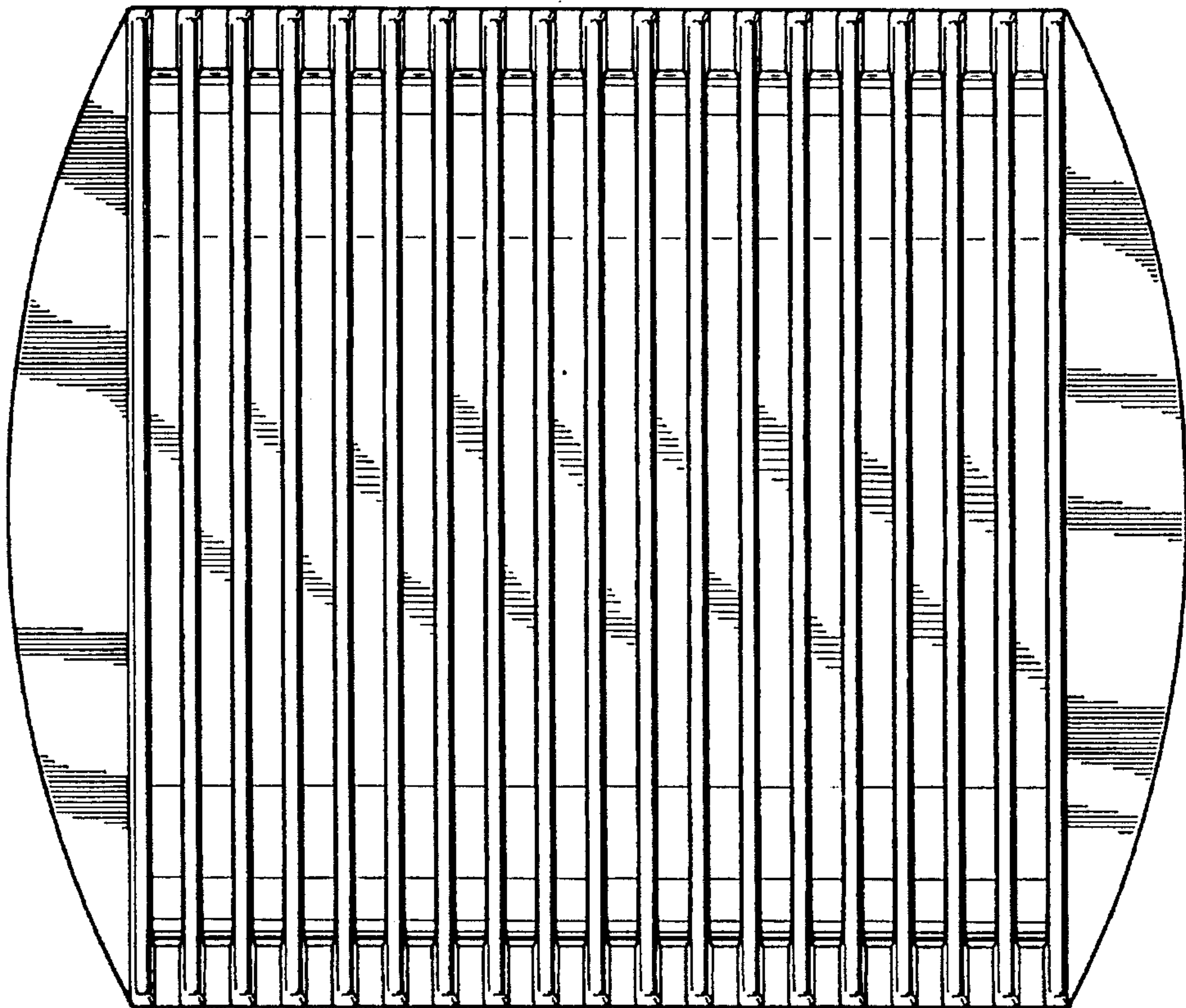


FIG. 2

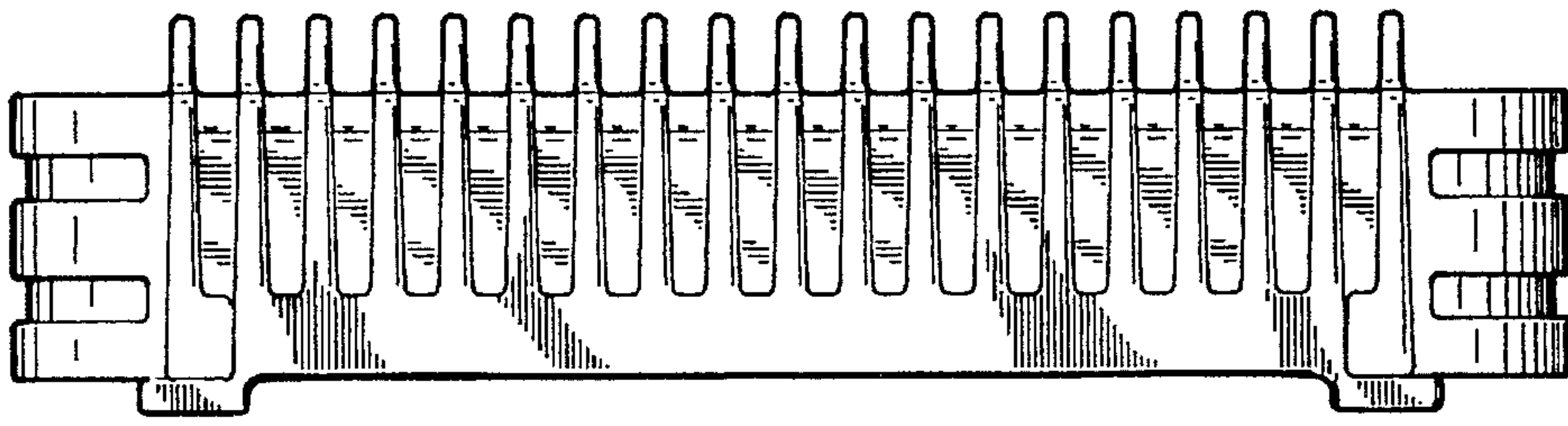


FIG. 3

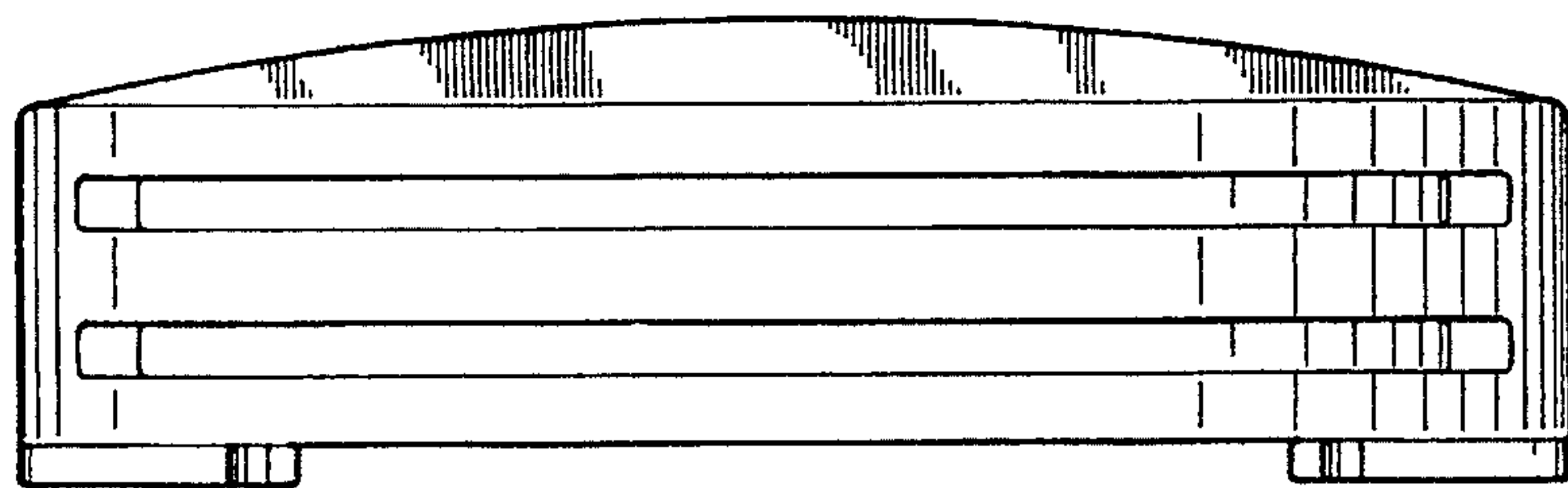


FIG. 4

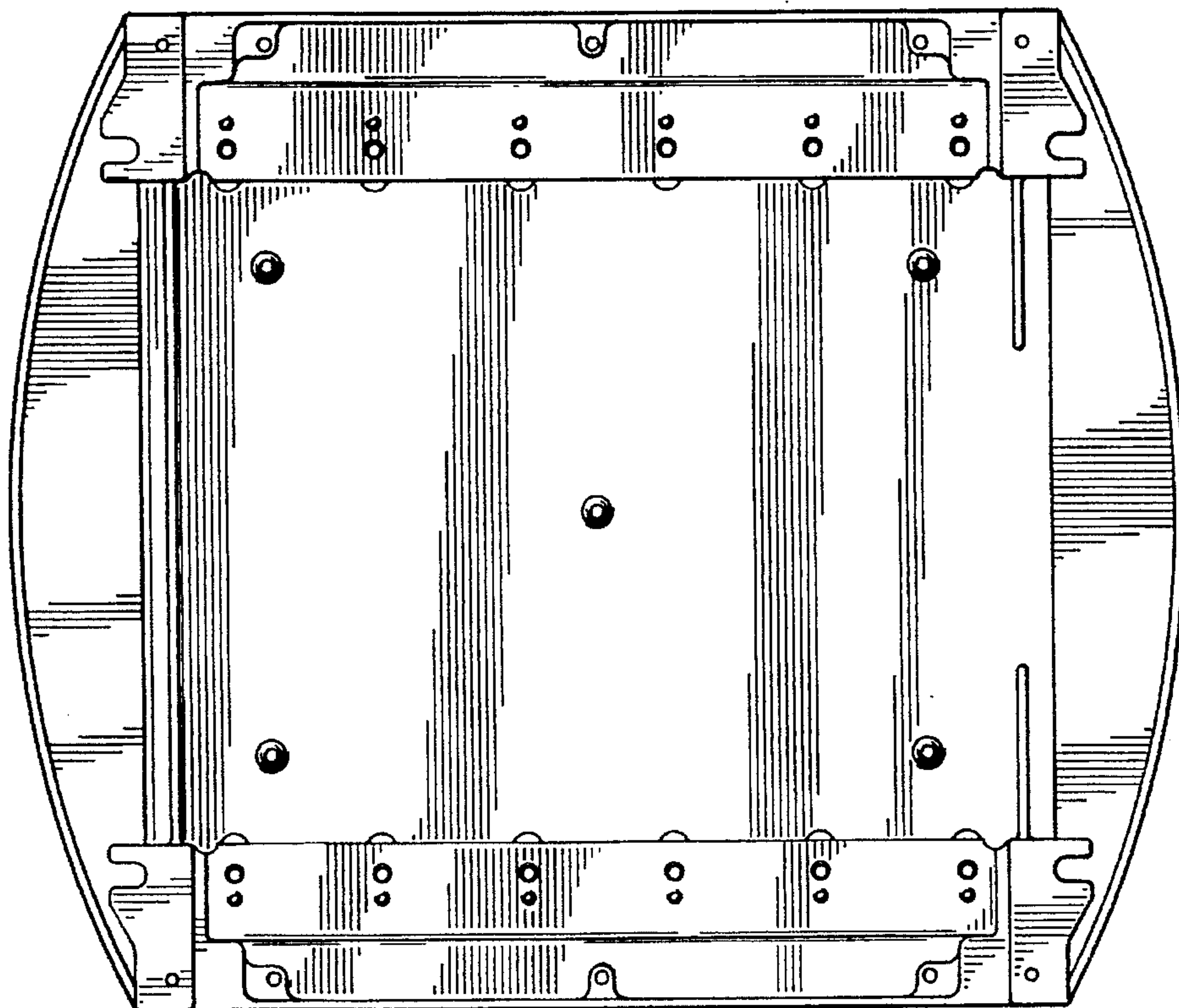


FIG. 5



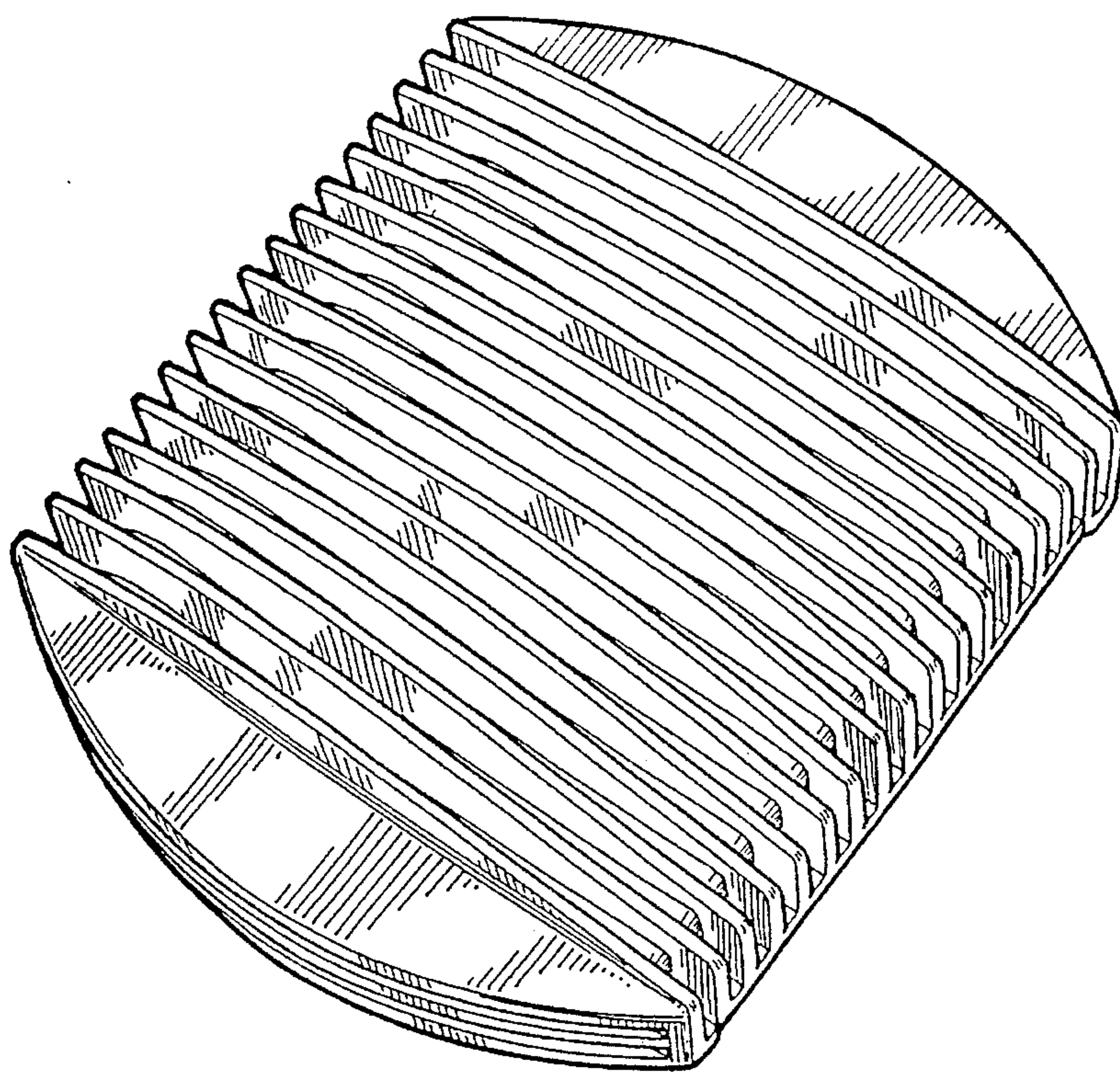


FIG. 6

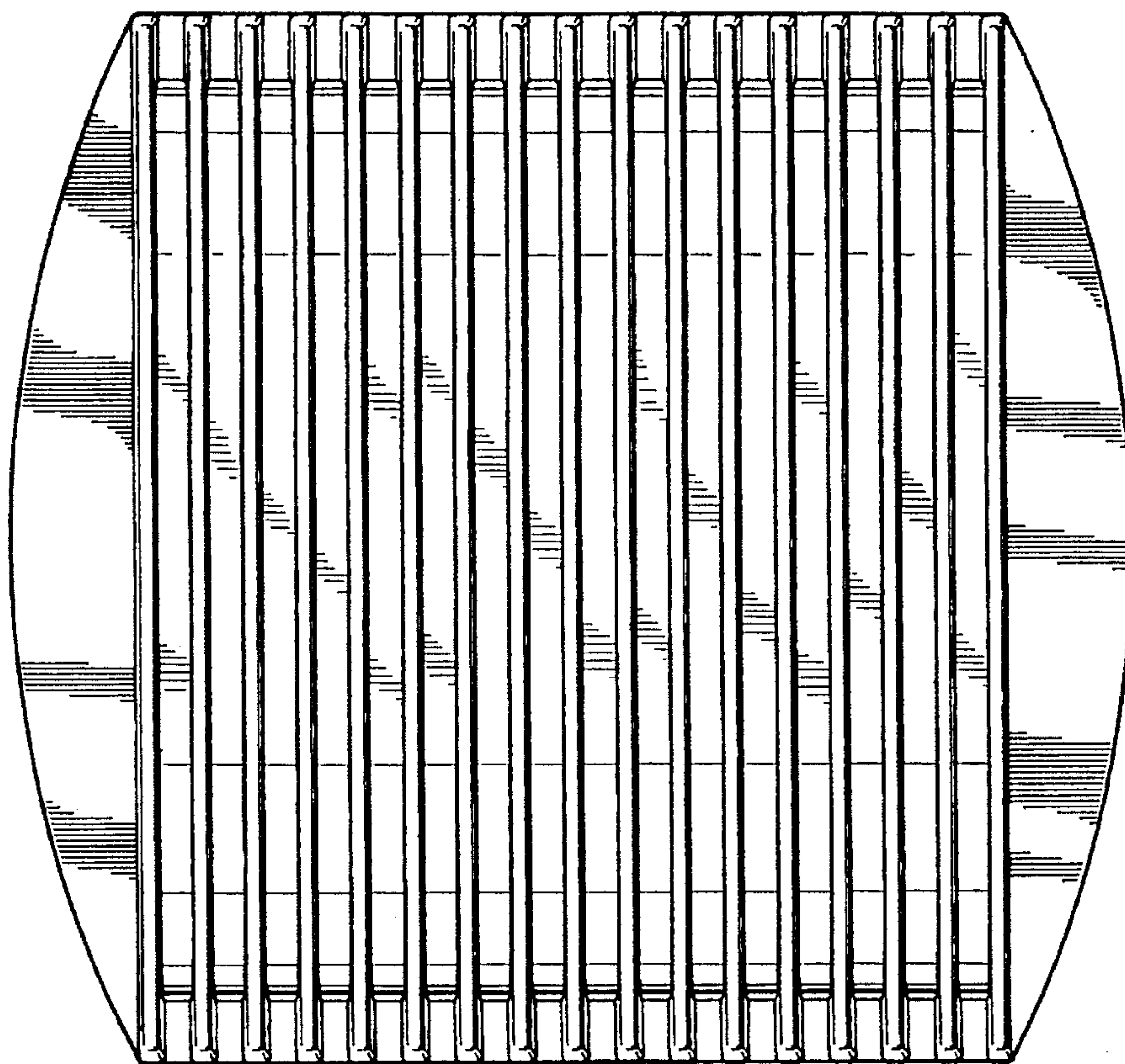


FIG. 7

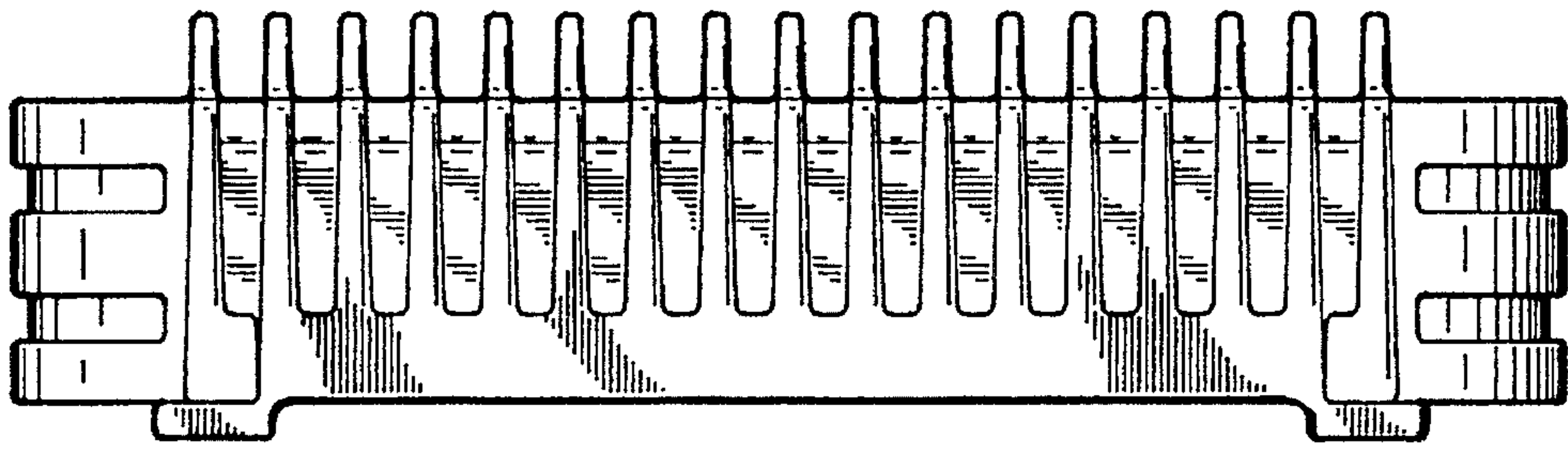


FIG. 8

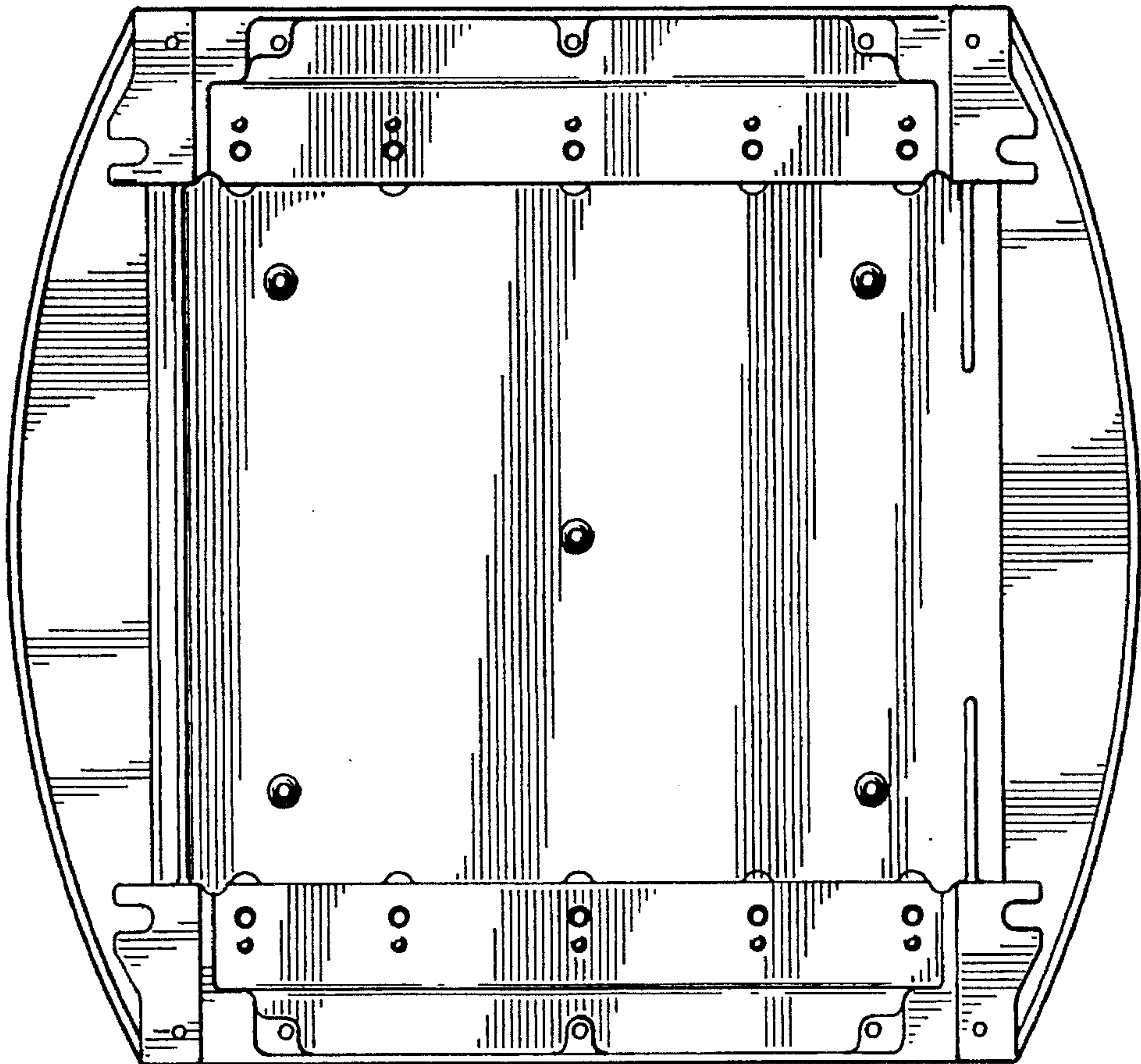


FIG. 9



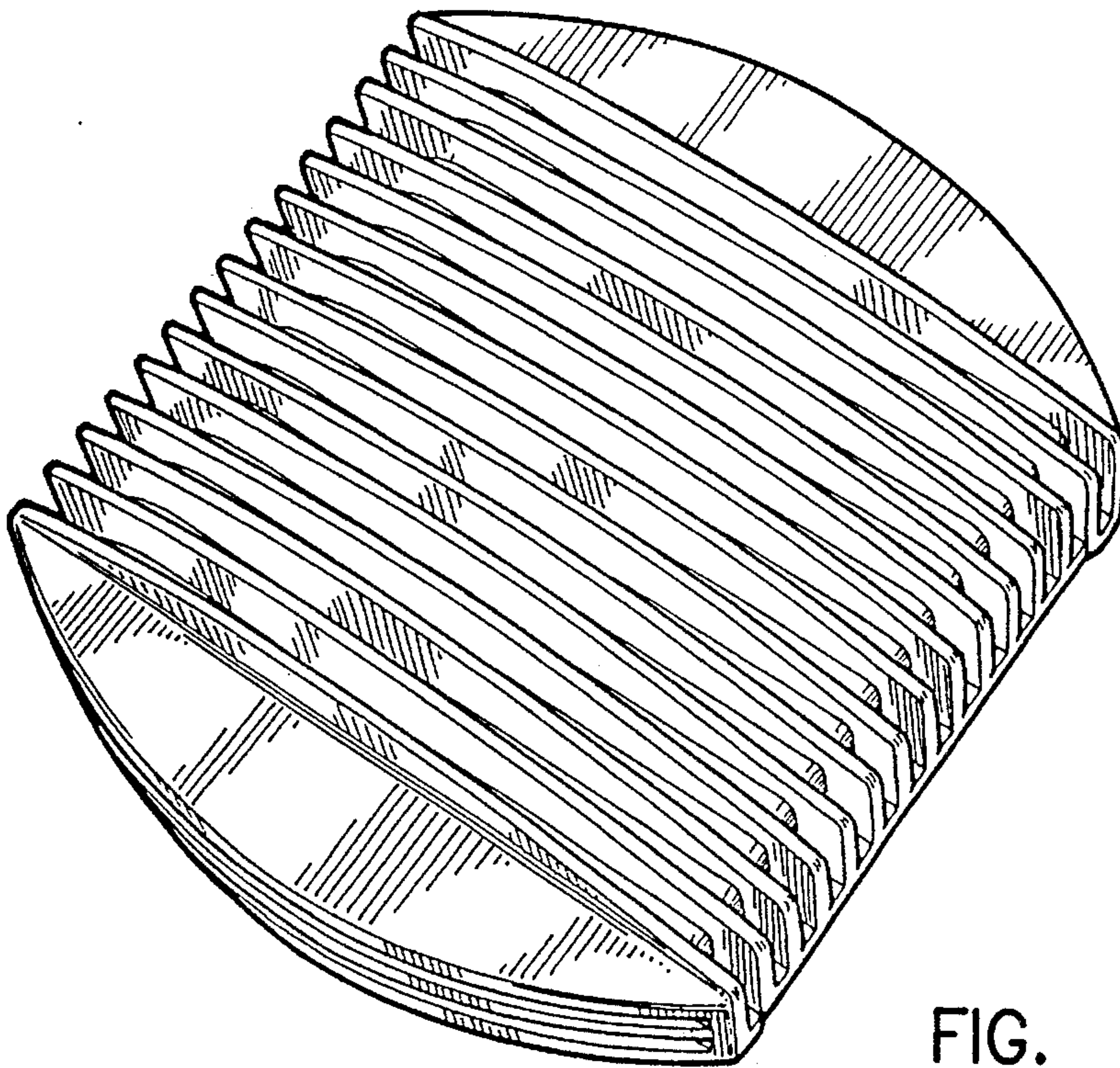


FIG. 10

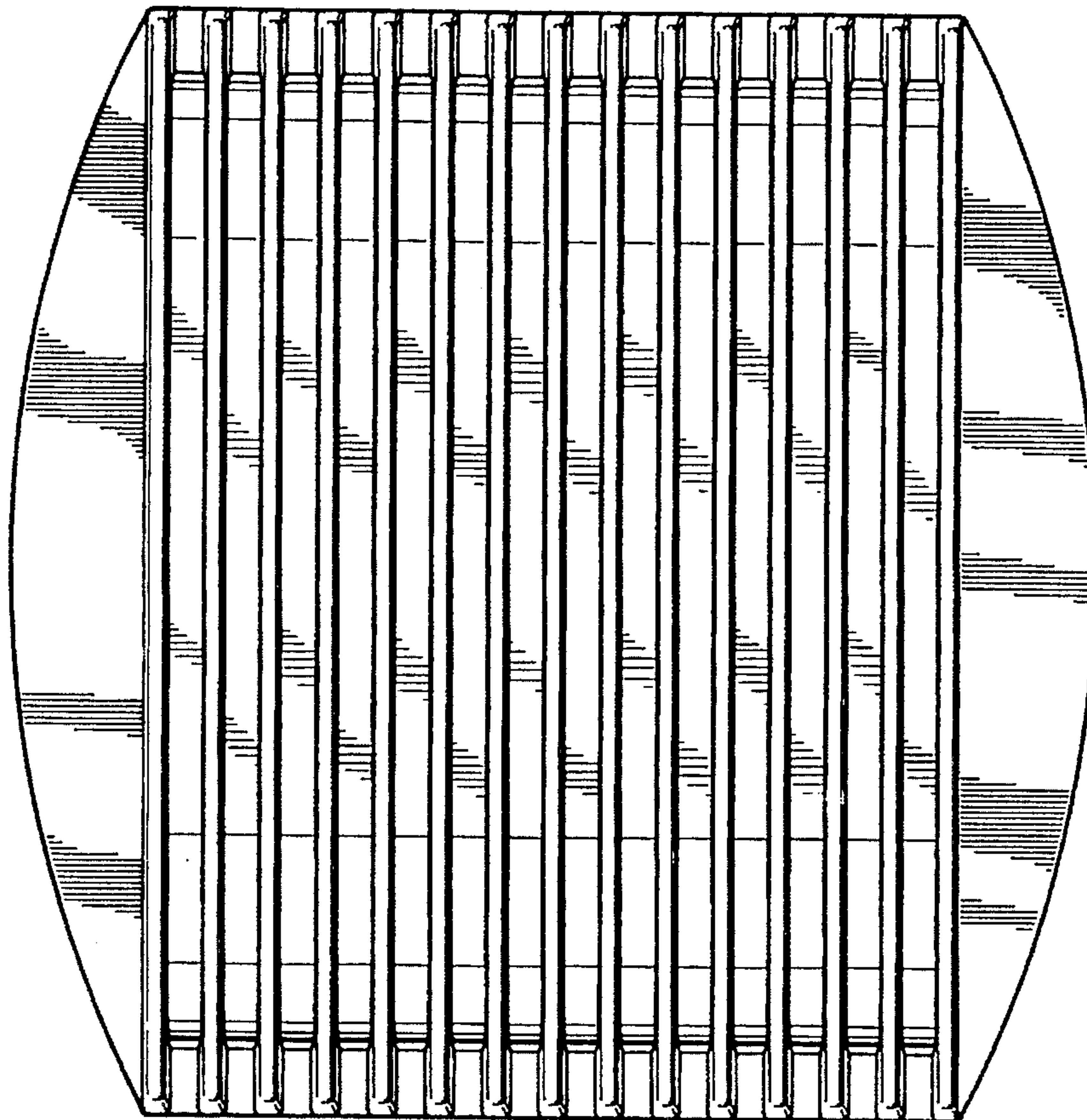


FIG. 11

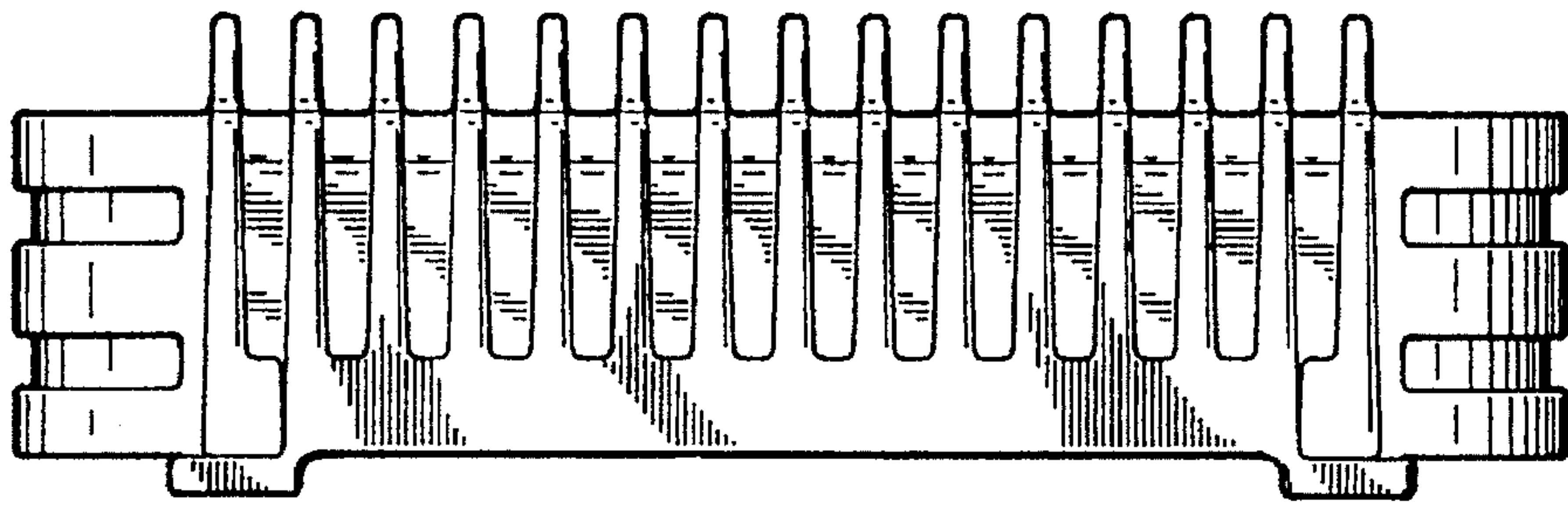


FIG. 12

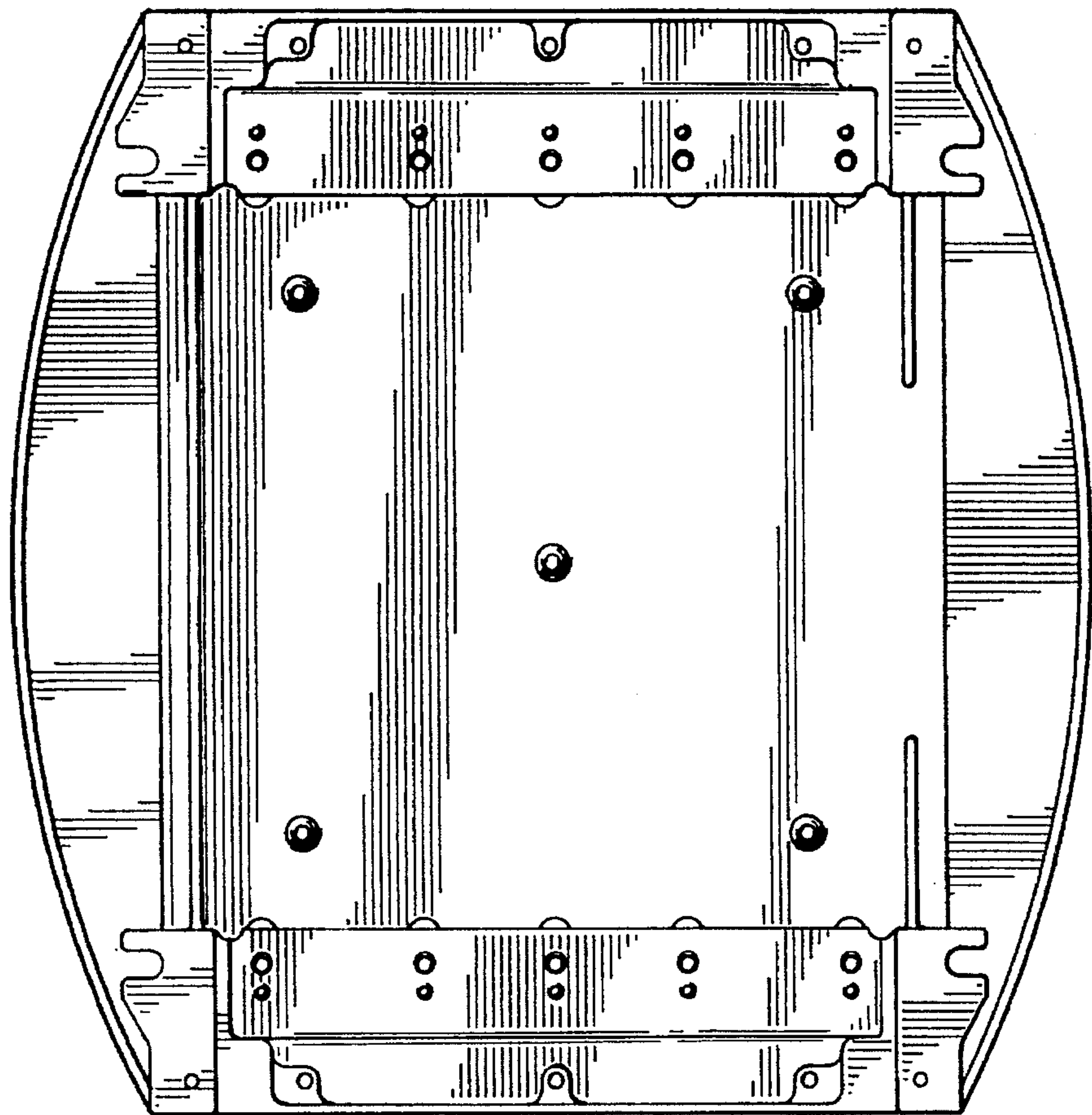


FIG. 13



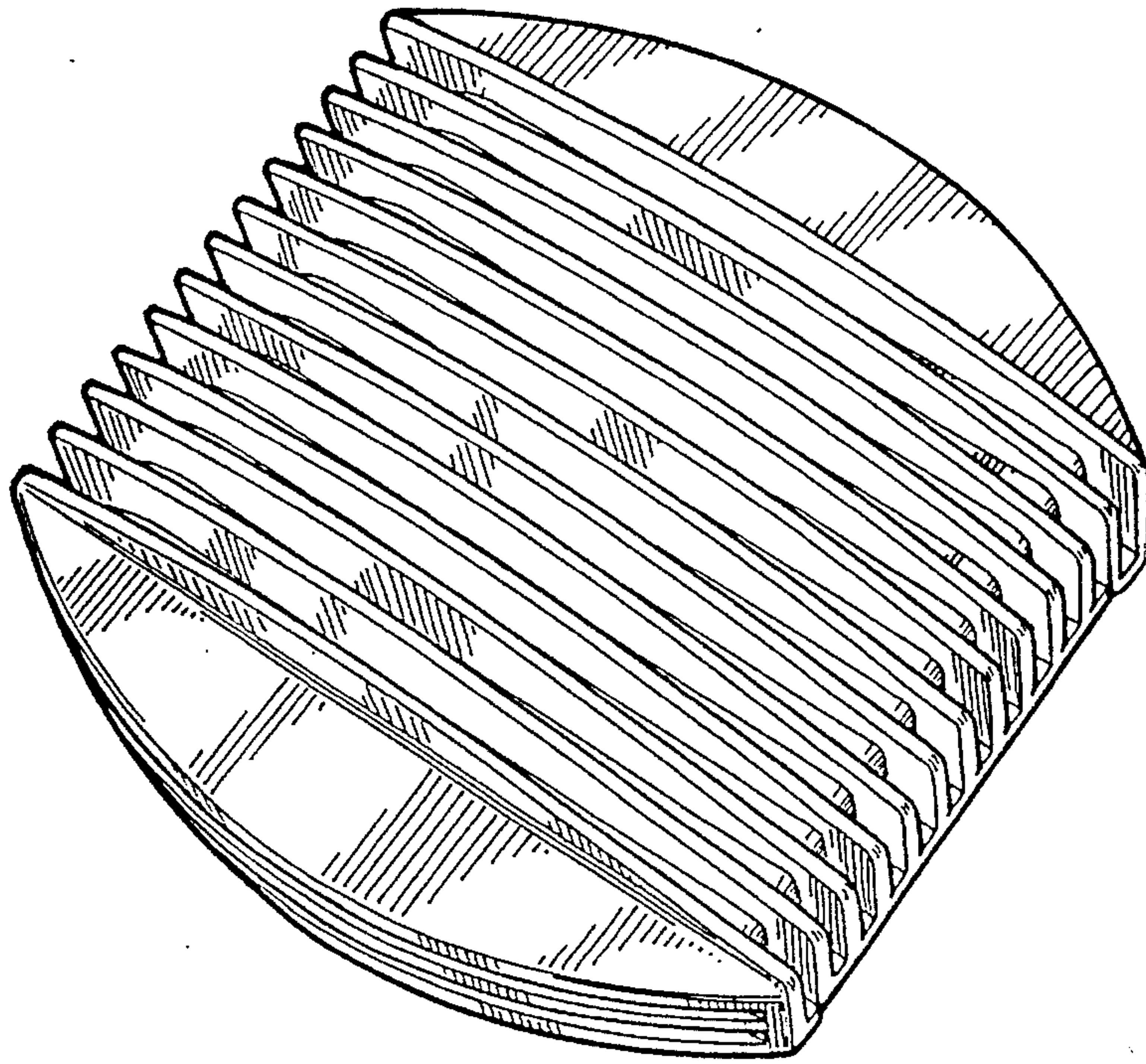


FIG. 14

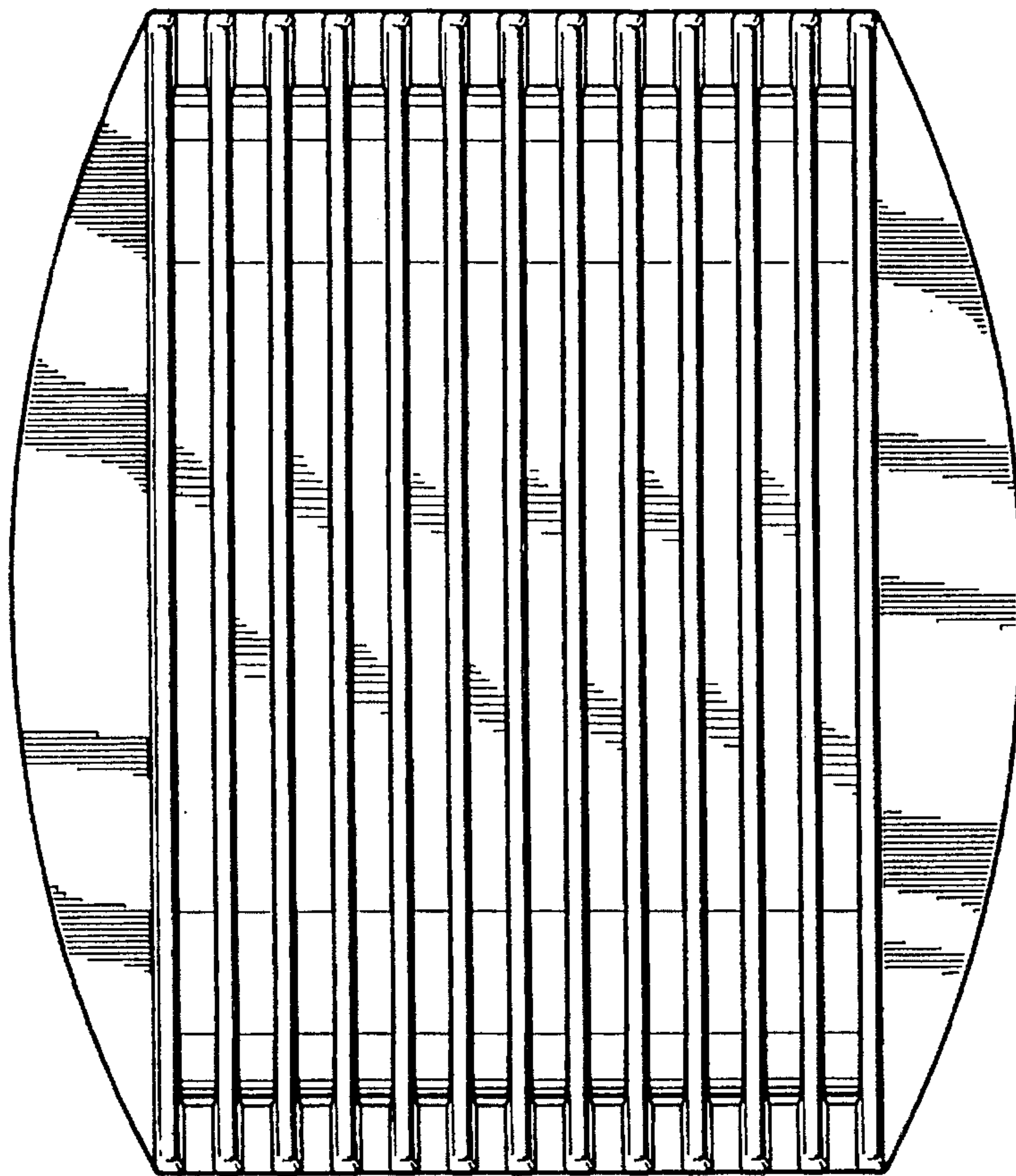


FIG. 15



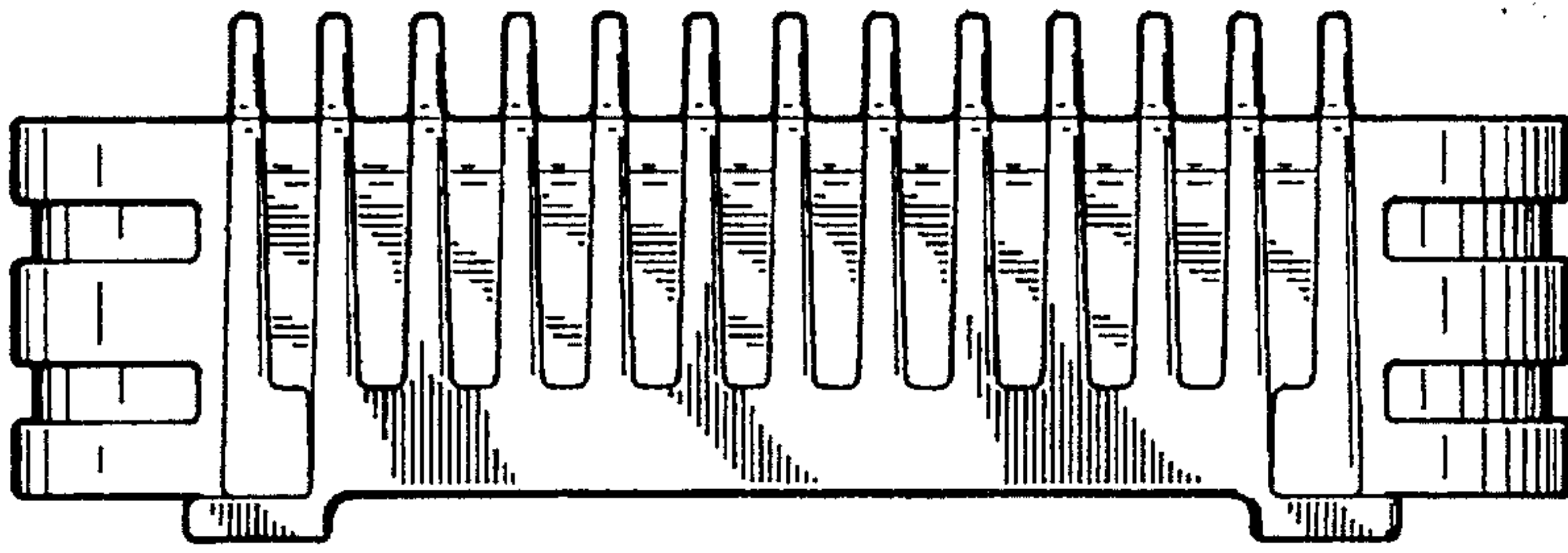


FIG. 16

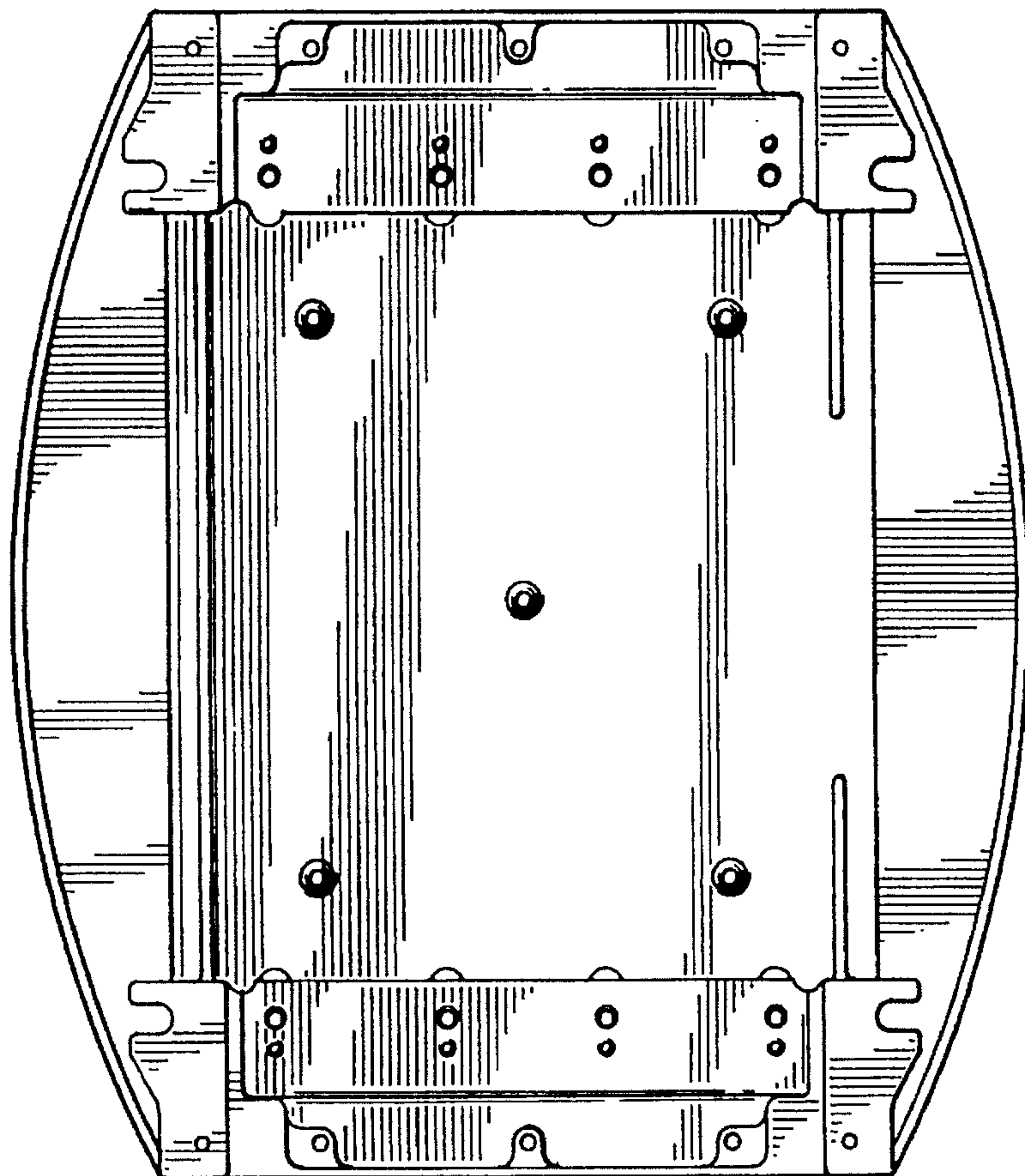


FIG. 17

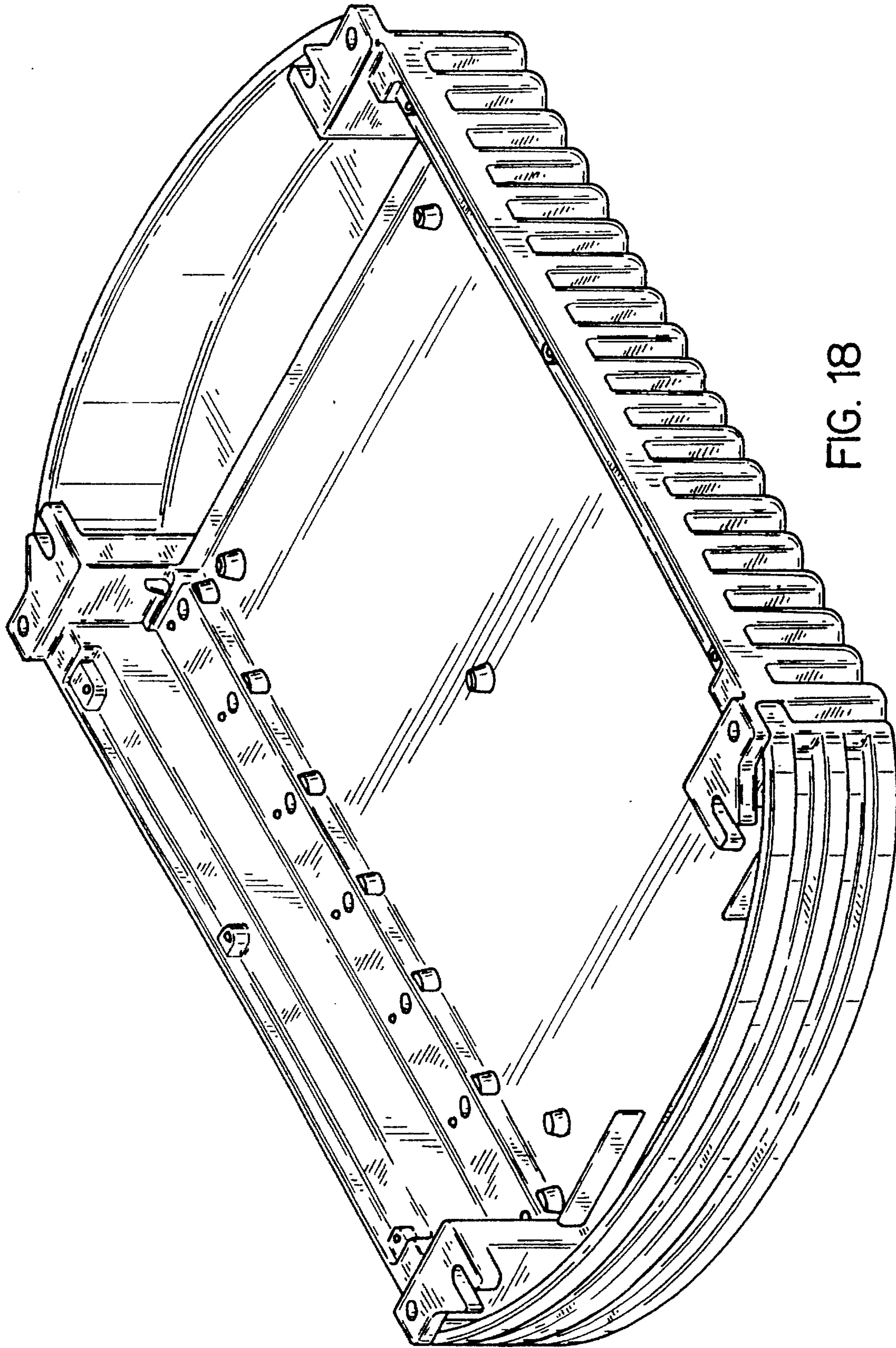


FIG. 18