



US00D368251S

# United States Patent [19]

[11] Patent Number: **Des. 368,251**

Mahajan et al.

[45] Date of Patent: **\*\*Mar. 26, 1996**

[54] **SOLID STATE SURGE PROTECTOR  
MODULE FOR TELEPHONE  
COMMUNICATION LINES**

4,569,000 2/1986 Noji ..... 174/52.1 X  
4,868,535 9/1989 Janniere ..... 337/68  
4,963,844 10/1990 Konishi et al. .... 337/202 X

[75] Inventors: **Paramjeet S. Mahajan**, Deer Park;  
**Timothy J. Roach**, St. James, both of  
N.Y.

*Primary Examiner*—Joel Sincavage  
*Attorney, Agent, or Firm*—Martin Sachs

[73] Assignee: **TII Industries Inc.**, Capiague, N.Y.

[57] **CLAIM**

[\*\*] Term: **14 Years**

The ornamental design for a solid state surge protector module for telephone communication lines, as shown and described.

[21] Appl. No.: **8,099**

**DESCRIPTION**

[22] Filed: **May 10, 1993**

FIG. 1 is an isometric view of a solid state surge protector module for telephone communication lines showing my new design;

[52] U.S. Cl. .... **D13/160**

FIG. 2 is a side elevational view thereof, the opposite side elevational view being a mirror image;

[58] **Field of Search** ..... D13/158, 160,  
D13/182; D14/299; 337/32, 68; 335/202;  
361/111, 117, 118, 119, 124, 129; 257/177;  
174/52.1, 52.2; 333/202

FIG. 3 is a front elevational view thereof;

[56] **References Cited**

**U.S. PATENT DOCUMENTS**

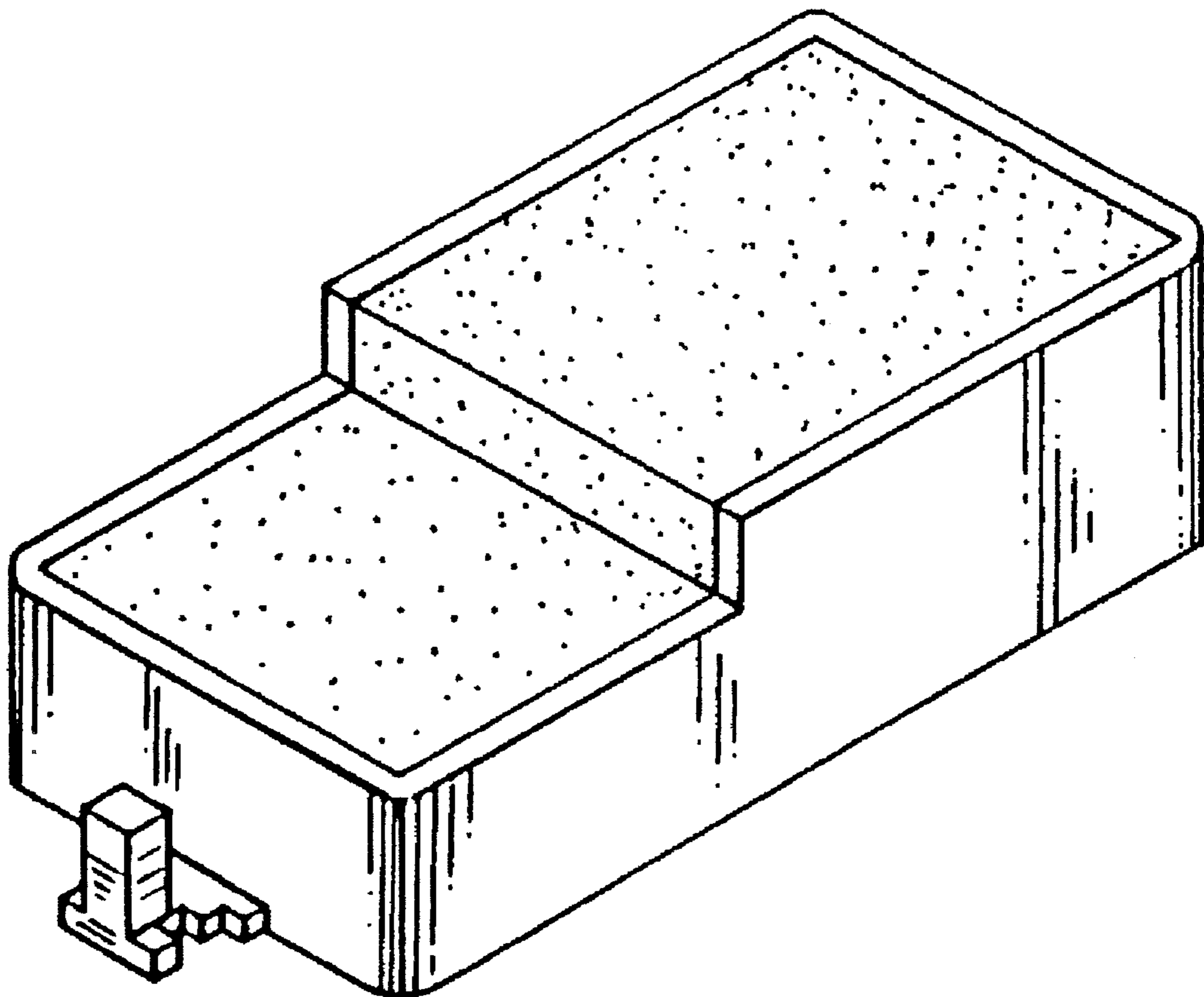
- D. 253,341 11/1979 Barta, Jr. .... D13/160
- D. 265,824 8/1982 Foggia et al. .... D14/115 X
- D. 286,773 11/1986 Pauser ..... D14/299
- D. 288,801 3/1987 Marshall ..... D13/160

FIG. 4 is an isometric view of a solid state surge protector module for telephone communication lines, viewed from the rear;

FIG. 5 is a top view of the device shown in FIGS. 1 and 4; and,

FIG. 6 is a bottom view of the device shown in FIGS. 1 and 4.

**1 Claim, 2 Drawing Sheets**



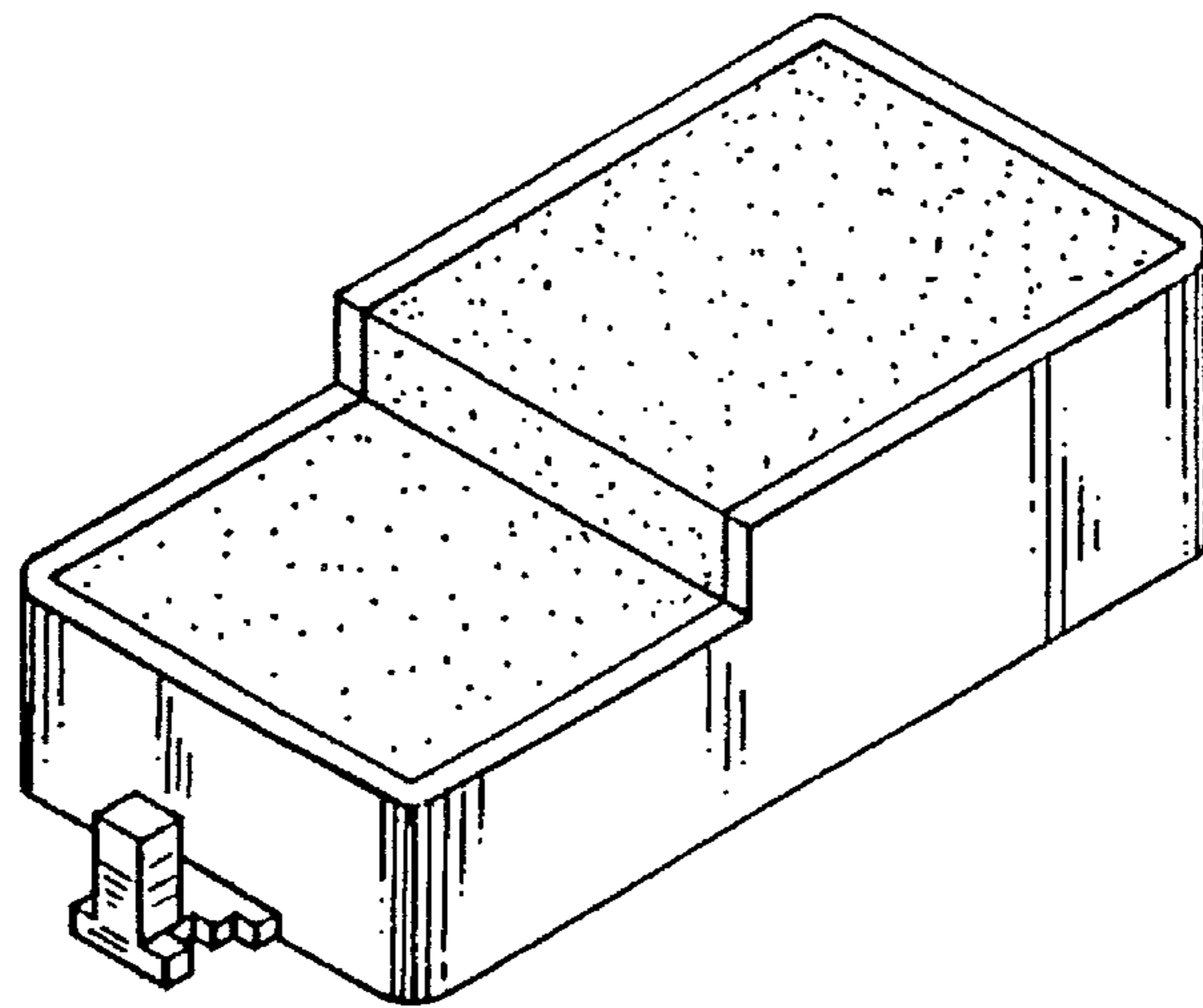


FIGURE 1

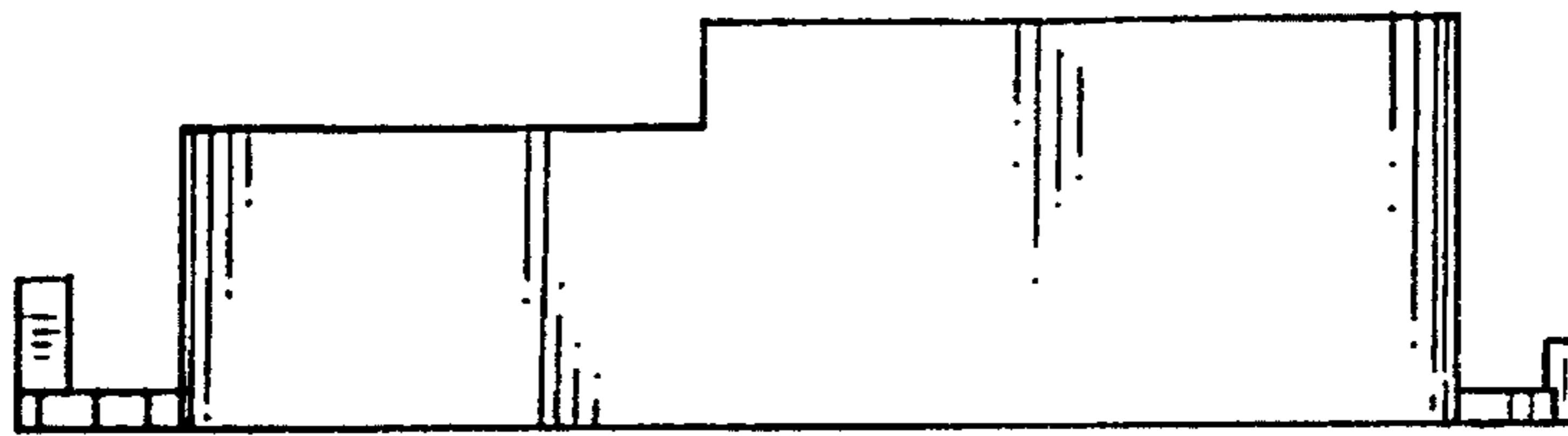


FIGURE 2

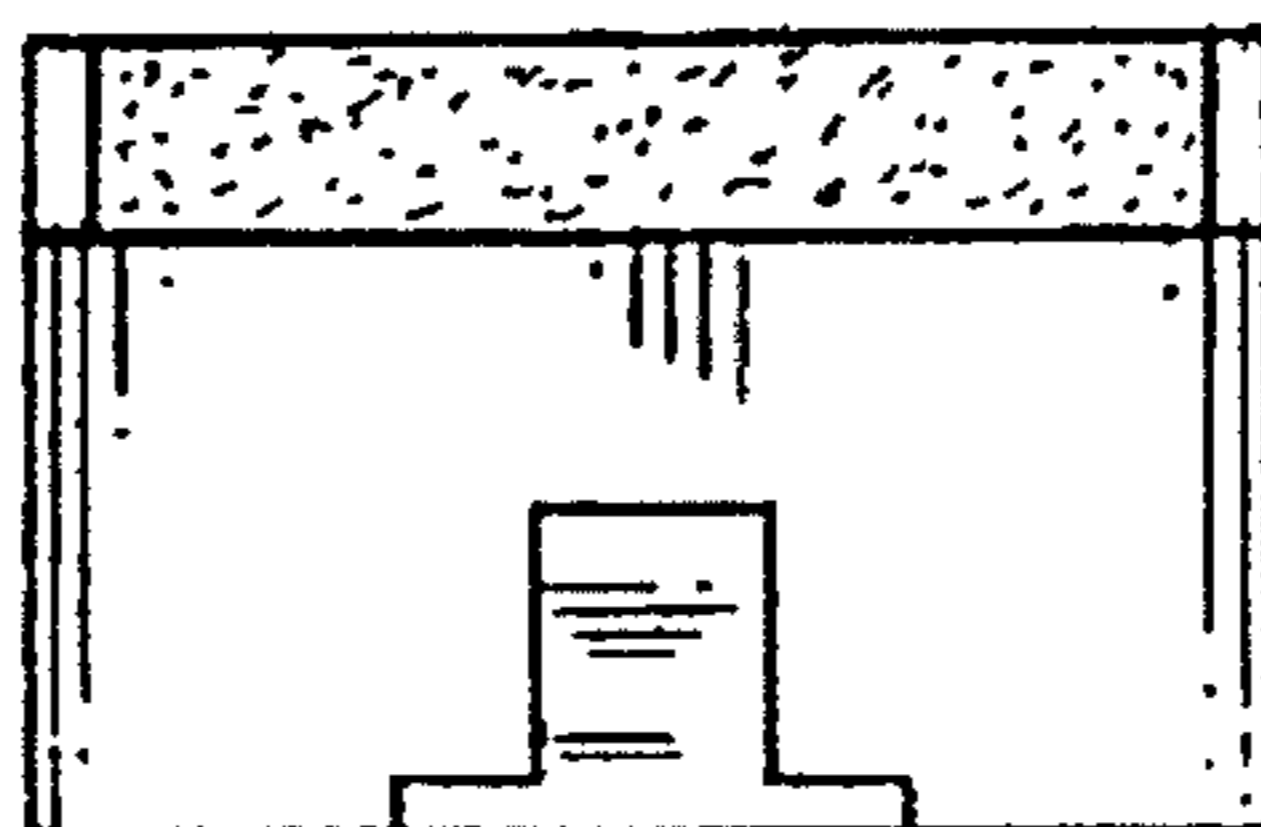


FIGURE 3

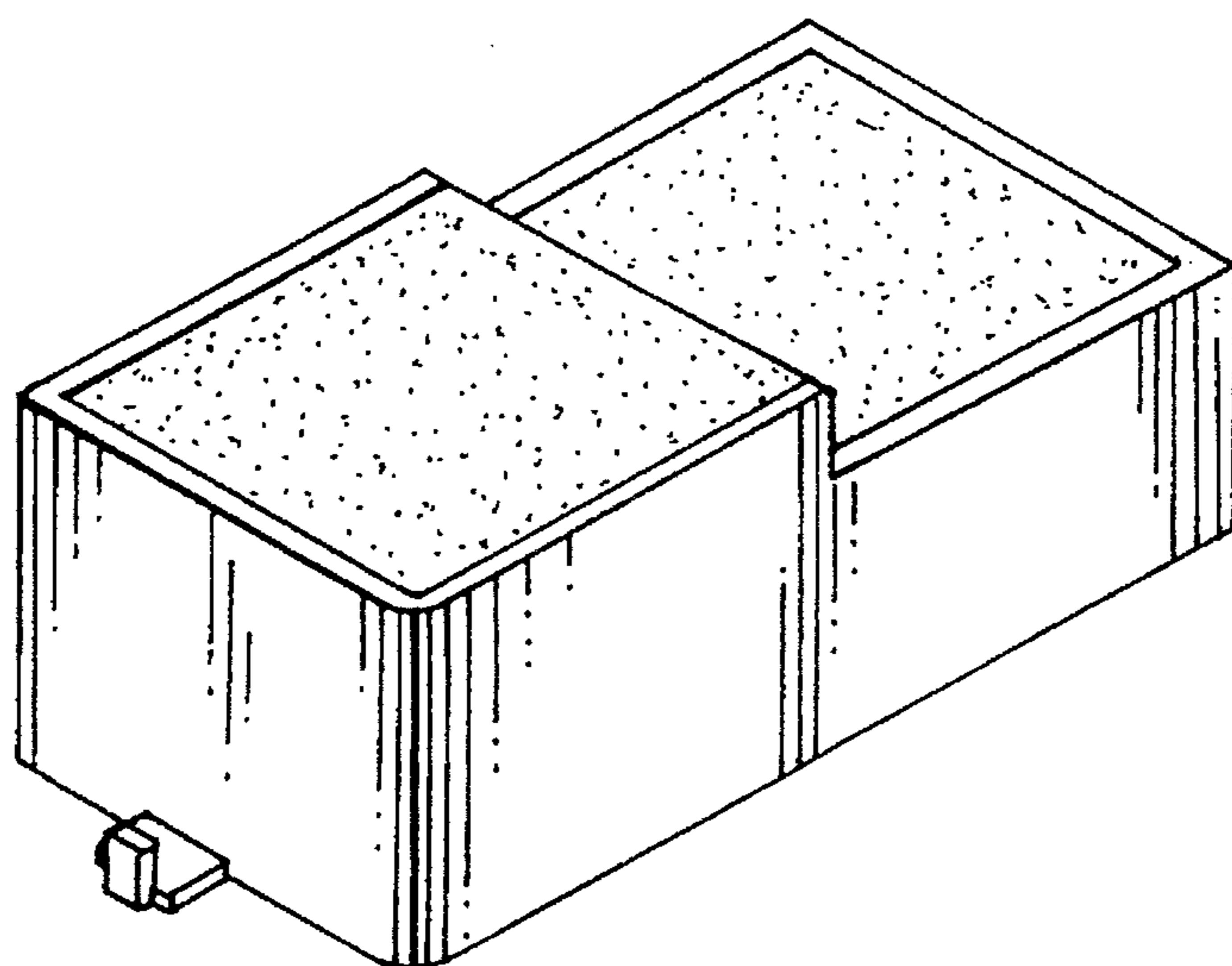


FIGURE 4

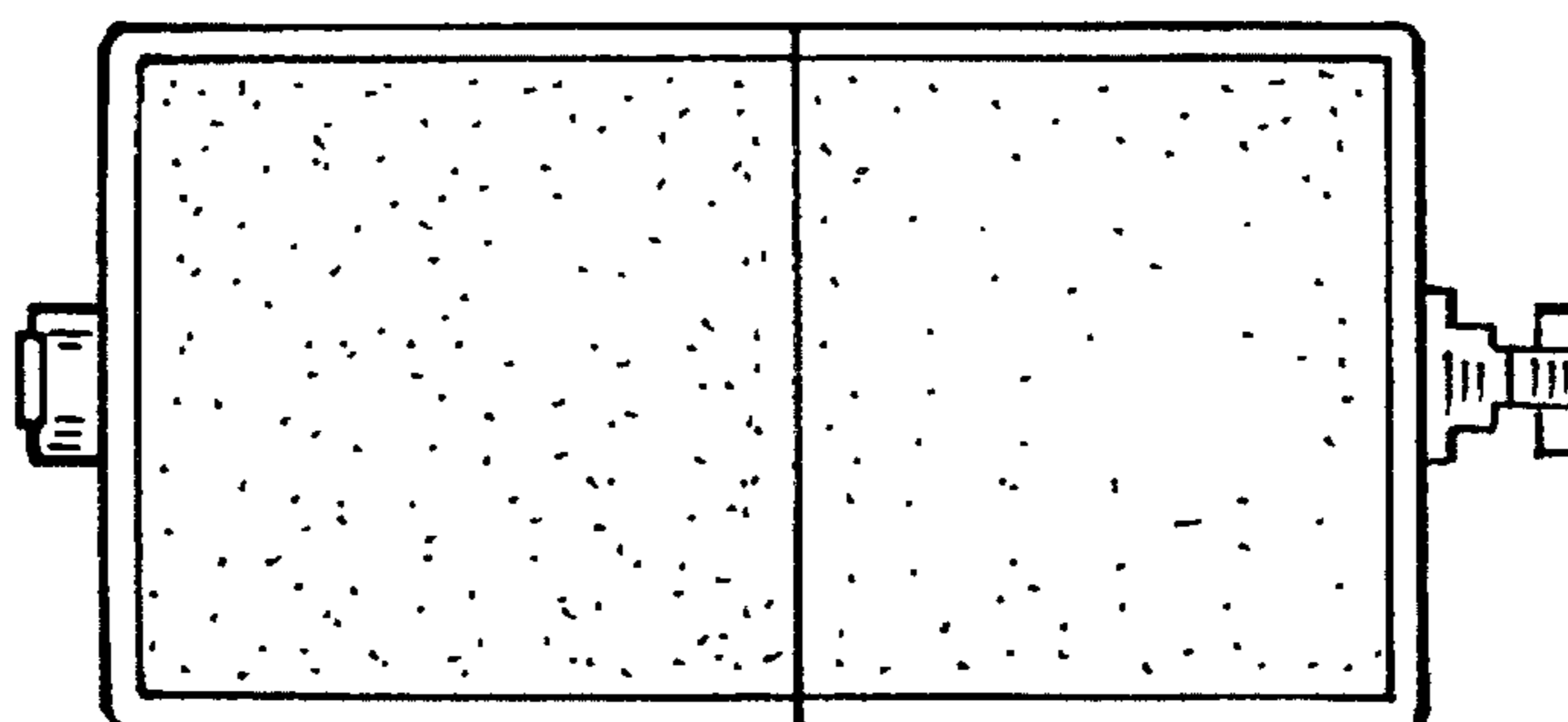


FIGURE 5

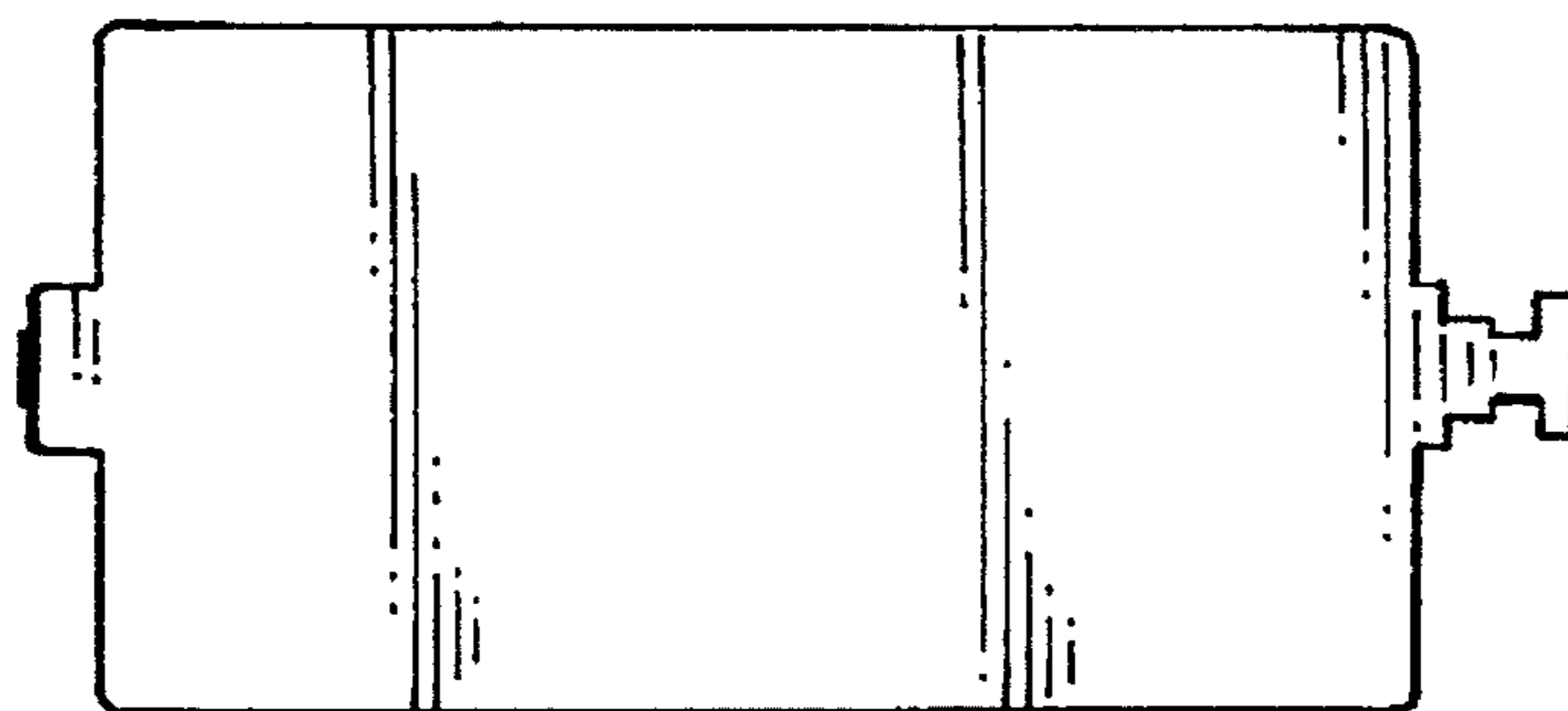


FIGURE 6