



US00D368250S

United States Patent [19] Castaldo

[11] Patent Number: **Des. 368,250**

[45] Date of Patent: ****Mar. 26, 1996**

[54] **BOOT FOR AN ELECTRICAL PLUG AND RECEPTACLE**

[75] Inventor: **Cosmo Castaldo**, Westbury, N.Y.

[73] Assignee: **Leviton Manufacturing Co., Inc.**, Little Neck, N.Y.

[**] Term: **14 Years**

[21] Appl. No.: **17,711**

[22] Filed: **Jan. 19, 1994**

[52] U.S. Cl. **D13/156**

[58] Field of Search D13/133, 139, D13/146, 147, 156; 439/296, 310, 345, 347, 367, 369, 370, 519, 521, 527, 528, 533, 599

[56] **References Cited**

U.S. PATENT DOCUMENTS

D. 244,463	5/1977	Judd	D13/156
2,987,691	6/1961	Ross	439/310 X
4,003,622	1/1977	Garland, Jr.	439/347 X
4,533,194	8/1985	Boichut et al.	439/347
4,940,424	7/1990	Odbert	439/367 X

OTHER PUBLICATIONS

Ericson Perma-Link plug cap and connector body on p. D-5 of *Ericson Electrical Specialties* catalog ©1989.

Bryant protective boots on p. I-2 of *Bryant Wiring Devices* catalog, Jun. 1987.

Primary Examiner—Joel Sincavage
Attorney, Agent, or Firm—Paul J. Sutton

[57] **CLAIM**

The ornamental design for a boot for an electrical plug and receptacle, as shown and described.

DESCRIPTION

FIG. 1 is an upper right perspective view of the coupled

receptacle boot portion and plug boot portion showing my new design;

FIG. 2 is a left end elevational view of the coupled boots of FIG. 1;

FIG. 3 is a right end elevational view of the coupled boots of FIG. 1;

FIG. 4 is a side elevational view of the coupled boots of FIG. 1;

FIG. 5 is an upper right perspective view of the receptacle portion of the boot, the plug portion being omitted for clarity of illustration;

FIG. 6 is a left end elevational view showing the interior of the receptacle portion of the boot only, as shown in FIG. 5 with the plug portion of the boot omitted;

FIG. 7 is a side elevational view of the receptacle portion of the boot with the plug portion of the boot omitted as in FIG. 5;

FIG. 8 is a right end elevational view of the receptacle portion of the boot with the receptacle of the boot omitted;

FIG. 9 is an upper left perspective view of the plug portion of the boot, the receptacle portion being omitted for clarity of illustration;

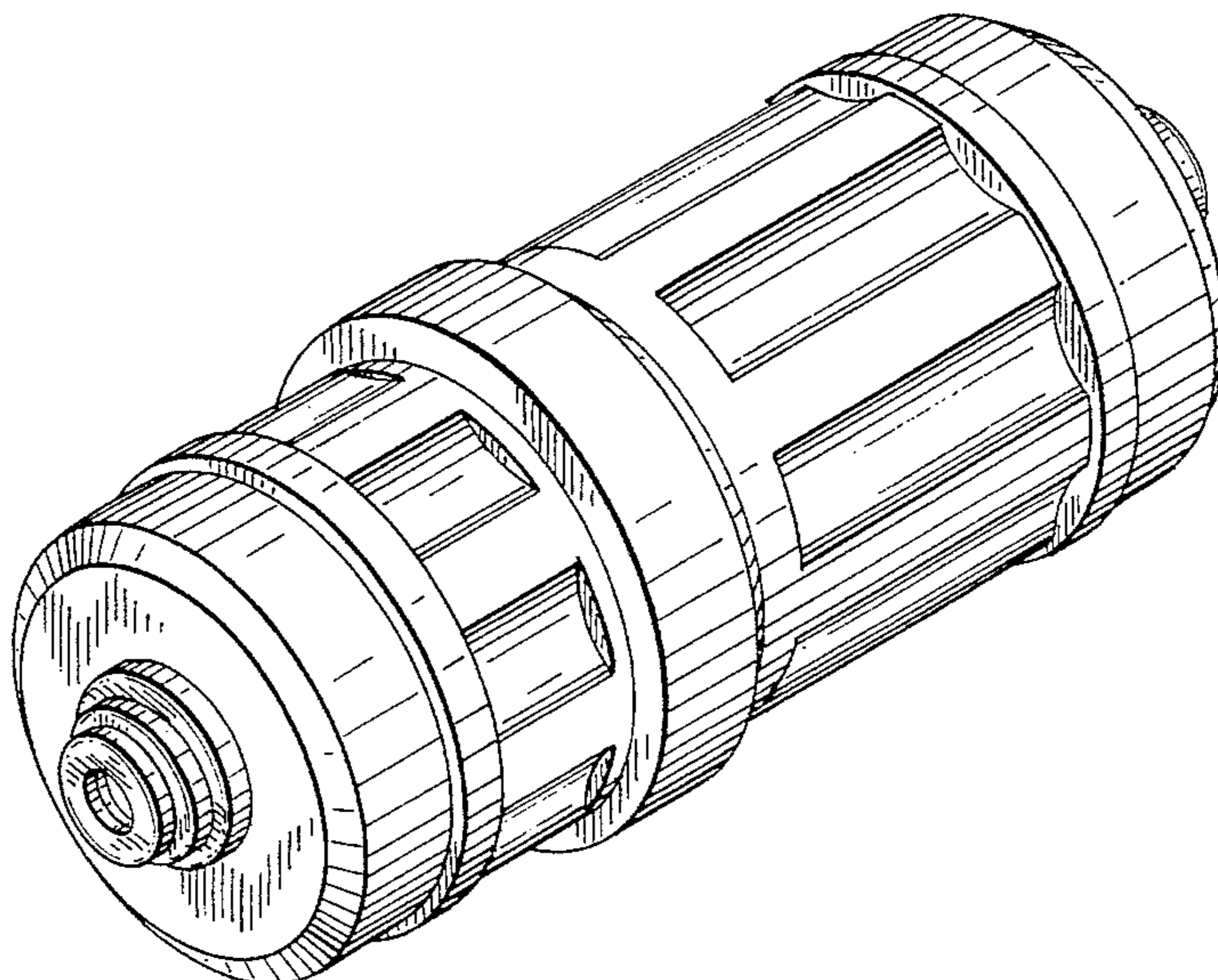
FIG. 10 is a right end elevational view showing the portion of the plug portion of the boot only as shown in FIG. 9;

FIG. 11 is a left end elevational view of the plug portion of the boot; and,

FIG. 12 is a side elevational view of the plug portion of the boot with the receptacle portion of the boot omitted.

The broken line showing in the drawing figures is included for the purpose of illustrating environmental structure only and forms no part of the claimed design.

1 Claim, 6 Drawing Sheets



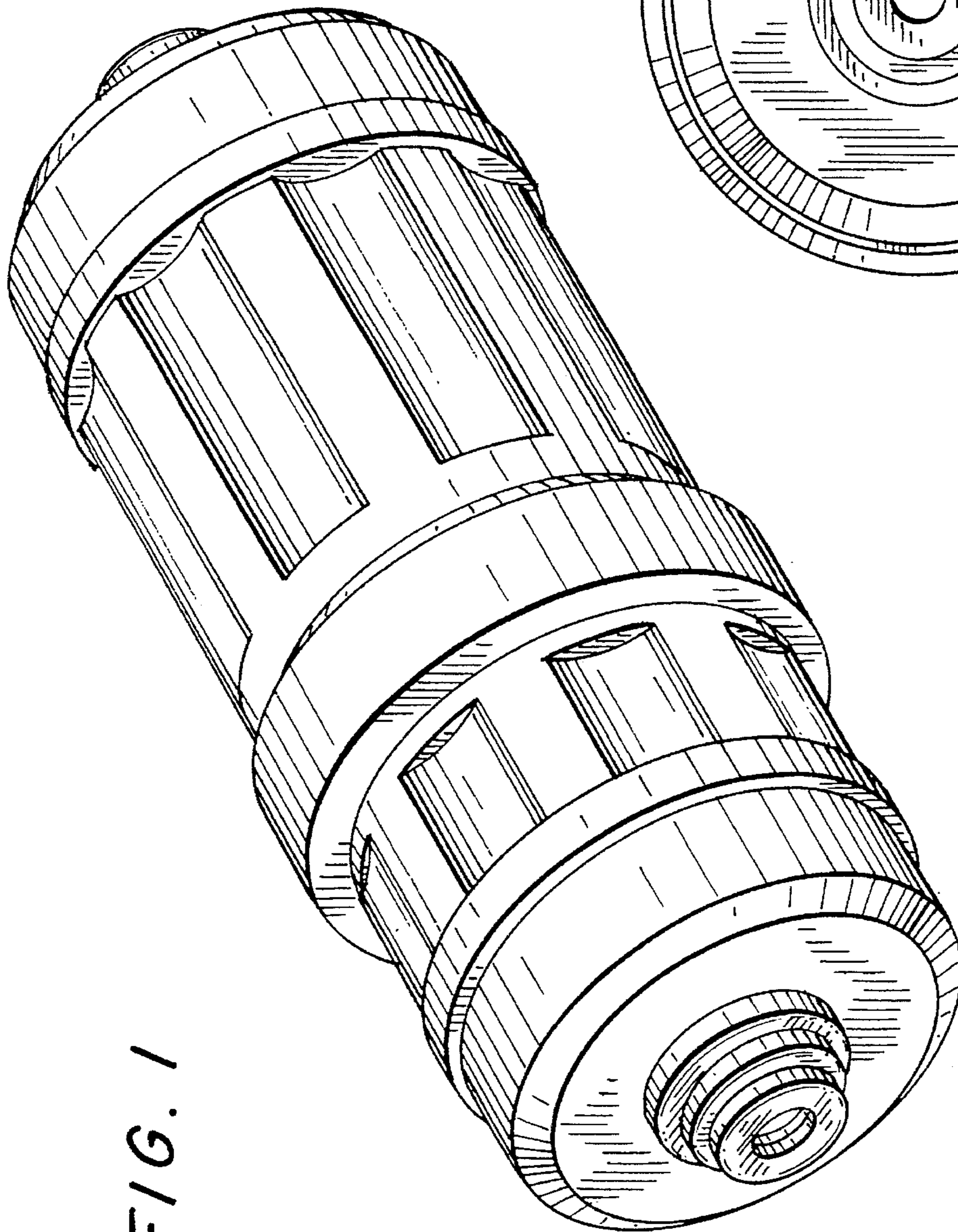


FIG. 1

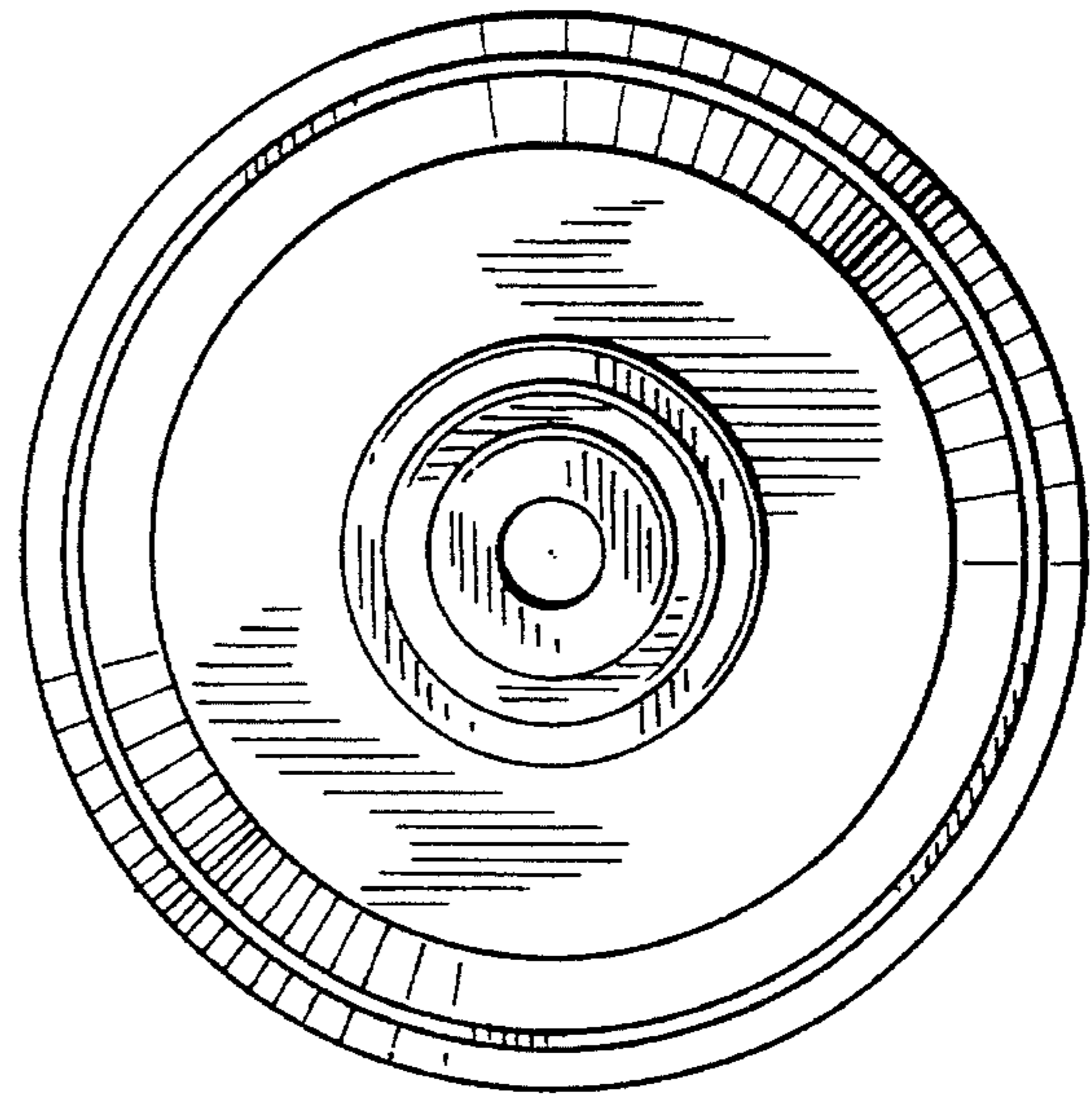


FIG. 2

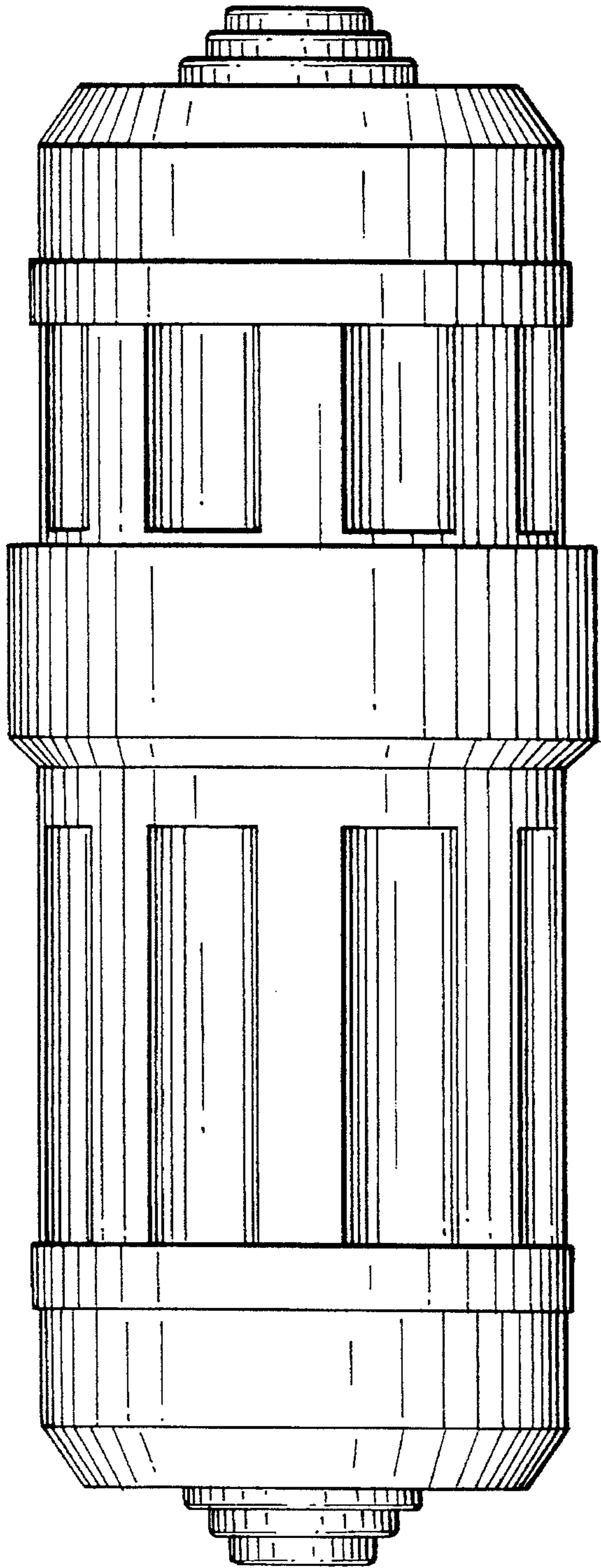


FIG. 4

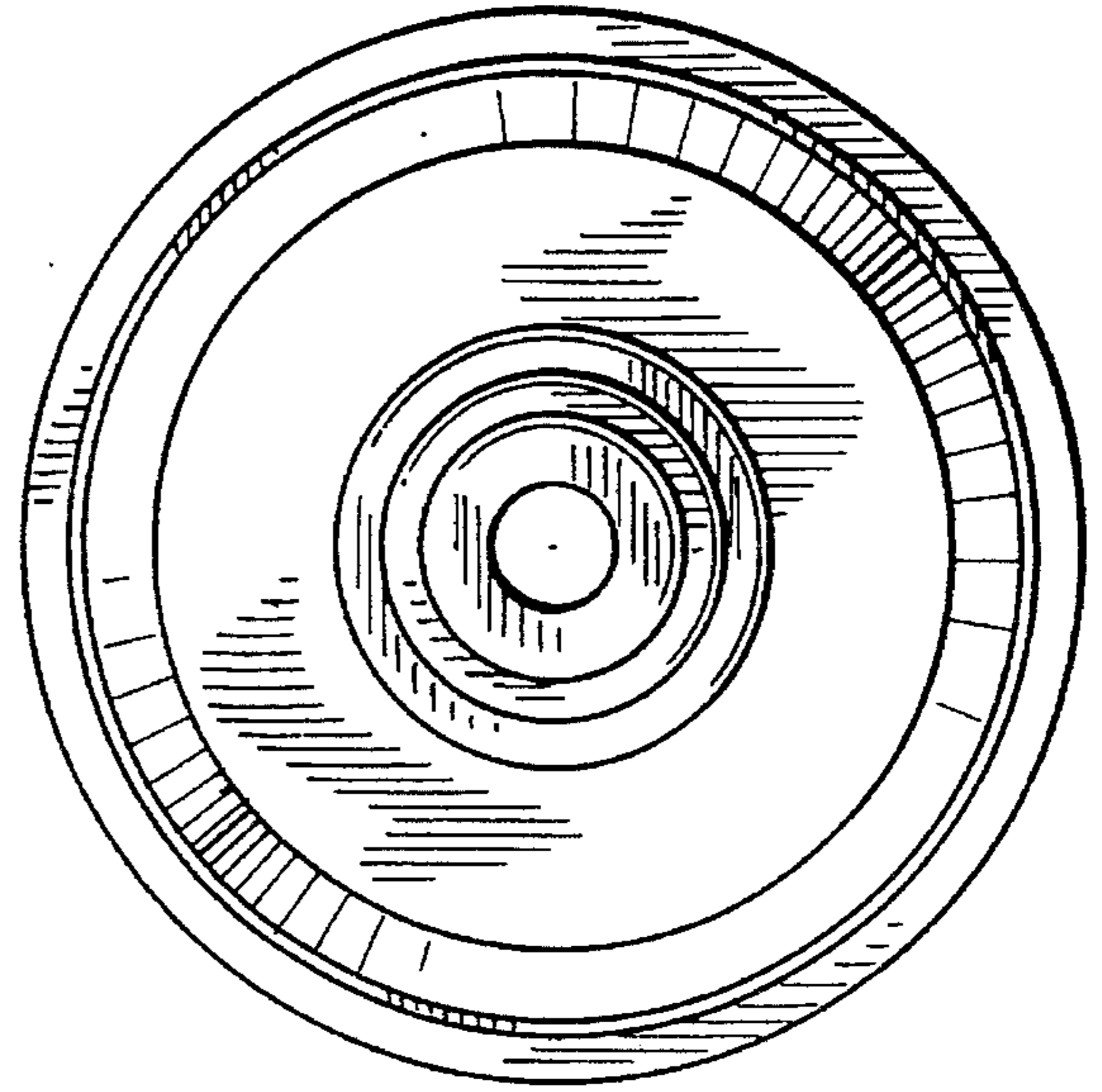


FIG. 3

FIG. 5

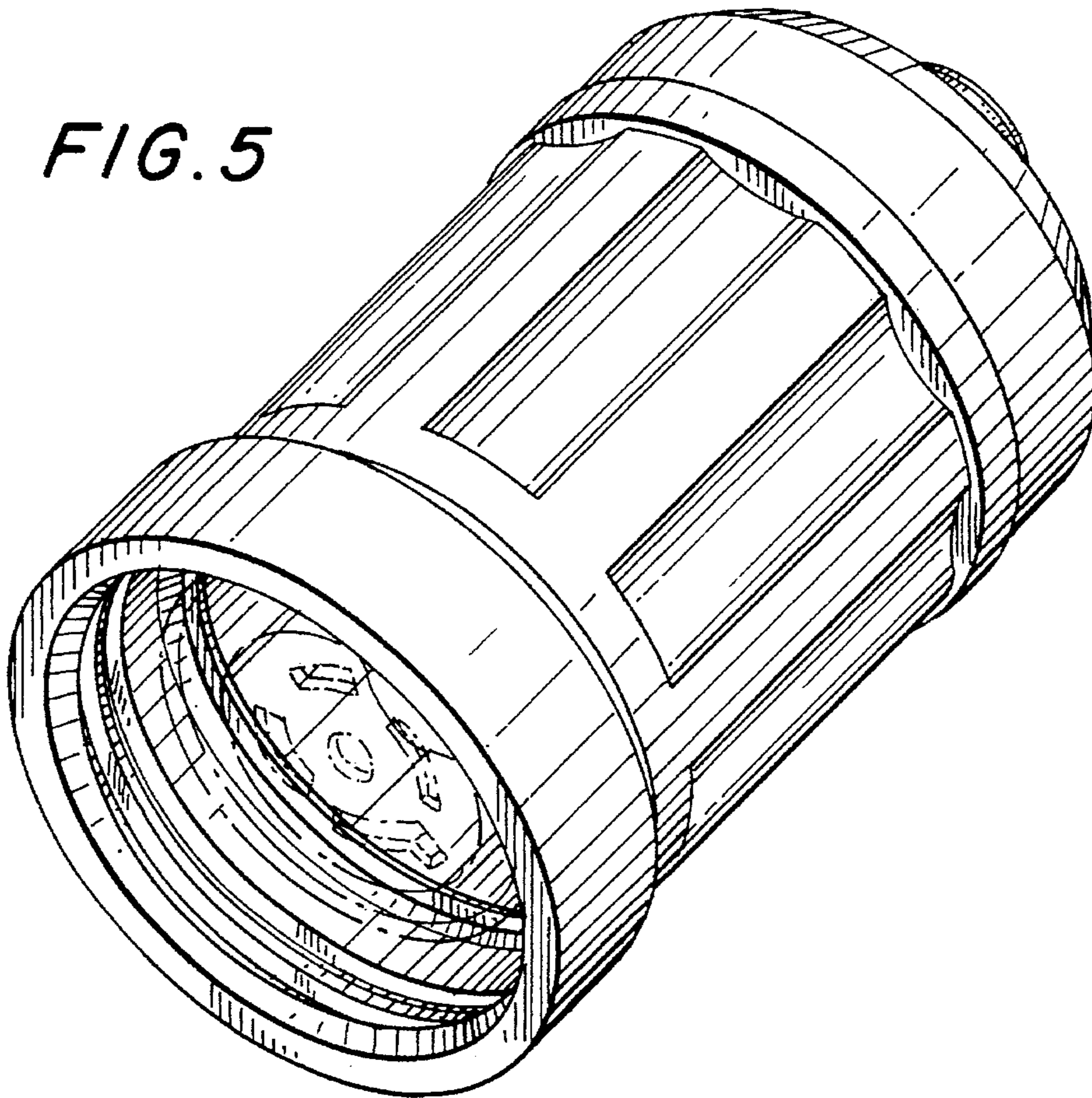
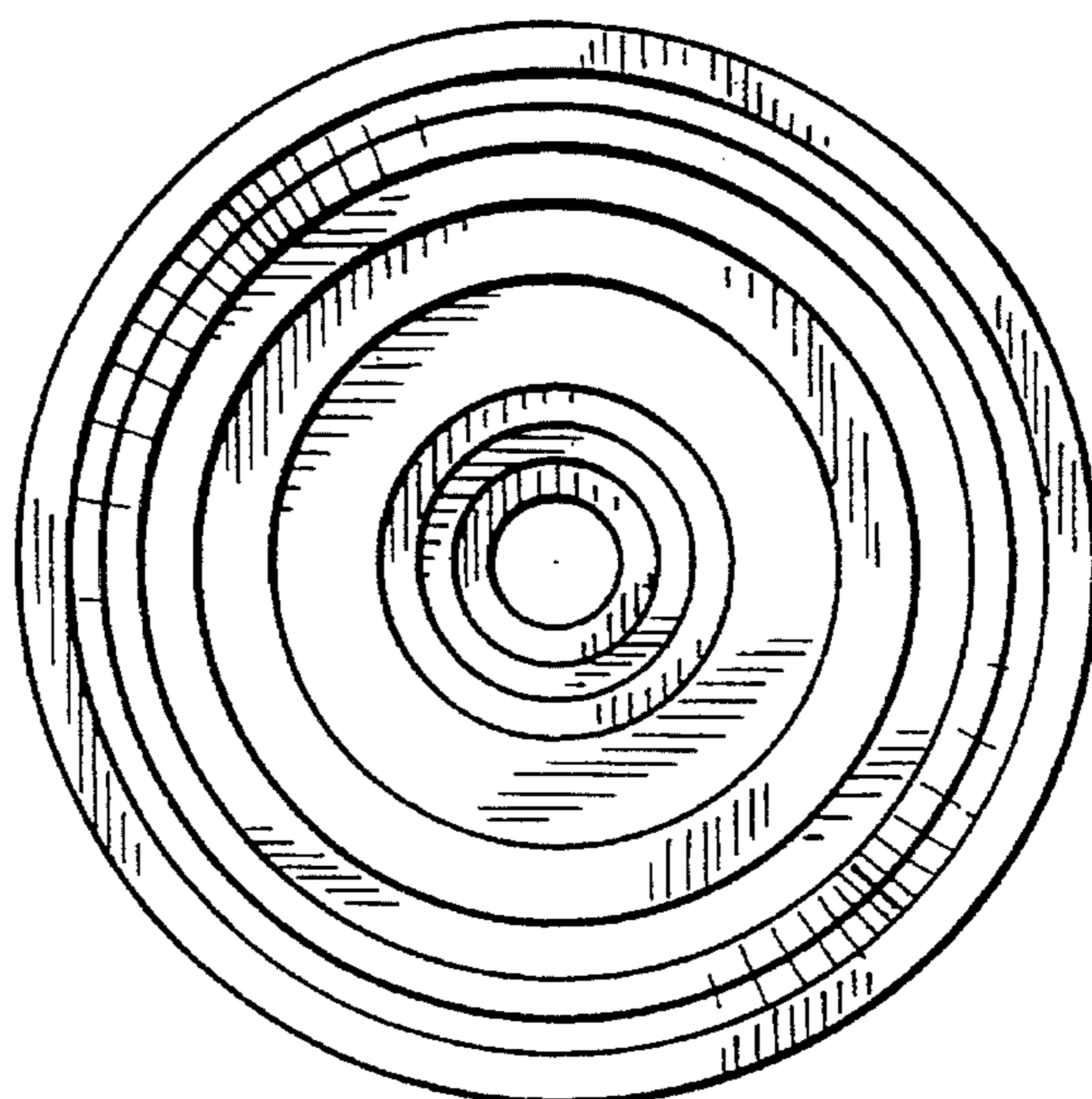


FIG. 6



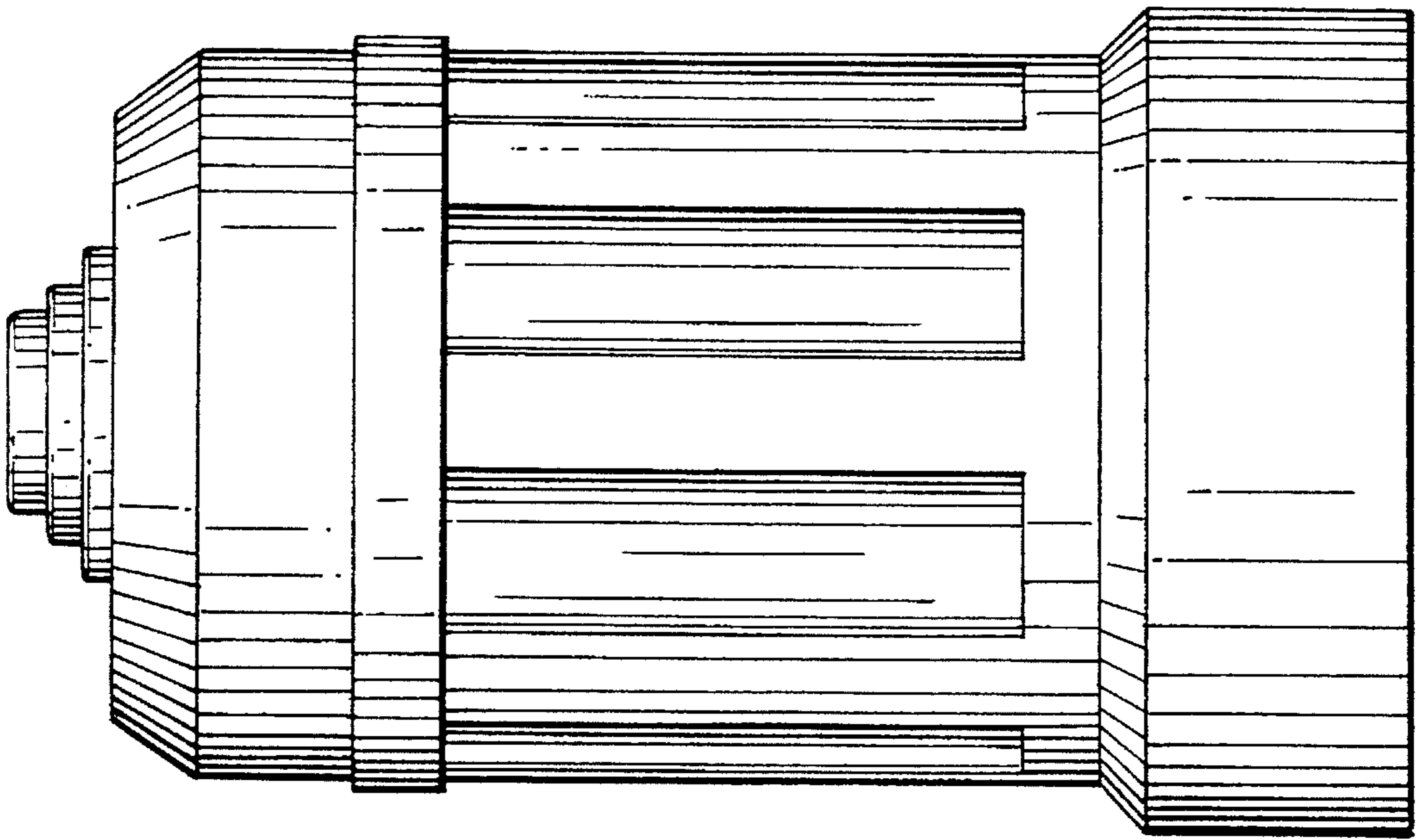


FIG. 7

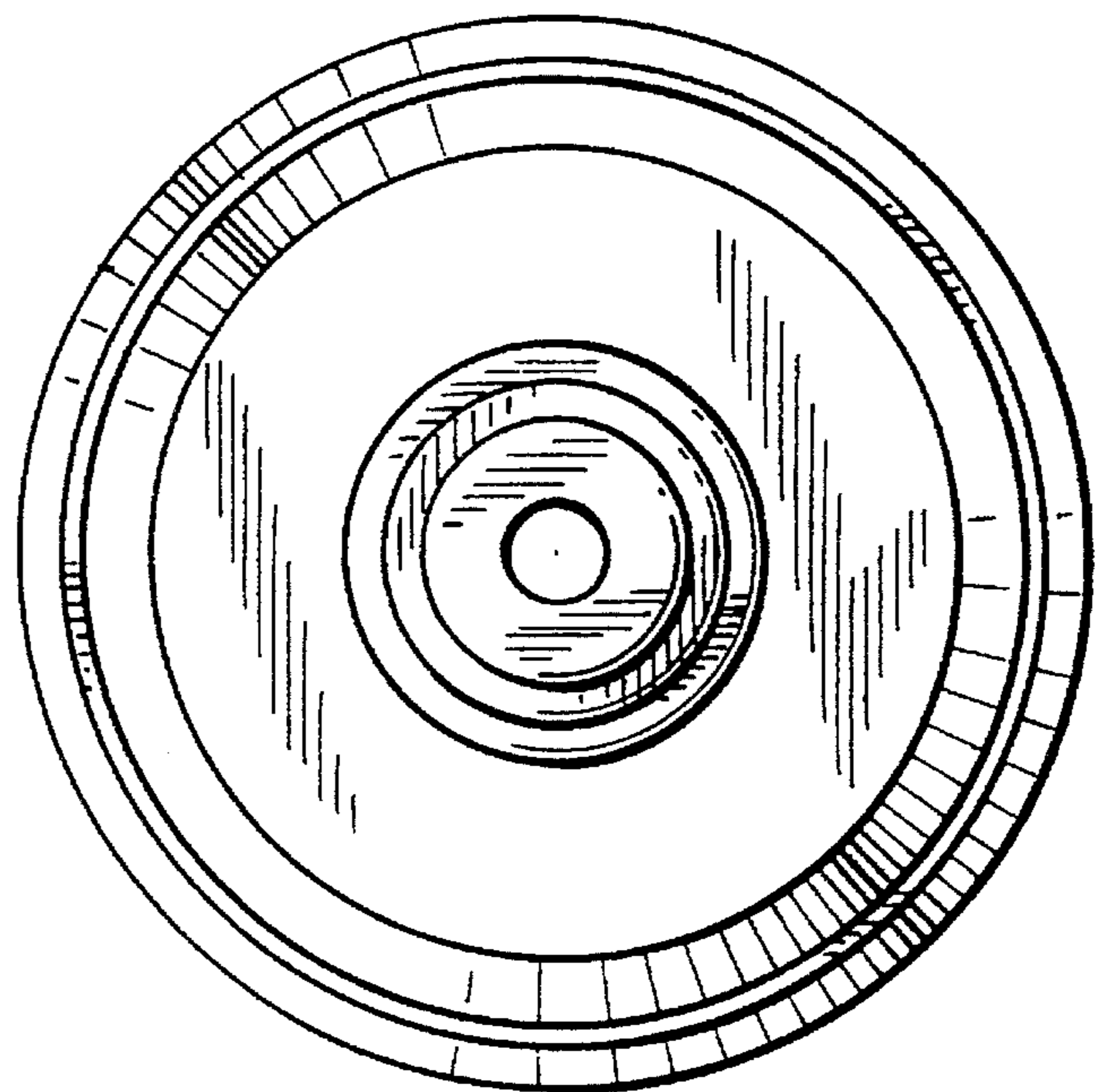


FIG. 8

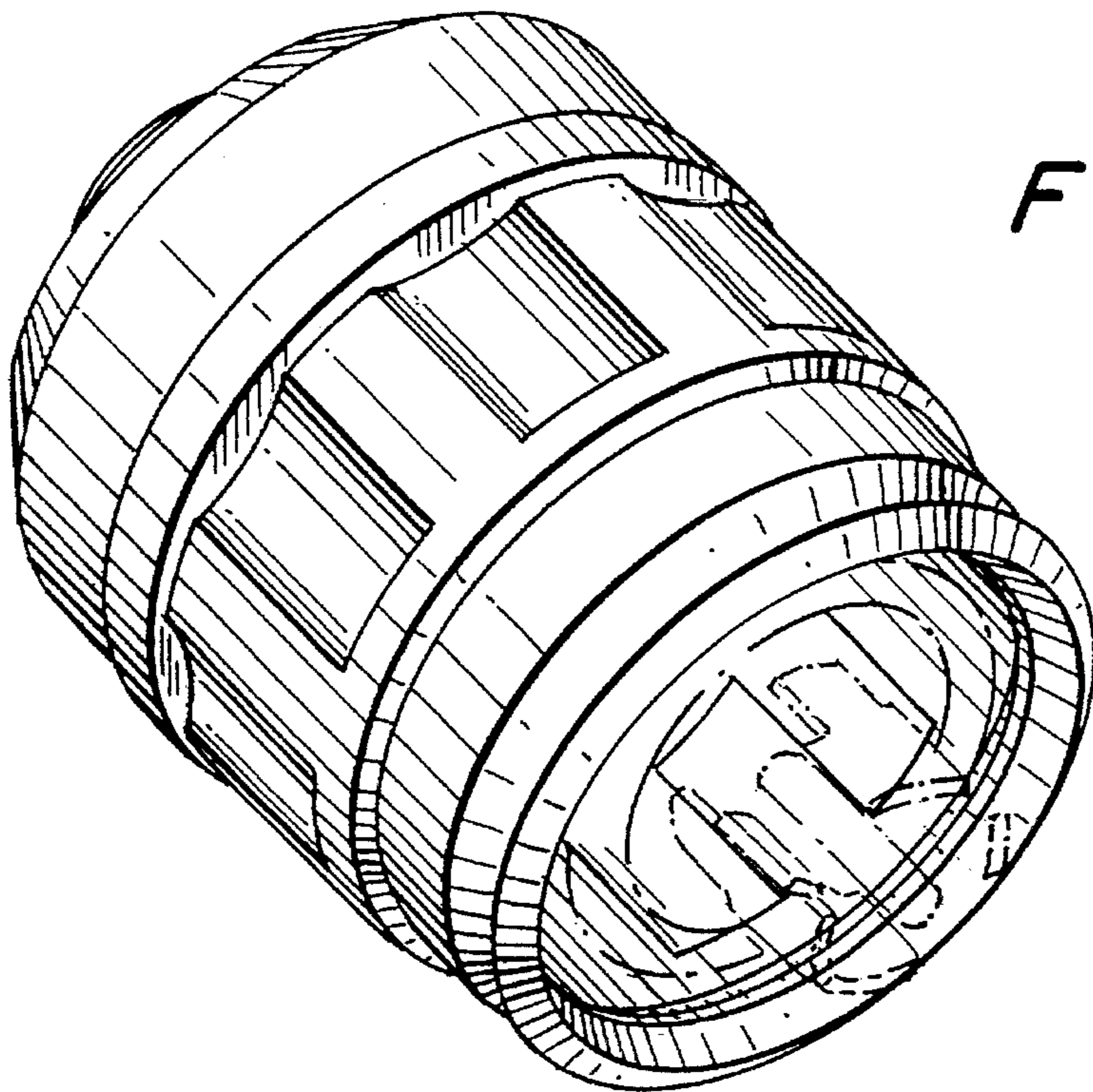


FIG. 9

FIG. 10

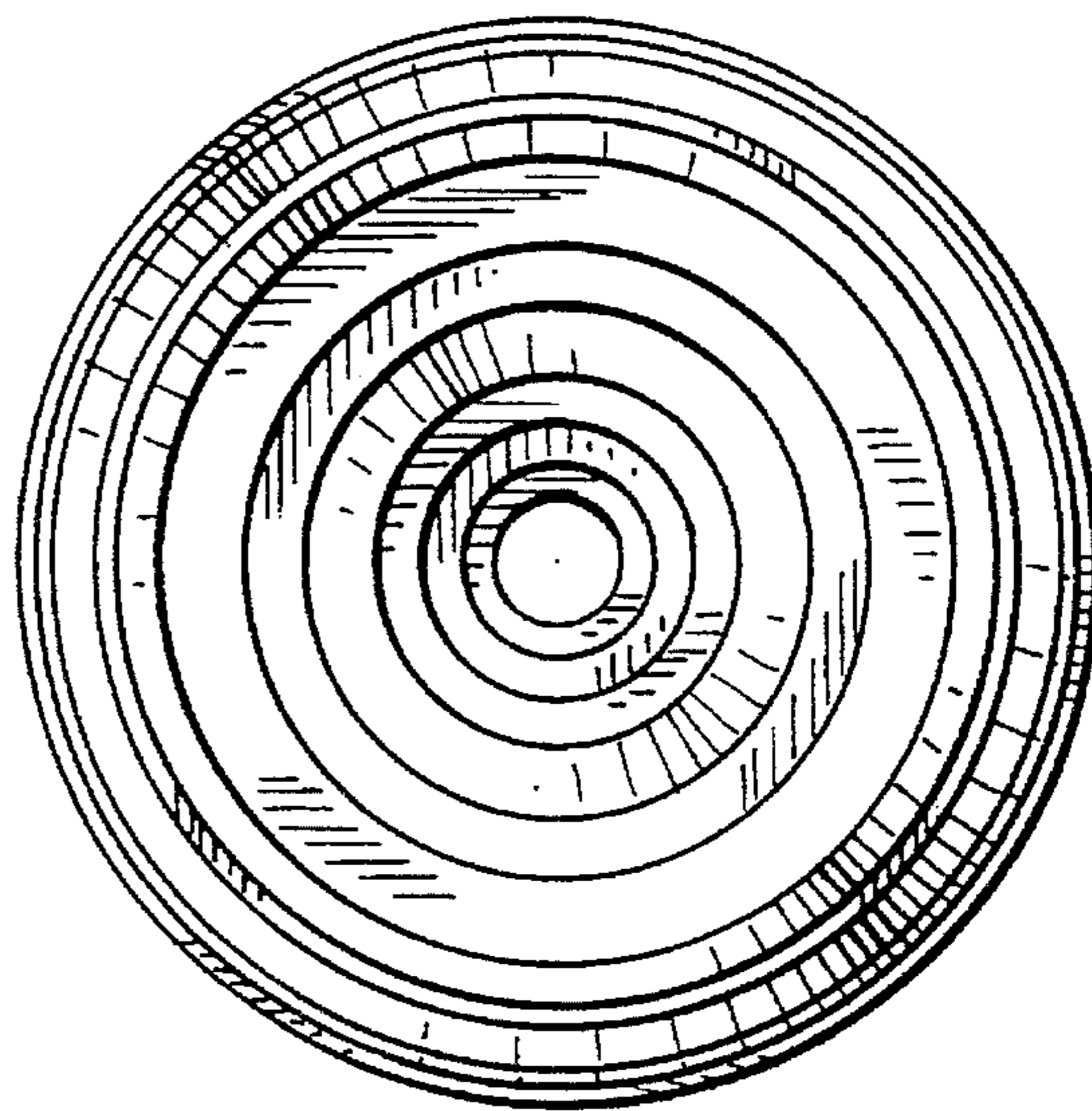


FIG. 12

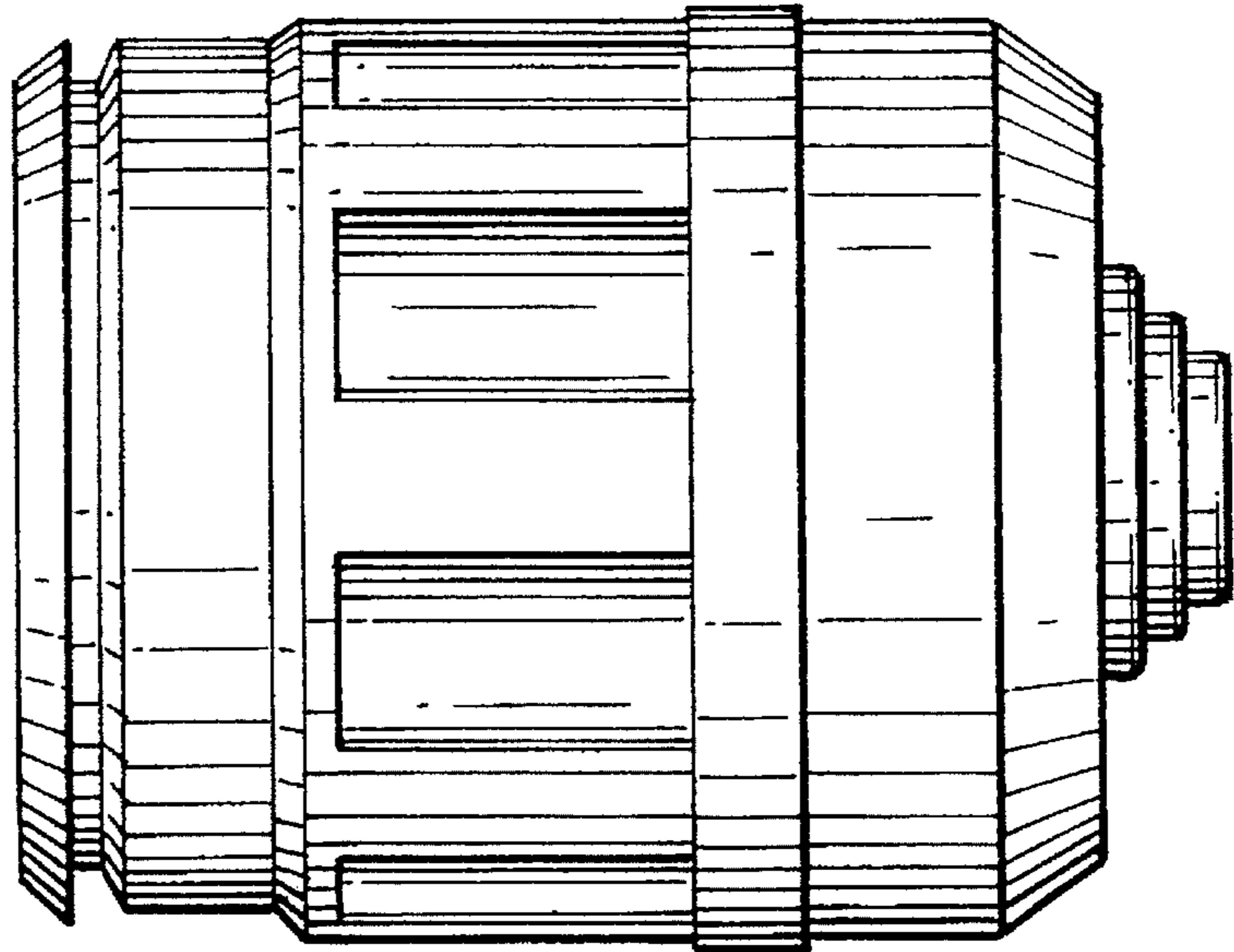


FIG. 11

