



US00D368249S

United States Patent [19]
Ferrer

[11] **Patent Number: Des. 368,249**

[45] **Date of Patent: **Mar. 26, 1996**

[54] **VEHICLE SAFE**

[76] **Inventor: Hugo Ferrer**, 428 Minot Ave., Chula Vista, Calif. 91910-4832

[**] **Term: 14 Years**

[21] **Appl. No.: 9,573**

[22] **Filed: Jun. 18, 1993**

[52] **U.S. Cl. D12/423; D99/28**

[58] **Field of Search D12/423; D99/28, D99/43, 34-36; 224/42.11, 42.42, 273, 275, 327, 329, 37.15, 37.16**

[56] **References Cited**

U.S. PATENT DOCUMENTS

- D. 245,773 9/1977 Davis D12/423
- D. 308,276 5/1990 Applebaum D99/28
- D. 310,304 9/1990 Carmichael D12/423
- D. 325,125 4/1992 Paul D99/28

- 3,443,851 5/1969 Earl D12/423
- 4,783,113 11/1988 Padlo 296/37.16
- 4,938,519 7/1990 Schlachter 224/42.42

Primary Examiner—Wallace R. Burke
Assistant Examiner—Melody N. Brown

[57] **CLAIM**

The ornamental design for a vehicle safe, as shown.

DESCRIPTION

- FIG. 1 is a perspective view of the vehicle safe showing my new design;
- FIG. 2 is a side elevational view thereof;
- FIG. 3 is a top plan view thereof;
- FIG. 4 is a bottom plan view thereof;
- FIG. 5 is a front view thereof; and,
- FIG. 6 is a rear view thereof.

1 Claim, 2 Drawing Sheets

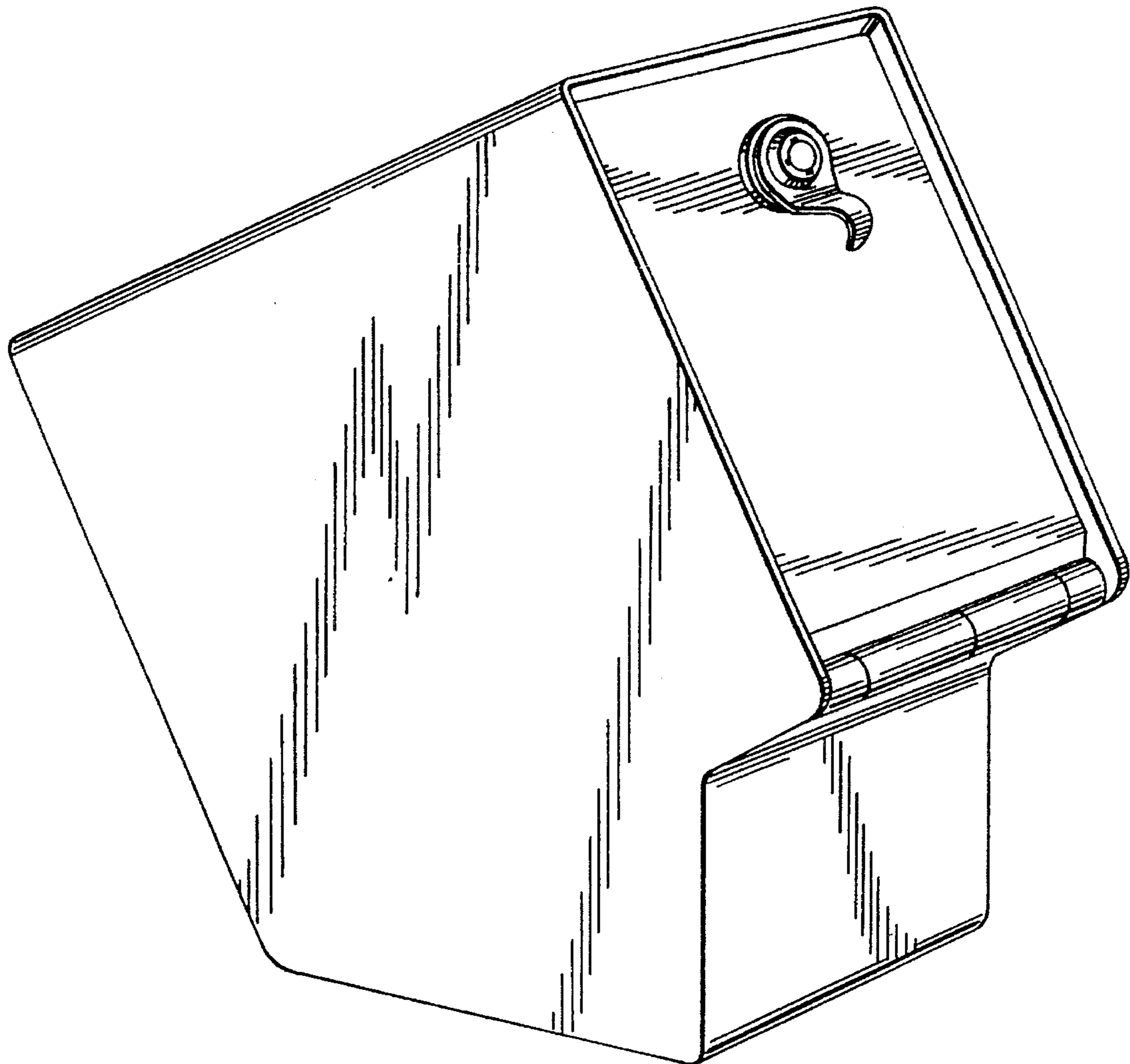


FIG. 1

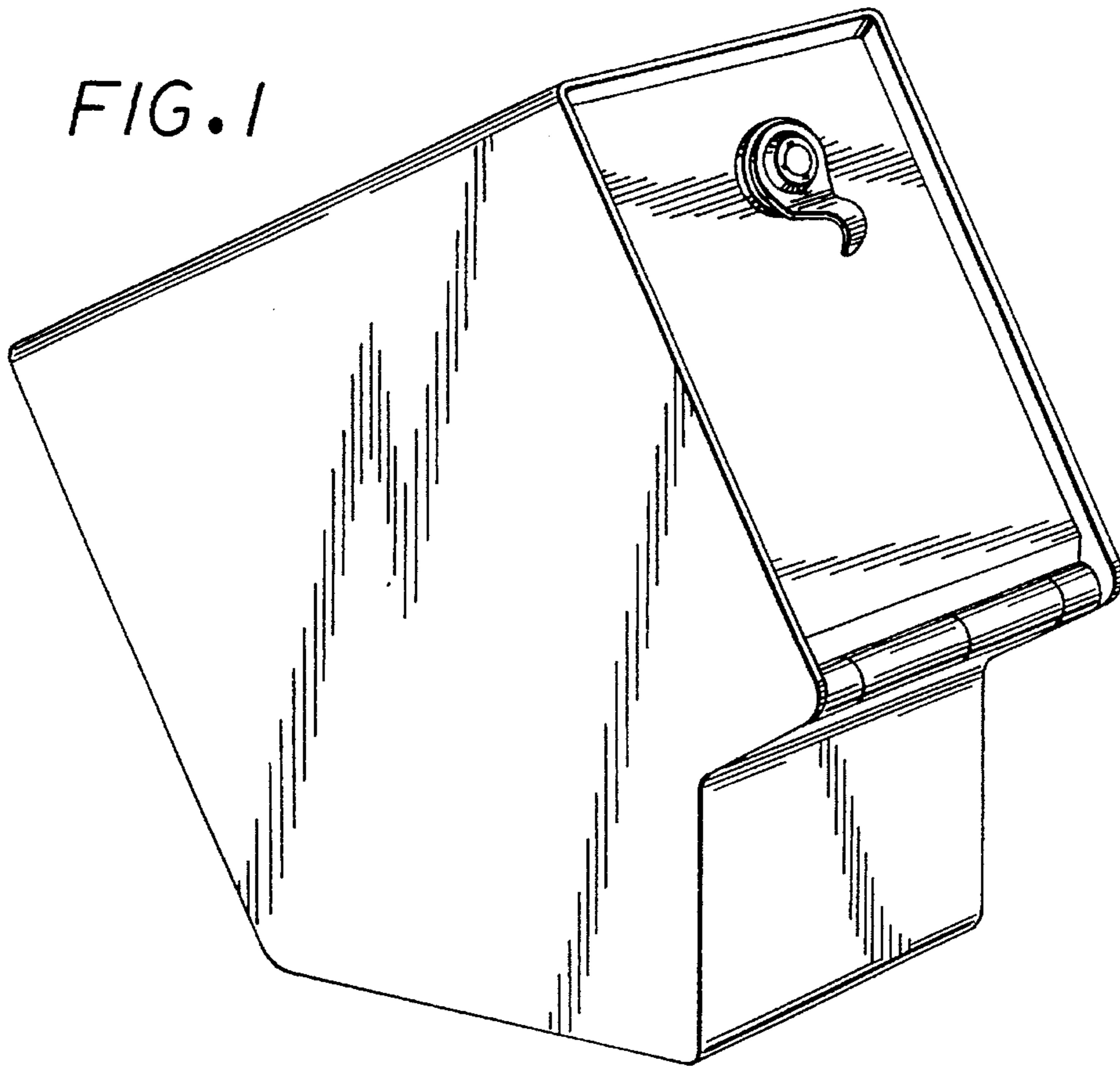


FIG. 2

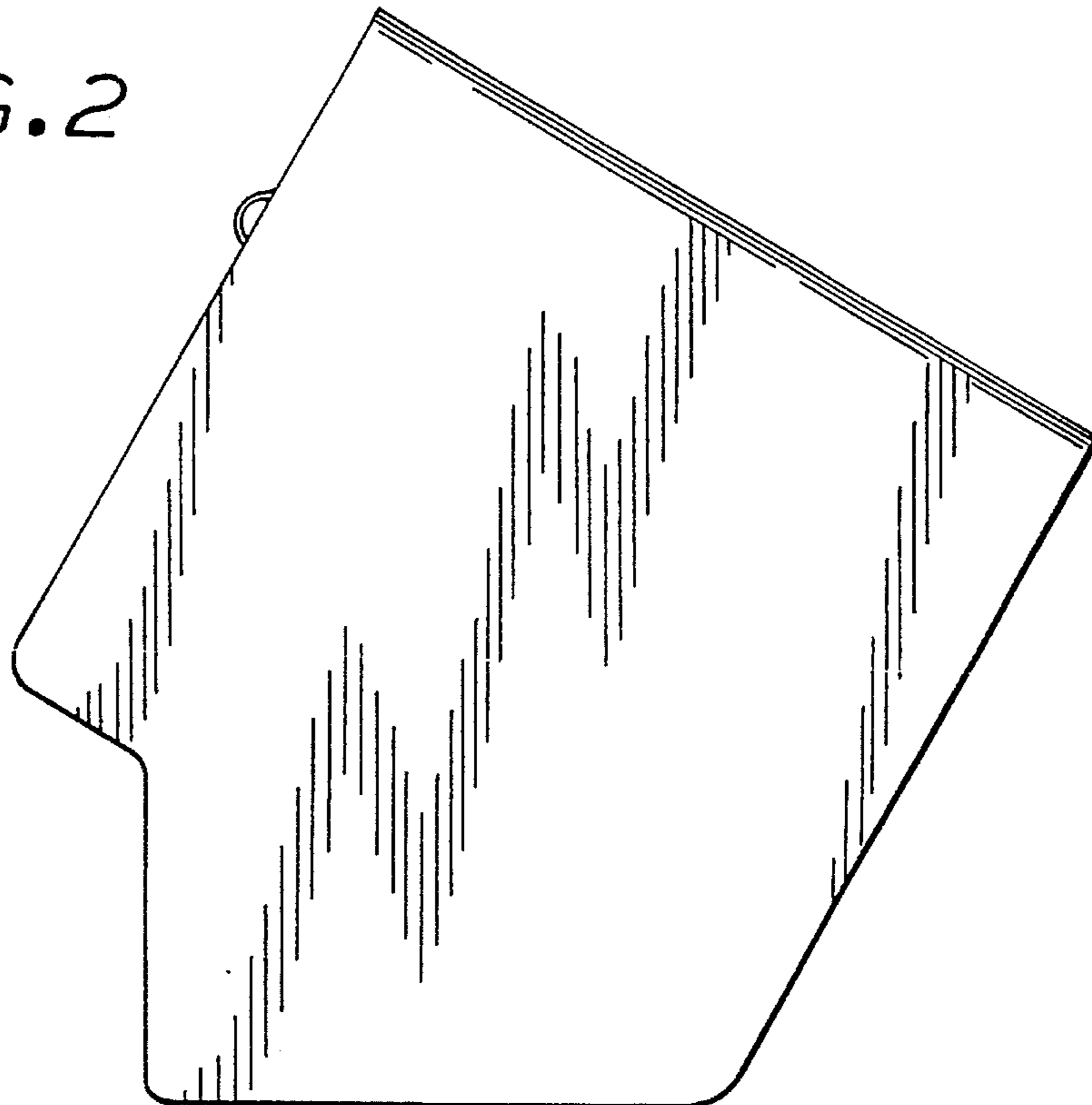


FIG. 3

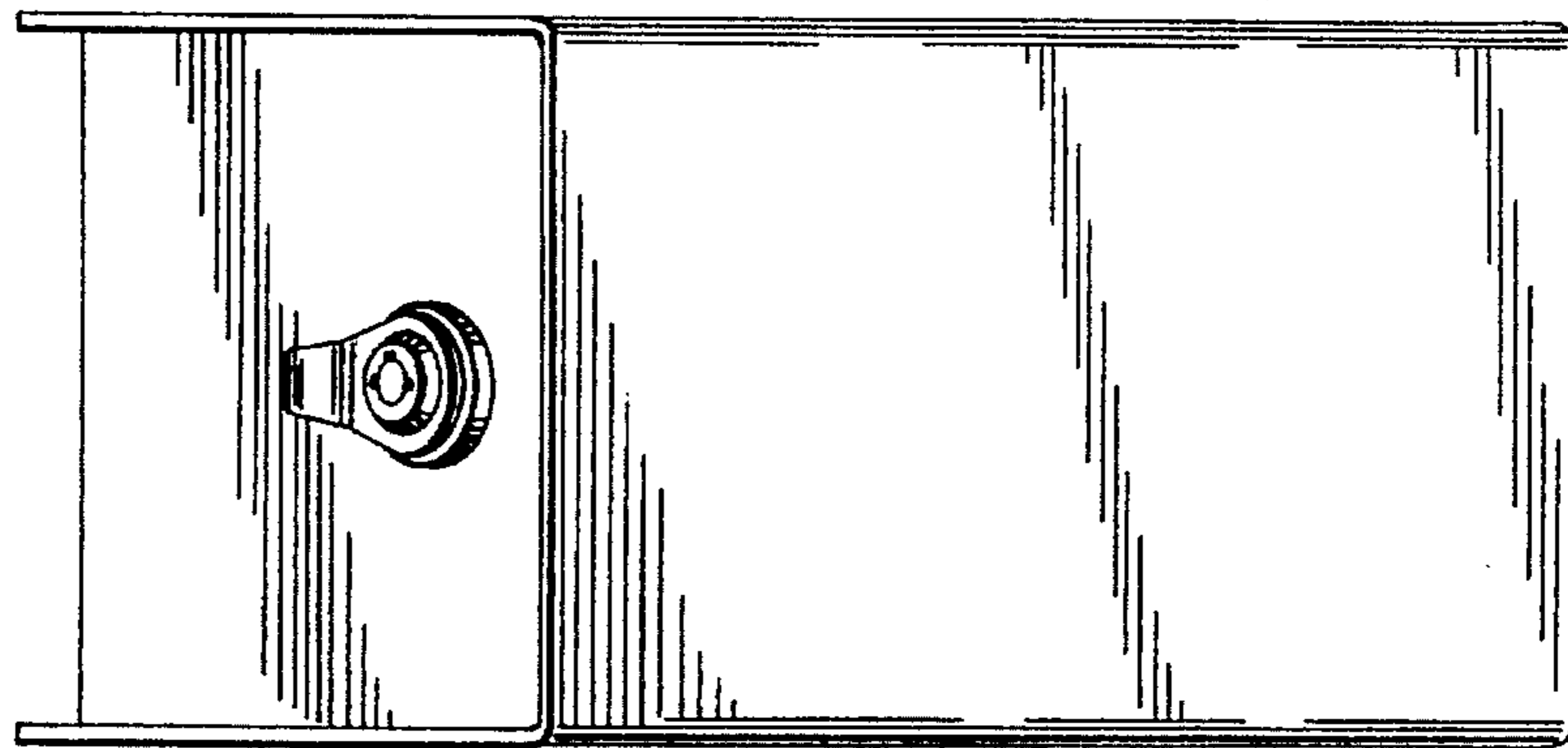


FIG. 4

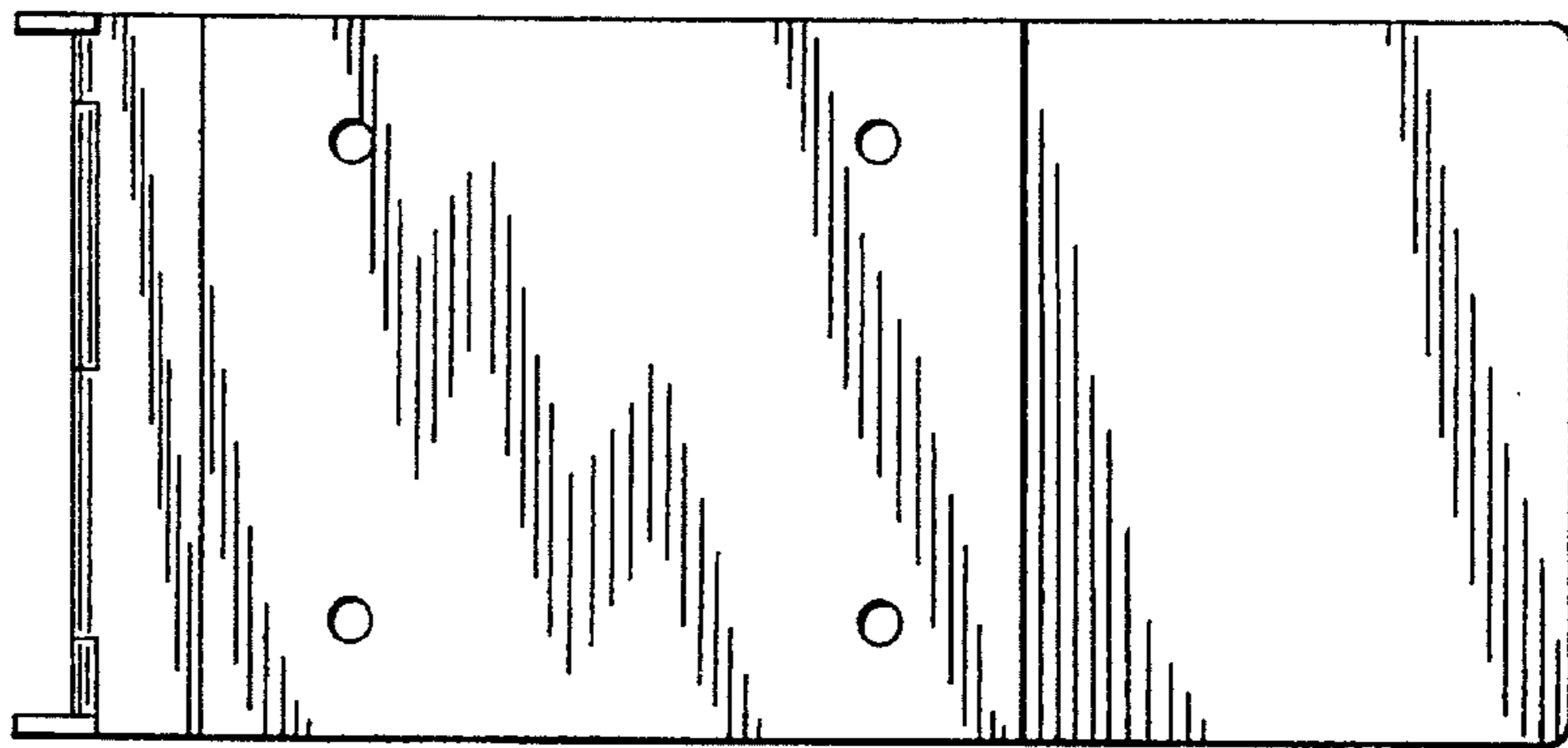


FIG. 5

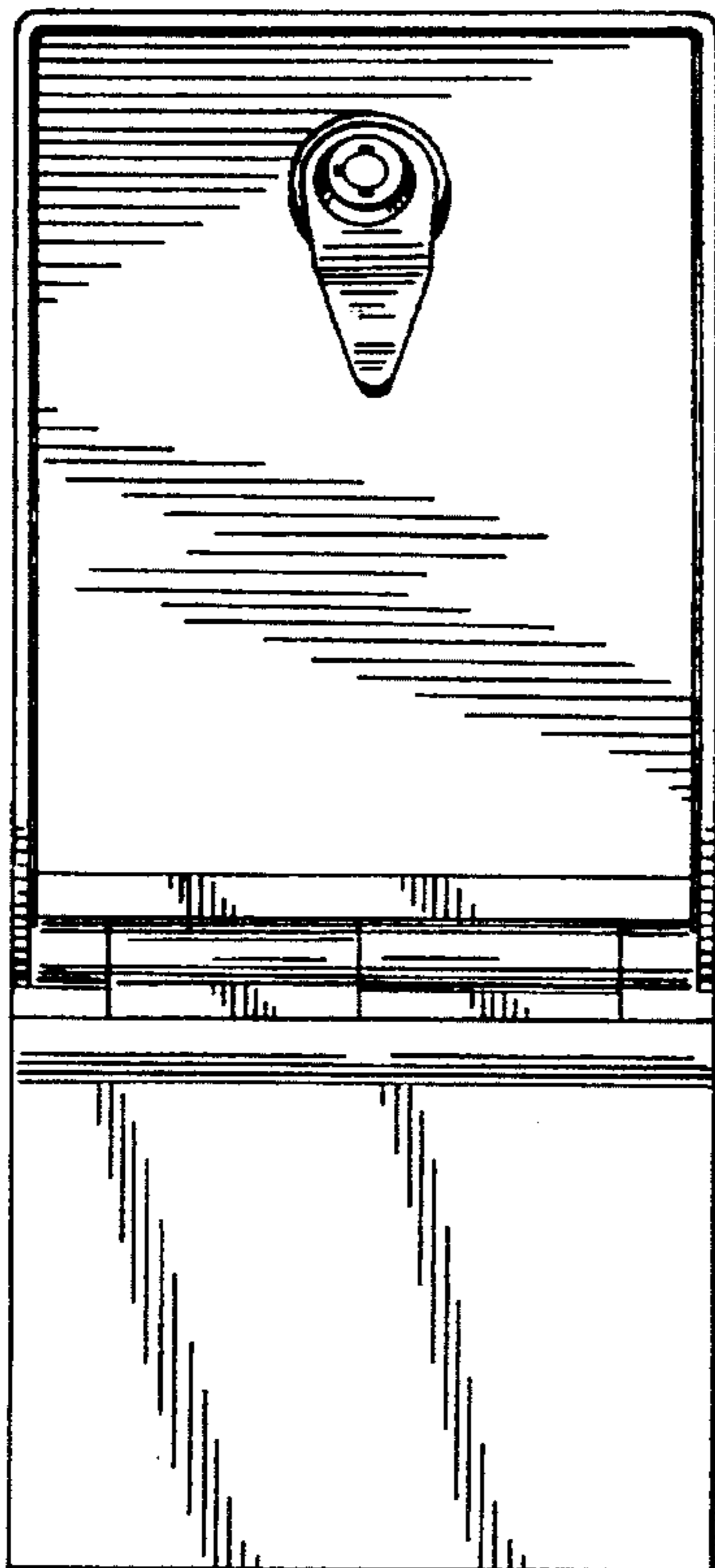


FIG. 6

