



US00D368248S

United States Patent [19] Bryant

[11] Patent Number: **Des. 368,248**

[45] Date of Patent: ****Mar. 26, 1996**

[54] **PROTECTIVE CAMOUFLAGE PANEL SET FOR VEHICLES**

4,643,471 2/1987 Fishback 293/128
4,750,767 6/1988 Barnett 293/128

[76] Inventor: **Ricky Bryant**, 892 Rodgers Rd., Centerville, Tenn. 37033

Primary Examiner—Brian N. Vinson
Attorney, Agent, or Firm—Dennis H. Lambert

[**] Term: **14 Years**

[57] **CLAIM**

[21] Appl. No.: **31,250**

The ornamental design for a protective camouflage panel set for vehicles, as shown and described.

[22] Filed: **Nov. 21, 1994**

DESCRIPTION

[52] U.S. Cl. **D12/196**

[58] Field of Search D12/400, 173,
D12/181, 184-185, 190, 195; 293/126,
128; 296/294

FIG. 1 is a top, front, and left side perspective view of a protective camouflage panel set for vehicles showing my new design;

FIG. 2 is a front elevational view thereof;

FIG. 3 is a rear elevational view thereof;

FIG. 4 is a left side elevational view thereof, the right side being a mirror image of that shown;

FIG. 5 is a top plan view thereof; and,

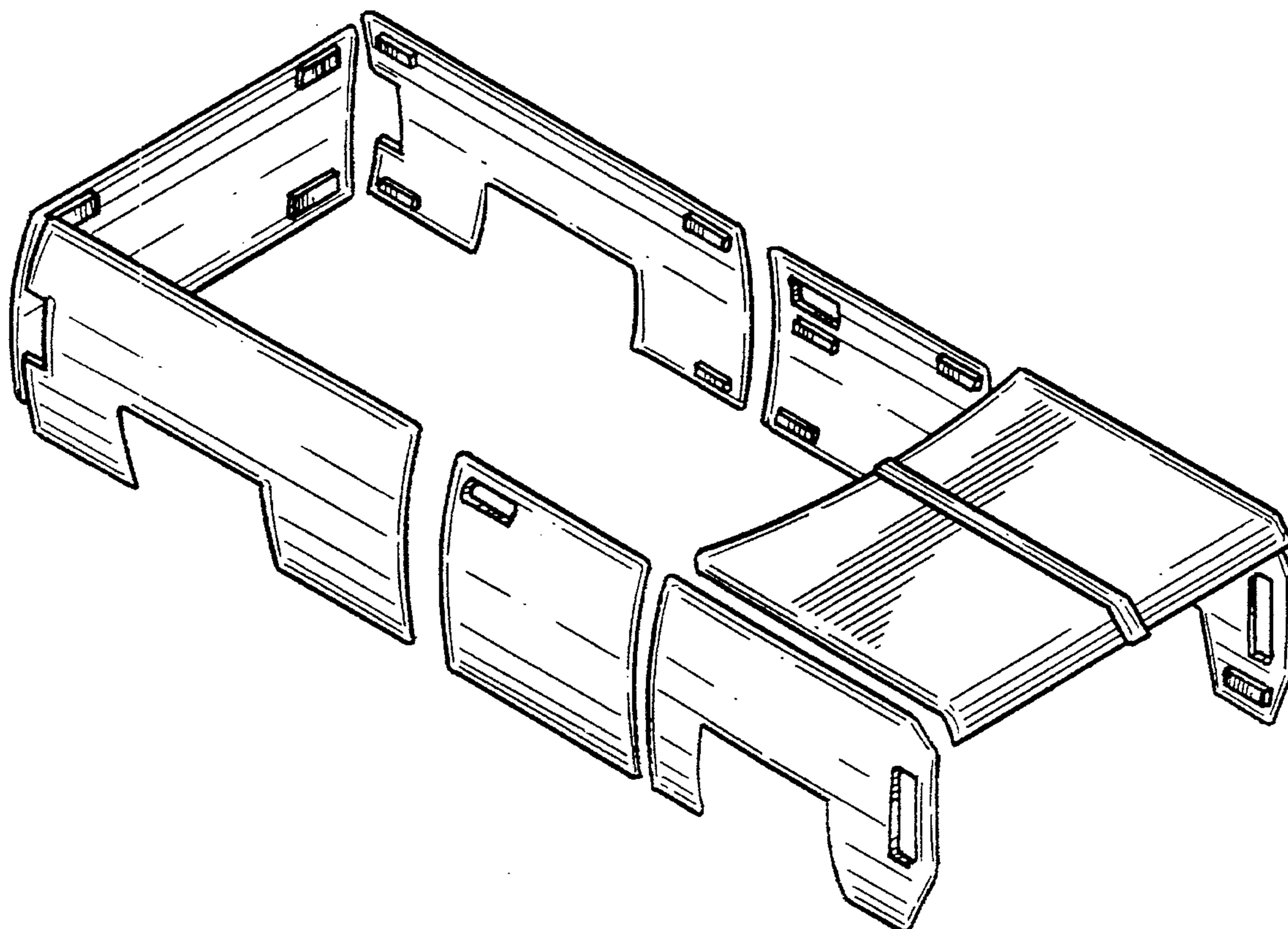
FIG. 6 is a bottom plan view thereof.

[56] **References Cited**

U.S. PATENT DOCUMENTS

D. 299,017	12/1988	Renn	D12/190 X
D. 299,637	1/1989	Wright-Brady et al.	D12/190
D. 300,915	5/1989	Envall et al.	D12/190
D. 308,848	6/1990	Genicoff	D12/190
4,530,519	7/1985	Marshall	280/770

1 Claim, 4 Drawing Sheets



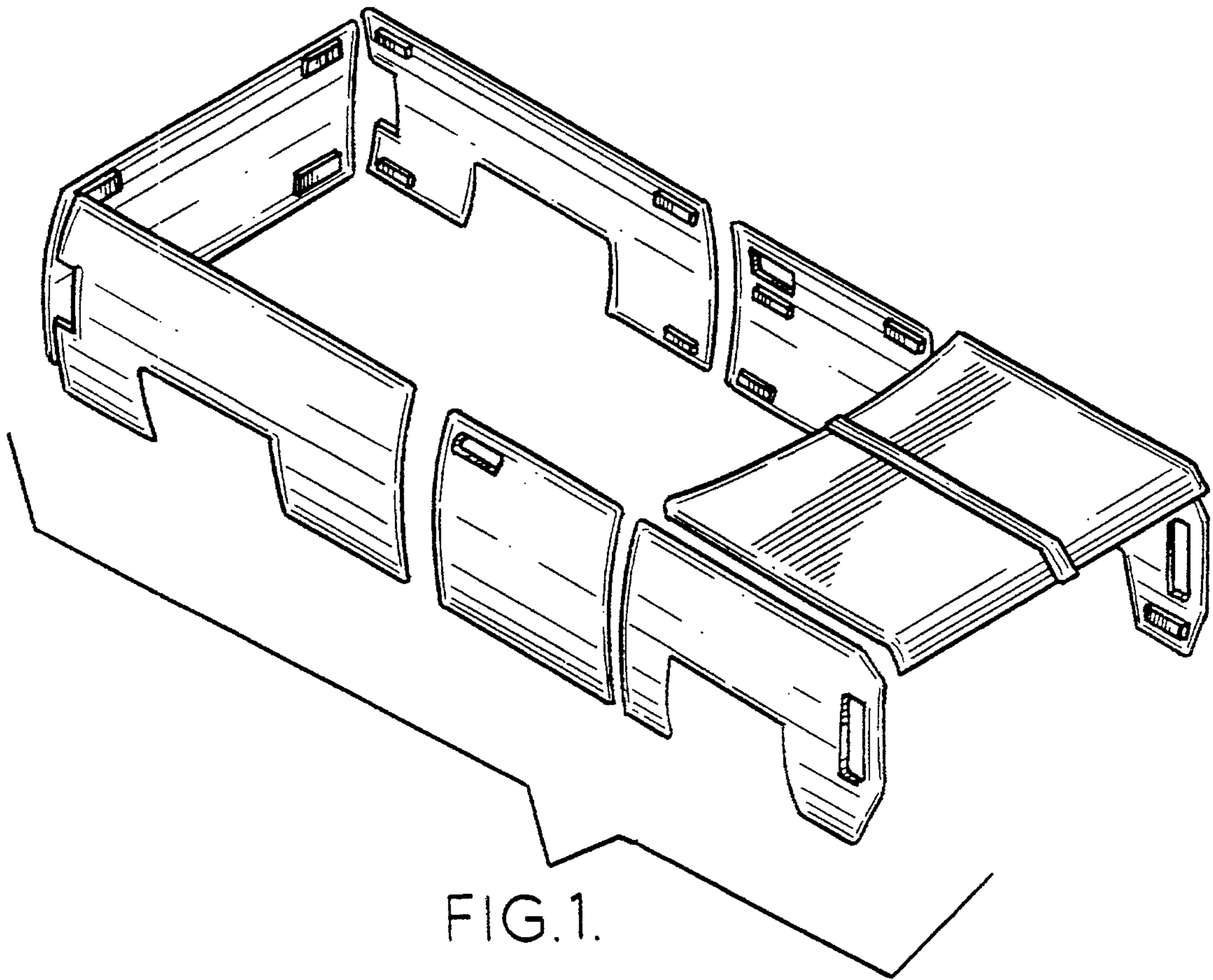
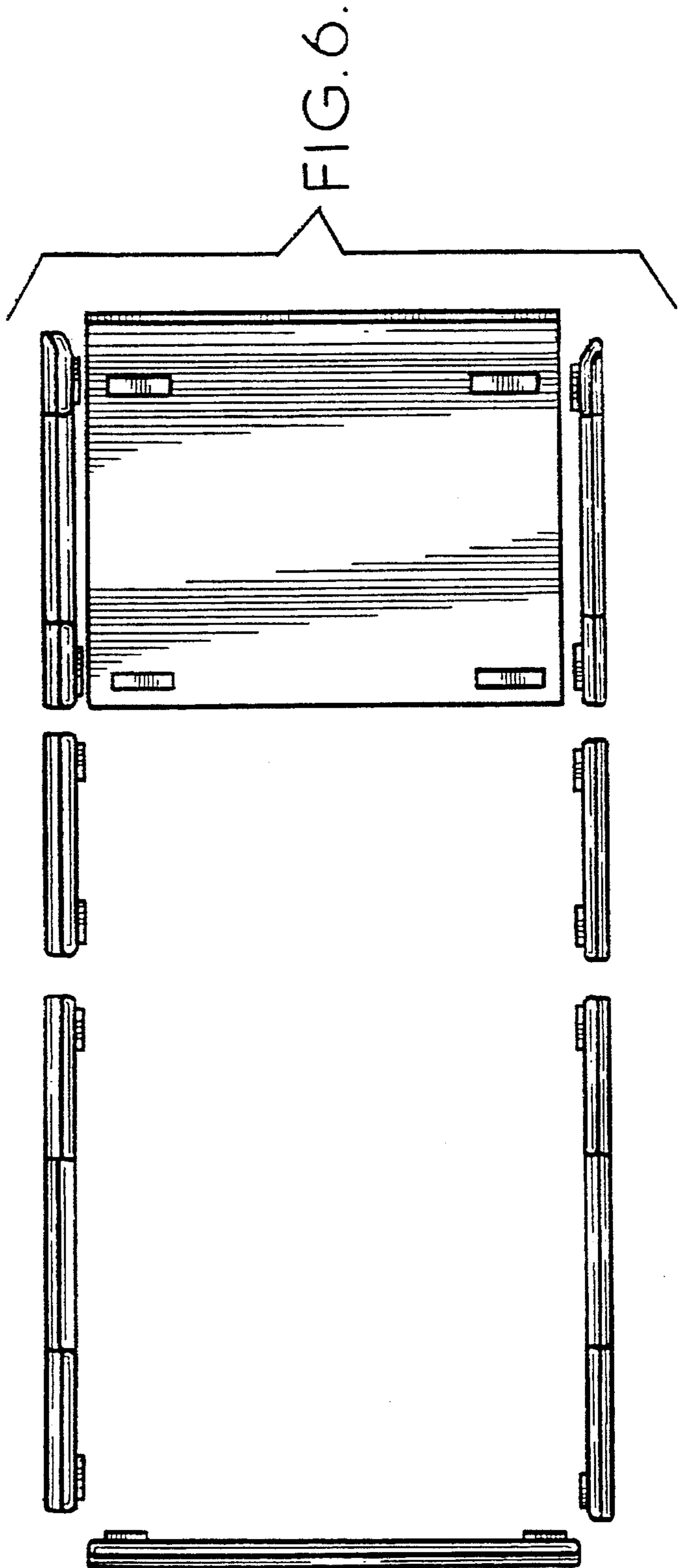
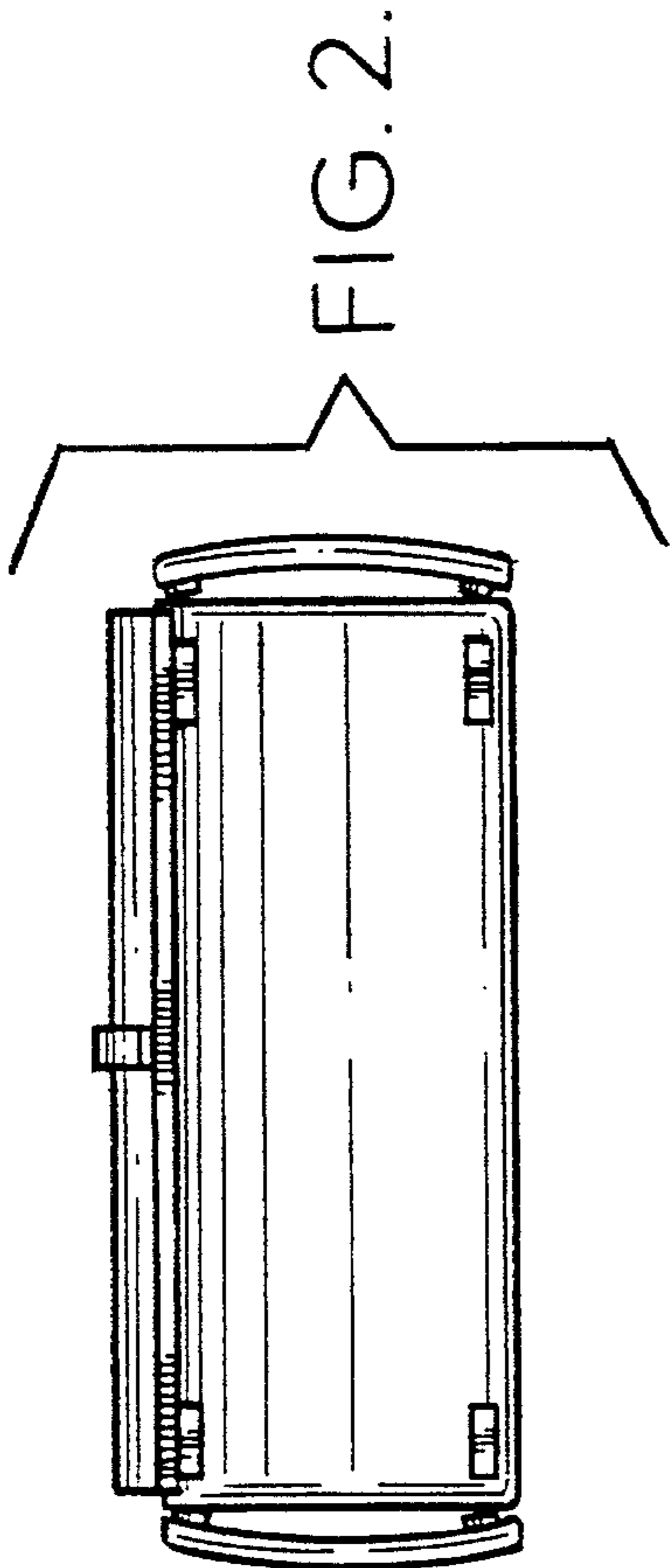


FIG. 1.



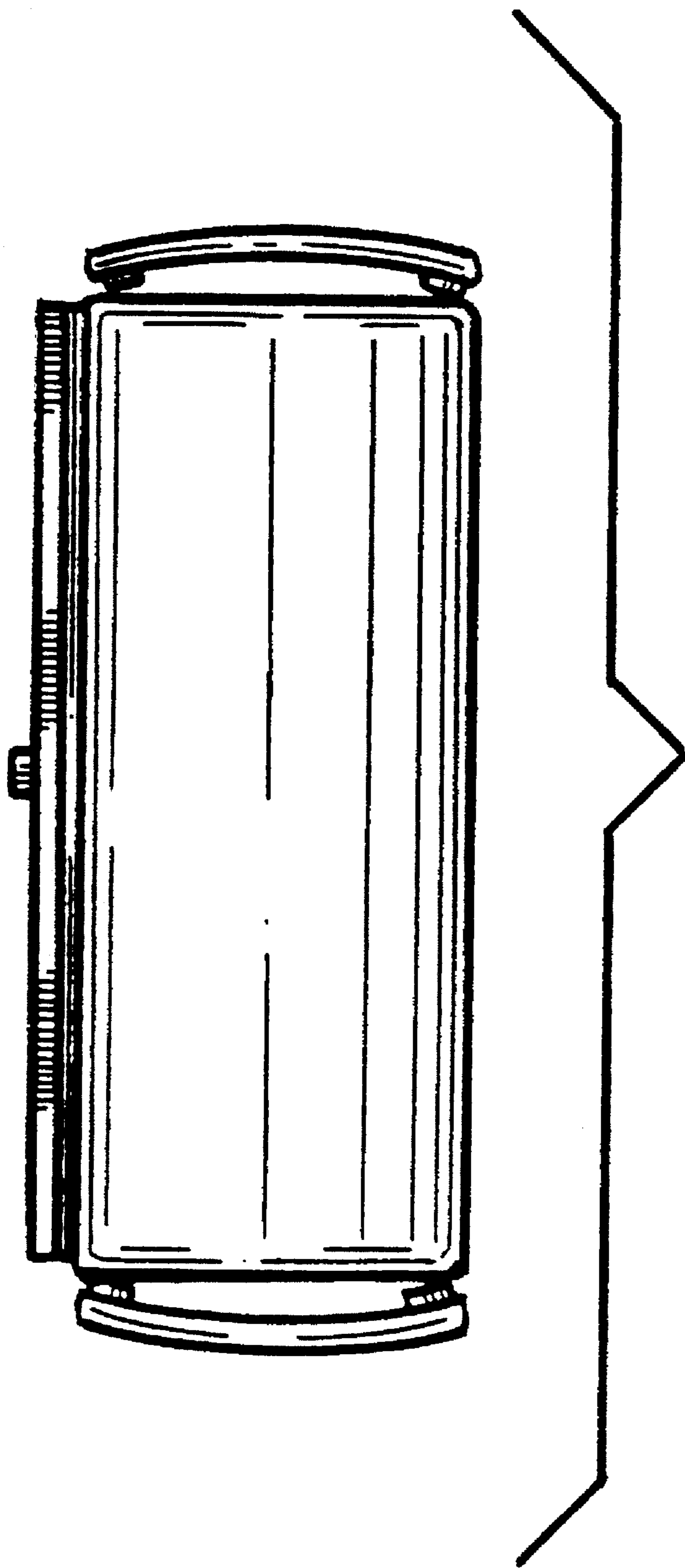


FIG. 3.

FIG. 4.

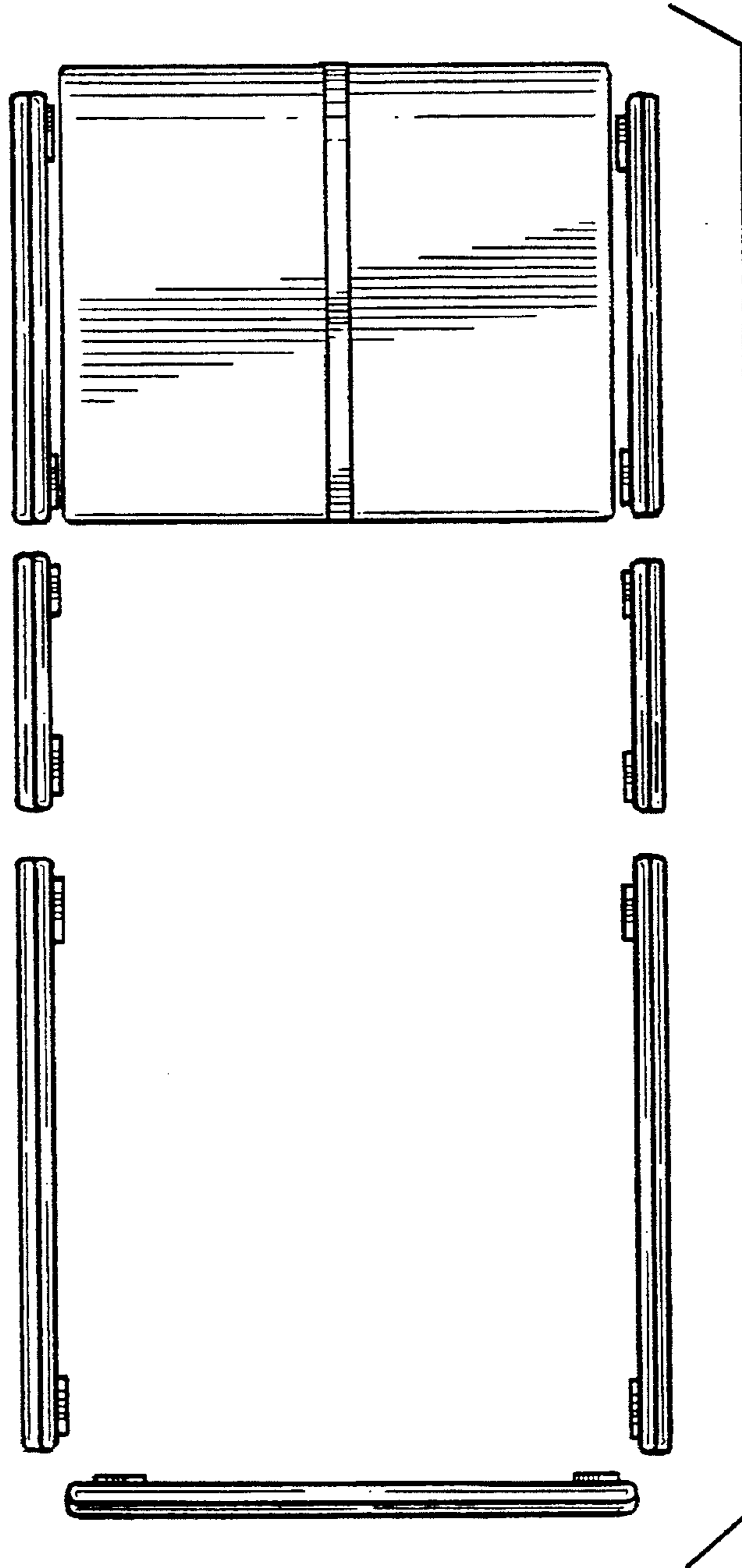
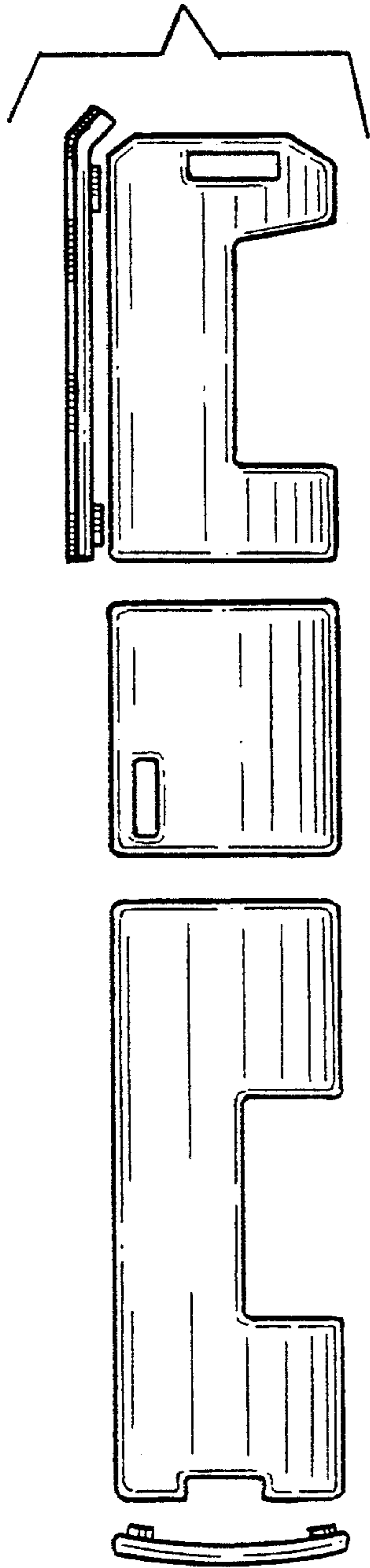


FIG. 5