



US00D368243S

United States Patent [19]

Nestor et al.

[11] Patent Number: **Des. 368,243**

[45] Date of Patent: ****Mar. 26, 1996**

[54] **PORTABLE MOBILE STAND**

[75] Inventors: **Brian J. Nestor**, Agoura Hills; **Hans J. Evertse**, Camarillo, both of Calif.

[73] Assignee: **Nestor Machine Company, Inc.**, Westlake Village, Calif.

[**] Term: **14 Years**

[21] Appl. No.: **29,586**

[22] Filed: **Oct. 11, 1994**

[52] U.S. Cl. **D12/128; D12/132**

[58] Field of Search **D12/128, 132, D12/131; 5/81.1, 83.1; 280/47.25, 47.33, 250.1, 304.1**

[56] **References Cited**

U.S. PATENT DOCUMENTS

D. 347,604 6/1994 Ernst et al. D12/132

4,099,277	7/1978	Watkins	5/81.1
4,685,693	8/1987	Vadjunec	280/250.1
5,211,414	5/1993	Galumbeck	280/250.1
5,340,139	8/1994	Davis	280/304.1

Primary Examiner—Kay H. Chin
Attorney, Agent, or Firm—Jack C. Munro

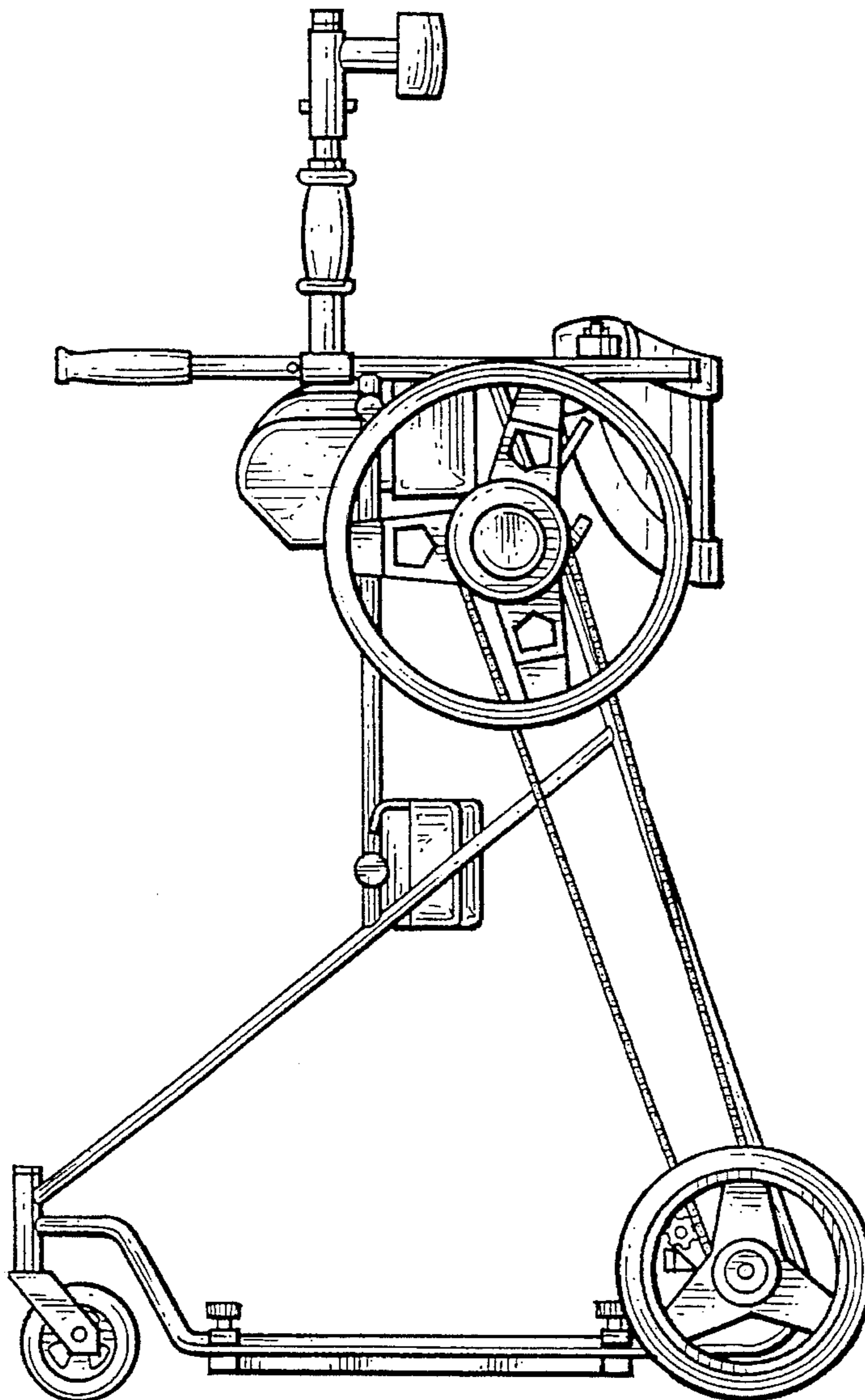
[57] **CLAIM**

The ornamental design for a portable mobile stand, as shown and described.

DESCRIPTION

FIG. 1 is a front view of the portable mobile stand showing our new design;
FIG. 2 is a left side view thereof;
FIG. 3 is a rear view thereof;
FIG. 4 is a right side view thereof;
FIG. 5 is a top view thereof; and,
FIG. 6 is a bottom view thereof.

1 Claim, 2 Drawing Sheets



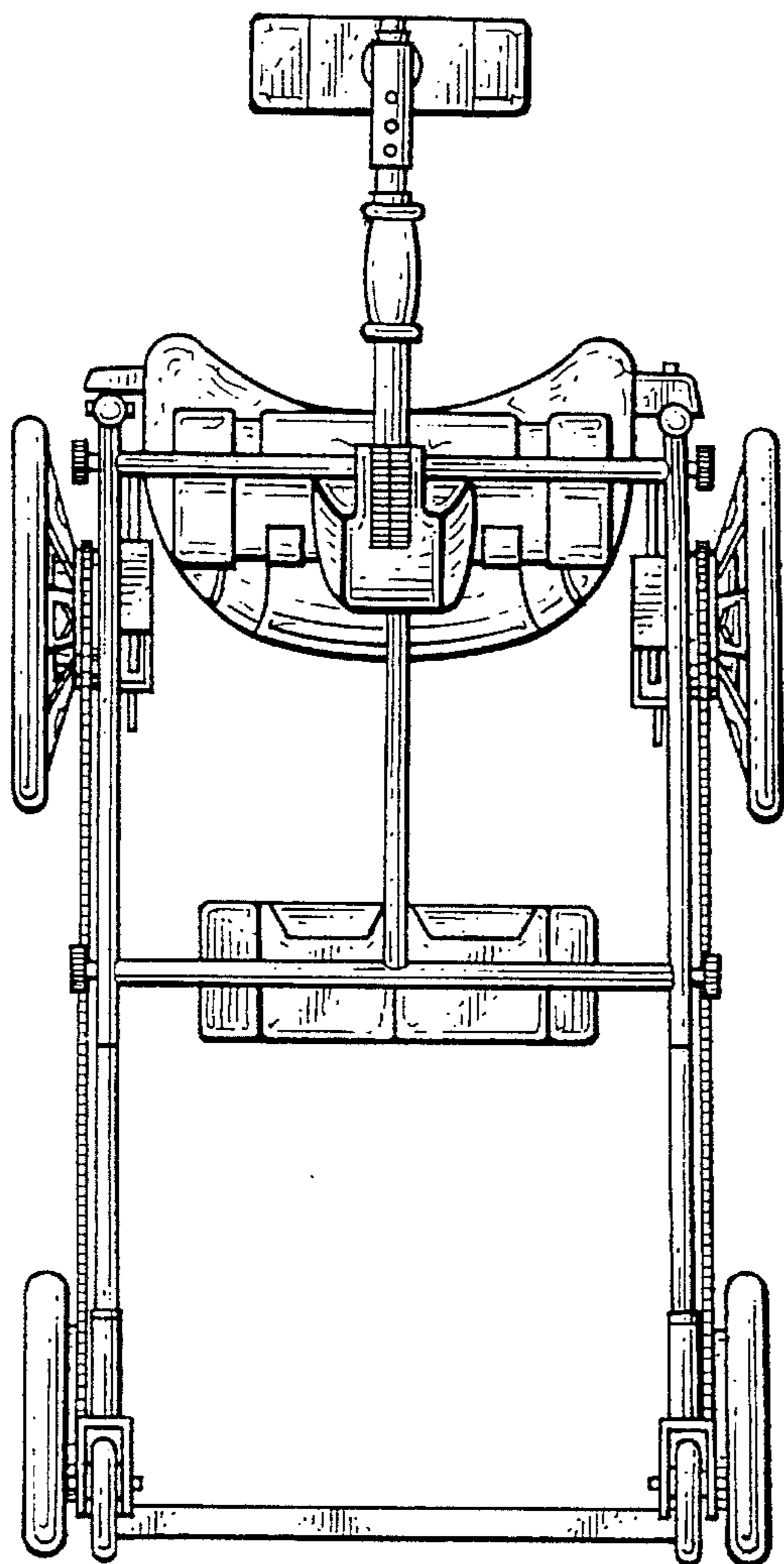


Fig. 1.

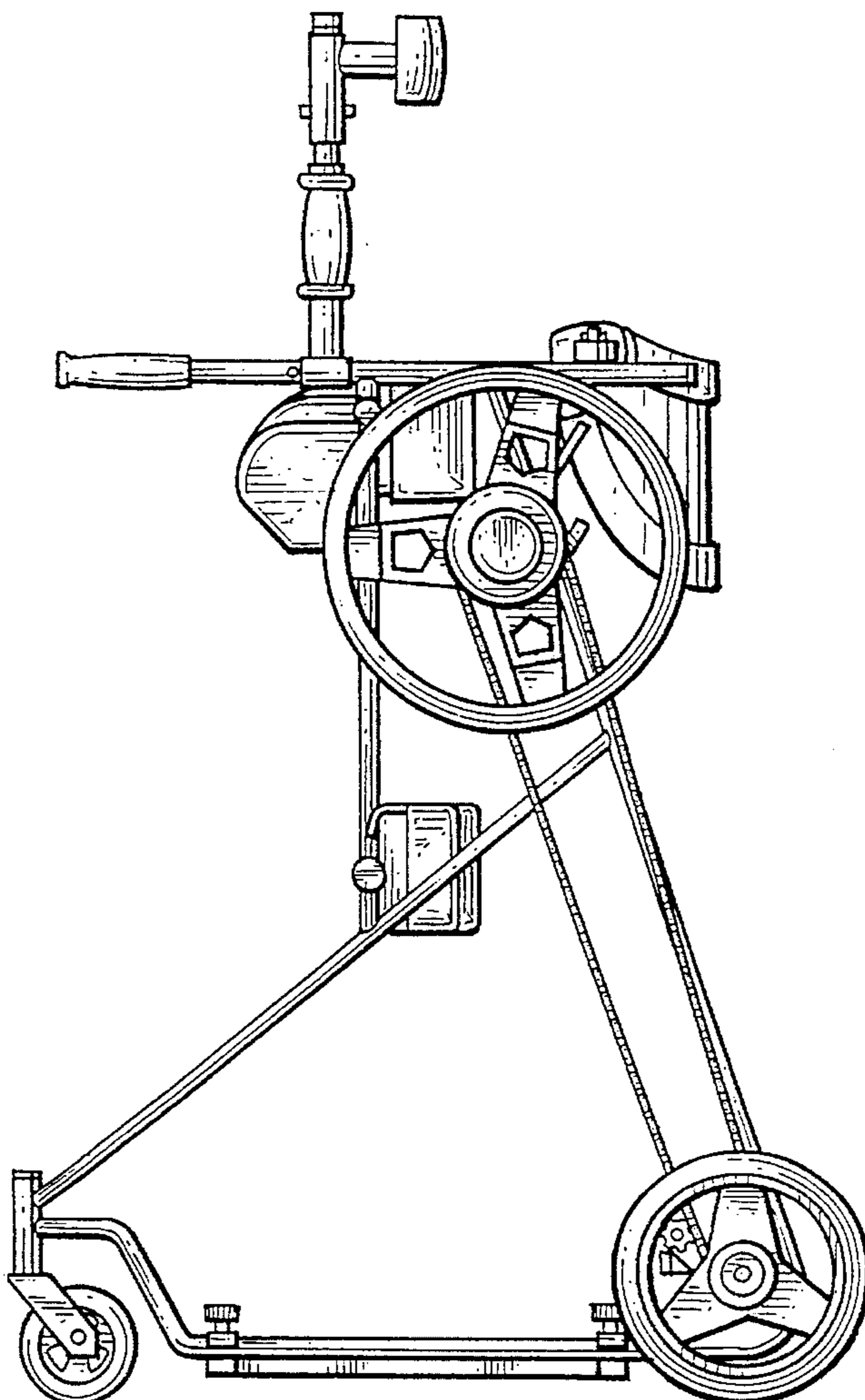


Fig. 2.

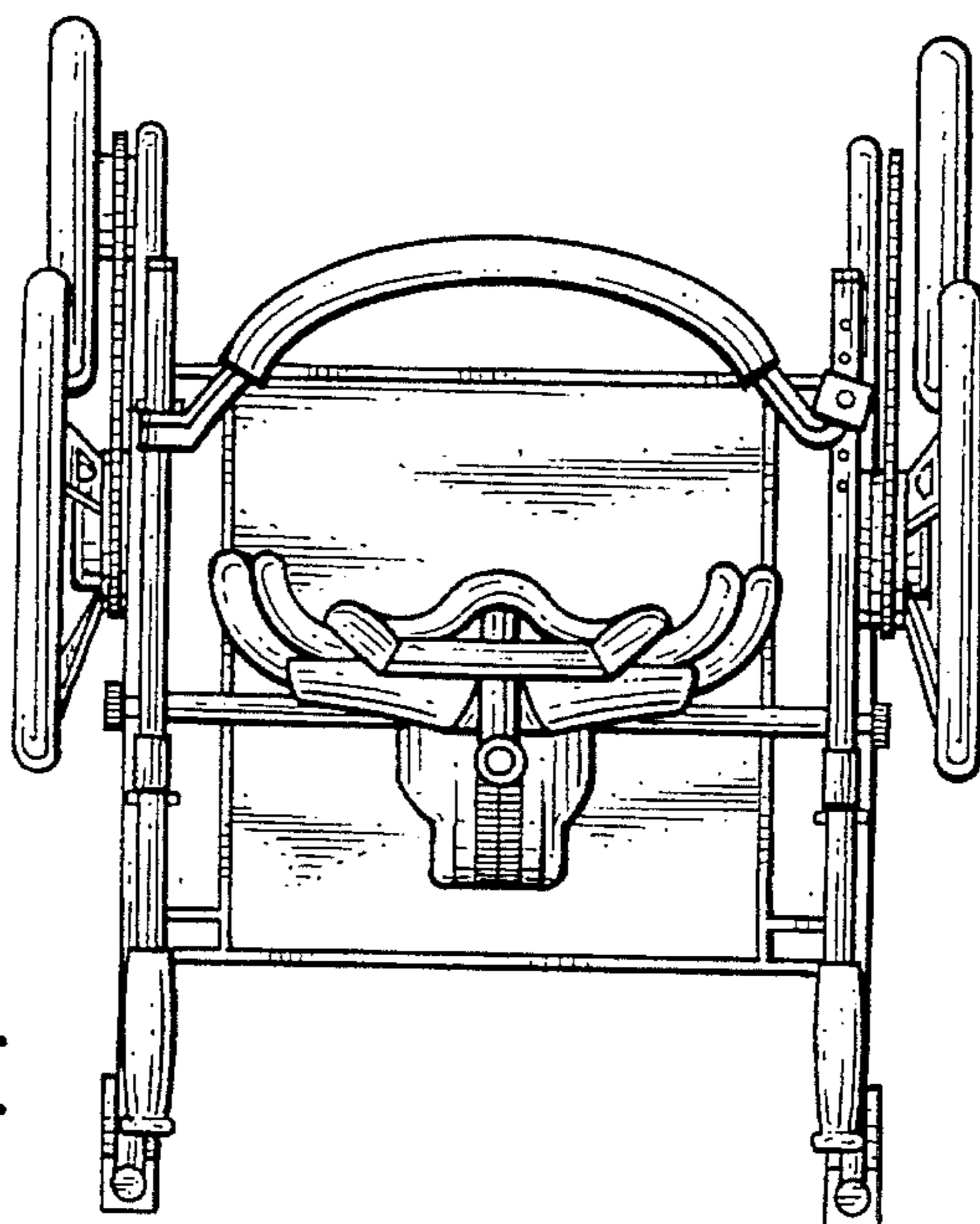


Fig. 5.

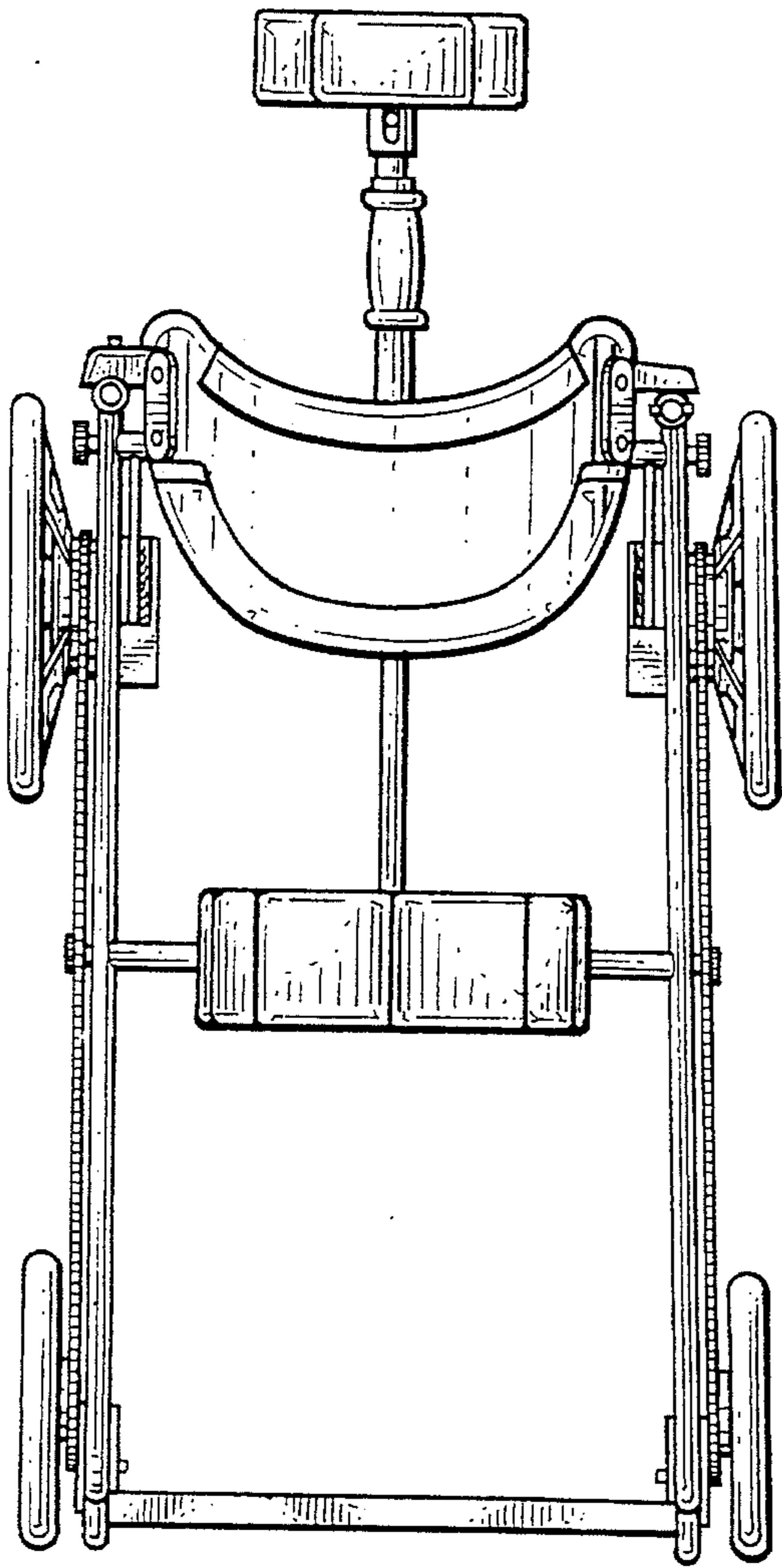


Fig. 3.

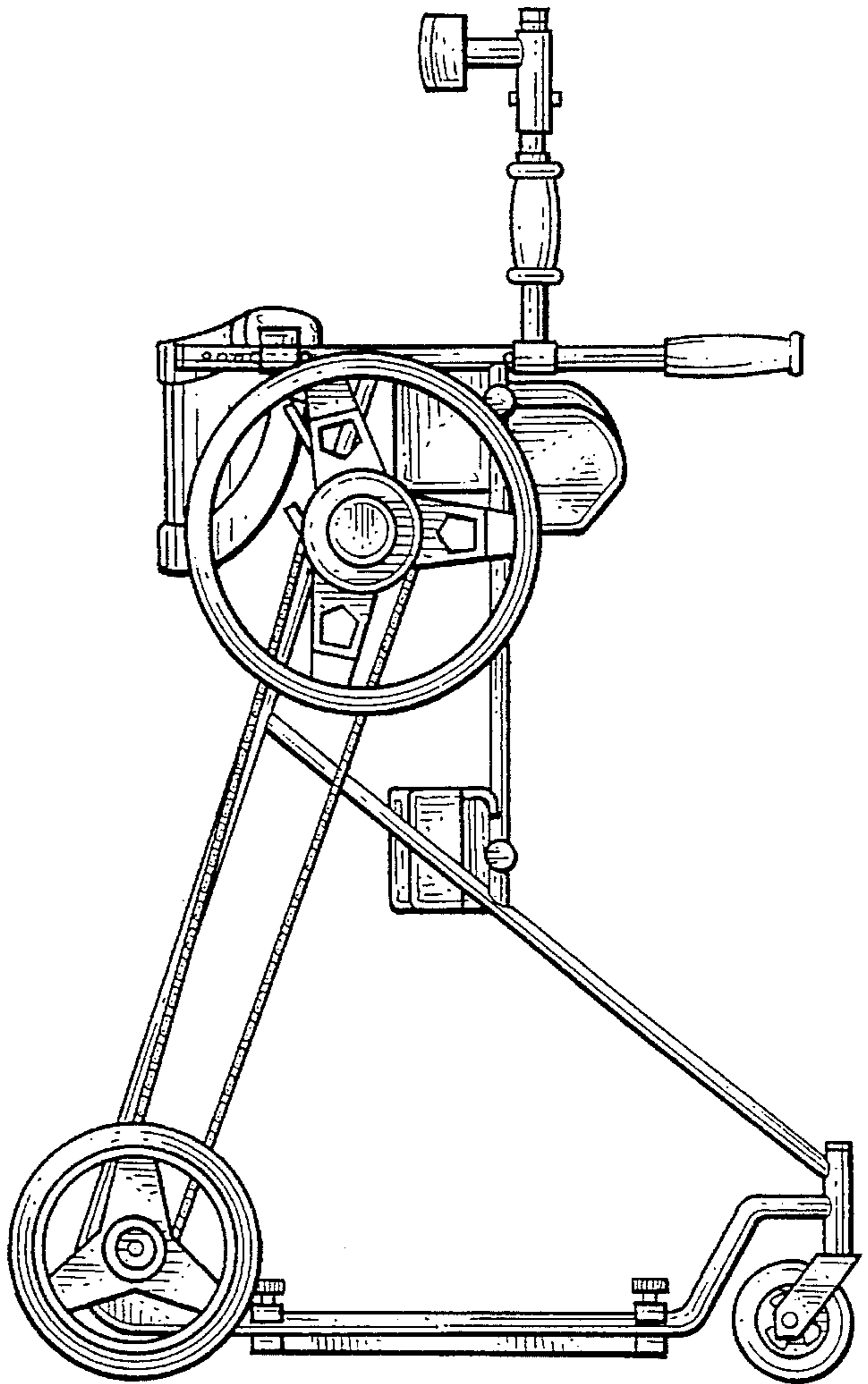


Fig. 4.

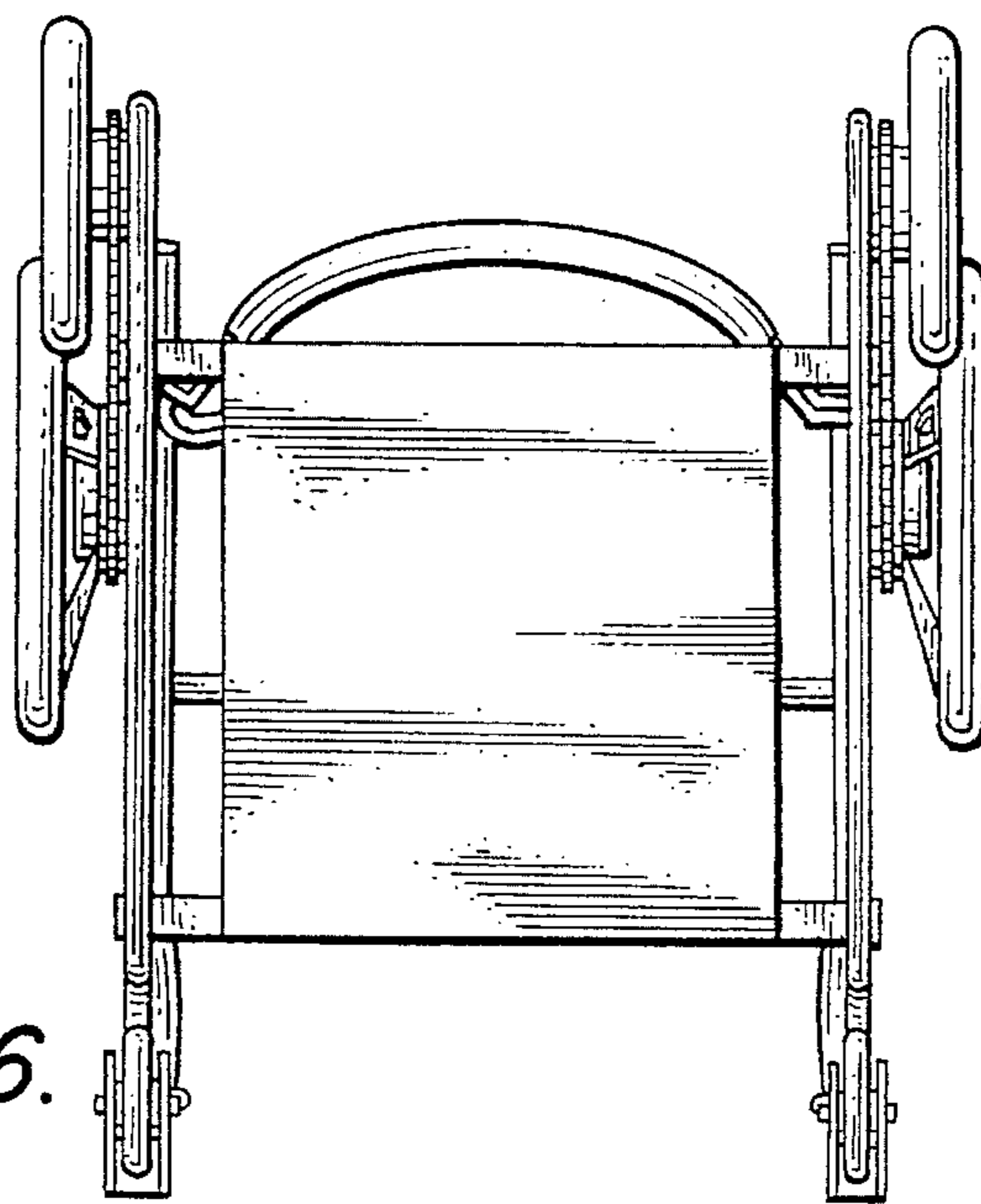


Fig. 6.