



US00D368242S

# United States Patent [19]

Camfield et al.

[11] Patent Number: Des. 368,242

[45] Date of Patent: \*\*Mar. 26, 1996

[54] BICYCLE

[75] Inventors: David K. Camfield; Daniel F. Brashear, both of Olney, Ill.

[73] Assignee: Roadmaster Corporation, Olney, Ill.

[\*\*] Term: 14 Years

[21] Appl. No.: 30,963

[22] Filed: Nov. 14, 1994

[52] U.S. Cl. .... D12/111

[58] Field of Search ..... D12/111; 280/281.1, 280/288.1, 288.2, 288.3

## [56] References Cited

### U.S. PATENT DOCUMENTS

D. 200,753	3/1965	Ryan	.....	D12/111
D. 203,146	12/1965	Ryan	.....	D12/111
D. 237,701	11/1975	Vachon	.....	D12/111
D. 267,560	1/1983	Matsue	.....	D12/110
D. 270,047	8/1983	Kataoka et al.	.....	D12/110
D. 273,854	5/1984	Ishiyama	.....	D12/110
D. 274,052	5/1984	Iwakura et al.	.....	D12/110
D. 281,870	12/1985	Nakano	.....	D12/110
D. 283,995	5/1986	Kohama et al.	.....	D12/110
D. 291,292	8/1987	Smith et al.	.....	D12/111
D. 295,274	4/1988	Matsuzaki et al.	.....	D12/110
D. 299,816	2/1989	Maruyama et al.	.....	D12/110
D. 300,211	3/1989	Yamase et al.	.....	D12/110
D. 311,507	10/1990	Sasaki et al.	.....	D12/110
D. 342,702	12/1993	Camfield et al.	.....	D12/111
D. 343,599	1/1994	Camfield et al.	.....	D12/111
D. 345,325	3/1994	Camfield et al.	.....	D12/111
D. 359,467	6/1995	Hsieh	.....	D12/111
4,775,163	10/1988	McGowan et al.	.....	280/277
5,314,207	5/1994	Camfield et al.	.....	280/288.4

### FOREIGN PATENT DOCUMENTS

47648 12/1980 Canada .

### OTHER PUBLICATIONS

- U.S. Trademark Registration No. 74/467,938, 1949.
- U.S. Trademark Registration No. 74/467,939, 1982.
- U.S. Trademark Registration No. 74/467,941, 1964.
- Brochure Entitled "Bicycles for 1975", 2 pages.
- AMF Junior Catalog, 1976 Juvenile Wheel Goods, p. 10.
- AMF Roadmaster Catalog, Bicycles for 1976, Models

LL9230 and L9236.

AMF Junior Catalog, 1977 Juvenile Wheel Goods, Models G992 and G986.

AMF Junior Catalog, 1978 Juvenile Wheel Goods, pp. 10 and 12.

AMF Catalog, Junior Wheel Goods for 1979, p. 9.

Brochure, Honda "1991 XR200R, XR100R, XR280R and Z50R".

Famosa Catalog, 16 pages (undated) (Circa 1993).

Roadmaster Corporation, 1993 Bicycle Products, Motocycles, Models 7299, 7699, 2999.

Brochure Entitled "Roadmaster Introduces The Harley-Davidson® of Bicycles", 6 pages, 1994 by Roadmaster Corporation.

Hurry Catalog, Circa 1994, pp. 26, 27, 40 and 41.

Roadmaster Corporation Catalog, 1995 Bicycle Catalog, Motocycles, Models R1399, R7799A and R7399A.

Advertisement for Dynamic Bicycles From a Mexican Cycling Magazine, 1993.

Primary Examiner—A. Hugo Word

Assistant Examiner—M. Brown

Attorney, Agent, or Firm—Steven P. Shurtz; Willian Brinks Hofer Gilson & Lione

## [57] CLAIM

The ornamental design for a bicycle, as shown and described.

## DESCRIPTION

FIG. 1 is a right, front perspective view of a bicycle showing the new design;

FIG. 2 is a right side elevational view thereof;

FIG. 3 is a left side elevational view thereof;

FIG. 4 is a front elevational view thereof;

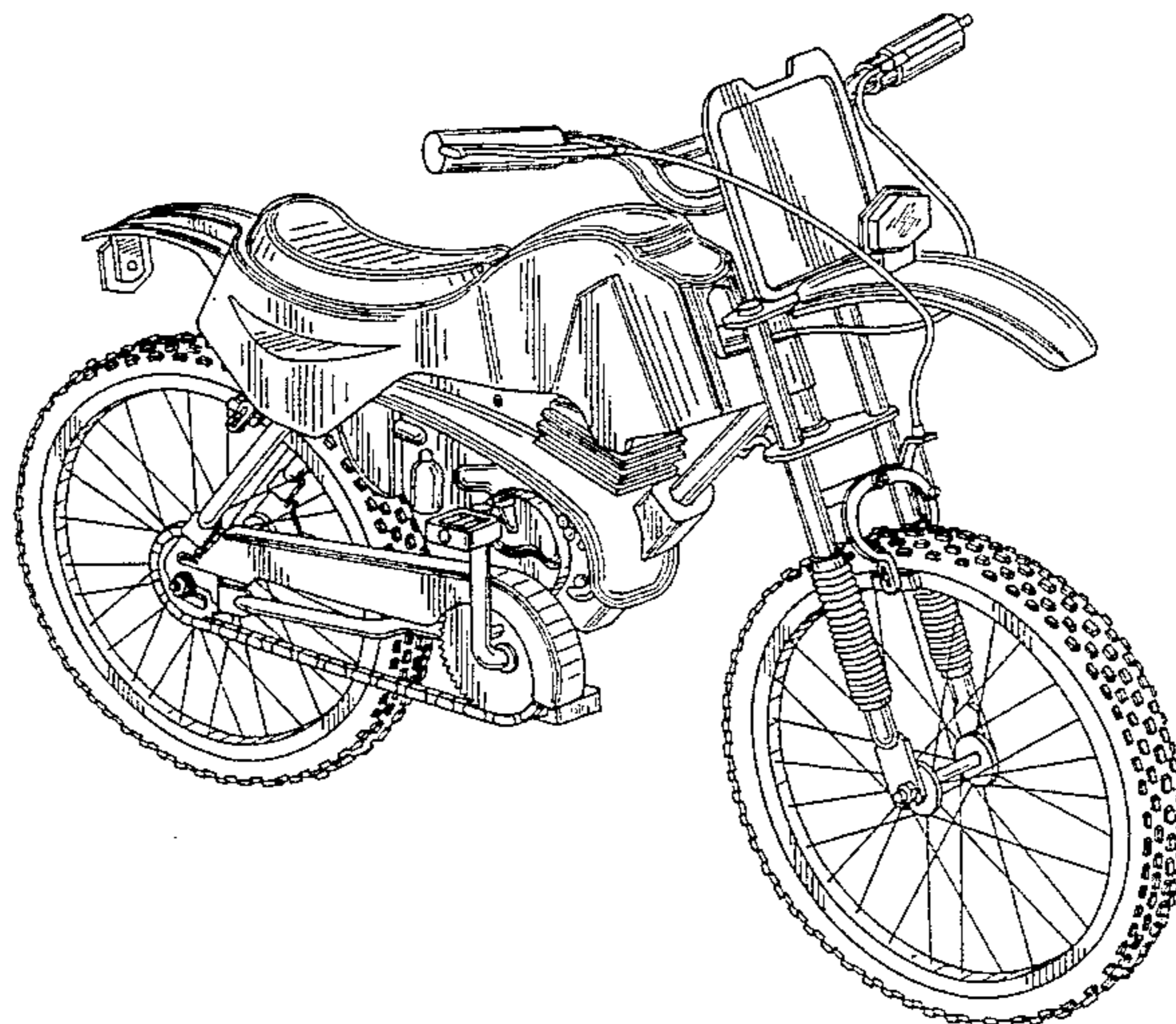
FIG. 5 is a rear elevational view thereof;

FIG. 6 is a top plan view thereof;

FIG. 7 is a bottom plan view thereof; and,

FIG. 8 is a right, front perspective view of a bicycle showing a second embodiment of the new design it being understood that the top, front, rear, bottom and left and right side views are substantially similar to those in FIGS. 1-7, the only significant visual difference resides in the front fork of the design.

1 Claim, 7 Drawing Sheets



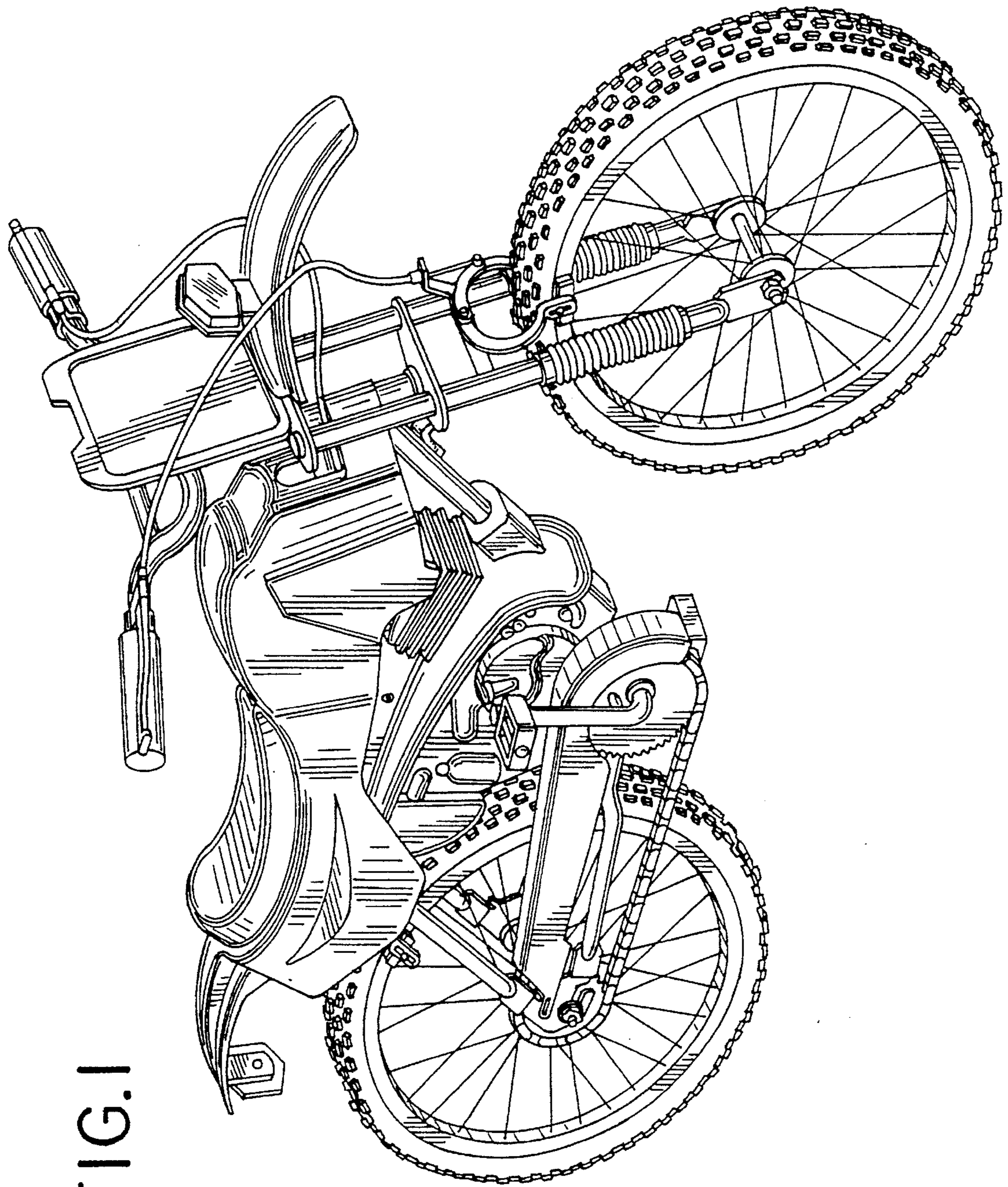


FIG. 1

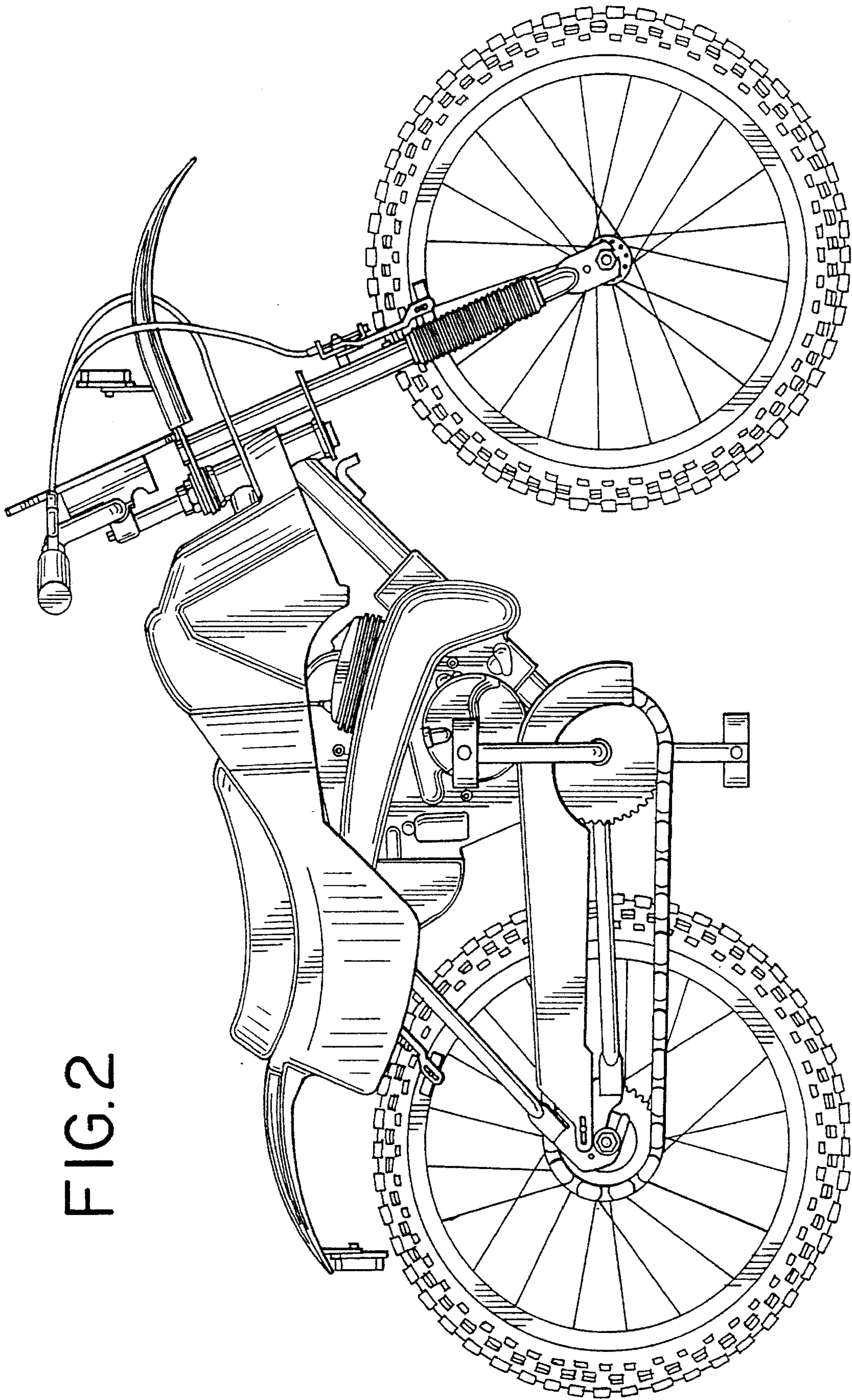


FIG. 2

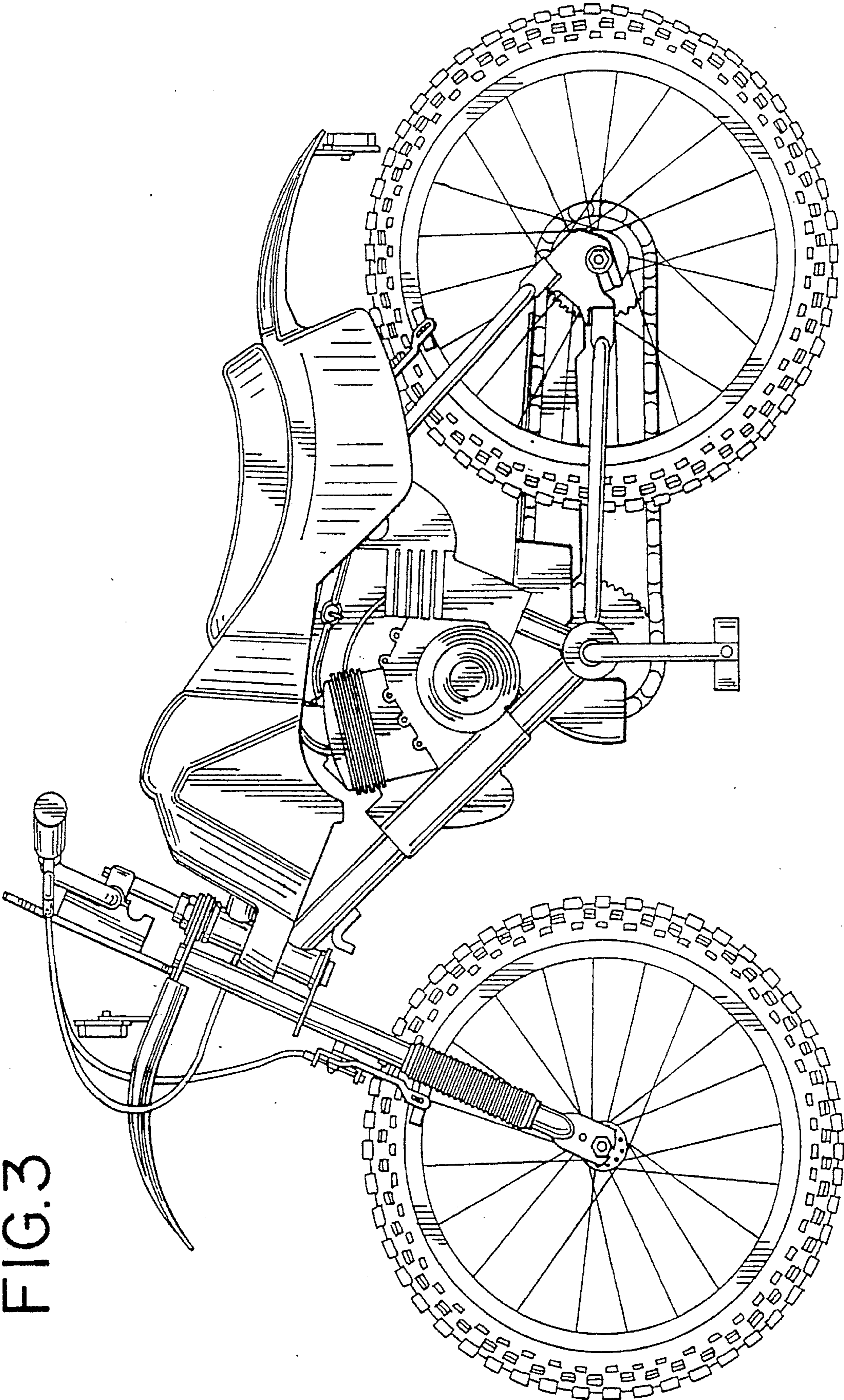


FIG. 3

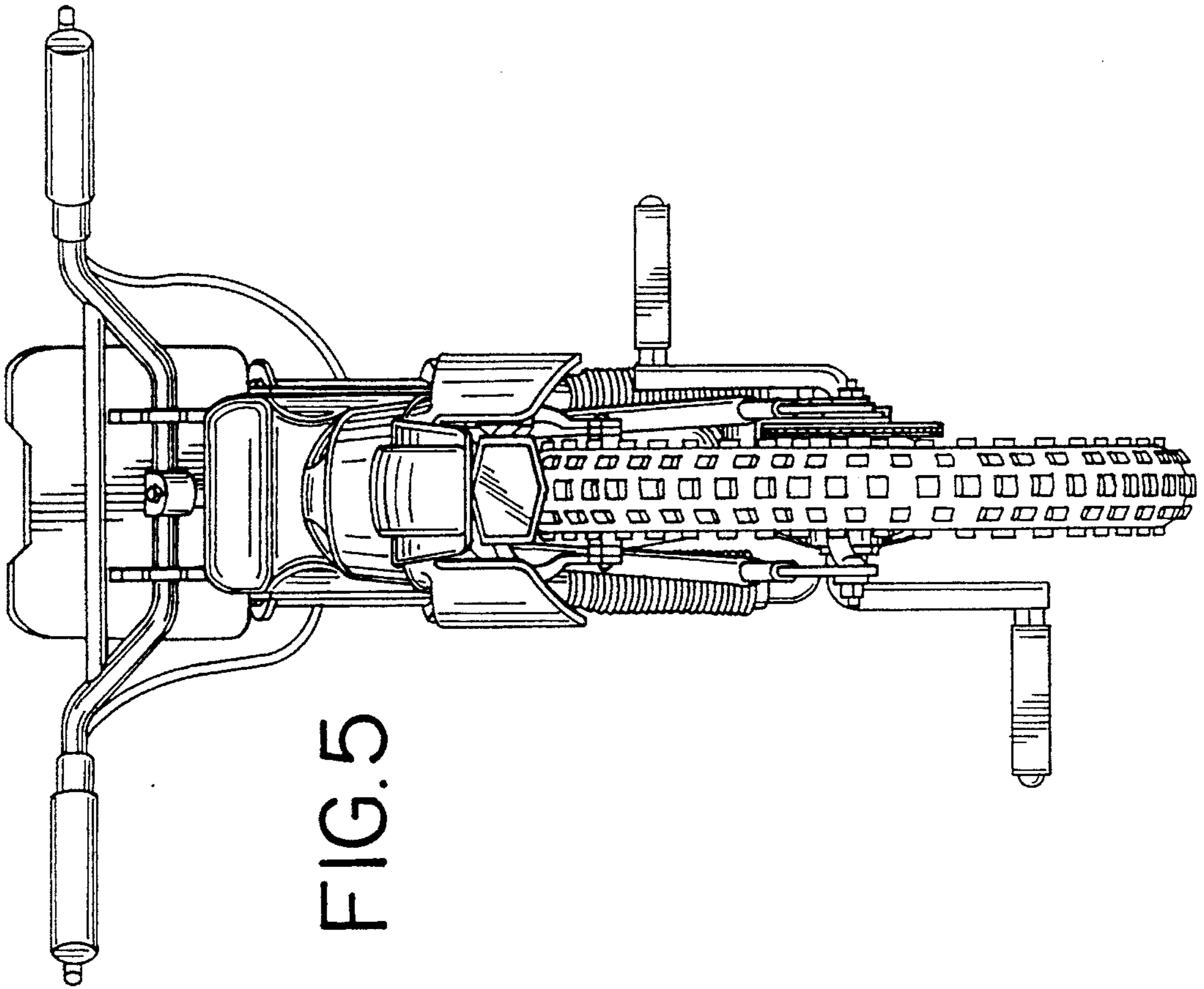


FIG. 5

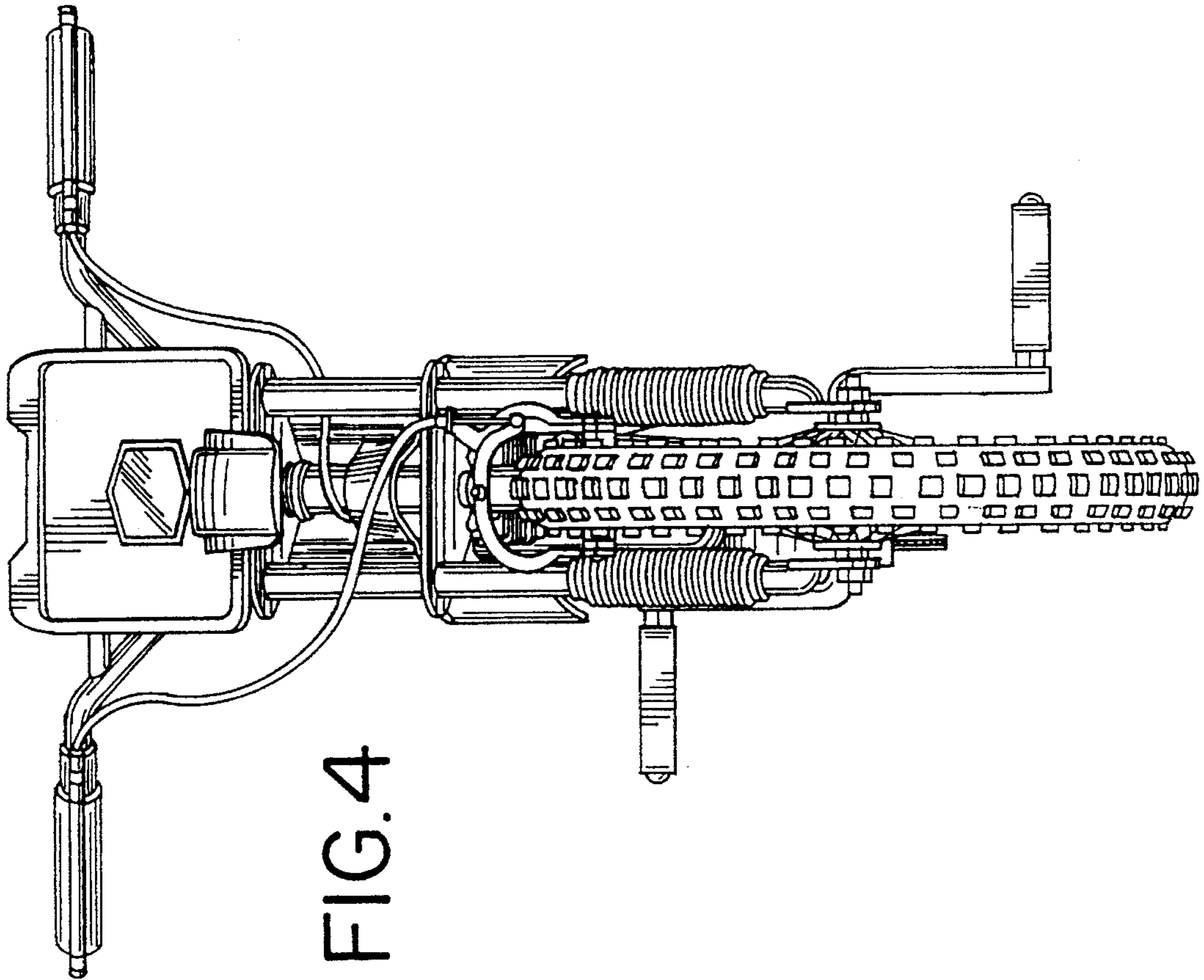


FIG. 4

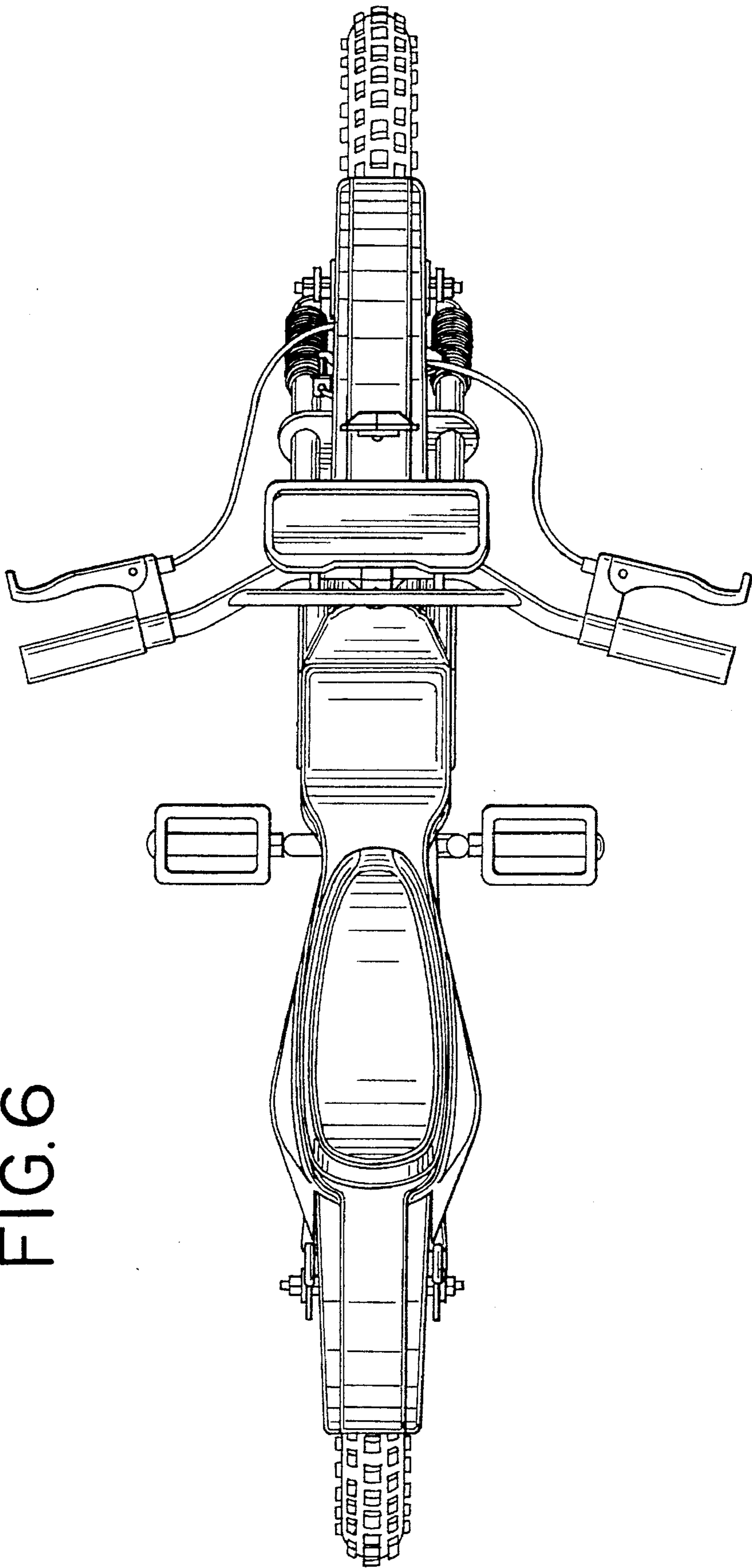


FIG. 6

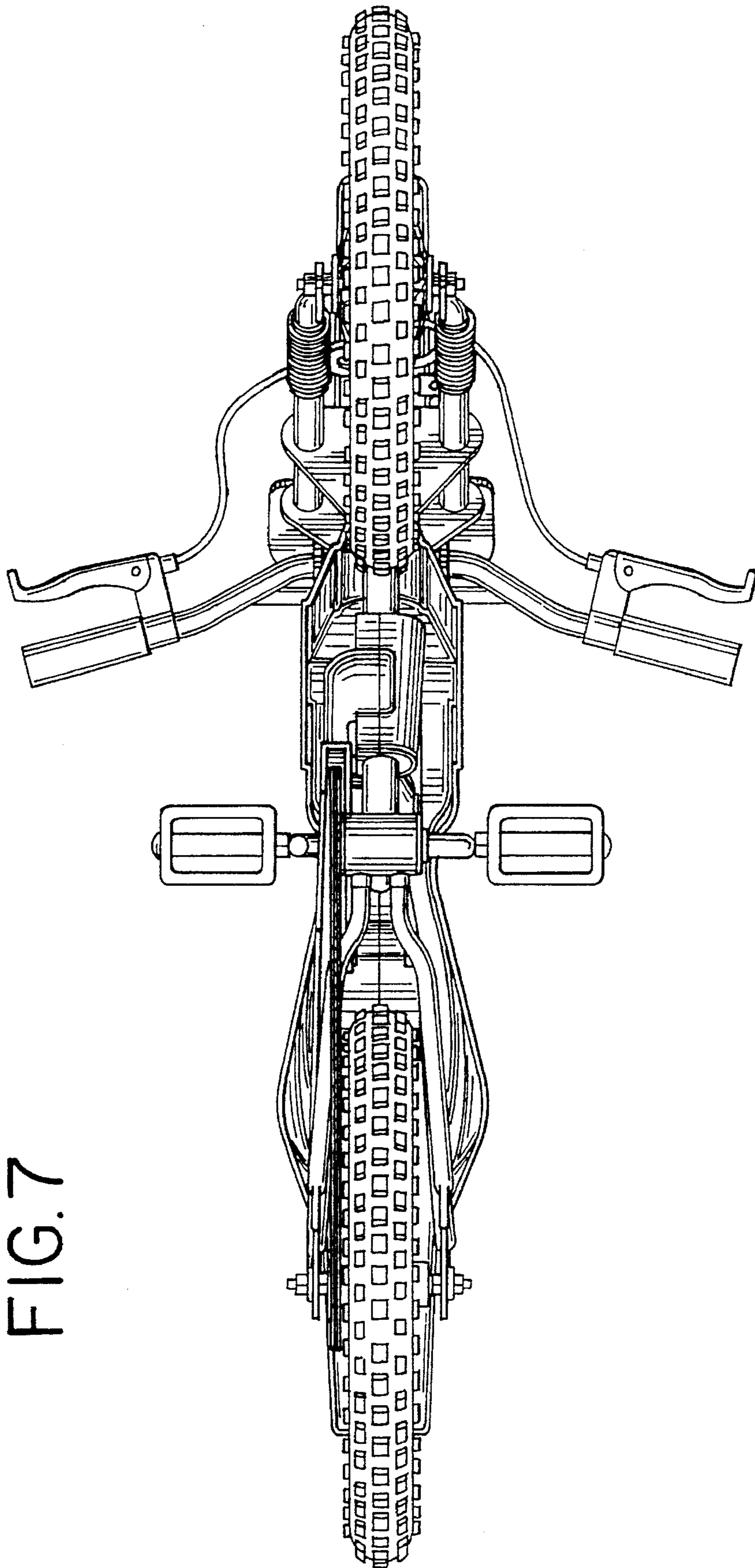


FIG. 7

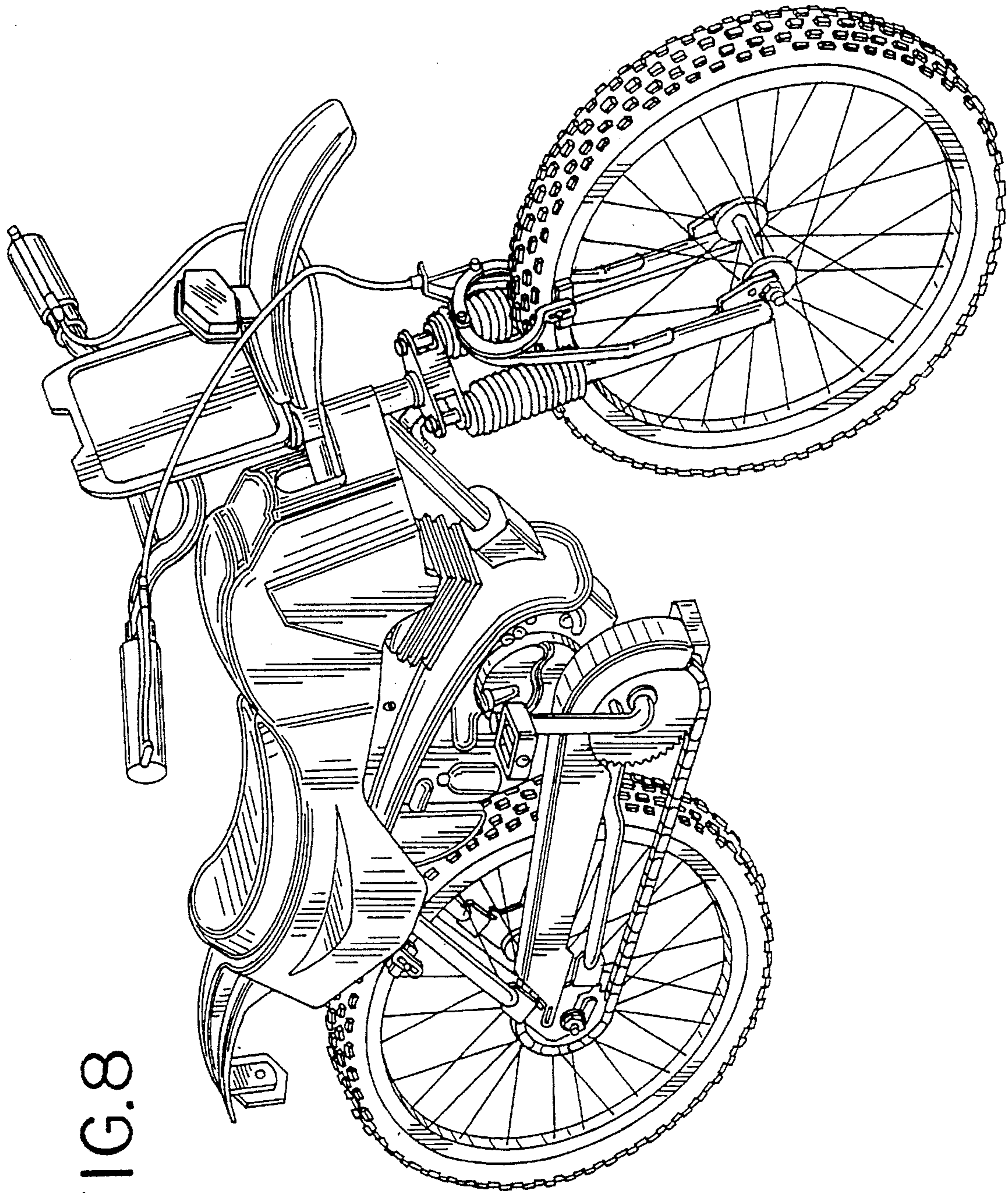


FIG. 8