



US00D368230S

United States Patent [19]

Cohen et al.

[11] Patent Number: **Des. 368,230**

[45] Date of Patent: ****Mar. 26, 1996**

[54] **IRRIGATION TIMER**

[75] Inventors: **Uzi Cohen**, Rishon Le-Zion; **Charle Hamisha**, Kffar Saba; **Atzmon Kosovsky**, Ramat-Hasharon, all of Israel

[73] Assignee: **Motorola, Inc.**, Schaumburg, Ill.

[**] Term: **14 Years**

[21] Appl. No.: **37,167**

[22] Filed: **Apr. 5, 1995**

[52] U.S. Cl. **D10/40; D10/49**

[58] Field of Search **D10/40, 49; 137/624.11-624.2; 239/69, 70; 364/144, 145, 420**

[56] **References Cited**

U.S. PATENT DOCUMENTS

D. 288,299 2/1987 Mark D10/40

D. 323,297	1/1992	Zeller	D10/40	X
4,791,948	12/1988	Bayat	137/624.18	X
4,858,827	8/1989	Fletcher et al.	137/624.18	X
5,135,168	8/1992	Wang	137/624.18	X

Primary Examiner—Antoine Duval Davis
Attorney, Agent, or Firm—Daniel C. Crilly

[57] **CLAIM**

The ornamental design for an irrigation timer, as shown and described.

DESCRIPTION

FIG. 1 is a front, top, and right side perspective view showing our new design for irrigation timer; FIG. 2 is a front elevational view thereof; FIG. 3 is a left elevational view thereof; and, FIG. 4 is a bottom plan view thereof.

1 Claim, 2 Drawing Sheets

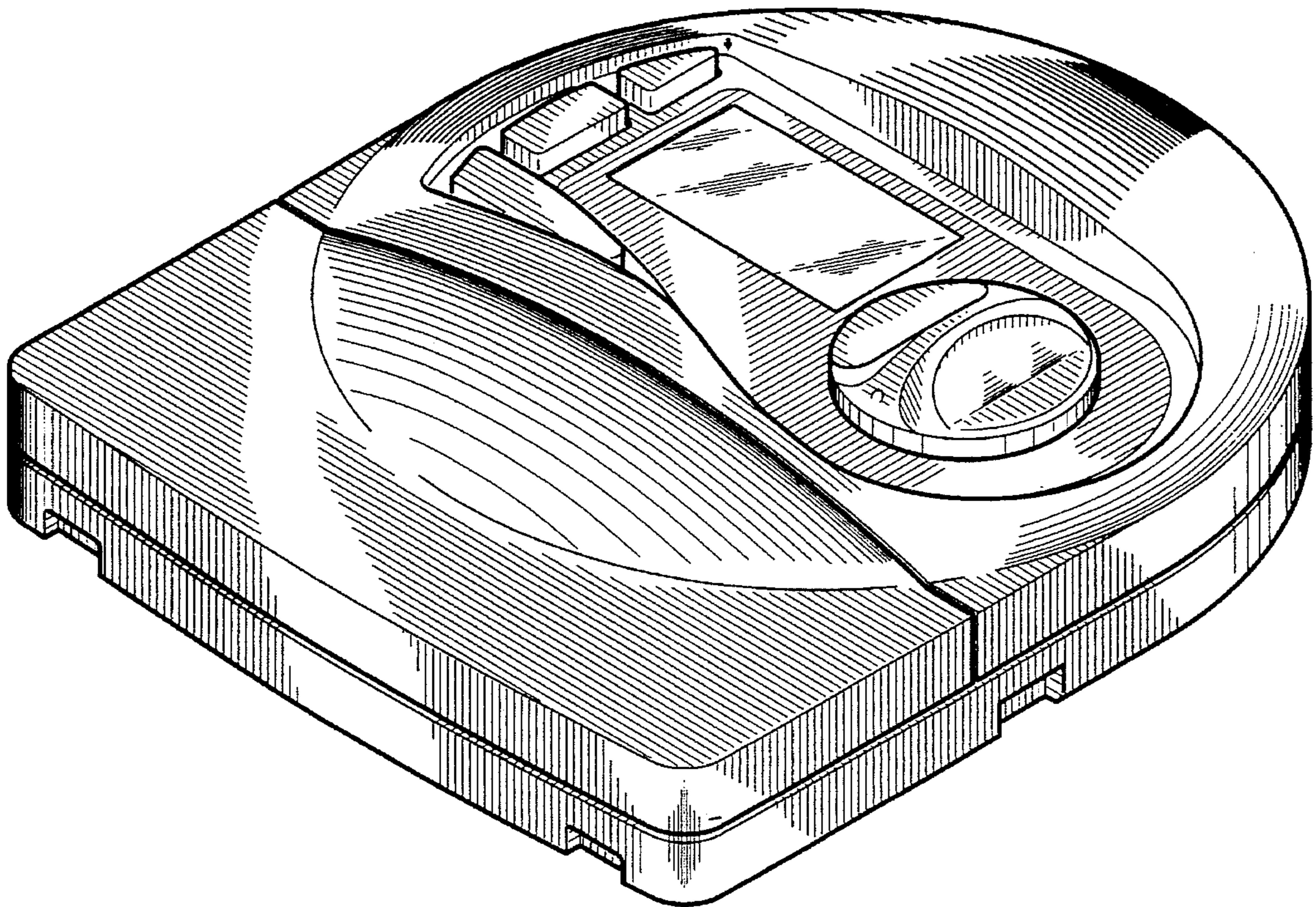


FIG. 1

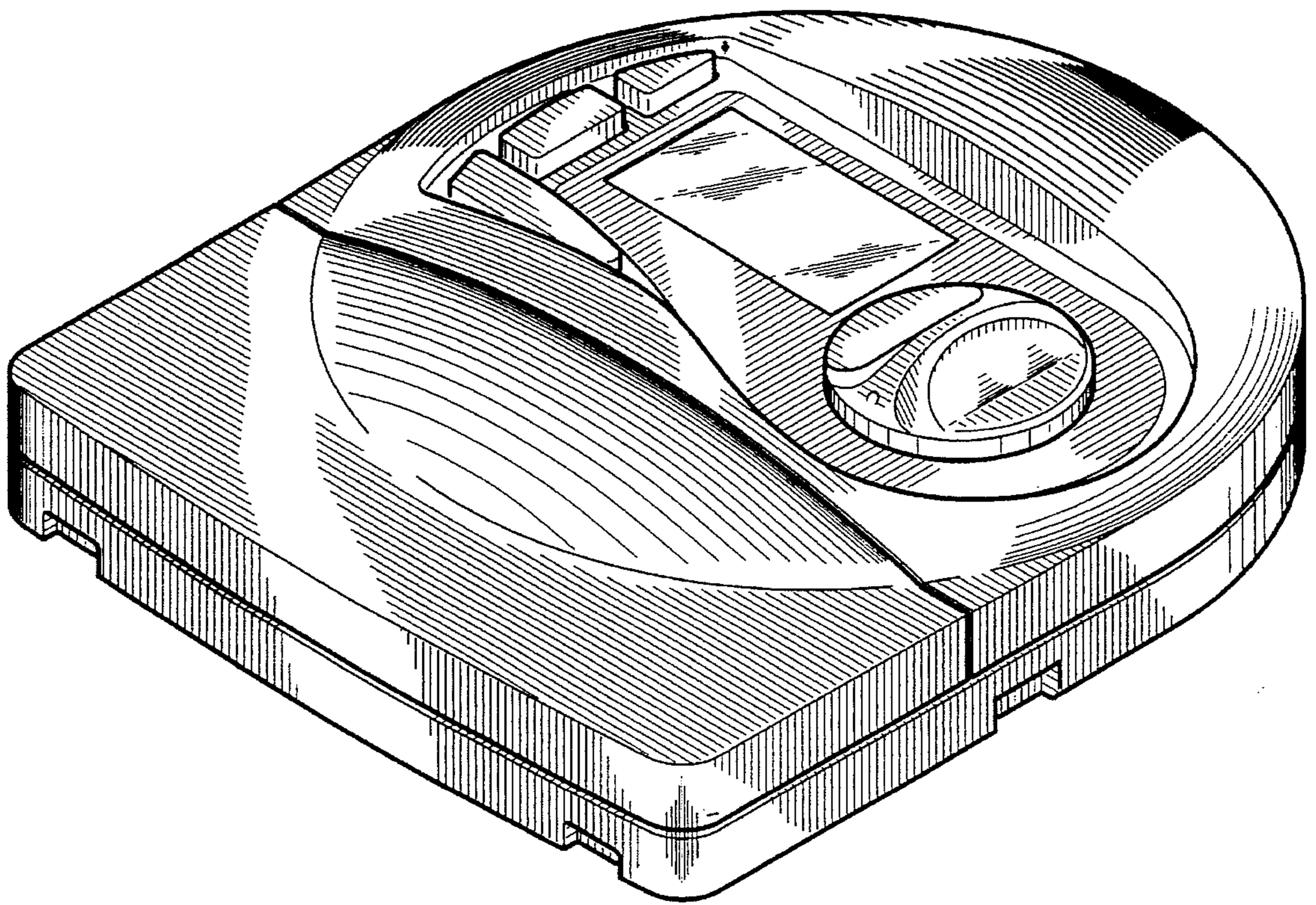


FIG. 2

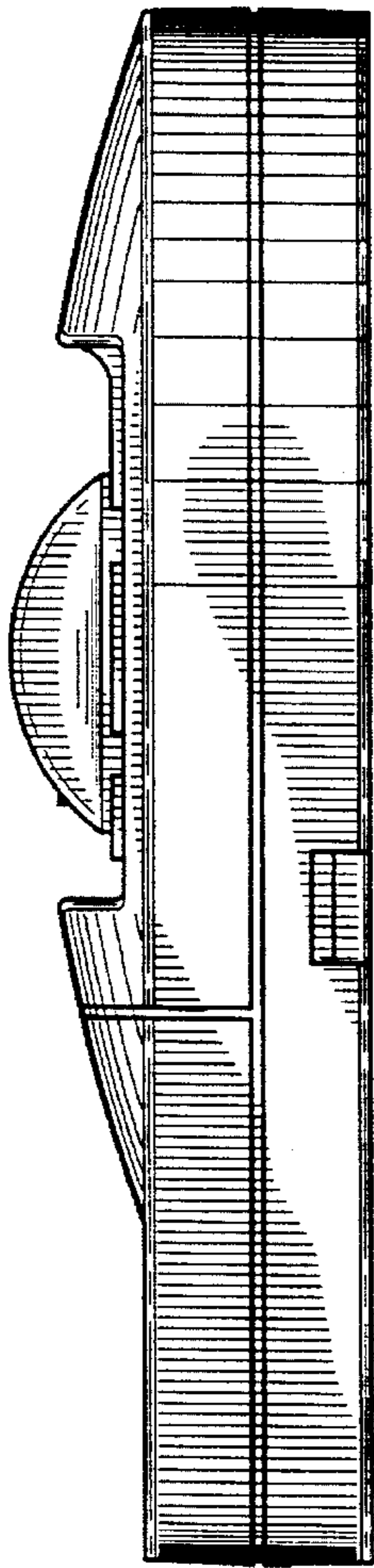
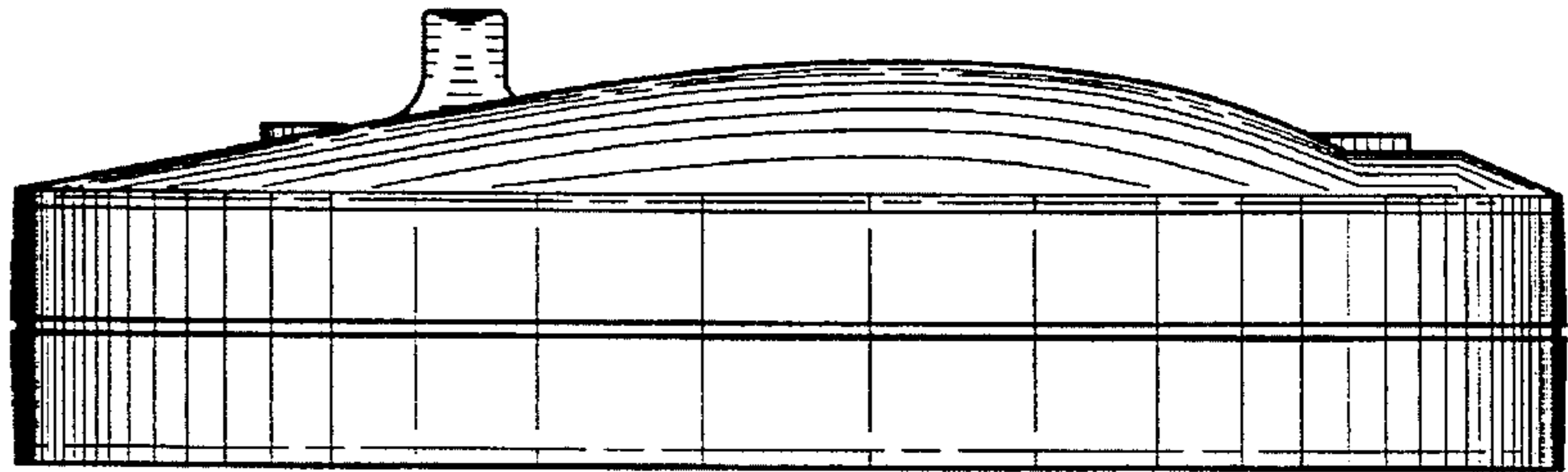


FIG. 3

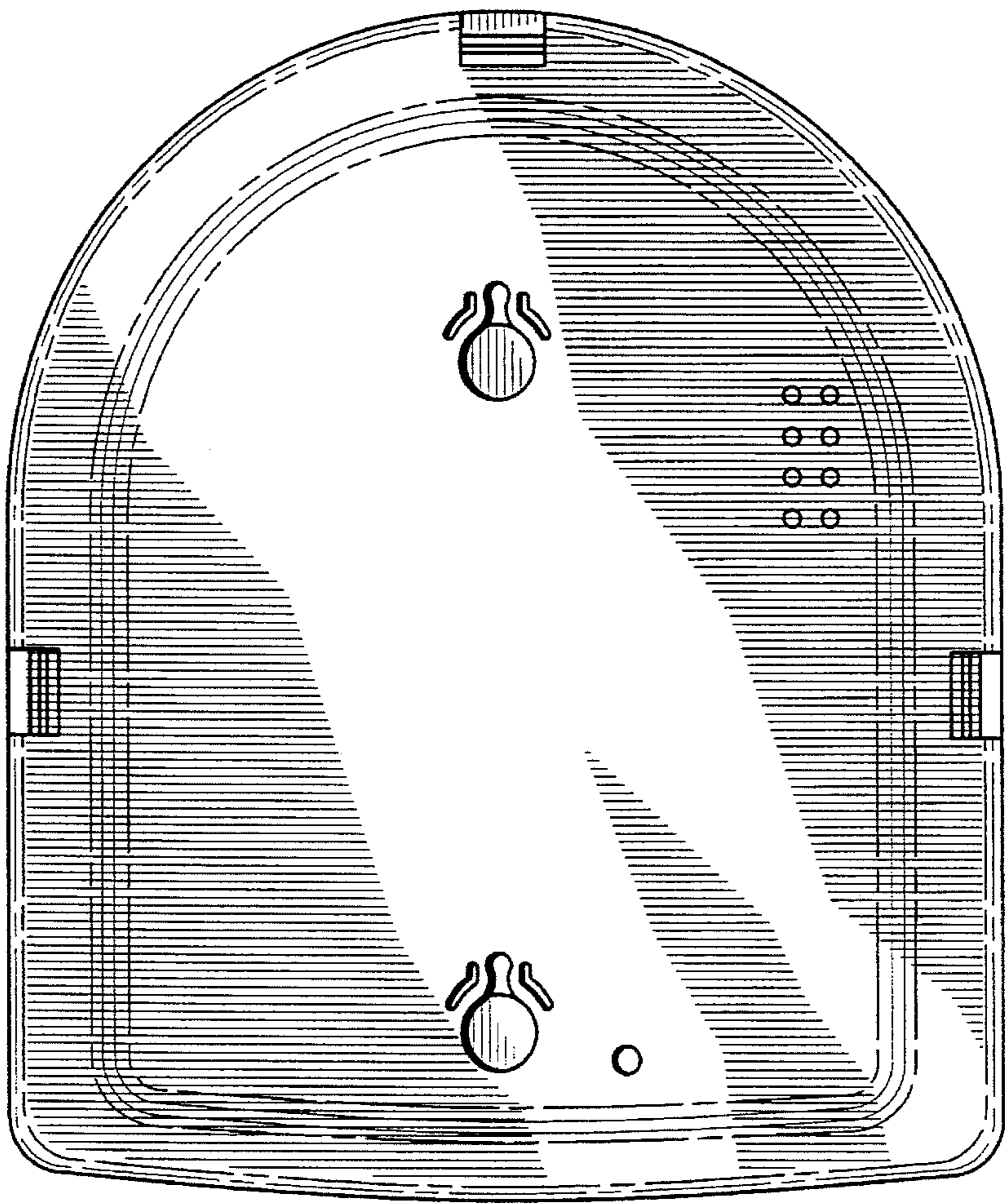


FIG. 4