



US00D368228S

United States Patent [19] Yu

[11] Patent Number: **Des. 368,228**

[45] Date of Patent: ****Mar. 26, 1996**

[54] **CLOCK**

[76] Inventor: **Su-Yuan Yu**, 58, Ma Yuan West St.,
Taichung, Taiwan

[**] Term: **14 Years**

[21] Appl. No.: **30,205**

[22] Filed: **Oct. 24, 1994**

[52] U.S. Cl. **D10/6**

[58] Field of Search D10/1-40, 122-132;
368/276-277, 285, 316-317

[56] **References Cited**

U.S. PATENT DOCUMENTS

D. 297,512	9/1988	Kowalenko	D10/126
4,878,867	11/1989	Dworman	D99/37 X
5,069,645	12/1991	Dworman	D99/37 X

OTHER PUBLICATIONS

Ward's Cat. 1991—(R)—Pencil Lamps & Crayon Access.
Levitz Furn.—Ad Supplement—p. A-2—Crayon Armoire.
Illustrations for Holidays & Spec. Occasions by Sibbett—

“Apple” Frame and Pencil on cover & on inner p. 20.
W. Bell Catalog—1985—p. 123—Crayon Watches at bot-
tom-left.

Primary Examiner—Nelson C. Holtje

[57] **CLAIM**

The ornamental design for a clock, as shown and described.

DESCRIPTION

FIG. 1 is a perspective view of a clock showing my new design;

FIG. 2 is a front elevational view thereof;

FIG. 3 is a rear elevational view thereof;

FIG. 4 is a top plan view thereof;

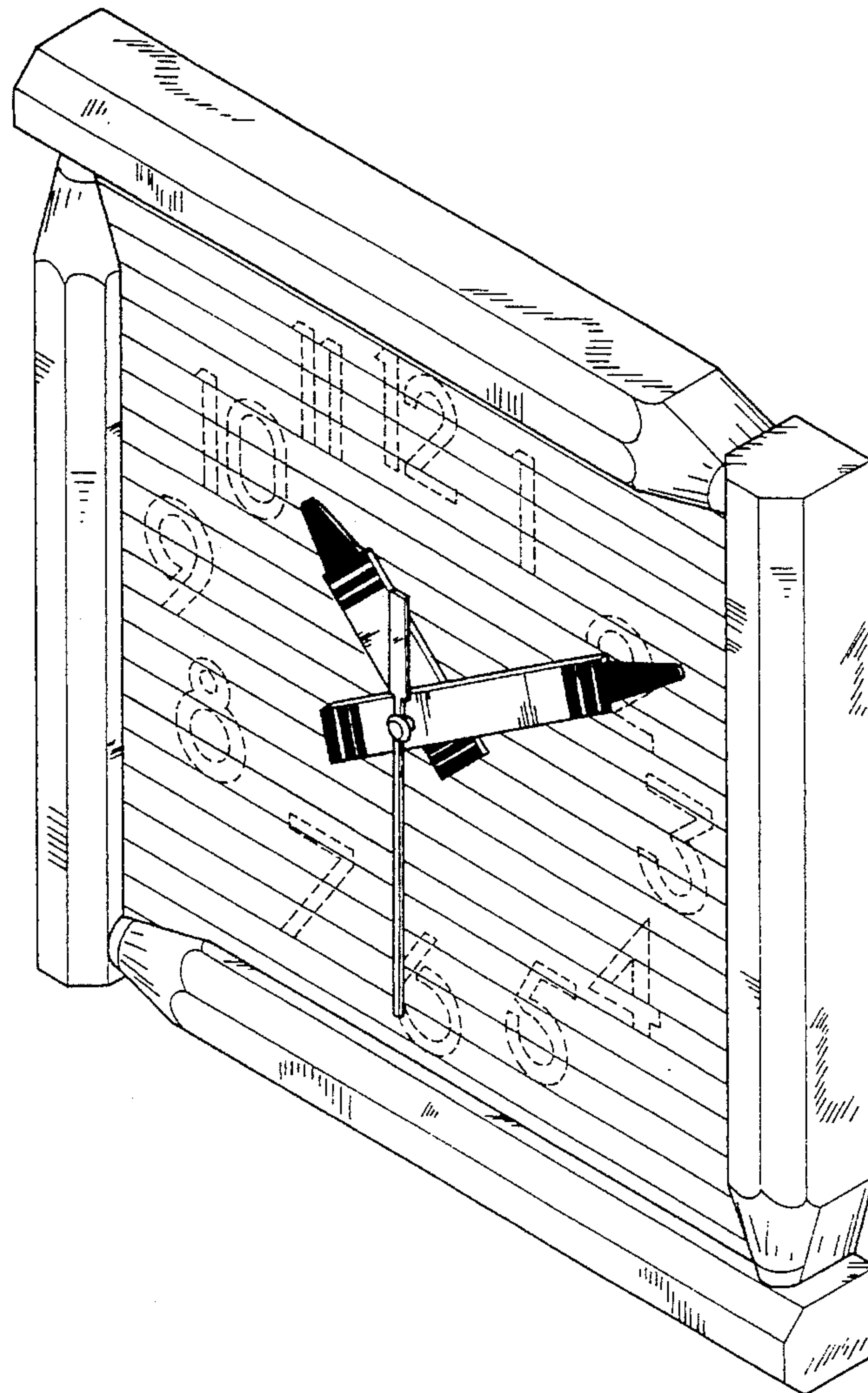
FIG. 5 is a bottom plan view thereof;

FIG. 6 is a left side elevational view thereof; and,

FIG. 7 is a right side elevational view thereof.

The broken line numerals in FIGS. 1 and 2 are for illustrative purposes only and form no part of the claimed design.

1 Claim, 5 Drawing Sheets



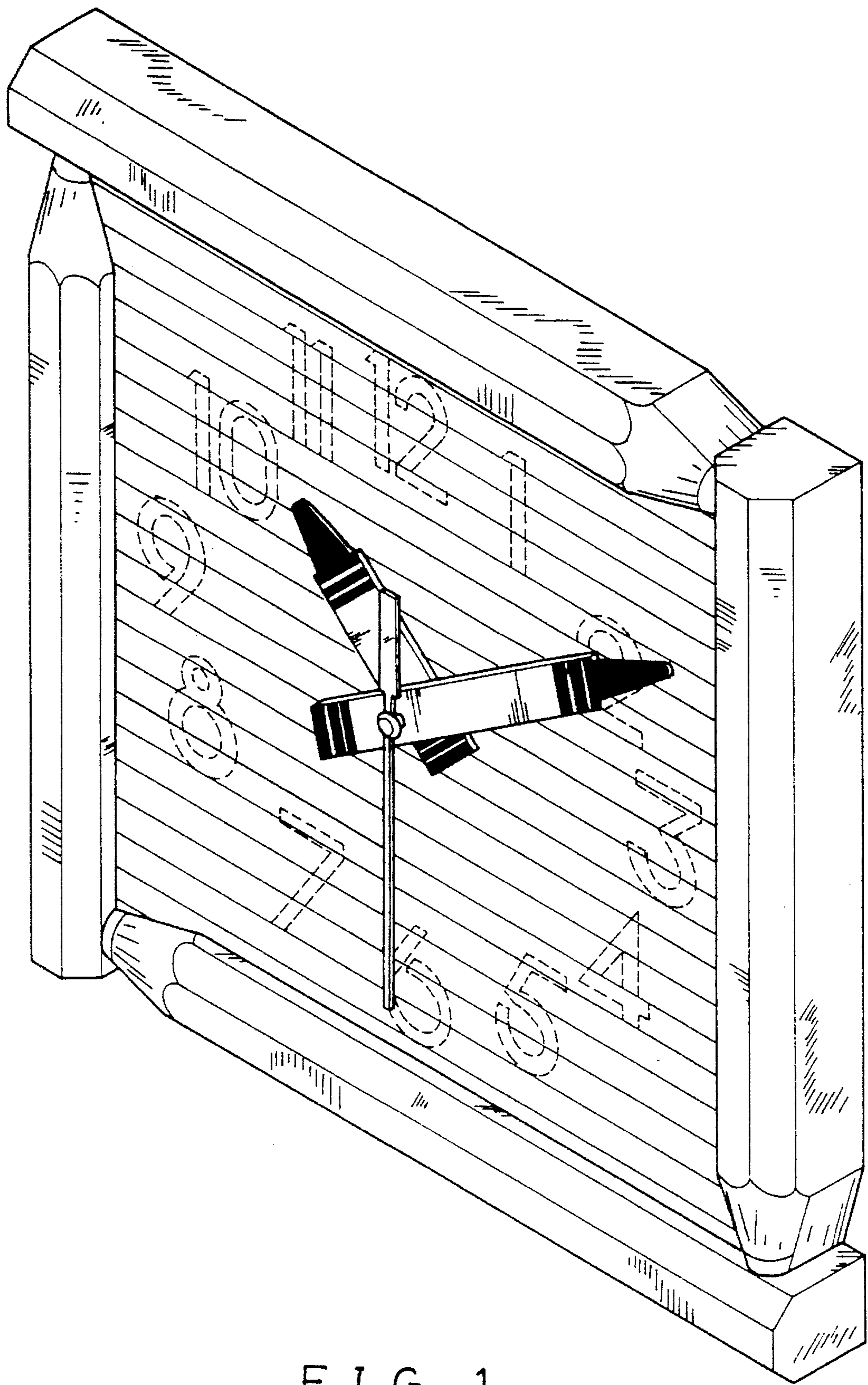


FIG. 1

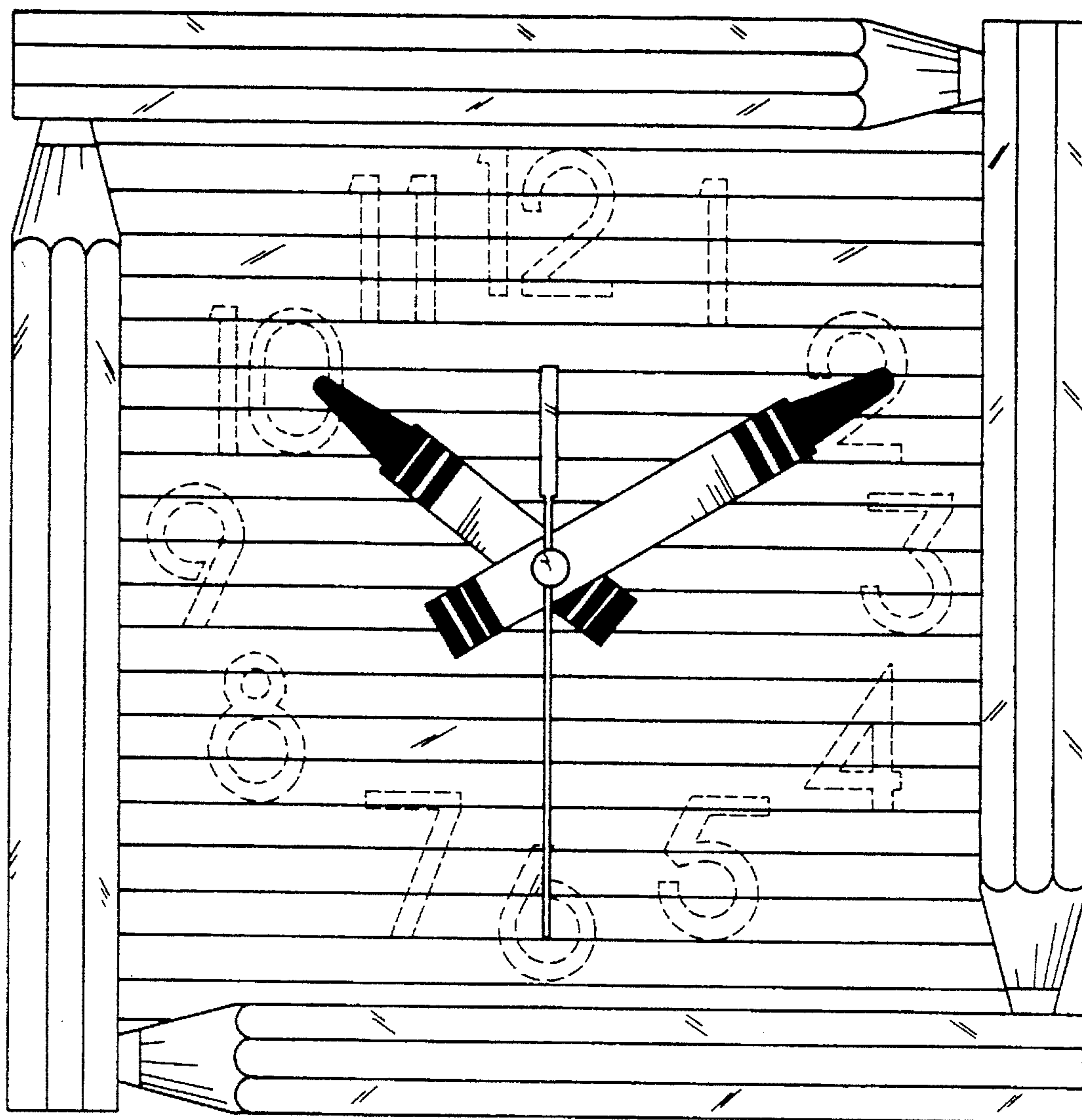


FIG. 2

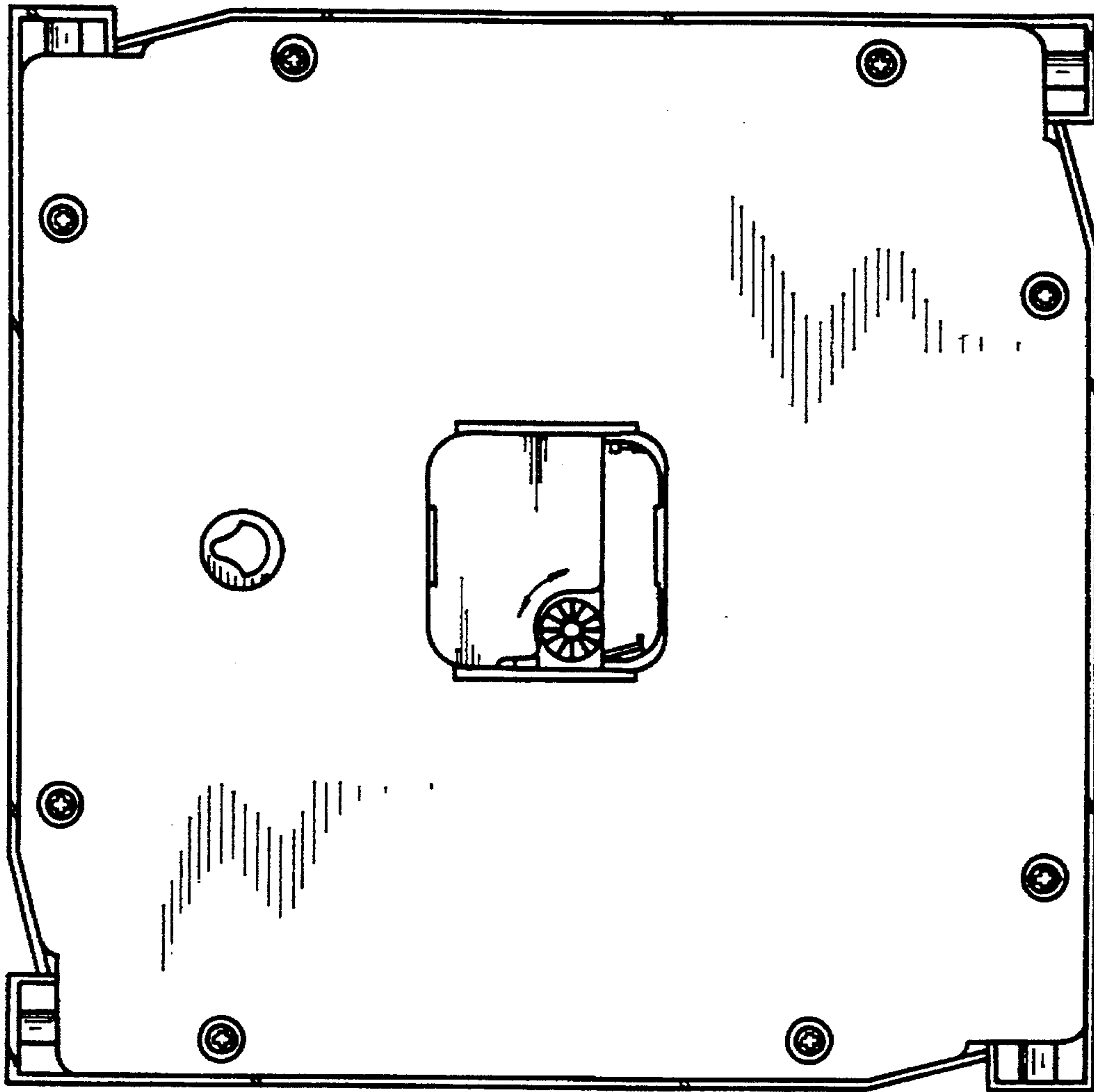


FIG. 3

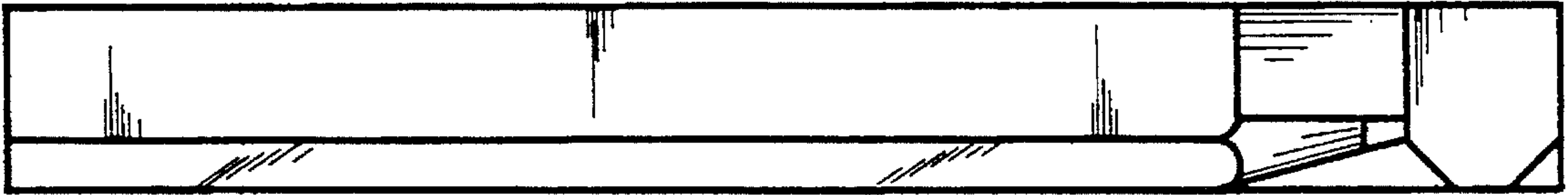


FIG. 4

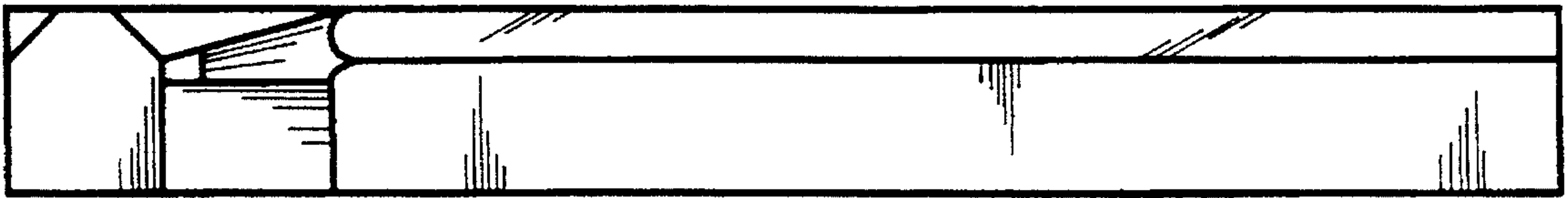


FIG. 5

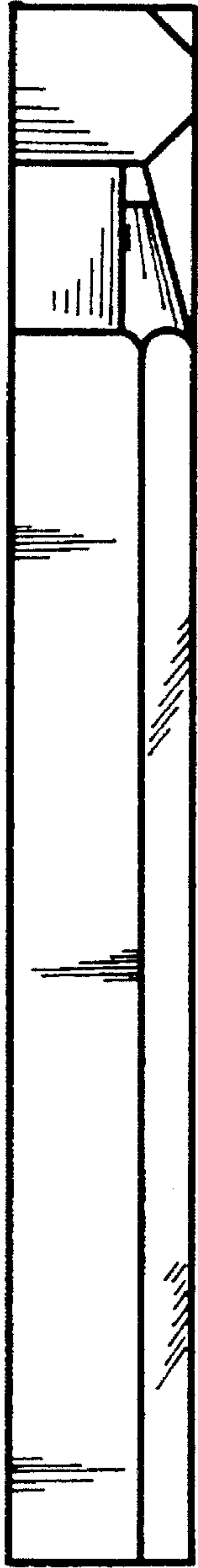


FIG. 6

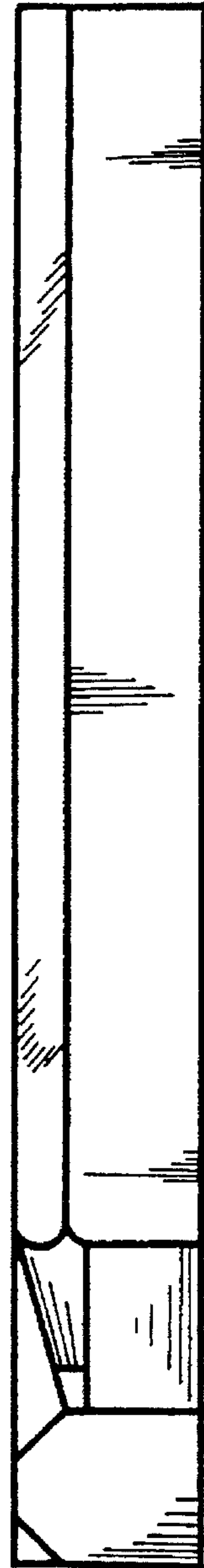


FIG. 7