



US00D368224S

United States Patent [19] Arndt

[11] Patent Number: **Des. 368,224**

[45] Date of Patent: ****Mar. 26, 1996**

[54] **LID FOR CONTAINERS FOR WASTE FILTERS**

[76] Inventor: **Peter L. Arndt**, 10 Spruce St., Hazlet, N.J. 07730

[**] Term: **14 Years**

[21] Appl. No.: **27,773**

[22] Filed: **Aug. 31, 1994**

[52] U.S. Cl. **D9/436**

[58] Field of Search D9/434-436, 443, D9/447, 449-450, 454, 499; 215/100 A, 228; 217/4 R, 76; 220/360, 768; 141/97-98, 364, 392

[56] **References Cited**

U.S. PATENT DOCUMENTS

D. 280,710	9/1985	Skylvik	D9/434
D. 331,825	12/1992	Osgar et al.	D9/503
1,043,203	11/1912	Christian	217/76
2,881,776	4/1959	Wrage	220/768
2,963,204	12/1960	Pottle	215/100 A
2,998,893	9/1961	Thomas	215/228
3,388,842	6/1968	Costa	D9/447 X
4,045,069	8/1977	Fife	215/100 A
4,202,462	5/1980	Imber	D9/454 X

5,080,149	1/1992	Peoples .	
5,184,938	9/1992	Morgan, Jr.	220/360
5,188,156	2/1993	Littlepage .	
5,190,085	3/1993	Dietzen .	
5,294,018	3/1994	Boucher	215/100 A

Primary Examiner—Alan P. Douglas
Assistant Examiner—Robert M. Spear
Attorney, Agent, or Firm—Terry M. Gernstein

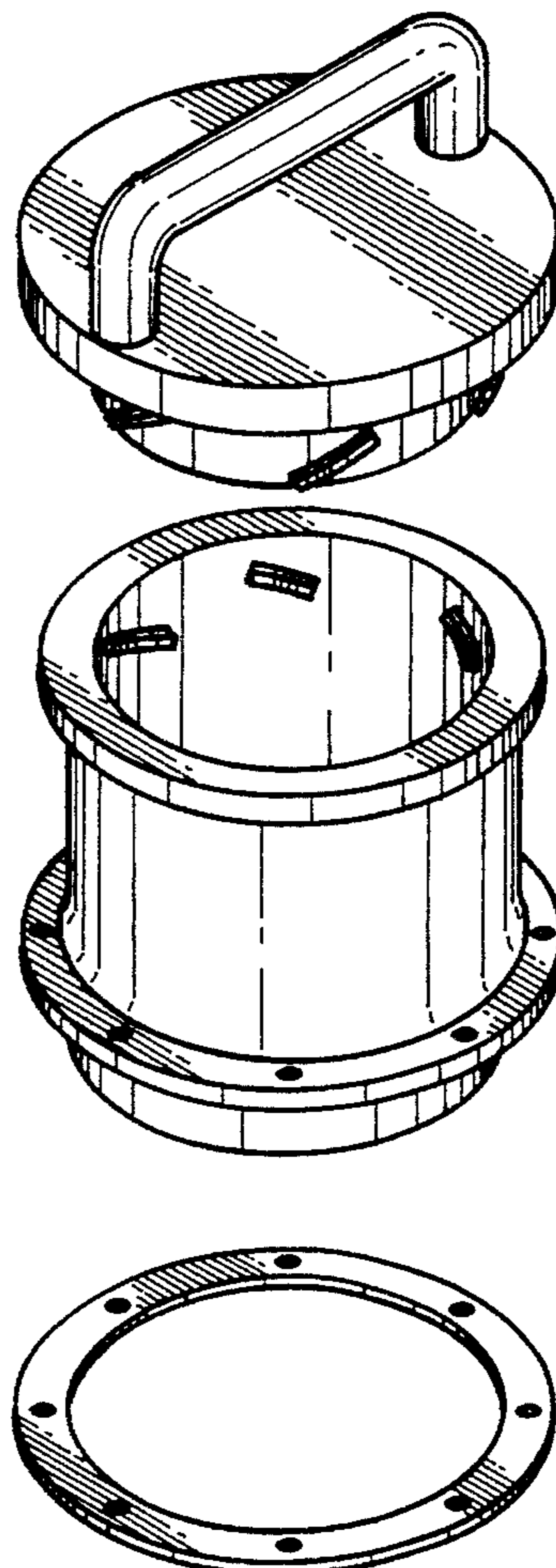
[57] **CLAIM**

The ornamental design for a lid for containers for waste filters, as shown and described.

DESCRIPTION

FIG. 1 is an exploded front, top and side perspective view of the lid for containers for waste filters showing my new design;
FIG. 2 is a front elevational view thereof in the assembled condition, the rear being a mirror image of the front shown in FIG. 2;
FIG. 3 is a side elevational view thereof, the side opposite being a mirror image of the side shown in FIG. 3;
FIG. 4 is a top plan view thereof;
FIG. 5 is a bottom plan view thereof; and,
FIG. 6 is an exploded perspective view thereof.

1 Claim, 3 Drawing Sheets



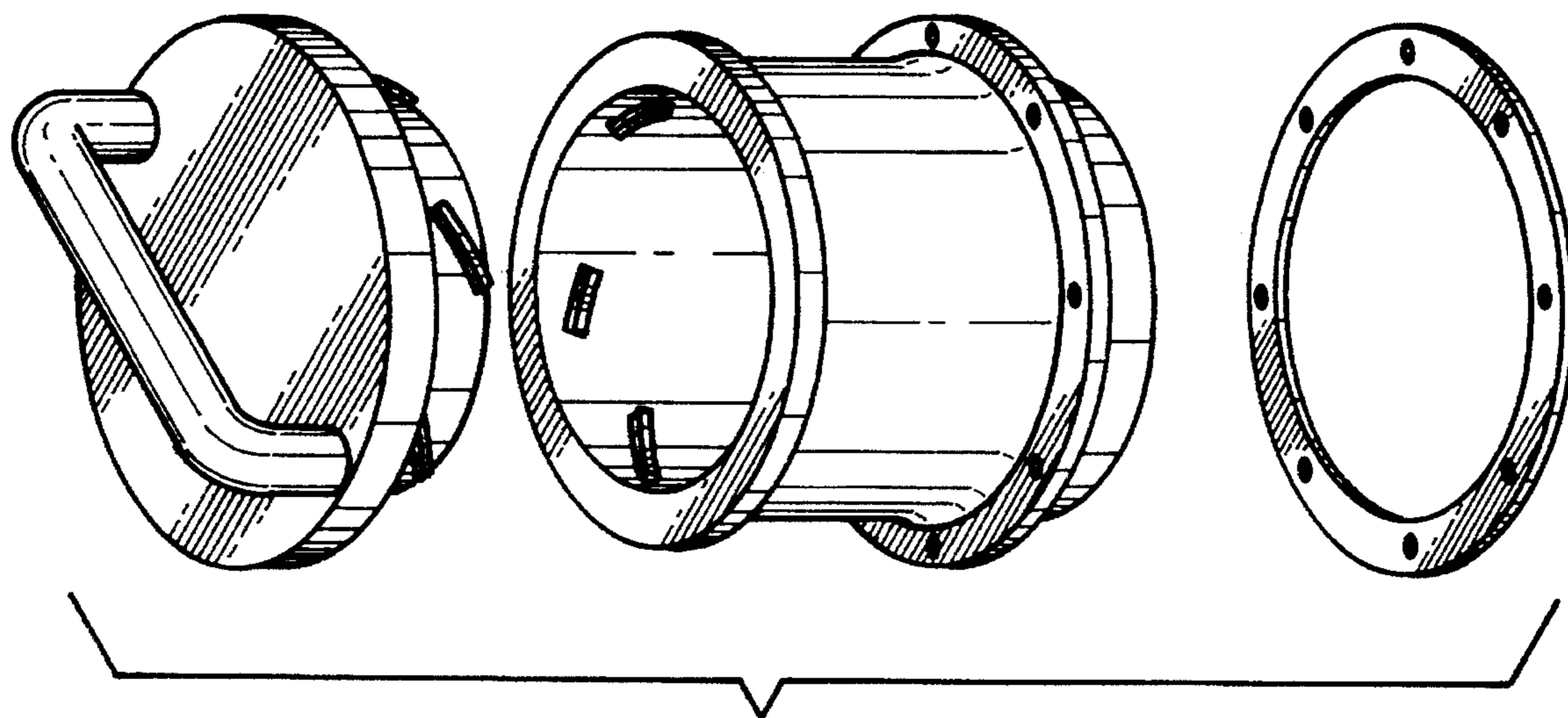


FIG.1

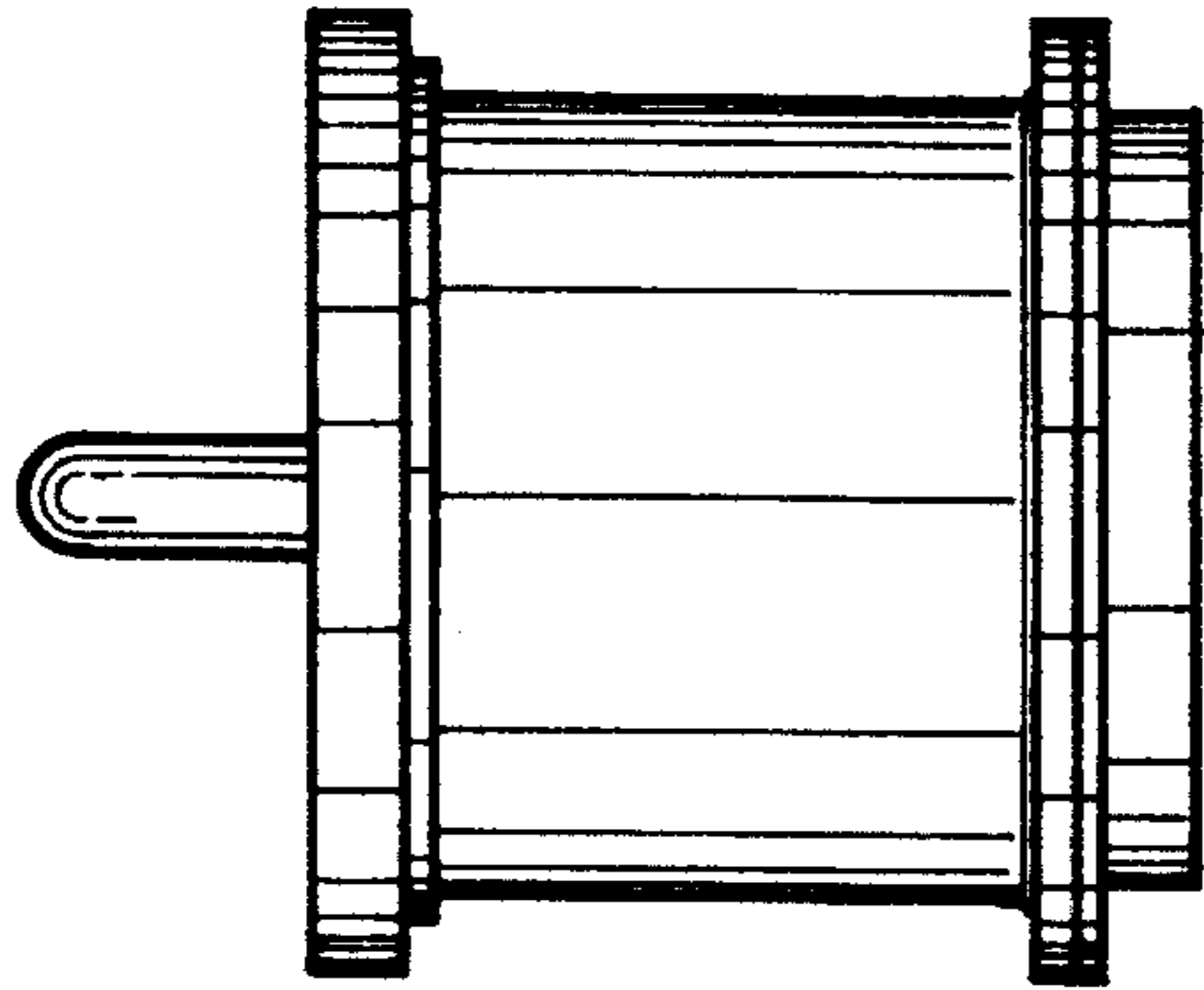


FIG. 2

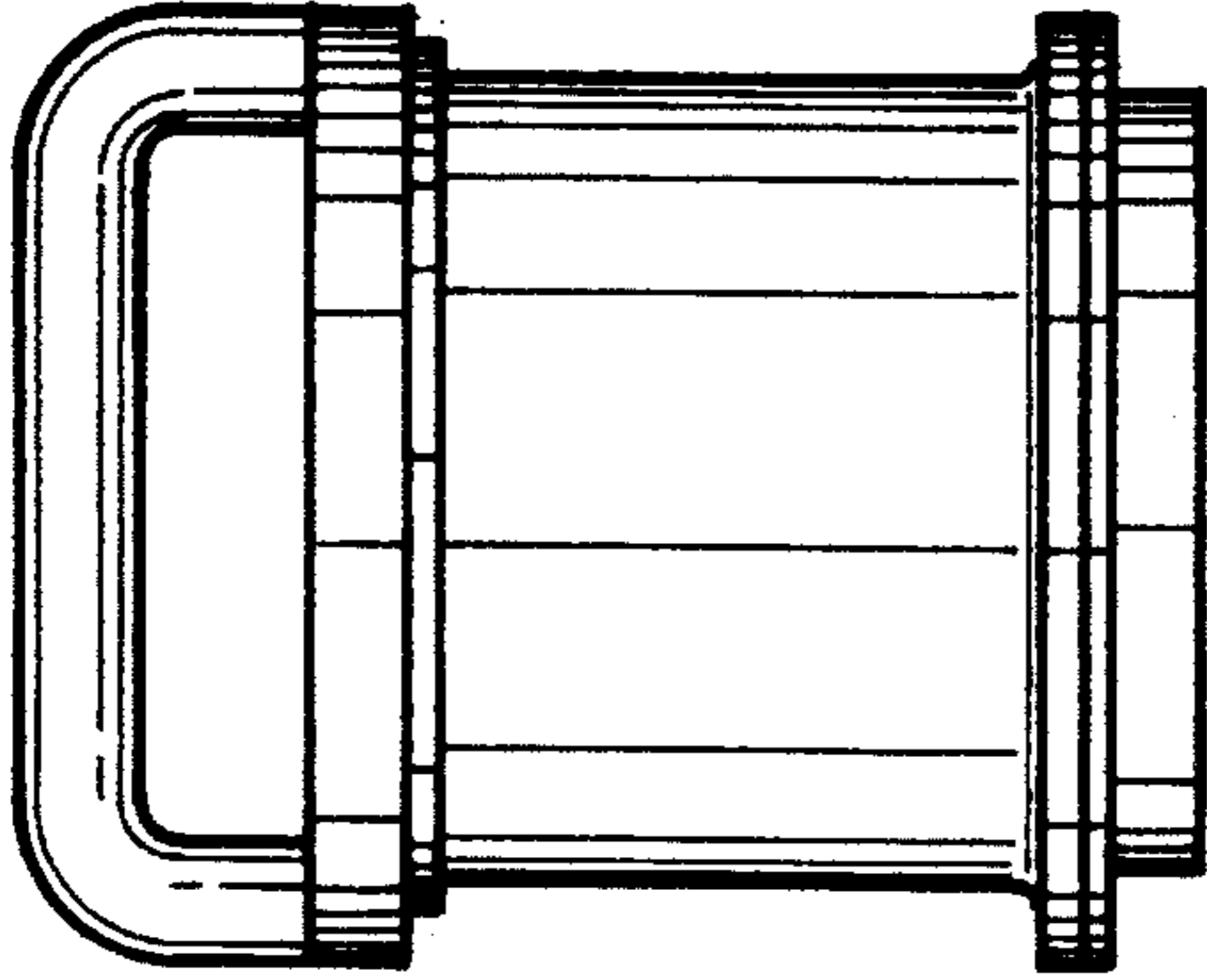


FIG. 3

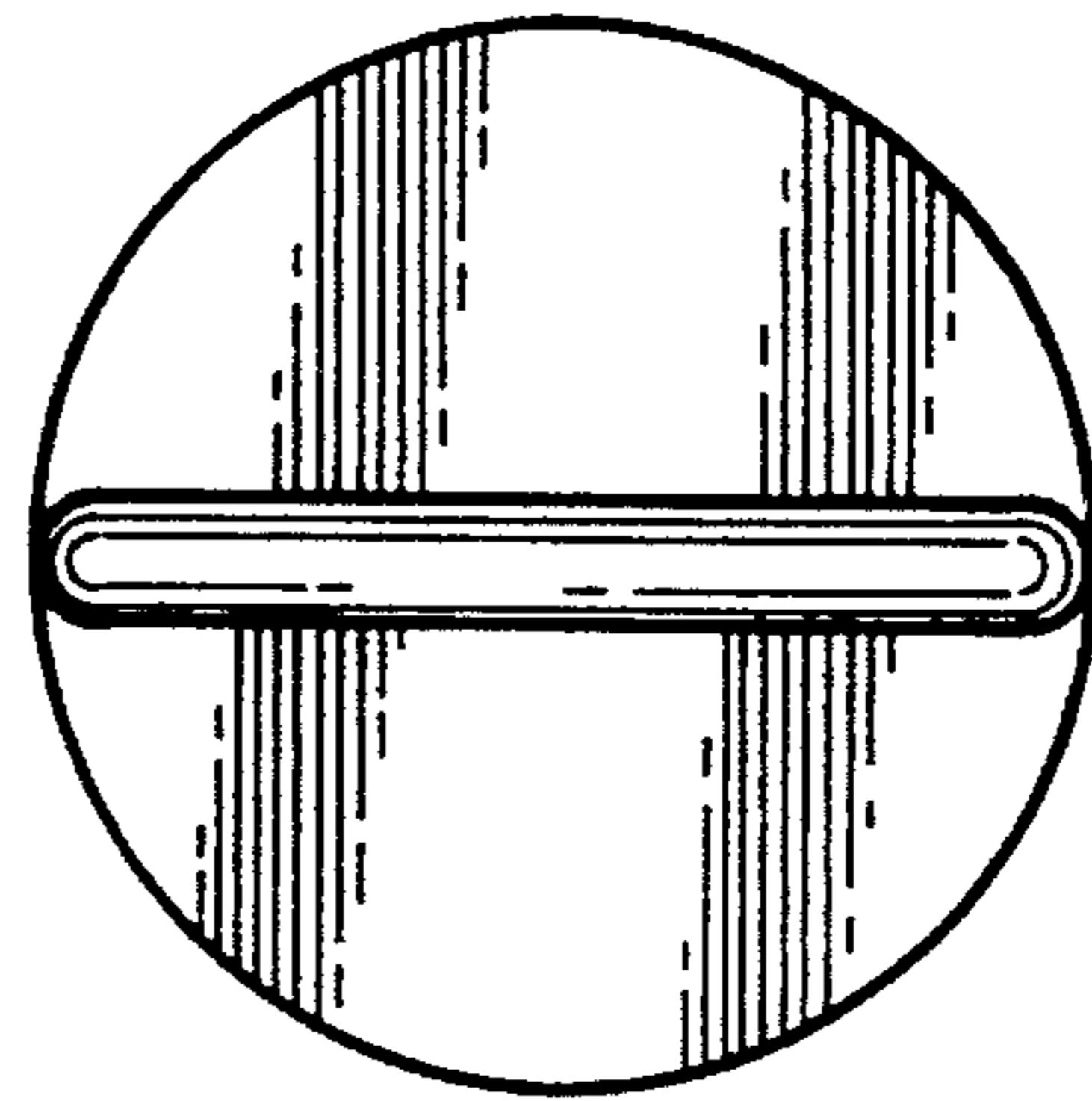


FIG. 4

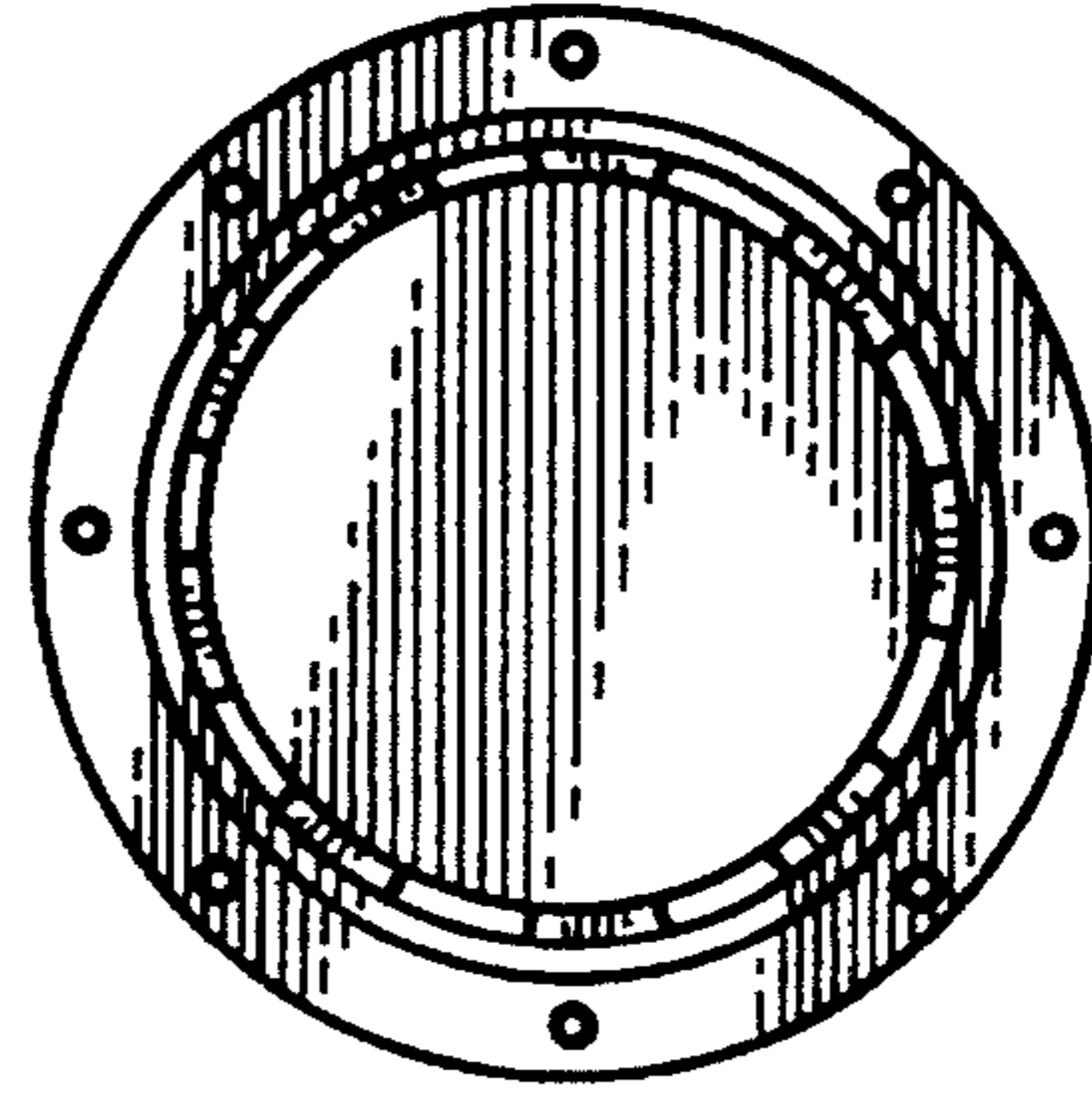


FIG. 5

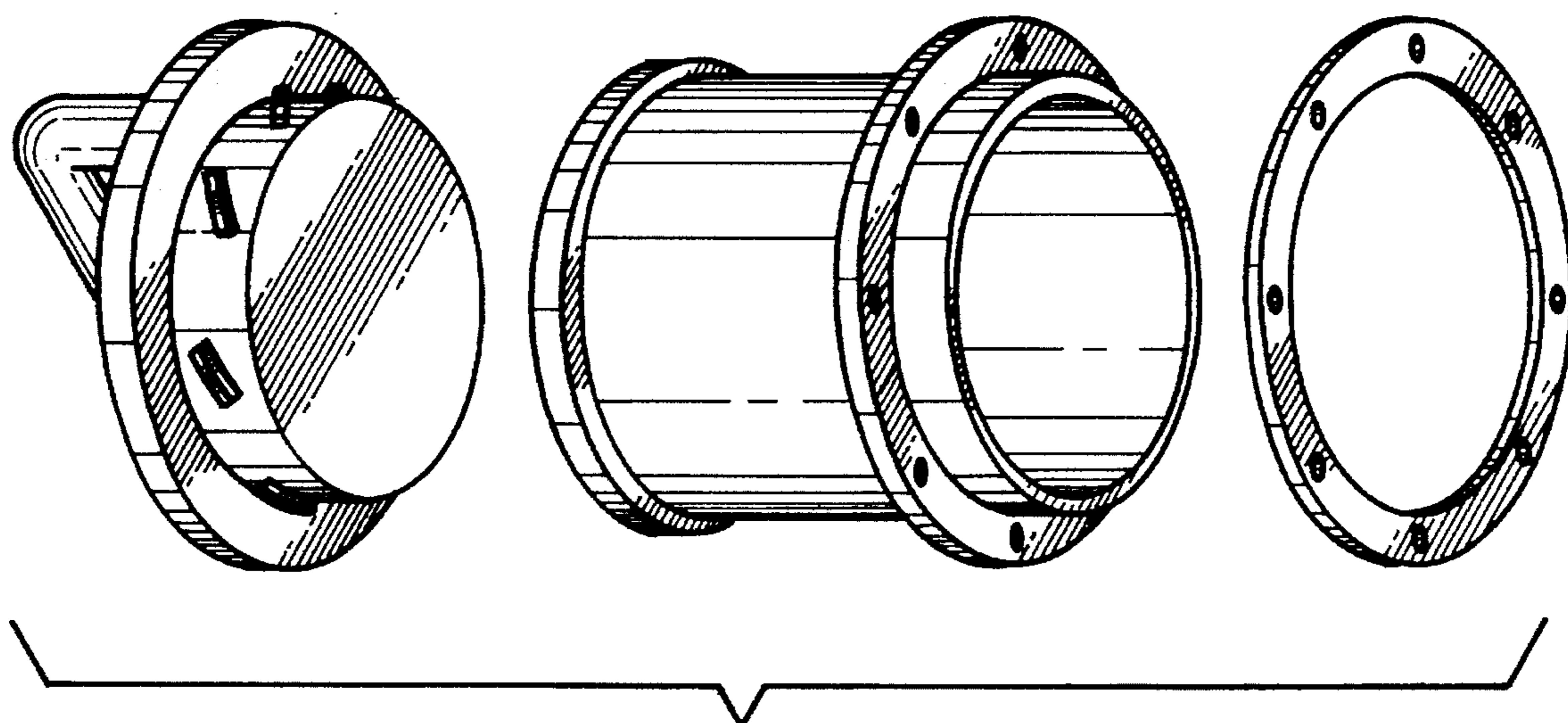


FIG. 6